



US00D953397S

(12) **United States Design Patent** (10) **Patent No.:** **US D953,397 S**  
**Bublitz et al.** (45) **Date of Patent:** **\*\* May 31, 2022**

- (54) **SOLDERING STATION**
- (71) Applicant: **Apex Brands, Inc.**, Apex, NC (US)
- (72) Inventors: **Scott Bublitz**, Denver, NC (US);  
**Pratik Bendale**, Charlotte, NC (US);  
**Dawn Huston**, Leesville, SC (US);  
**Brian Butler**, Charlotte, NC (US)
- (73) Assignee: **APEX BRANDS, INC.**, Apex, NC (US)
- (\*\*) Term: **15 Years**
- (21) Appl. No.: **29/819,275**
- (22) Filed: **Dec. 14, 2021**

D530,349 S *	10/2006	Ishihara	.....	D15/144.2
D550,731 S *	9/2007	Ishihara	.....	D15/144.2
D569,884 S *	5/2008	Shu	.....	D15/144
D620,328 S *	7/2010	Masaki	.....	D8/30
D623,206 S *	9/2010	Mittmann	.....	D15/144
D656,525 S *	3/2012	Mochizuki	.....	D15/144.2
D703,715 S *	4/2014	Kita	.....	D15/144
D740,339 S *	10/2015	Teraoka	.....	D15/144.2
D762,254 S *	7/2016	Kita	.....	D15/144.2
D762,754 S *	8/2016	Kita	.....	D15/144.2
D780,241 S *	2/2017	Teraoka	.....	D15/144.2
D790,613 S *	6/2017	Fischer	.....	D15/144.2
D829,790 S *	10/2018	Gou	.....	D15/144
D829,791 S *	10/2018	Fischer	.....	D15/144.2
D832,901 S *	11/2018	Gou	.....	D15/144
D879,849 S *	3/2020	Kita	.....	D15/144.2
D888,789 S *	6/2020	Gou	.....	D15/144.2
D911,403 S *	2/2021	Gou	.....	D15/144.2
D941,898 S *	1/2022	Bublitz	.....	D15/144.2

(Continued)

**Related U.S. Application Data**

- (63) Continuation-in-part of application No. 29/709,762, filed on Oct. 17, 2019, now Pat. No. Des. 941,898.
- (51) **LOC (13) Cl.** ..... **15-09**
- (52) **U.S. Cl.**  
USPC ..... **D15/144.2**
- (58) **Field of Classification Search**  
USPC ..... D8/29.1, 29.2, 30; D10/78; D14/126;  
D15/122, 144, 144.1, 144.2  
CPC ..... B23K 3/08; B23K 3/033; B23K 3/0369;  
G05D 23/2401  
See application file for complete search history.

(56) **References Cited**

**U.S. PATENT DOCUMENTS**

D274,882 S *	7/1984	Rittmann	.....	D15/144
D398,016 S *	9/1998	Neef	.....	D15/144.2
D415,435 S *	10/1999	Yoshimura	.....	D10/50
D428,427 S *	7/2000	Neef	.....	D15/144.2
D490,448 S *	5/2004	Ishihara	.....	D15/144

*Primary Examiner* — Patricia A Palasik

(74) *Attorney, Agent, or Firm* — Burr & Forman LLP

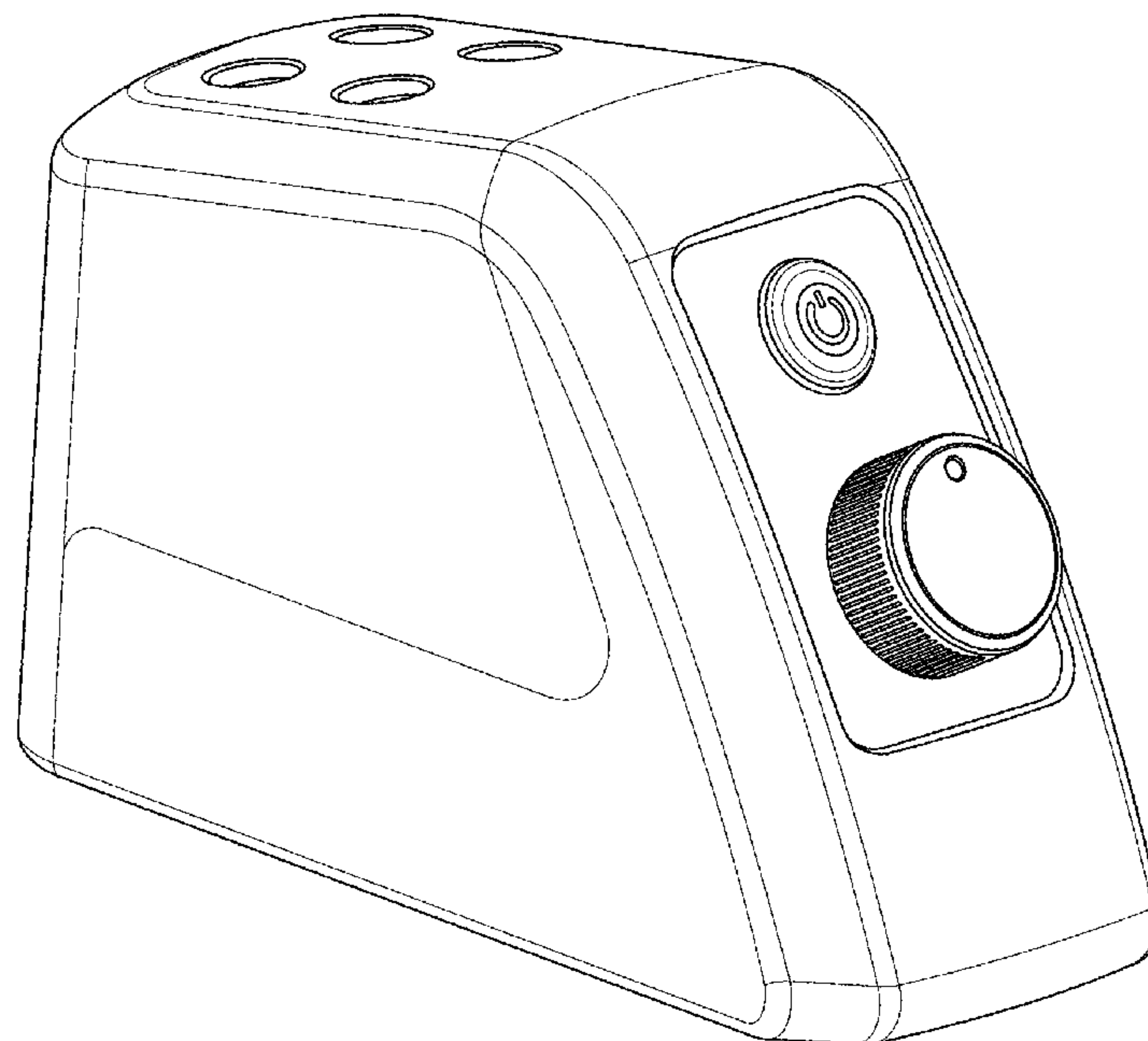
(57) **CLAIM**

The ornamental design for the soldering station, as shown and described.

**DESCRIPTION**

FIG. 1 is a perspective view of a soldering station in accordance with another embodiment of the present invention;  
 FIG. 2 is a front view of the soldering station of FIG. 1;  
 FIG. 3 is a rear view of the soldering station of FIG. 1;  
 FIG. 4 is a right side view of the soldering station of FIG. 1;  
 FIG. 5 is a left side view of the soldering station of FIG. 1;  
 FIG. 6 is a top view of the soldering station of FIG. 1; and,  
 FIG. 7 is a bottom view of the soldering station of FIG. 1.

**1 Claim, 7 Drawing Sheets**



(56)

**References Cited**

U.S. PATENT DOCUMENTS

2005/0263512 A1\* 12/2005 Fosbinder ..... B23K 9/1087  
219/132  
2015/0083707 A1\* 3/2015 Miyazaki ..... B23K 3/03  
219/238  
2016/0175959 A1\* 6/2016 Mochizuki ..... B23K 3/029  
228/20.5

\* cited by examiner

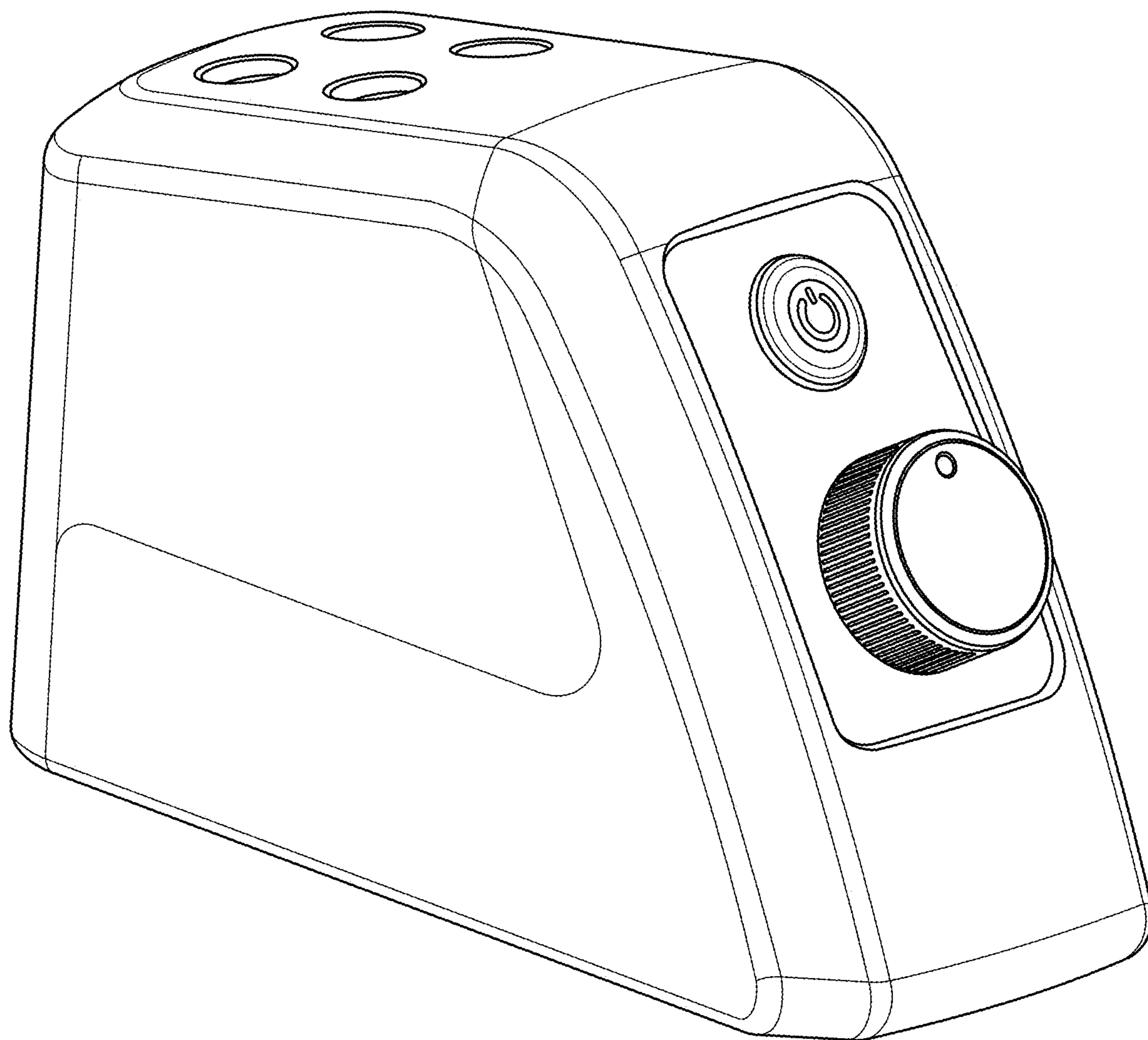


FIG. 1

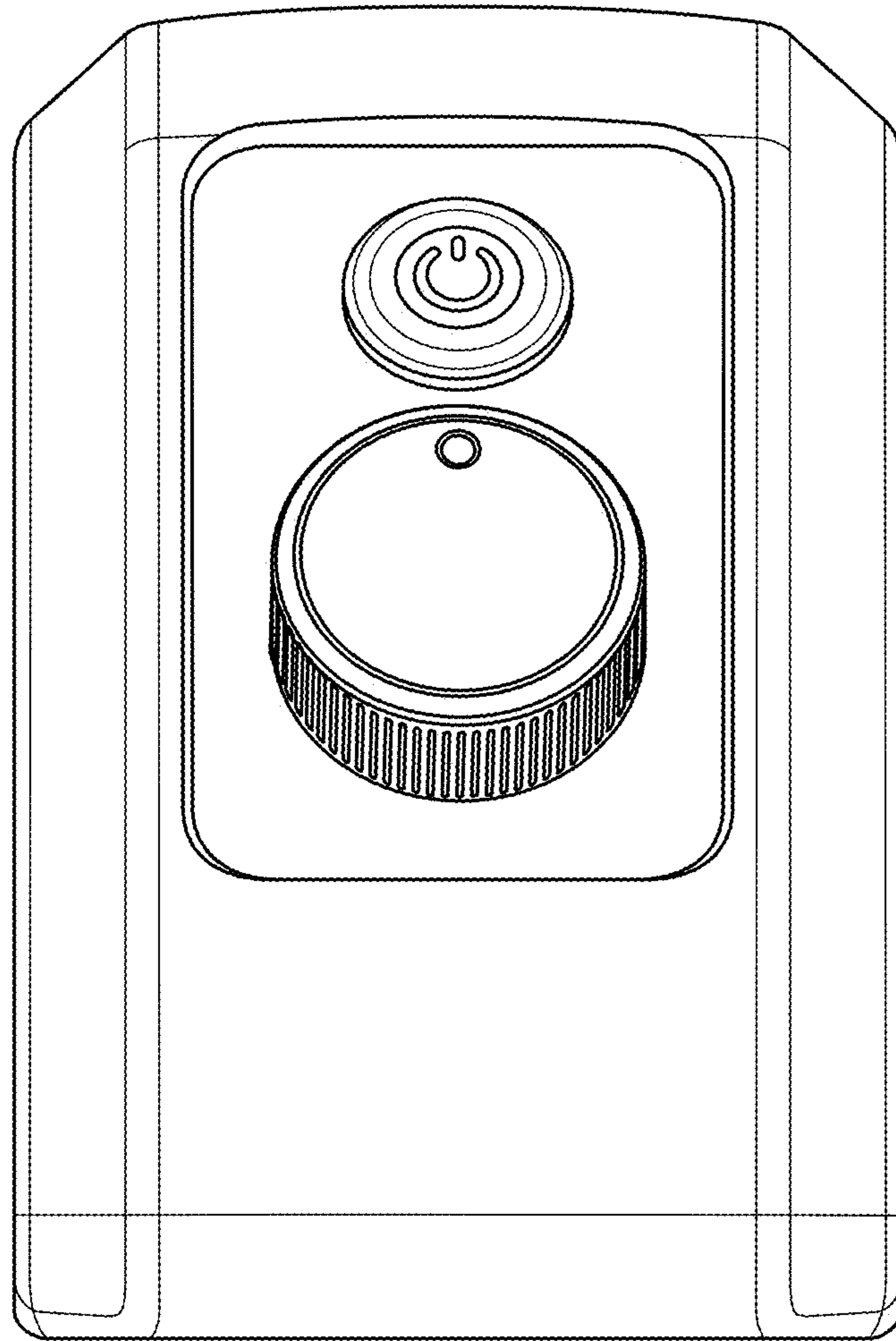


FIG. 2

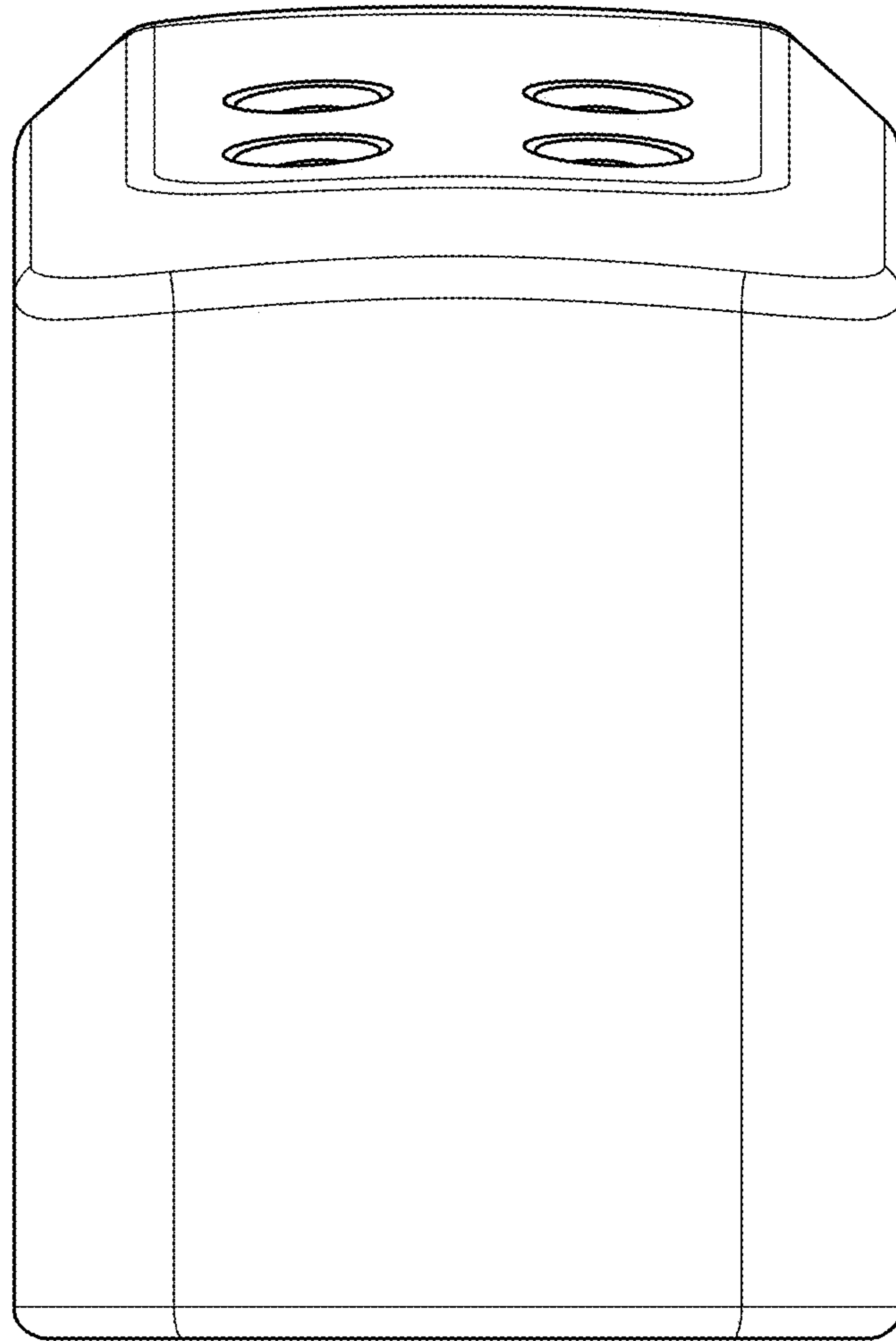


FIG. 3



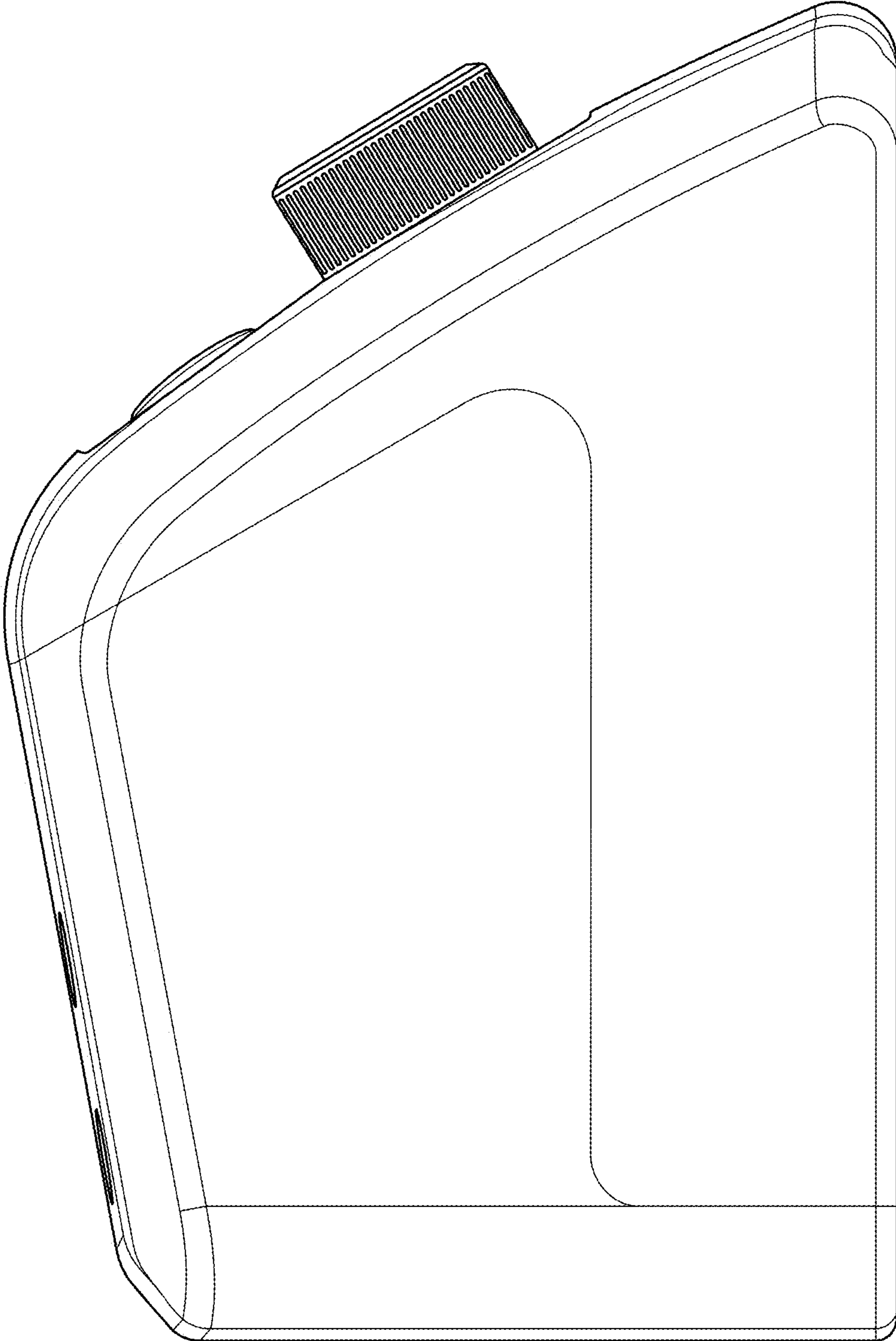


FIG. 4

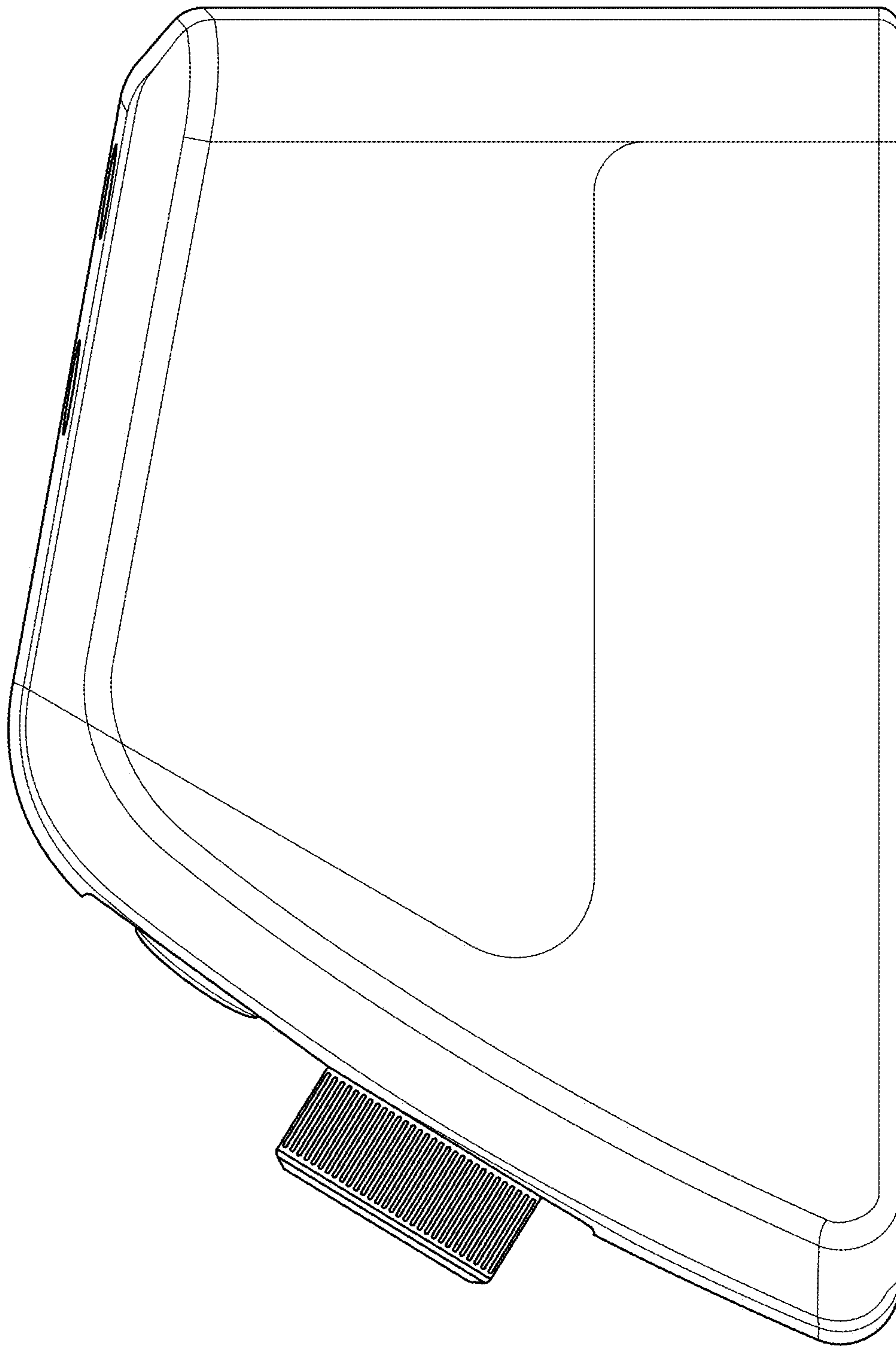


FIG. 5

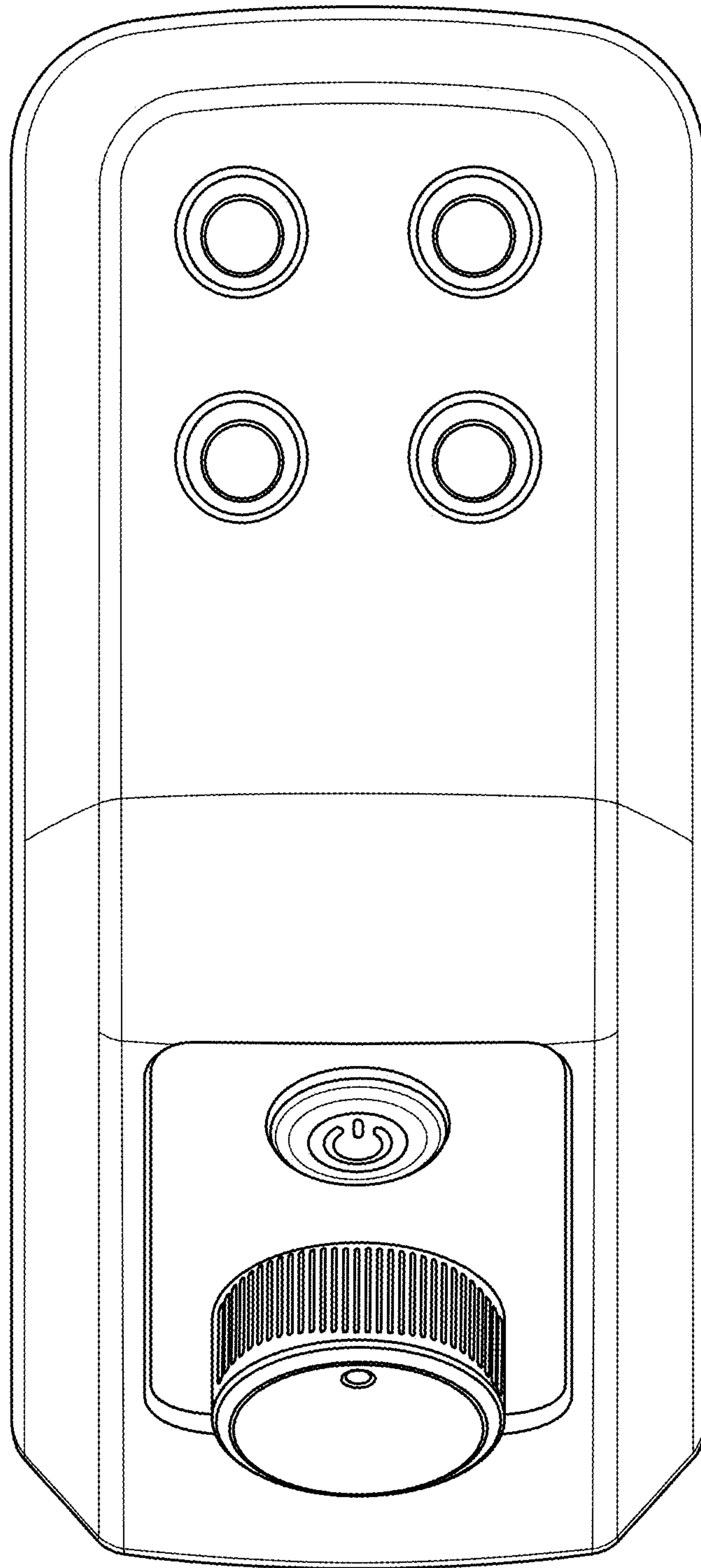


FIG. 6



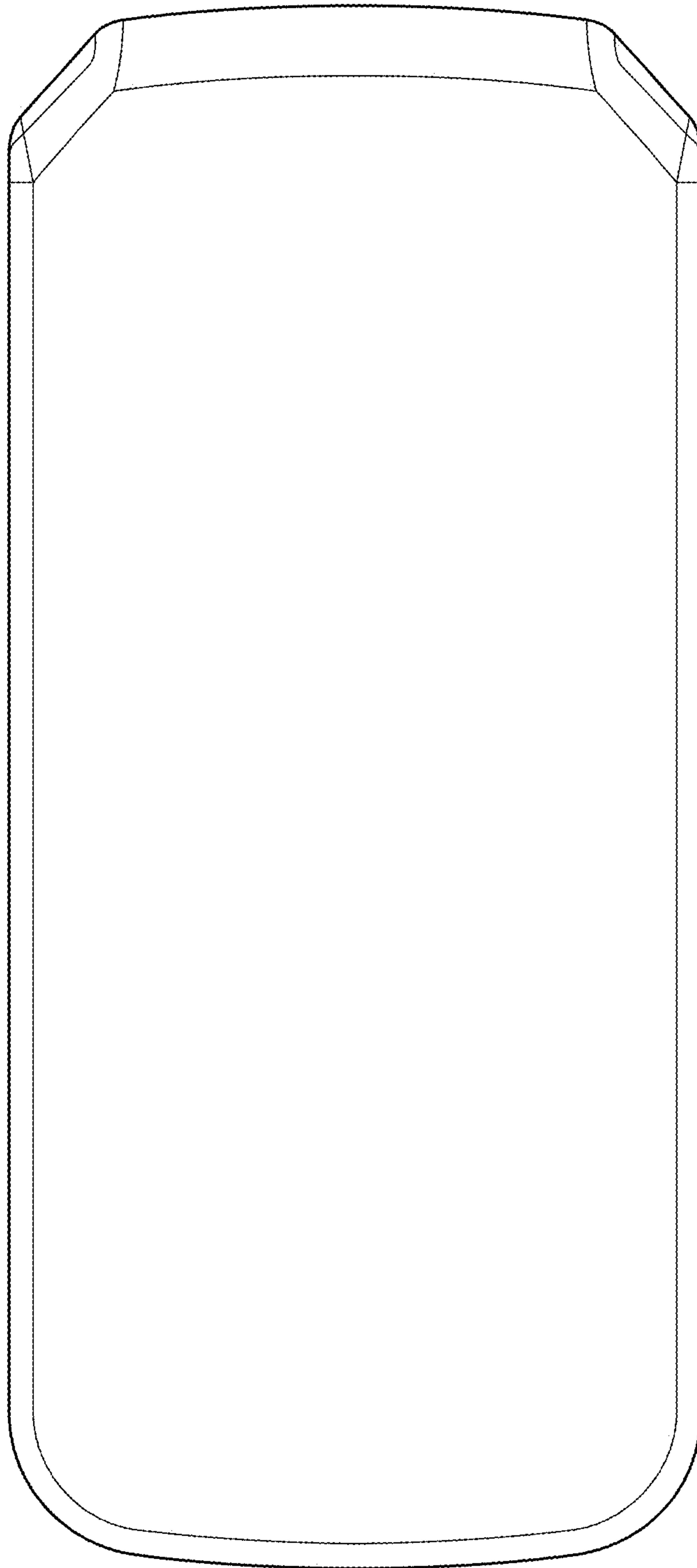


FIG. 7

UNITED STATES PATENT AND TRADEMARK OFFICE  
**CERTIFICATE OF CORRECTION**

PATENT NO. : D953,397 S  
APPLICATION NO. : 29/819275  
DATED : May 31, 2022  
INVENTOR(S) : Bublitz et al.

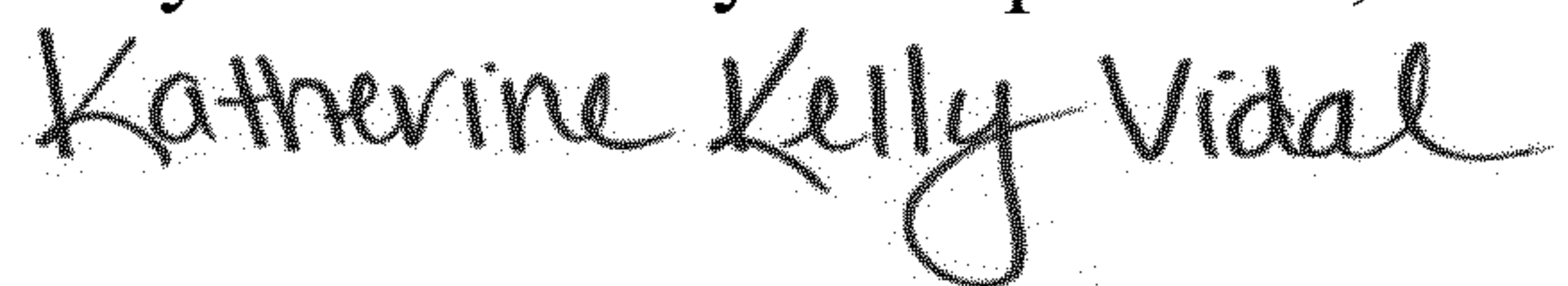
Page 1 of 1

It is certified that error appears in the above-identified patent and that said Letters Patent is hereby corrected as shown below:

On the Title Page

Item (63), "Continuation-in-part of application No. 29/709,762" should read --Division of application No. 29/709,762--

Signed and Sealed this  
Twenty-seventh Day of September, 2022



Katherine Kelly Vidal  
*Director of the United States Patent and Trademark Office*