



US00D953396S

(12) **United States Design Patent**
Shin et al.

(10) **Patent No.:** **US D953,396 S**

(45) **Date of Patent:** **** May 31, 2022**

(54) **GROOVING INSERT FOR MACHINE TOOLS FOR METALWORKING**

(71) Applicant: **KORLOY INC.**, Seoul (KR)

(72) Inventors: **Sung Guen Shin**, Cheongju-si (KR);
Byung Hoon Min, Cheongju-si (KR);
Young Heum Kim, Cheongju-si (KR)

(**) Term: **15 Years**

(21) Appl. No.: **35/512,834**

(22) Filed: **Sep. 17, 2021**

(80) **Hague Agreement Data**

Int. Filing Date: **Sep. 17, 2021**

Int. Reg. No.: **DM/216917**

Int. Reg. Date: **Sep. 17, 2021**

Int. Reg. Pub. Date: **Oct. 29, 2021**

(30) **Foreign Application Priority Data**

Apr. 29, 2021 (KR) 30-2021-0020893

(51) **LOC (13) Cl.** **15-09**

(52) **U.S. Cl.**

USPC **D15/139**

(58) **Field of Classification Search**

USPC D15/122, 127, 130, 131, 138, 139; D8/7,
D8/9, 81

CPC B23B 27/148; B23B 27/145; B23B
2260/092; B23B 2226/315; C23C
16/0254; C23C 16/274

See application file for complete search history.

(56) **References Cited**

U.S. PATENT DOCUMENTS

D278,716 S * 5/1985 Pano D15/139

D284,011 S * 5/1986 Pano D15/139

4,778,311 A * 10/1988 Niemi B23B 27/045
D15/139
4,844,668 A * 7/1989 Pettersson B23B 27/045
407/116
D306,032 S * 2/1990 Mihic D15/139
5,076,739 A * 12/1991 Pano B23B 27/045
D15/139
D329,439 S * 9/1992 Gustafsson D15/139
D329,440 S * 9/1992 Gustafsson D15/139
D329,858 S * 9/1992 Gustafsson D15/139
D329,859 S * 9/1992 Gustafsson D15/139
D330,033 S * 10/1992 Gustafsson D15/139
D330,381 S * 10/1992 Gustafsson D15/139
D330,901 S * 11/1992 Gustafsson D15/139
D343,400 S * 1/1994 Lindstedt D15/139
D350,549 S * 9/1994 Lindstedt D15/139
5,511,911 A * 4/1996 Katbi B23B 27/045
407/116
5,676,495 A * 10/1997 Katbi B23B 27/045
407/115
5,975,812 A * 11/1999 Friedman B23B 27/045
407/115
D442,195 S * 5/2001 Hansson D15/139
D442,196 S * 5/2001 Hansson D15/139
6,238,147 B1 * 5/2001 Tagtstrom B23B 27/045
407/116
D443,284 S * 6/2001 Hansson D15/139

(Continued)

Primary Examiner — Mojtaba Tehrani

(57) **CLAIM**

The ornamental design for a grooving insert for machine tools for metalworking, as shown and described.

DESCRIPTION

1. Grooving insert for machine tools for metalworking

1.1 : Perspective

1.2 : Front

1.3 : Back

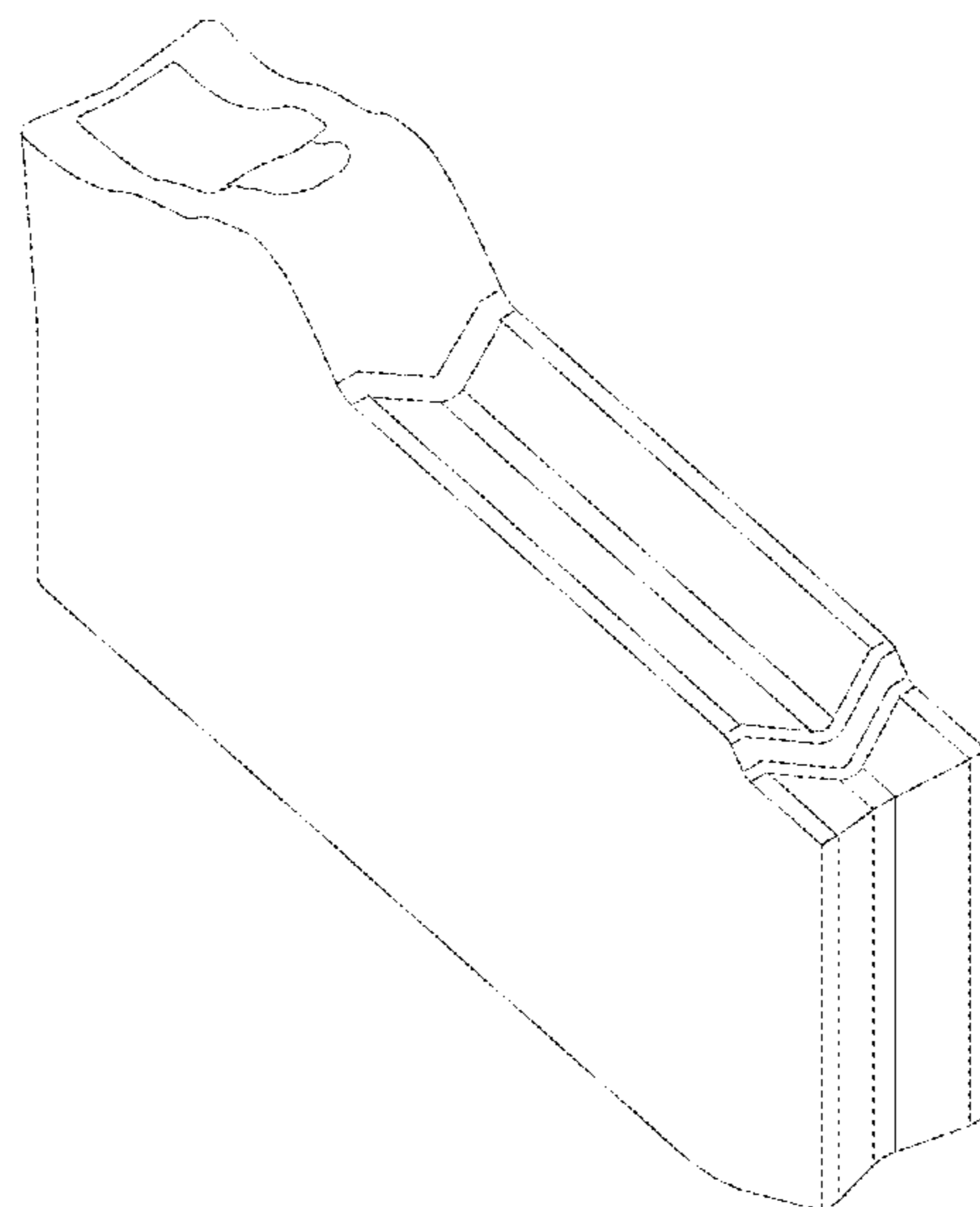
1.4 : Top

1.5 : Bottom

1.6 : Left

1.7 : Right

1 Claim, 7 Drawing Sheets



(56)

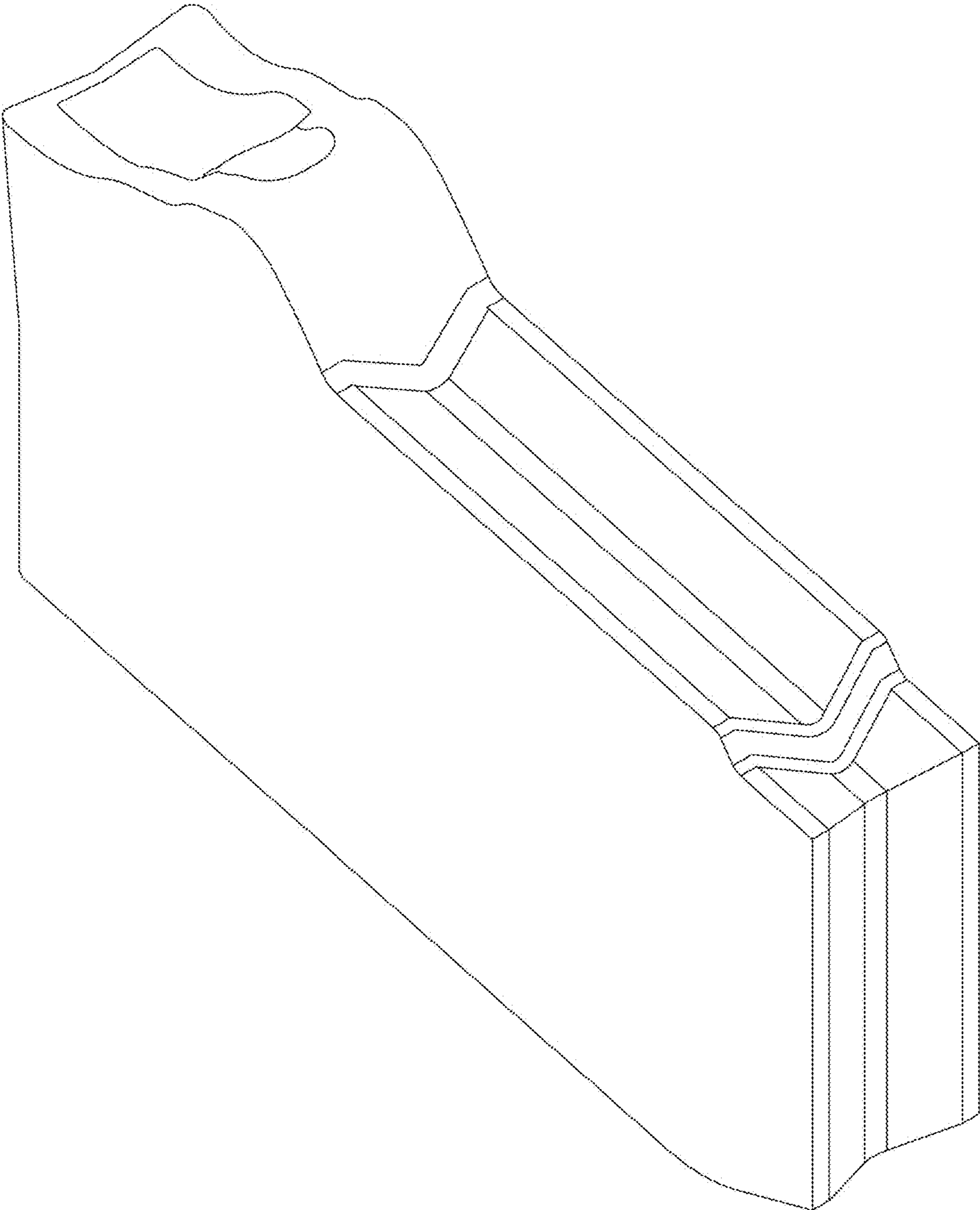
References Cited

U.S. PATENT DOCUMENTS

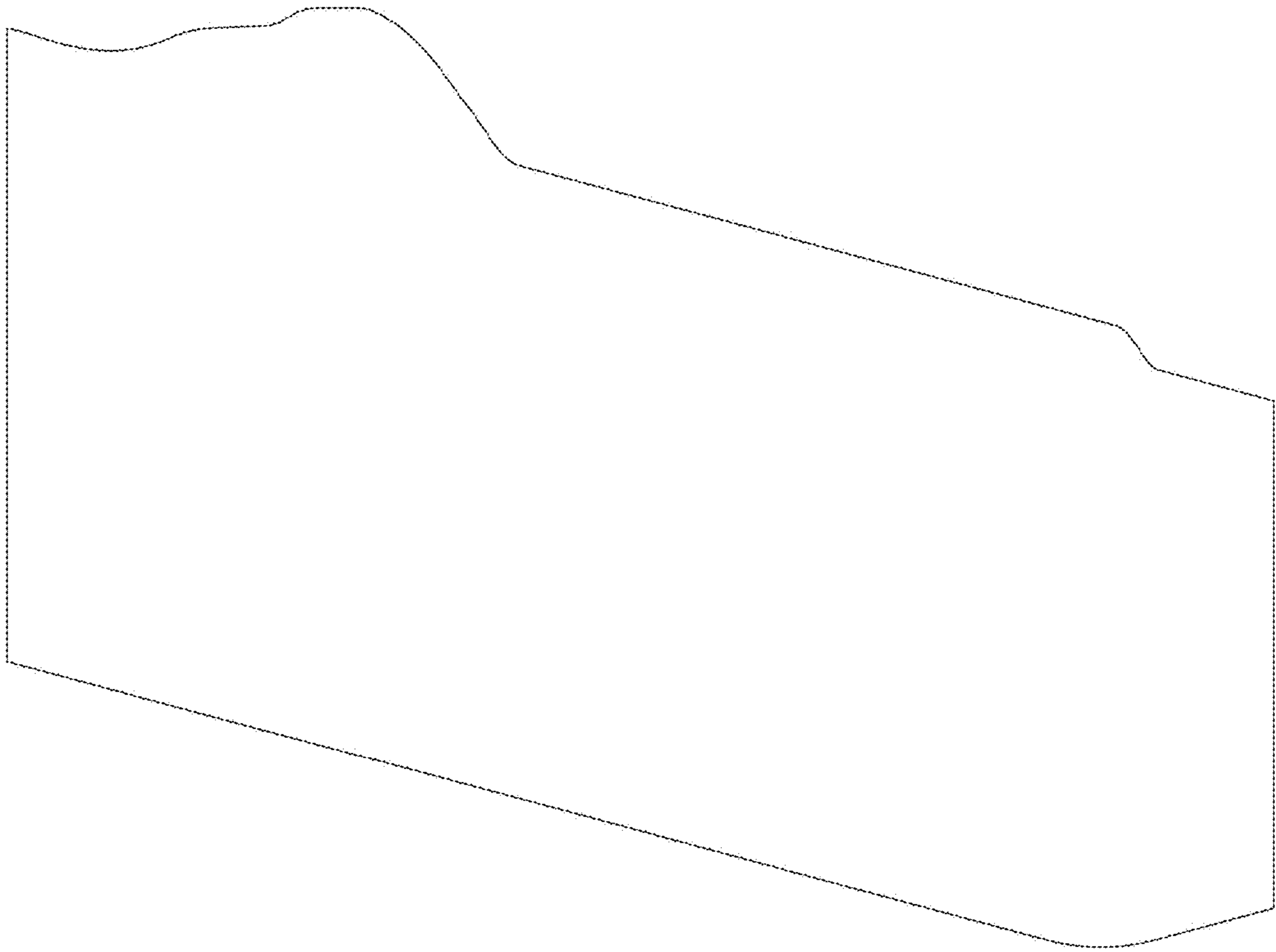
D444,156 S * 6/2001 Hansson D15/139
D452,870 S * 1/2002 Hansson D15/139
D470,516 S * 2/2003 Andersson D15/139
D470,517 S * 2/2003 Andersson D15/139
D476,669 S * 7/2003 Andersson D15/139
6,715,968 B1 * 4/2004 Tagtstrom B23B 27/045
407/116
D502,473 S * 3/2005 Tong D15/139
D527,400 S * 8/2006 Konet D15/139
D535,312 S * 1/2007 Simpson, III D15/139
D537,854 S * 3/2007 Tong D15/139
D616,003 S * 5/2010 Ueda D15/139
8,366,355 B2 * 2/2013 Nagaya B23B 27/04
407/115
D688,715 S * 8/2013 Lampe D15/139
D772,319 S * 11/2016 Nam D15/139
D805,565 S * 12/2017 Min B23C 5/06
D15/139
D812,116 S * 3/2018 Choi D15/139
10,010,939 B2 * 7/2018 Inoue B23B 27/14
10,086,447 B2 * 10/2018 Nam B23C 5/06
D861,754 S * 10/2019 Fukuyama D15/139
D880,547 S * 4/2020 Weinberg D15/139
10,814,399 B2 * 10/2020 Jarvstrom B23D 63/12
D905,141 S * 12/2020 Min D15/139
D912,708 S * 3/2021 Weinberg D15/139
10,987,740 B2 * 4/2021 Chistyakov B23B 27/1611
2013/0183109 A1 * 7/2013 Fujii B23B 27/22
407/115

* cited by examiner

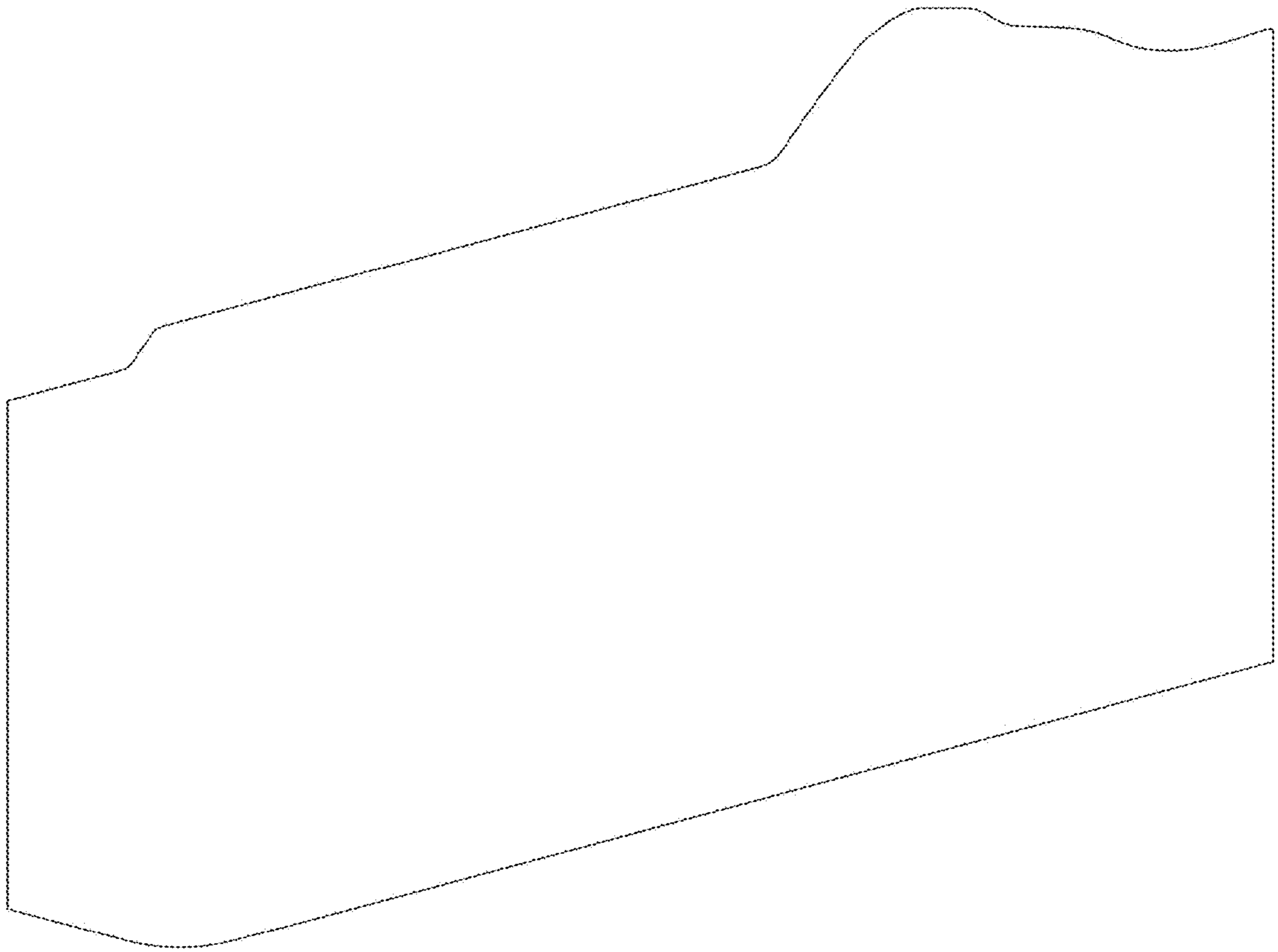
1.1



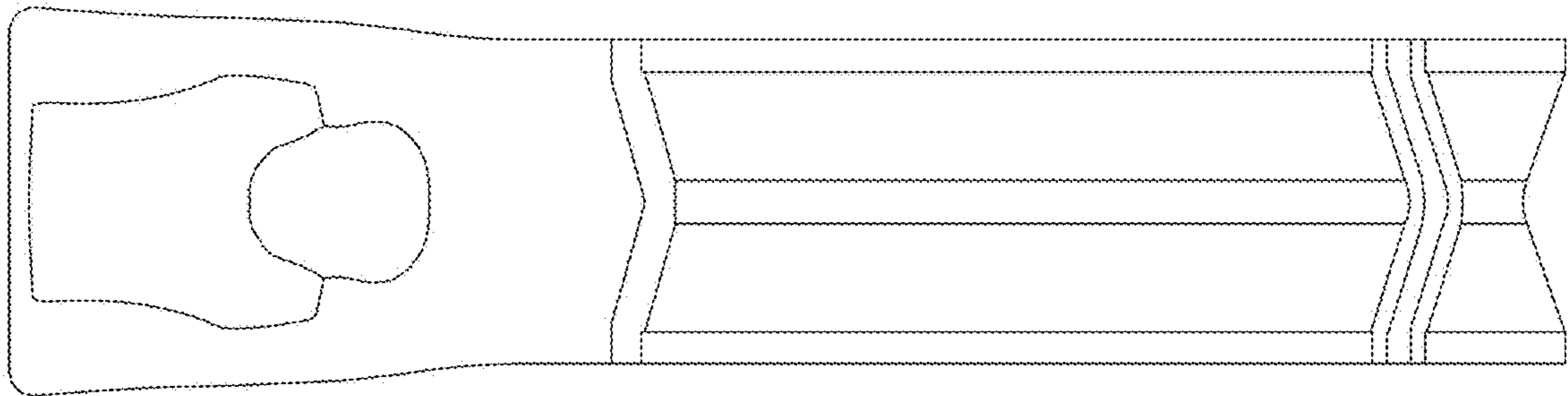
1.2



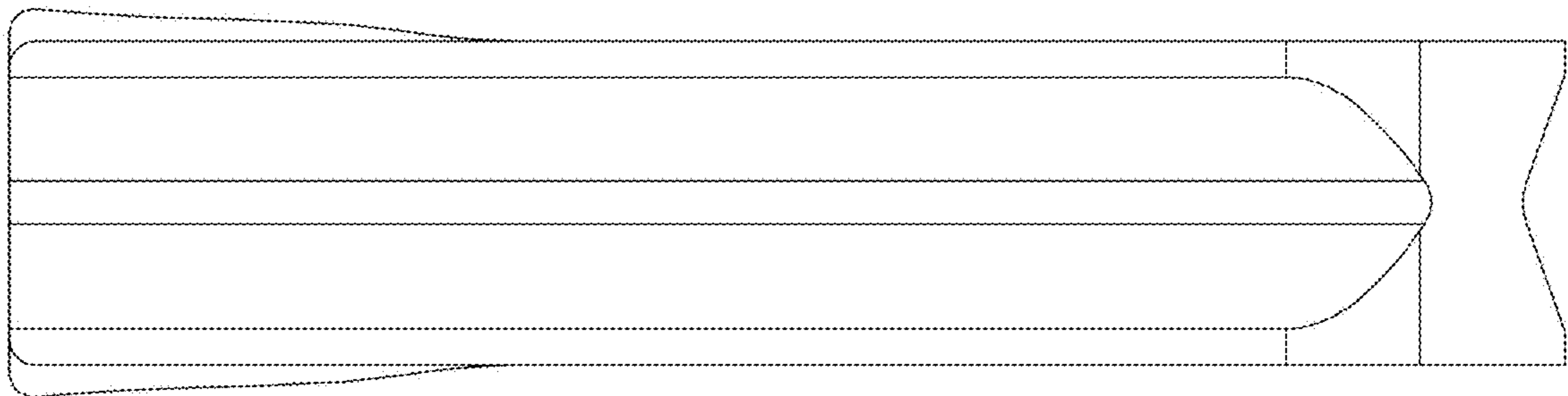
1.3



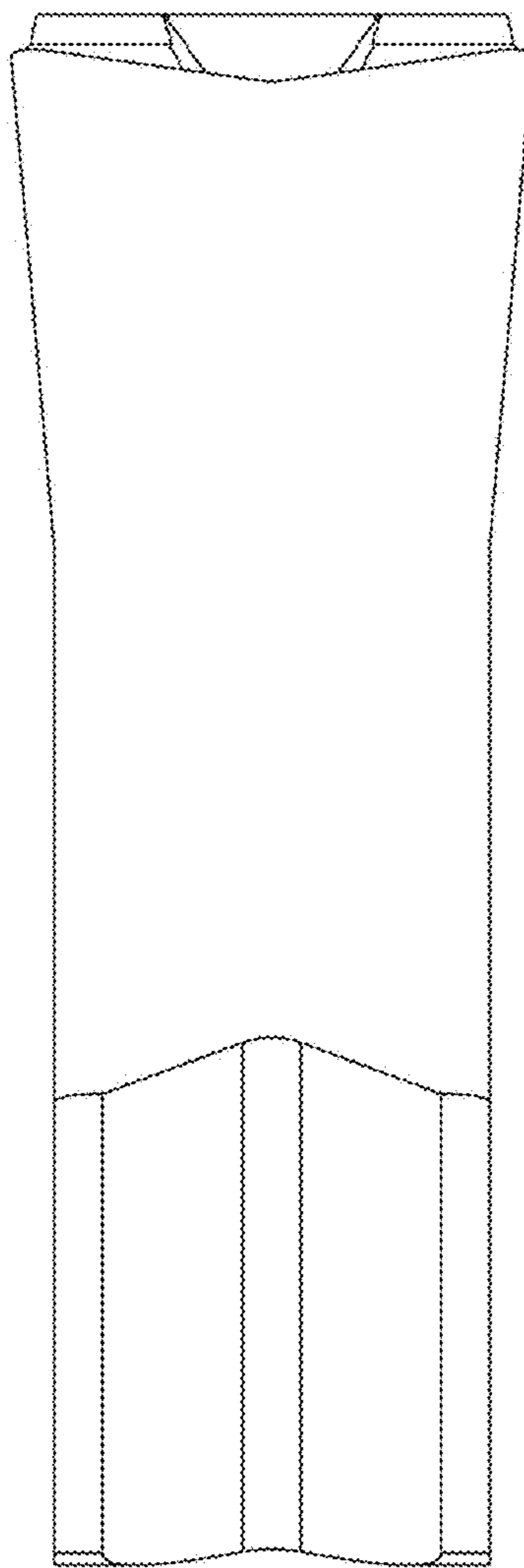
1.4



1.5



1.6



1.7

