



US00D953394S

(12) **United States Design Patent** (10) **Patent No.:** **US D953,394 S**  
**Min et al.** (45) **Date of Patent:** **\*\* May 31, 2022**

(54) **CUTTING INSERT**  
(71) Applicant: **Korloy Inc.**, Seoul (KR)  
(72) Inventors: **Byung Hoon Min**, Cheongju-si (KR);  
**Hyo San Kim**, Cheongju-si (KR);  
**Young Heum Kim**, Cheongju-si (KR);  
**Nam Jun Park**, Cheongju-si (KR)  
(\*\*) Term: **15 Years**

(21) Appl. No.: **35/511,146**  
(22) Filed: **May 21, 2020**

(80) **Hague Agreement Data**  
Int. Filing Date: **May 21, 2020**  
Int. Reg. No.: **DM/212096**  
Int. Reg. Date: **May 21, 2020**  
Int. Reg. Pub. Date: **Jan. 15, 2021**

(51) **LOC (13) Cl.** ..... **15-09**  
(52) **U.S. Cl.**  
USPC ..... **D15/139**  
CPC ..... **B23C 5/207 (2013.01)**

(58) **Field of Classification Search**  
USPC ..... D15/124-144; D8/20, 70, 90, 98;  
409/139-140; 407/59, 114  
CPC ..... B23C 2200/0494; B23C 2200/086; B23C  
2200/128; B23C 2200/362; B23C 5/15;  
B23C 5/06; B23C 5/207; B23C 2200/367;  
B23C 2200/0422; B23B 27/007; B23B  
27/143; B23B 2200/321; B23B 2200/087  
See application file for complete search history.

(56) **References Cited**  
U.S. PATENT DOCUMENTS

D304,949 S \* 12/1989 Niebauer ..... D15/139  
D305,239 S \* 12/1989 Niebauer ..... D15/139  
5,145,295 A \* 9/1992 Satran ..... B23C 5/2213  
407/113  
5,207,538 A \* 5/1993 Satran ..... B23C 5/2213  
407/113

D342,269 S \* 12/1993 Arai ..... D15/139  
D344,276 S \* 2/1994 Markusson ..... D15/139  
D345,984 S \* 4/1994 Ishikawa ..... D15/139  
D345,985 S \* 4/1994 Ishikawa ..... D15/139  
D348,891 S \* 7/1994 Markusson ..... D15/139  
D355,661 S \* 2/1995 Hessman ..... D15/139  
D357,692 S \* 4/1995 Ishikawa ..... D15/139  
D376,158 S \* 12/1996 Hessman ..... D15/139  
D381,026 S \* 7/1997 Hessman ..... D15/139  
D409,633 S \* 5/1999 Bernadic ..... D15/139  
D422,608 S \* 4/2000 Malaker ..... D15/139  
D425,086 S \* 5/2000 Bernadic ..... D15/139  
D488,175 S \* 4/2004 Kasperik ..... D15/139  
7,168,512 B2 \* 1/2007 Schuffenhauer ..... B23C 5/207  
175/426  
D585,467 S \* 1/2009 Takanashi ..... D15/139  
D589,542 S \* 3/2009 Takanashi ..... D15/139  
D794,103 S \* 8/2017 Jeong ..... D15/139  
D805,566 S \* 12/2017 Oh ..... D15/139  
D816,133 S \* 4/2018 Mura ..... D15/139  
D816,134 S \* 4/2018 Mura ..... D15/139  
D826,664 S \* 8/2018 Matsubara ..... D8/20  
D828,414 S \* 9/2018 Takahashi ..... D15/139  
D837,847 S \* 1/2019 Min ..... D15/139  
D845,361 S \* 4/2019 Komiyama ..... D15/139  
D853,456 S \* 7/2019 Aizawa ..... D15/138  
D854,592 S \* 7/2019 Matsuda ..... D15/139

(Continued)

Primary Examiner — Richard E Chilcot

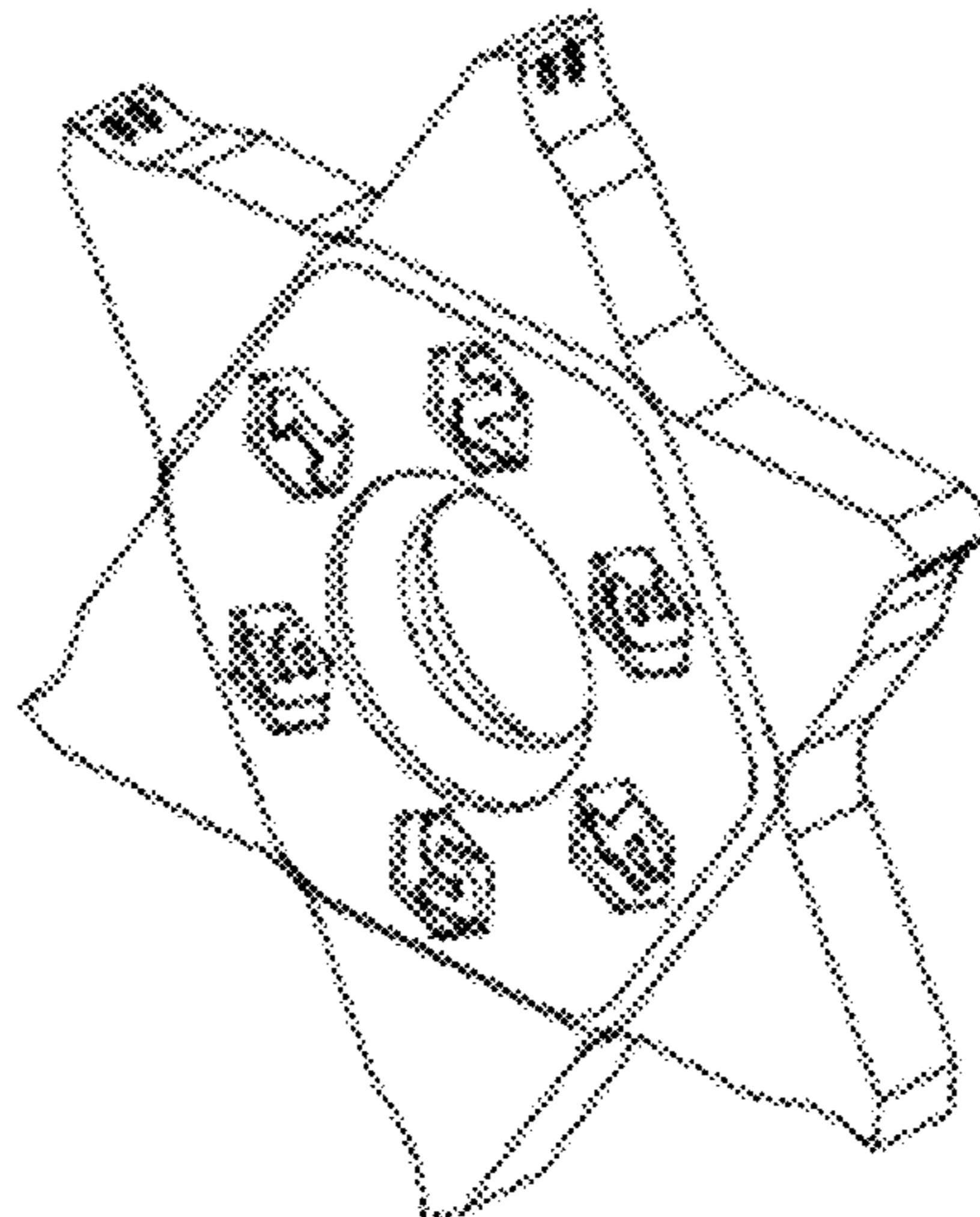
(57) **CLAIM**

The ornamental design for a cutting insert, as shown and described.

**DESCRIPTION**

- 1. Cutting insert
- 1.1 : Perspective
- 1.2 : Front
- 1.3 : Back
- 1.4 : Top
- 1.5 : Bottom
- 1.6 : Left
- 1.7 : Right

**1 Claim, 7 Drawing Sheets**



(56)

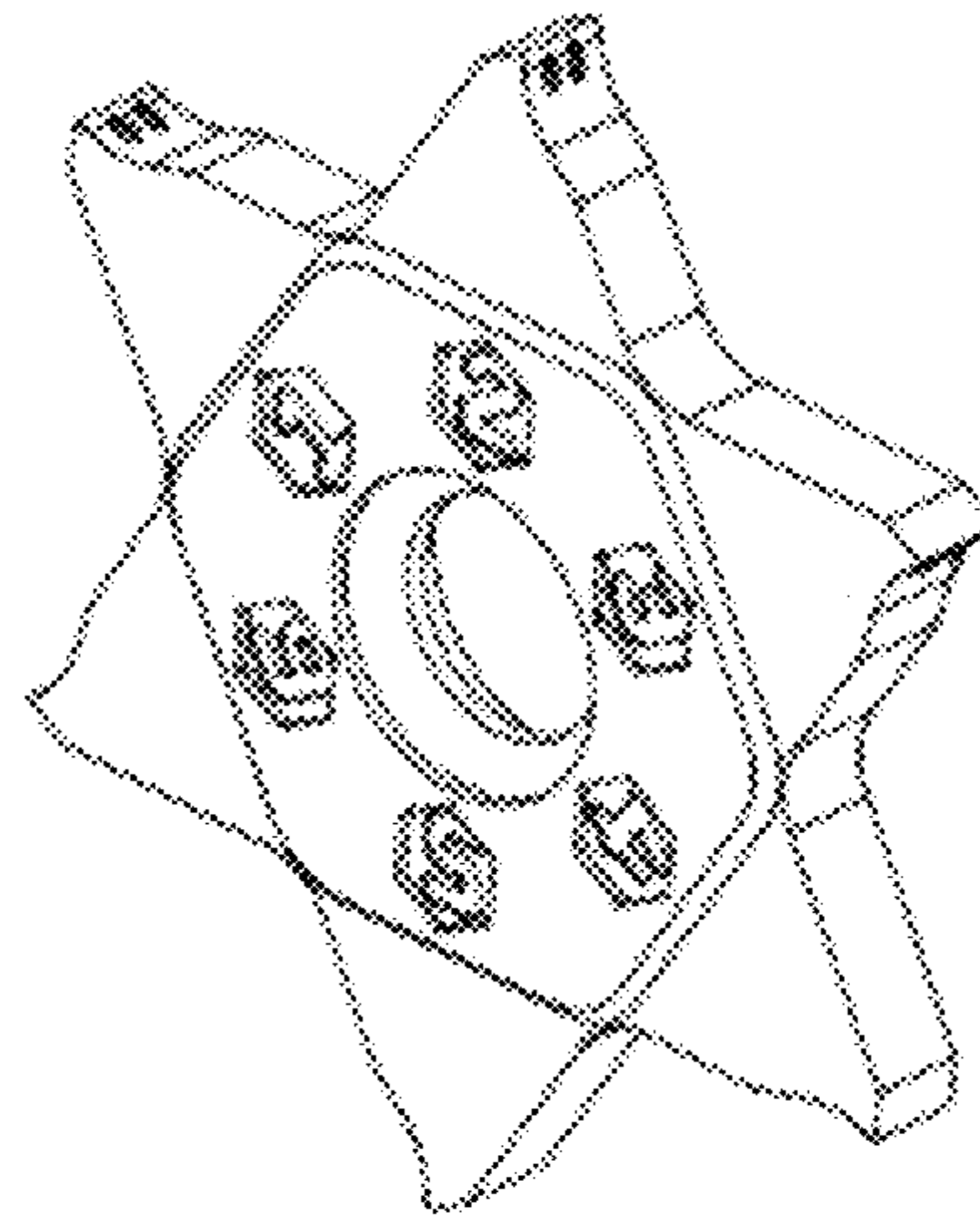
**References Cited**

U.S. PATENT DOCUMENTS

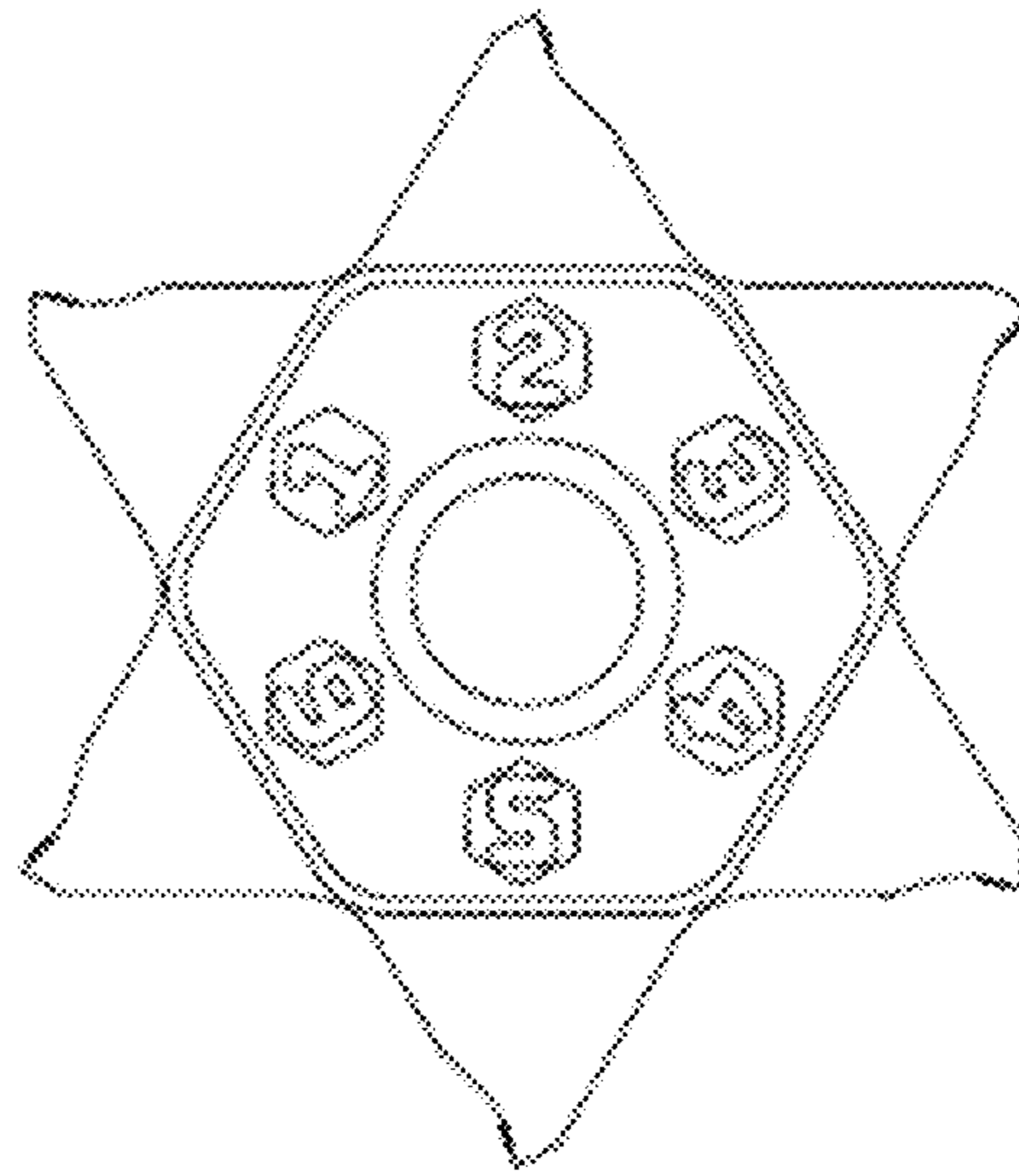
D872,784 S *	1/2020	Inagaki .....	D15/139
D879,168 S *	3/2020	Zhao .....	D15/139
D898,085 S *	10/2020	Kim .....	D15/139
2015/0202697 A1 *	7/2015	Shiota .....	B23C 5/109
			407/42
2015/0246398 A1 *	9/2015	Kawasaki .....	B23B 27/141
			408/231

\* cited by examiner

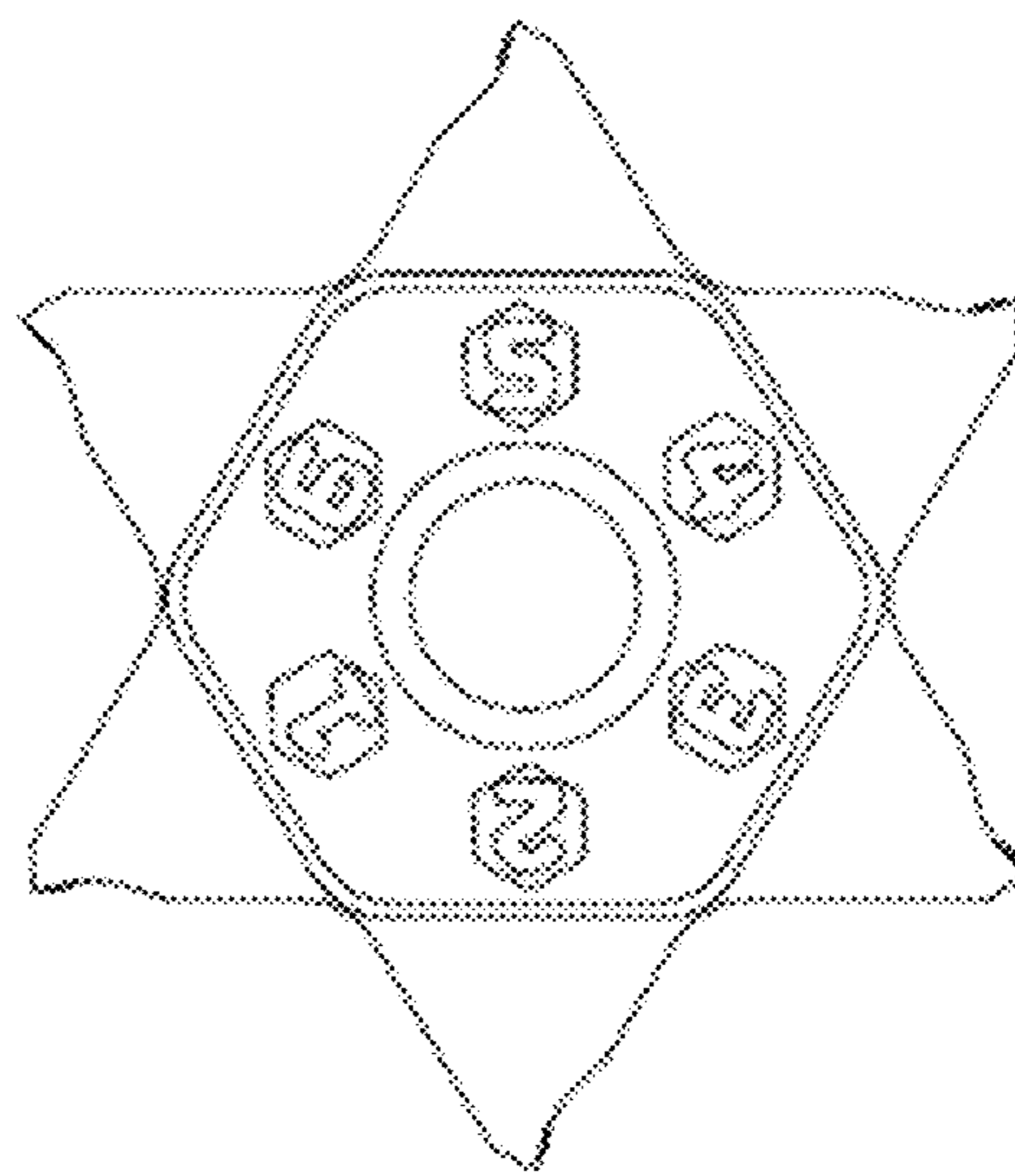
**1.1**



1.2



1.3



1.4



1.5



1.6





1.7

