



US00D953393S

(12) **United States Design Patent** (10) **Patent No.:** **US D953,393 S**
Park et al. (45) **Date of Patent:** **** May 31, 2022**

(54) **CUTTING INSERT**

(71) Applicant: **Korloy Inc.**, Seoul (KR)

(72) Inventors: **Nam Jun Park**, Cheongju-si (KR);
Byung Hoon Min, Cheongju-si (KR);
Hyo San Kim, Cheongju-si (KR);
Young Heum Kim, Cheongju-si (KR)

(**) Term: **15 Years**

(21) Appl. No.: **35/511,134**

(22) Filed: **May 21, 2020**

(80) **Hague Agreement Data**
 Int. Filing Date: **May 21, 2020**
 Int. Reg. No.: **DM/212097**
 Int. Reg. Date: **May 21, 2020**
 Int. Reg. Pub. Date: **Jan. 15, 2021**

(51) **LOC (13) Cl.** **15-09**

(52) **U.S. Cl.**
 USPC **D15/139**
 CPC **B23C 5/207 (2013.01)**

(58) **Field of Classification Search**
 USPC D15/124–144; D8/20, 70, 90, 98;
 409/139–140; 407/59, 114
 CPC B23C 2200/0494; B23C 2200/086; B23C
 2200/128; B23C 2200/362; B23C 5/15;
 B23C 5/06; B23C 5/207; B23C 2200/367;
 B23C 2200/0422; B23B 27/007; B23B
 27/143; B23B 2200/321; B23B 2200/087
 See application file for complete search history.

(56) **References Cited**

U.S. PATENT DOCUMENTS

D304,949 S * 12/1989 Niebauer D15/139
 D305,239 S * 12/1989 Niebauer D15/139
 5,145,295 A * 9/1992 Satran B23C 5/2213
 407/113
 5,207,538 A * 5/1993 Satran B23C 5/2213
 407/113

D342,269 S * 12/1993 Arai D15/139
 D344,276 S * 2/1994 Markusson D15/139
 D345,984 S * 4/1994 Ishikawa D15/139
 D345,985 S * 4/1994 Ishikawa D15/139
 D348,891 S * 7/1994 Markusson D15/139
 D355,661 S * 2/1995 Hessman D15/139
 D357,692 S * 4/1995 Ishikawa D15/139
 D376,158 S * 12/1996 Hessman D15/139
 D381,026 S * 7/1997 Hessman D15/139
 D409,633 S * 5/1999 Bernadic D15/139
 D422,608 S * 4/2000 Malaker D15/139
 D425,086 S * 5/2000 Bernadic D15/139
 D488,175 S * 4/2004 Kasperik D15/139
 7,168,512 B2 * 1/2007 Schuffenhauer B23C 5/207
 175/426
 D585,467 S * 1/2009 Takanashi D15/139
 D589,542 S * 3/2009 Takanashi D15/139
 D794,103 S * 8/2017 Jeong D15/139
 D805,566 S * 12/2017 Oh D15/139
 D816,133 S * 4/2018 Mura D15/139
 D816,134 S * 4/2018 Mura D15/139
 D826,664 S * 8/2018 Matsubara D8/20
 D828,414 S * 9/2018 Takahashi D15/139
 D837,847 S * 1/2019 Min D15/139
 D845,361 S * 4/2019 Komiyama D15/139
 D853,456 S * 7/2019 Aizawa D15/138
 D854,592 S * 7/2019 Matsuda D15/139

(Continued)

Primary Examiner — Richard E Chilcot

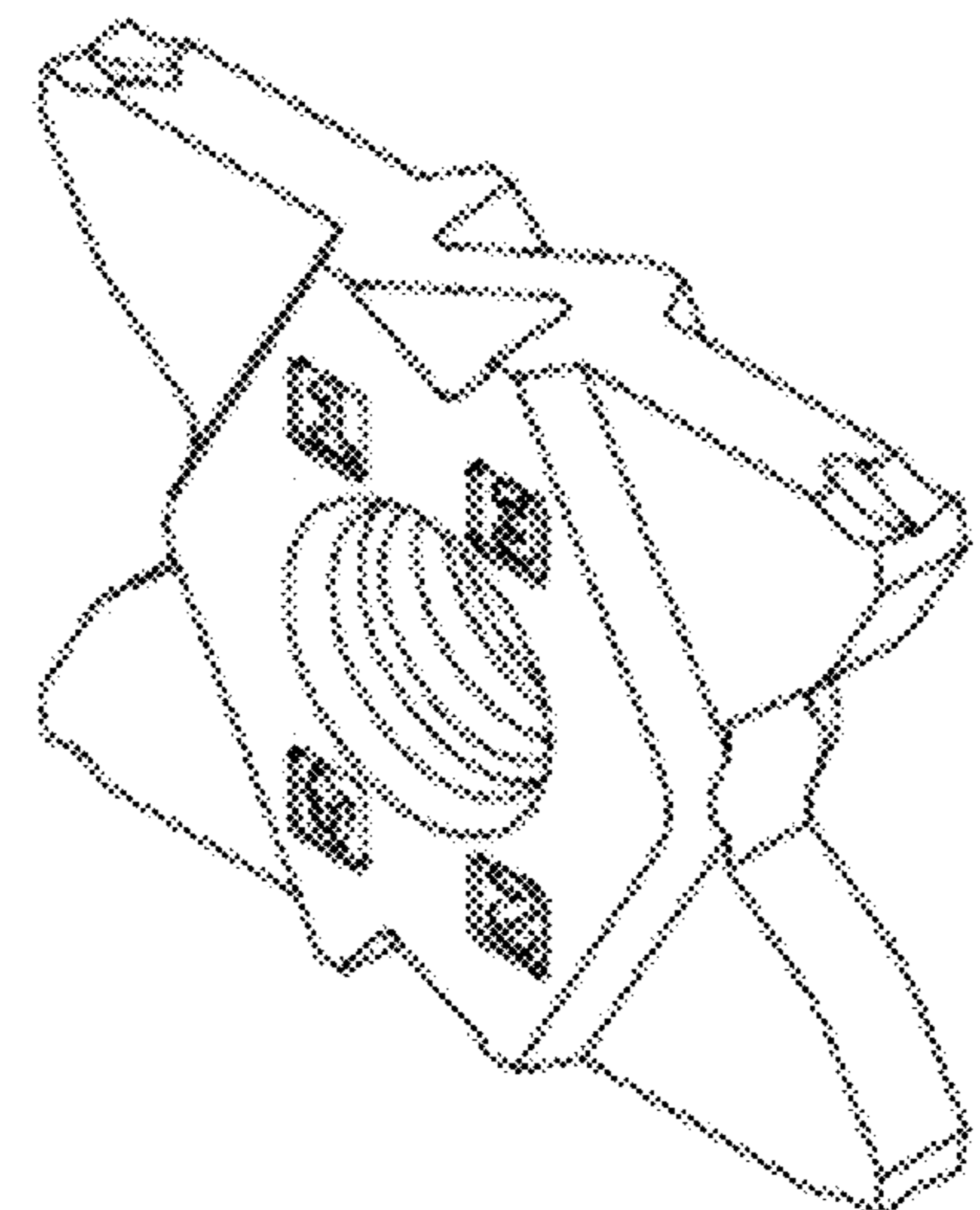
(57) **CLAIM**

The ornamental design for a cutting insert, as shown and described.

DESCRIPTION

- 1. Cutting insert
- 1.1 : Perspective
- 1.2 : Front
- 1.3 : Back
- 1.4 : Top
- 1.5 : Bottom
- 1.6 : Left
- 1.7 : Right

1 Claim, 7 Drawing Sheets



(56)

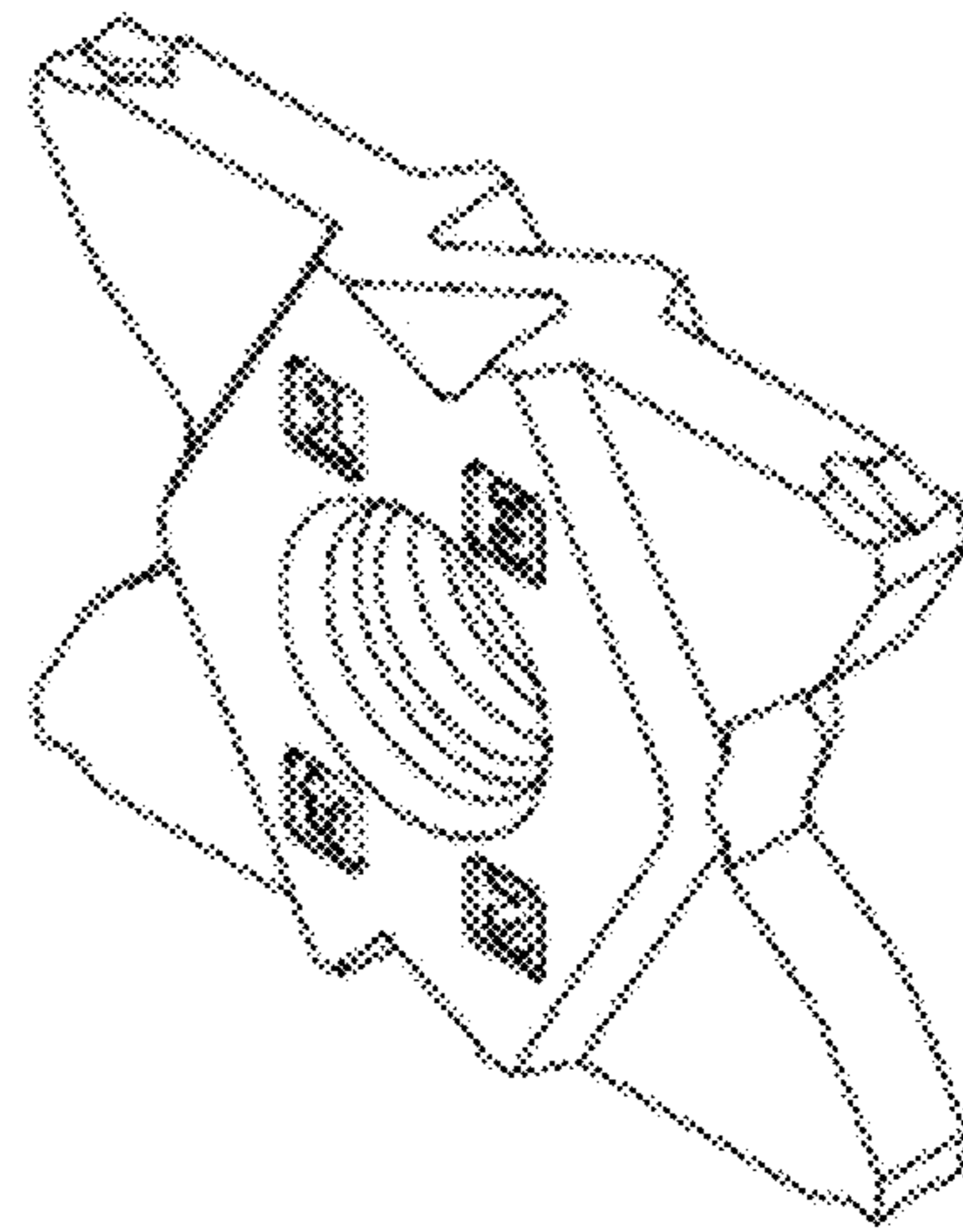
References Cited

U.S. PATENT DOCUMENTS

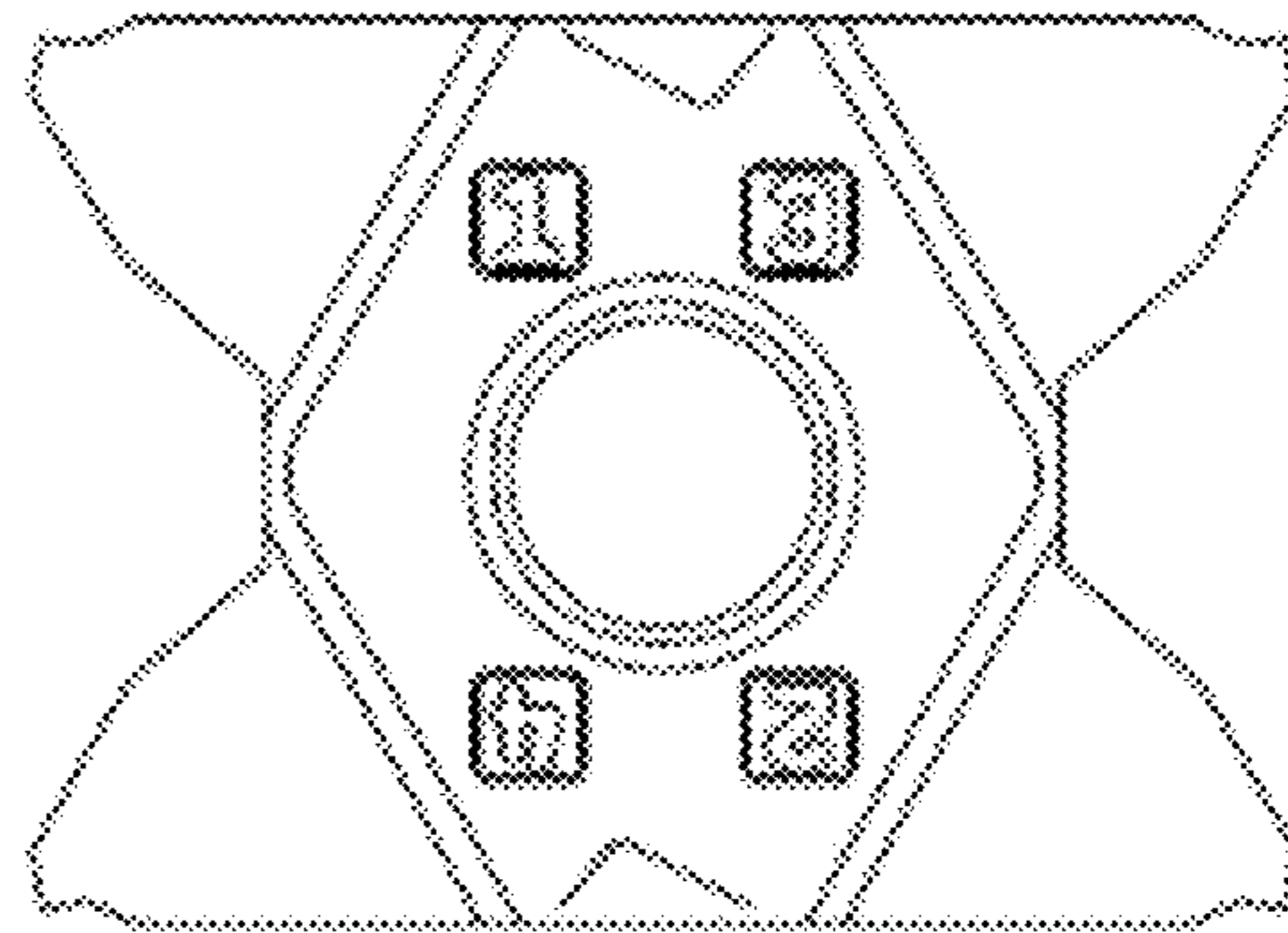
D872,784 S * 1/2020 Inagaki D15/139
D879,168 S * 3/2020 Zhao D15/139
D898,085 S * 10/2020 Kim D15/139
2015/0202697 A1* 7/2015 Shiota B23C 5/109
407/42
2015/0246398 A1* 9/2015 Kawasaki B23B 27/141
408/231

* cited by examiner

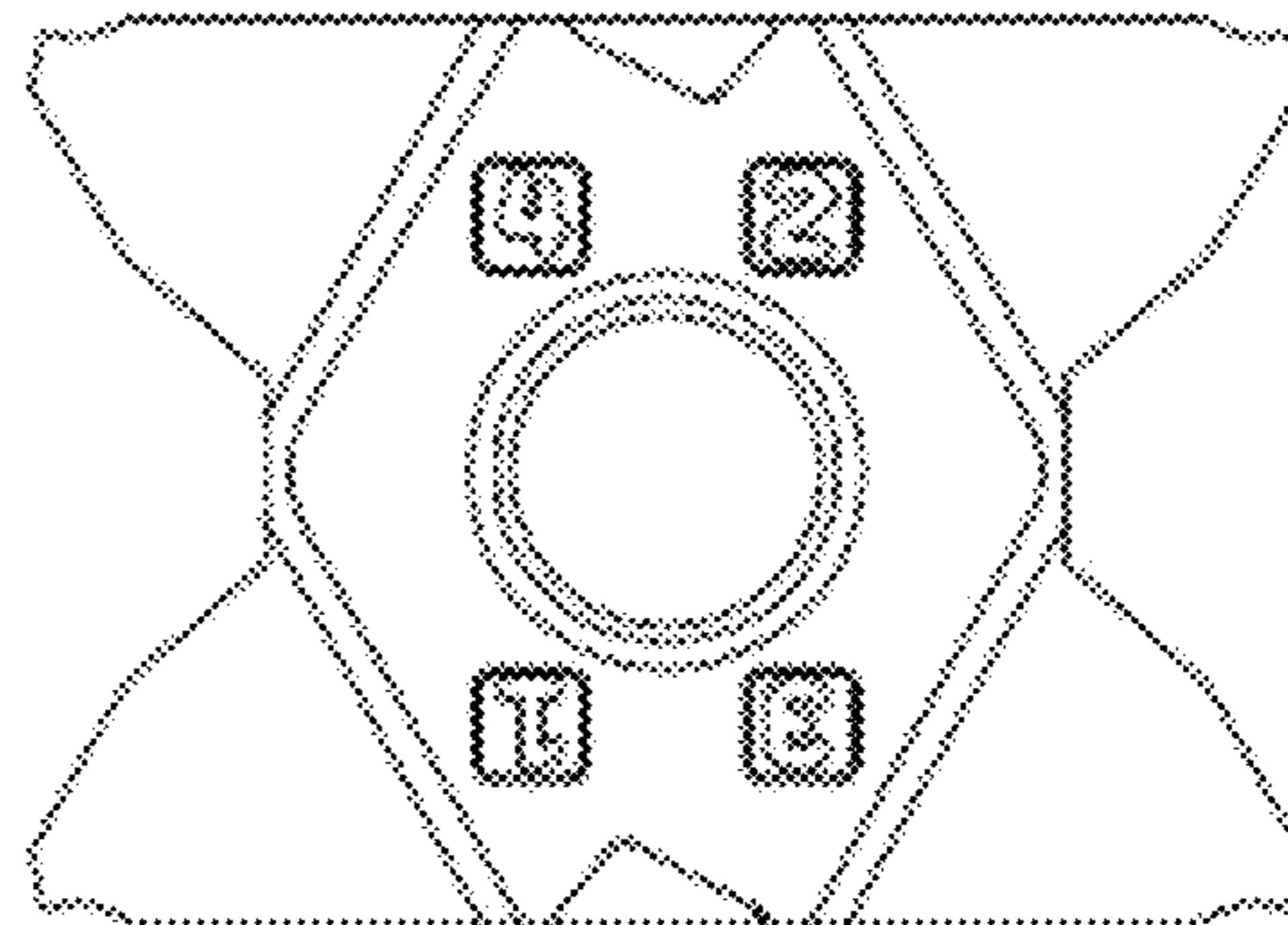
1.1



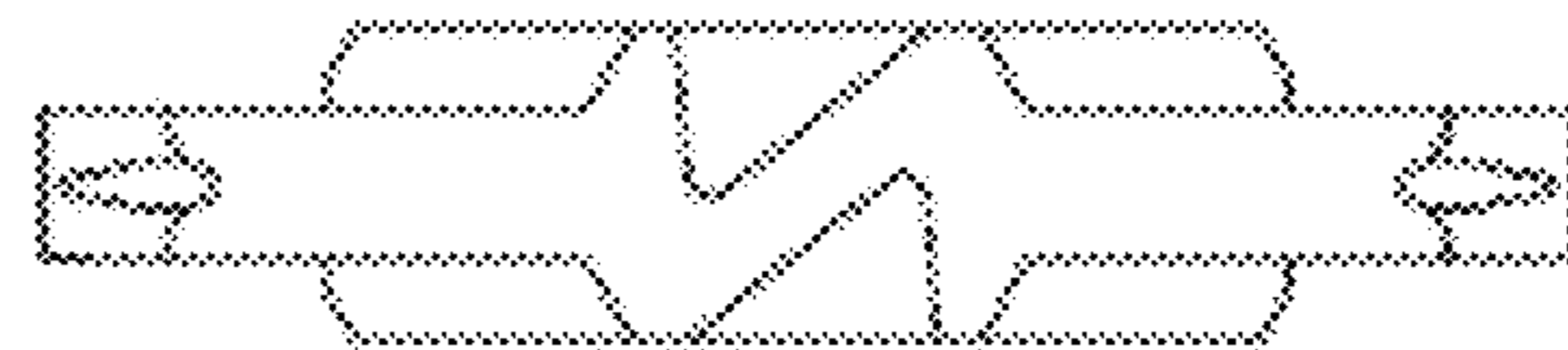
1.2



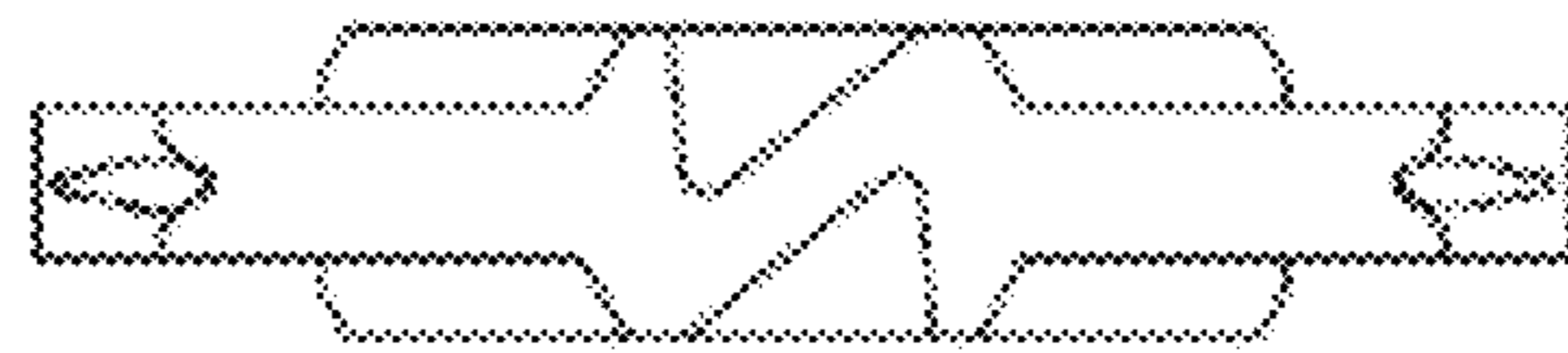
1.3



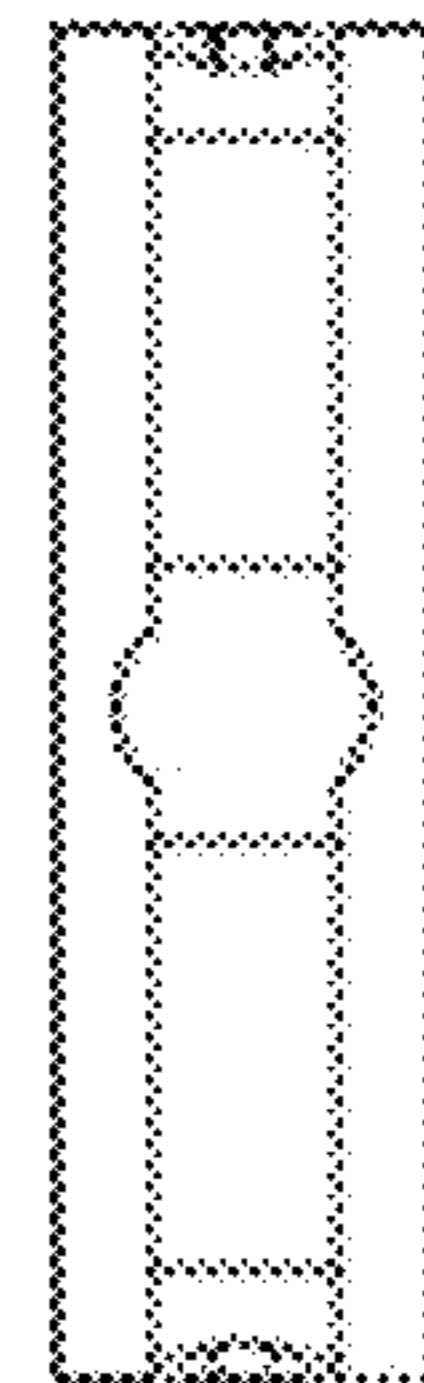
1.4



1.5



1.6



1.7

