



US00D953389S

(12) **United States Design Patent**
Karlsson et al.

(10) **Patent No.:** **US D953,389 S**

(45) **Date of Patent:** **** May 31, 2022**

- (54) **MILLING CUTTER TOOL**
- (71) Applicant: **SECO TOOLS AB**, Fagersta (SE)
- (72) Inventors: **Kent Karlsson**, Fellingsbro (SE);
Rikard Flodman, Arboga (SE)
- (73) Assignee: **Seco Tools AB**, Fagersta (SE)
- (**) Term: **15 Years**
- (21) Appl. No.: **29/819,578**
- (22) Filed: **Dec. 16, 2021**

Related U.S. Application Data

- (62) Division of application No. 29/689,521, filed on Apr. 30, 2019.
- (51) **LOC (13) Cl.** **15-09**
- (52) **U.S. Cl.**
USPC **D15/139**
- (58) **Field of Classification Search**
USPC D8/20, 70, 71; D15/21, 28, 77, 126,
D15/131-133, 138, 139
CPC B23C 2200/0494; B23C 2200/086; B23C
2200/128; B23C 2200/362; B23C
2210/03; B23C 2210/02; B23B 51/02;
B23B 51/048; E01C 23/088; Y10T
407/23; Y10T 409/30952; A01G 23/067;
B02C 4/305; B02C 7/12; B02C 18/18;
B02C 13/28; B02C 13/2804; B27G
13/00; B27G 13/10; E21B 10/08; E21B
10/43; E21B 10/62; E21B 10/602; E21B
10/55

See application file for complete search history.

(56) **References Cited**

U.S. PATENT DOCUMENTS

- D351,174 S * 10/1994 Brady D15/139
- D376,158 S * 12/1996 Hessman D15/139

- 7,252,461 B2 * 8/2007 Karonen B23B 27/16
407/113
- D582,448 S * 12/2008 Boulakhov D15/139
- 7,549,824 B2 * 6/2009 Agic B23B 27/16
407/42
- 8,430,607 B2 * 4/2013 Jansson B23C 5/06
407/113
- 8,740,508 B2 * 6/2014 Jansson B23C 5/22
407/40
- D717,847 S * 11/2014 Mikado D15/139
- 8,985,914 B2 * 3/2015 Jansson B23C 5/2406
407/36
- 9,233,426 B2 * 1/2016 Jansson B23C 5/207
- D926,239 S * 7/2021 Flodman D15/139
- D926,846 S * 8/2021 Flodman D15/139
- D926,847 S * 8/2021 Flodman D15/139
- 2007/0081873 A1 * 4/2007 Blomstedt B23C 5/10
409/234
- 2007/0231088 A1 10/2007 Waggle et al.
- 2014/0318873 A1 * 10/2014 Patel E21B 10/567
175/432
- 2021/0237176 A1 * 8/2021 Flodman B23C 5/006

* cited by examiner

Primary Examiner — Calvin E Vansant
Assistant Examiner — Mark T. Philipps
(74) *Attorney, Agent, or Firm* — Volpe Koenig

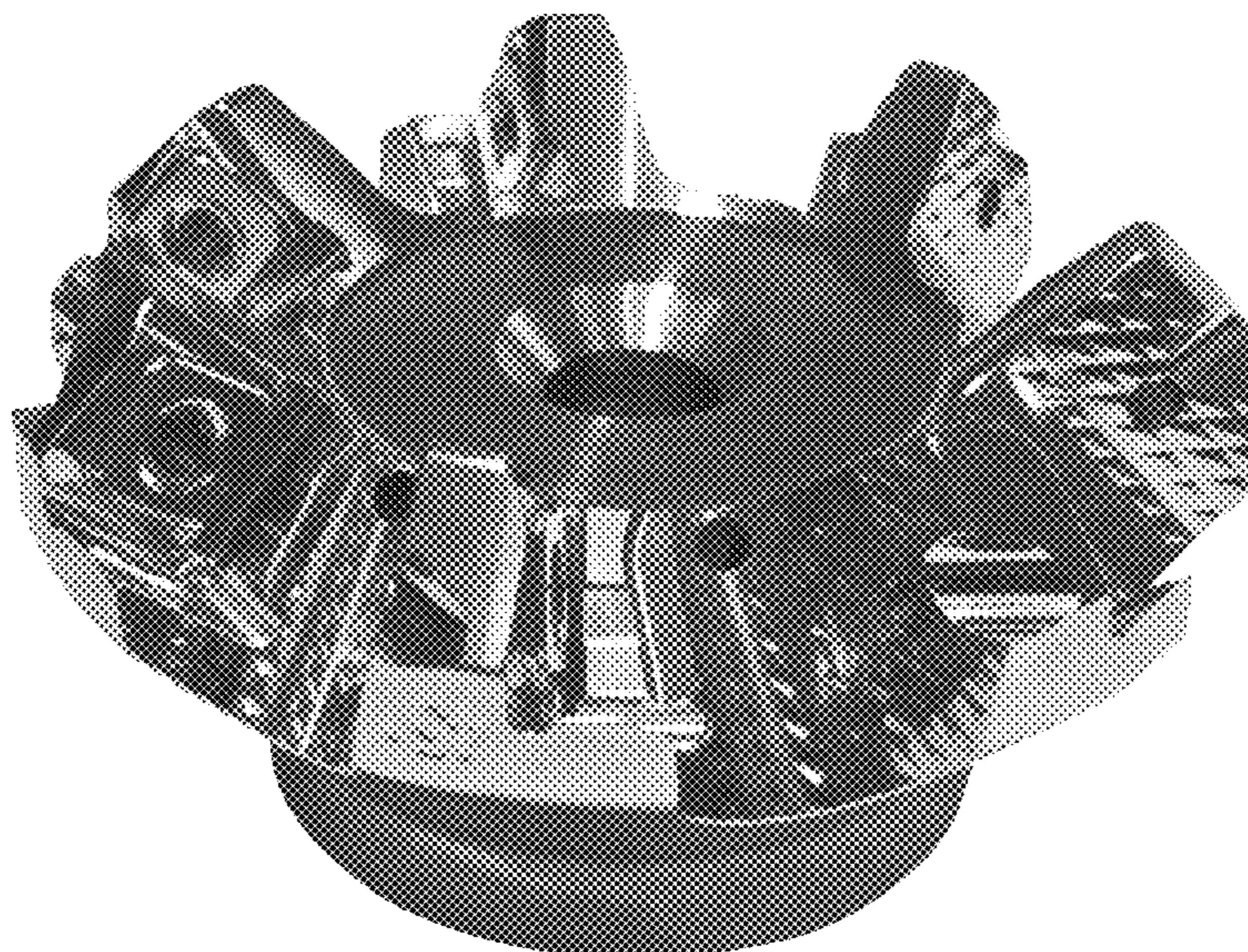
(57) **CLAIM**

We claim the ornamental design for a milling cutter tool, as shown and described.

DESCRIPTION

FIG. 1 is a perspective view of a milling cutter tool in accordance with our design;
FIG. 2 is a top plan view thereof;
FIG. 3 is a front elevational view thereof;
FIG. 4 is a right side elevational view thereof;
FIG. 5 is a rear elevational view thereof;
FIG. 6 is a left side elevational view thereof; and,
FIG. 7 is a bottom plan view thereof.

1 Claim, 5 Drawing Sheets



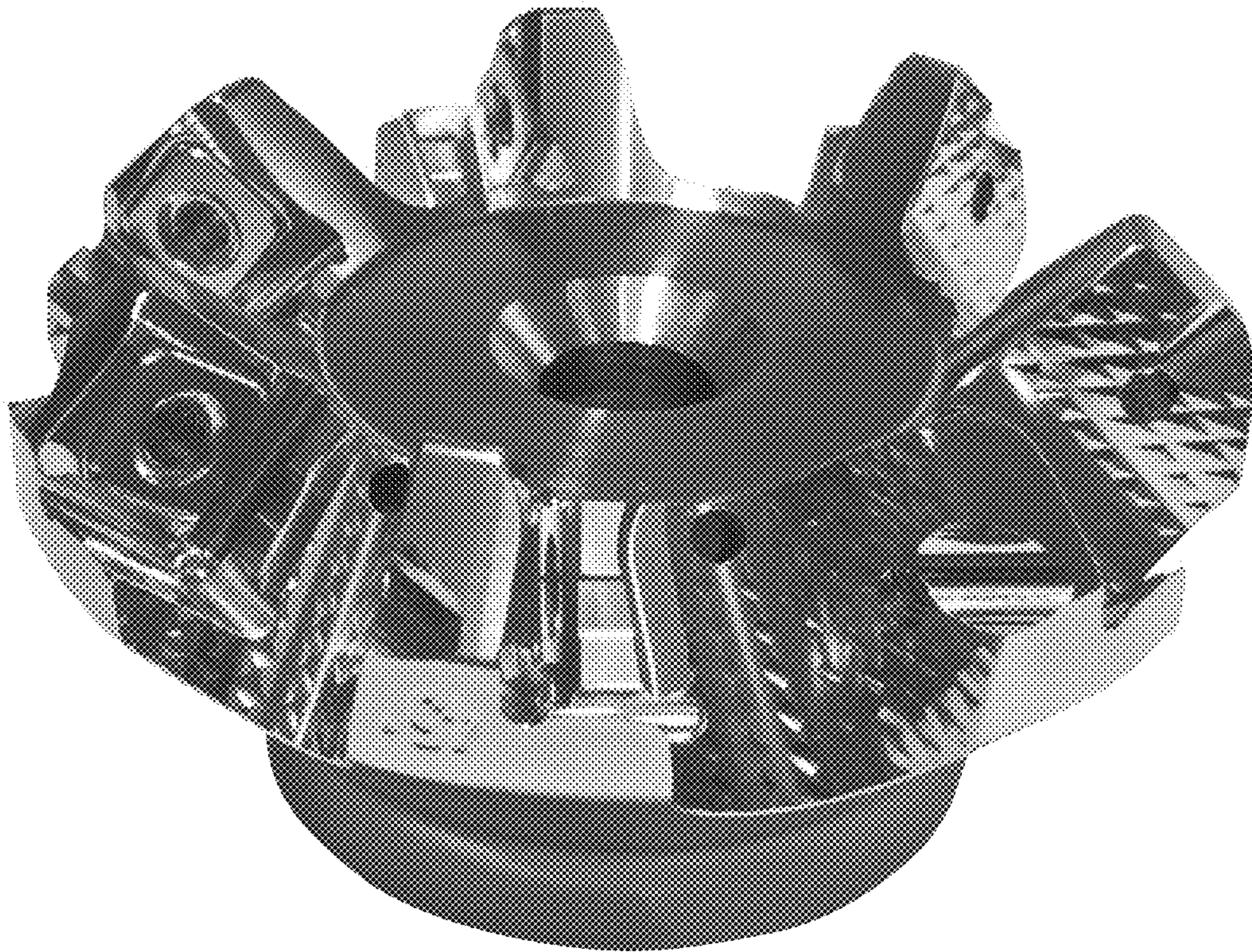


Fig. 1



Fig. 2

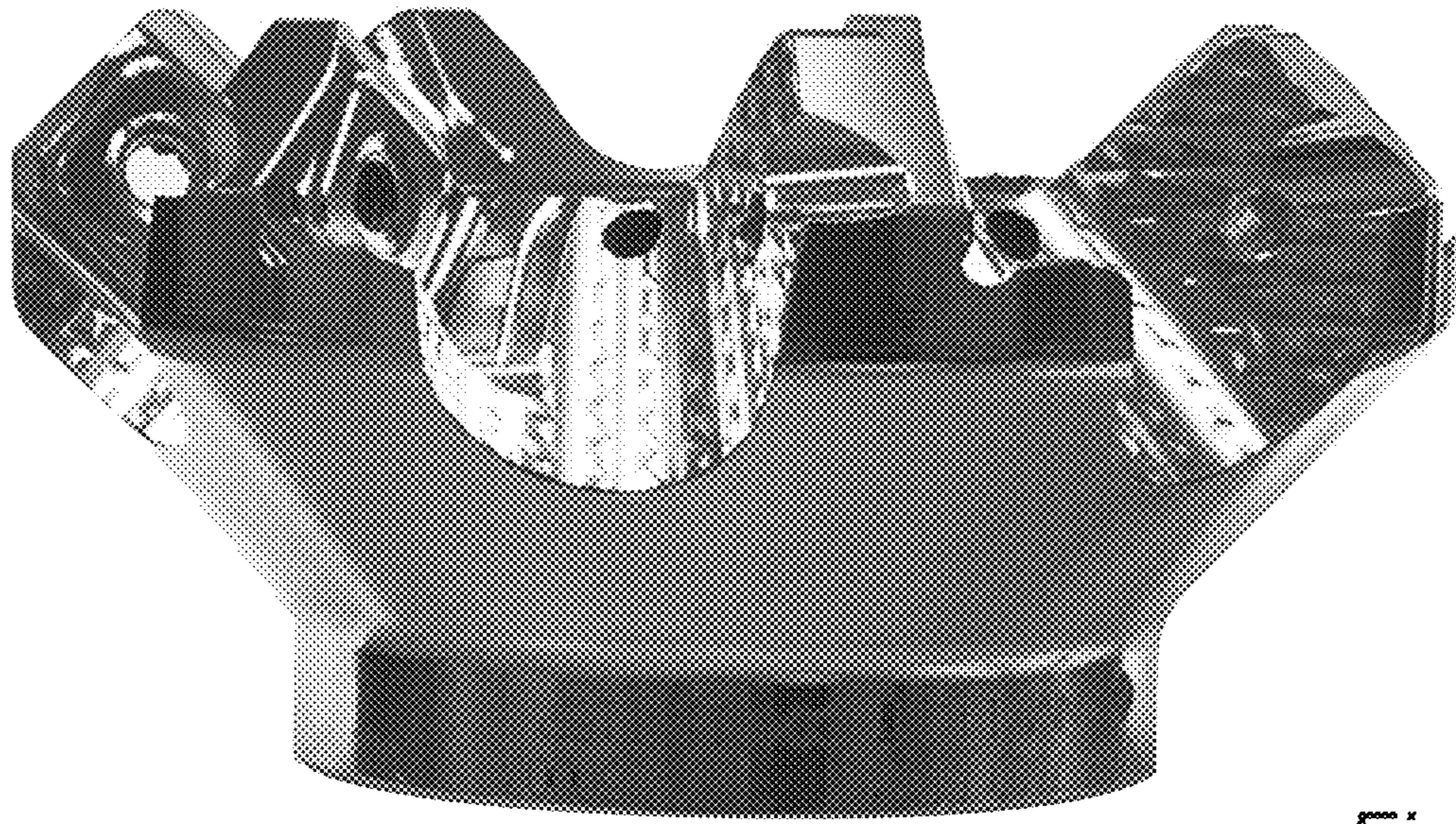


Fig. 3

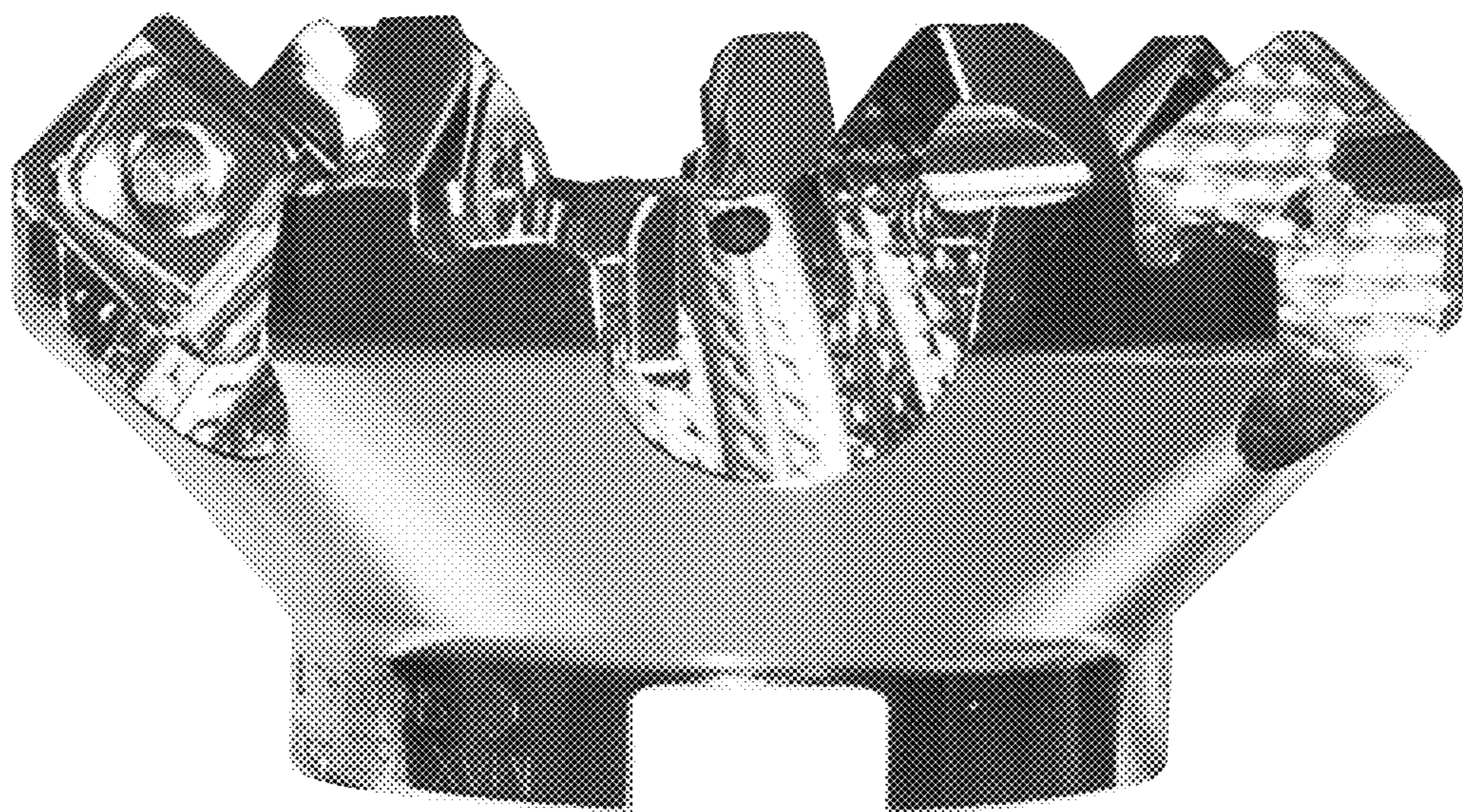


Fig. 4

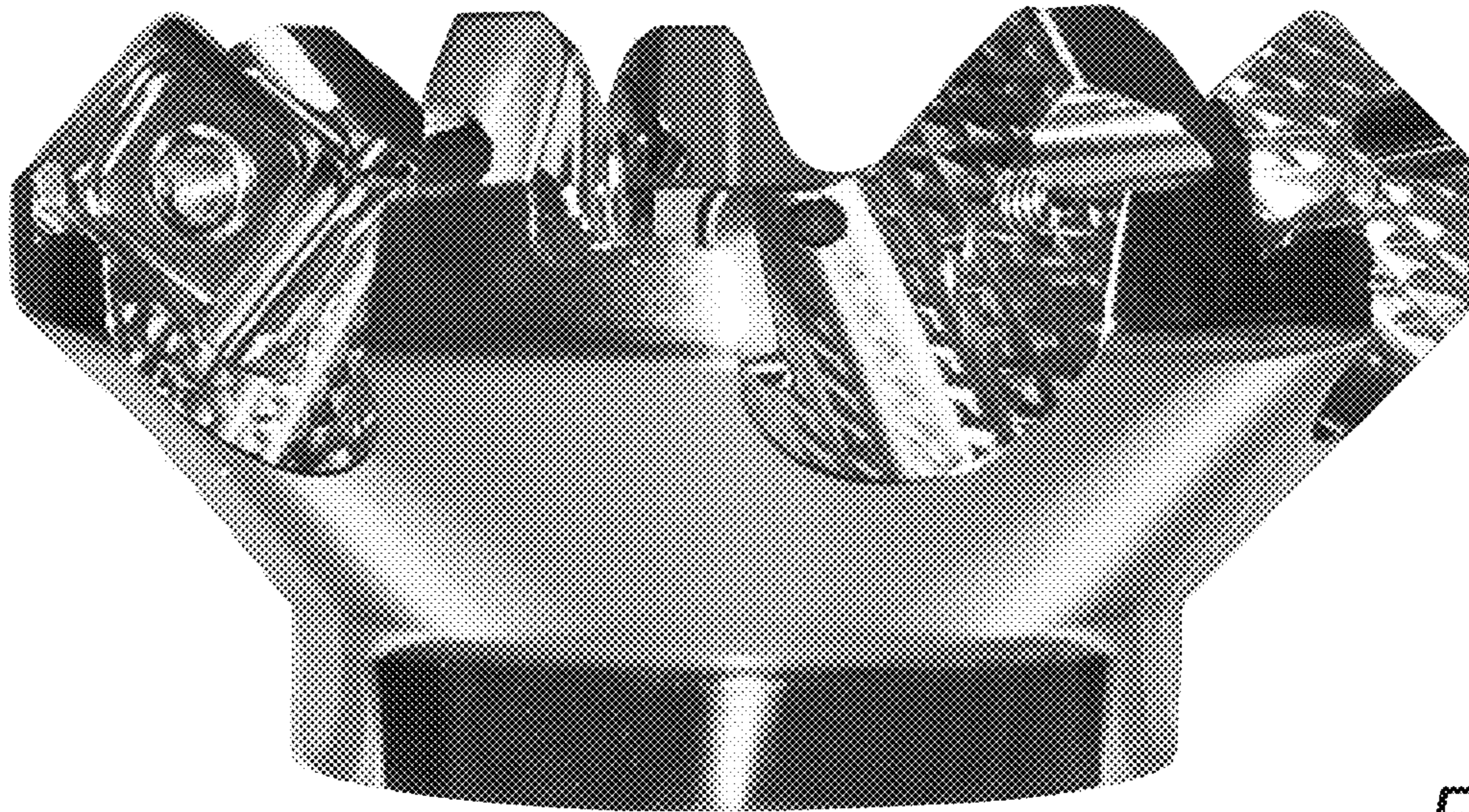


Fig. 5

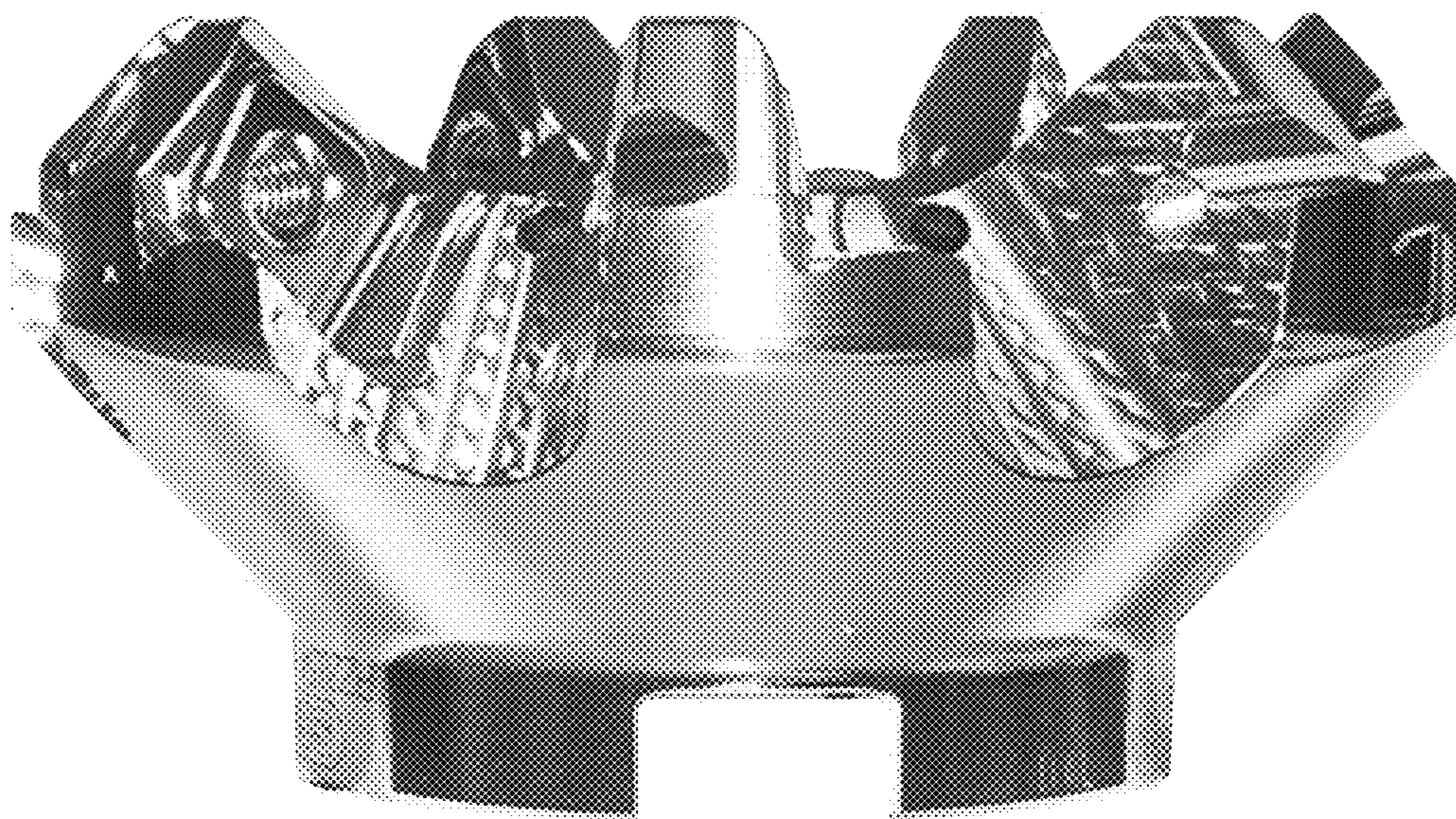


Fig. 6

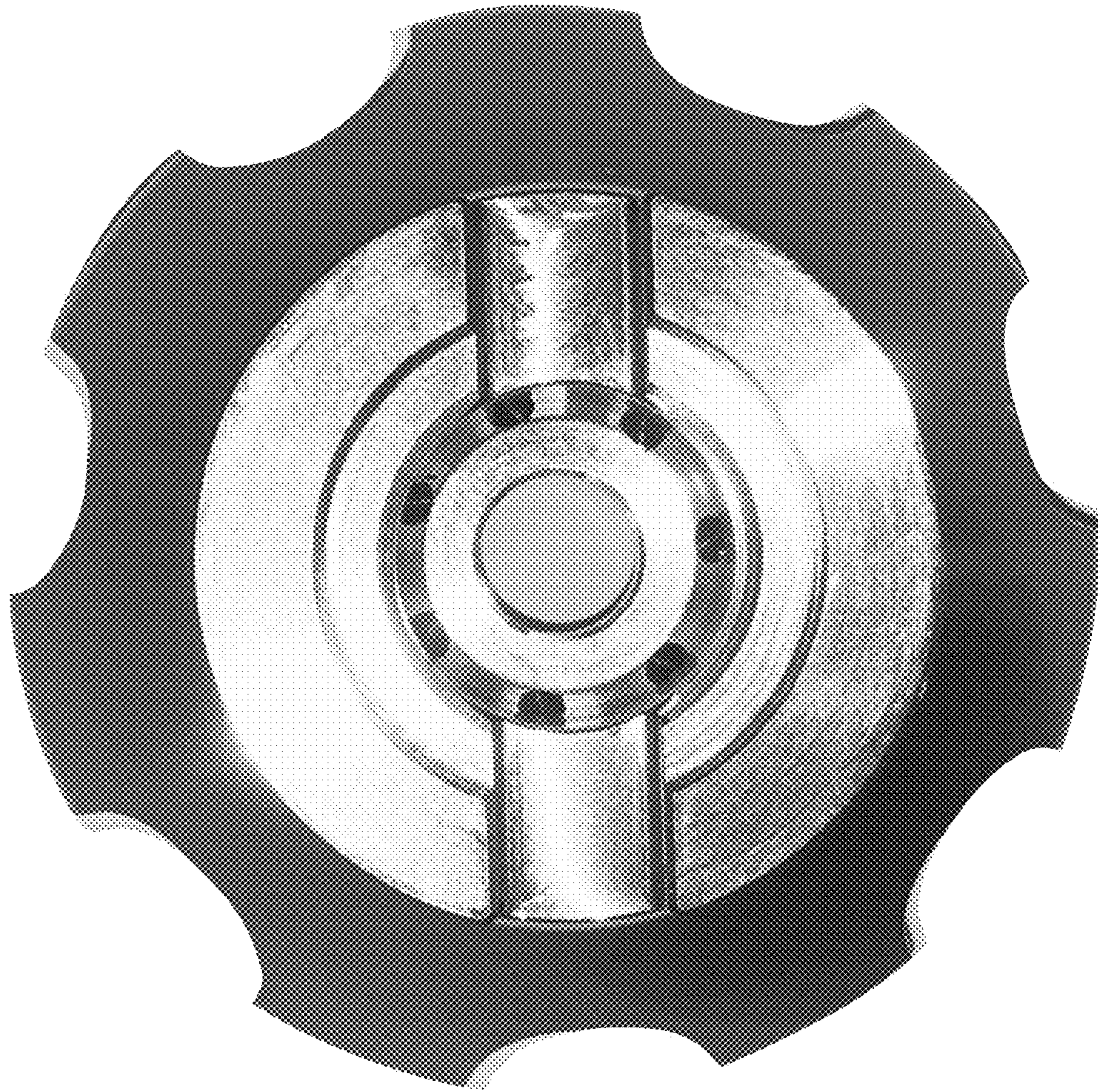


Fig. 7