



US00D953388S

(12) **United States Design Patent** (10) **Patent No.:** **US D953,388 S**
Sato (45) **Date of Patent:** **** May 31, 2022**

(54) **FOOD INDUSTRY MACHINE**

(71) Applicant: **Kazuo Sato**, Kushiro (JP)

(72) Inventor: **Kazuo Sato**, Kushiro (JP)

(**) Term: **15 Years**

(21) Appl. No.: **35/508,740**

(22) Filed: **Aug. 30, 2019**

(80) **Hague Agreement Data**

Int. Filing Date: **Aug. 30, 2019**

Int. Reg. No.: **DM/204337**

Int. Reg. Date: **Aug. 30, 2019**

Int. Reg. Pub. Date: **Mar. 6, 2020**

(51) **LOC (13) Cl.** **31-00**

(52) **U.S. Cl.**
USPC **D15/138**; D15/199; D7/412
CPC **B01F 25/00** (2022.01)

(58) **Field of Classification Search**

USPC D7/372, 376–386, 412, 413, 602, 629,
D7/665, 666, 669, 679, 693, 694;
D15/21, 138, 1, 5, 9, 9.1, 9.2, 130, 131,
D15/144, 144.1, 147, 199; D24/220
CPC A21C 1/02; A21C 1/04; A23N 1/00; A23N
1/02; A47J 43/04; A47J 43/25; A47J
43/27; A47J 43/042; A47J 43/044; A47J
43/046; A47J 43/075; A47J 43/0722;
A47J 43/0727; B01F 3/00; B01F 3/0478;
B01F 3/04241; B01F 3/04531; B01F
3/04539; B01F 3/0807; B01F 3/0853;
B01F 7/001; B01F 7/00341; B01F
7/00358; B01F 7/00475; B01F 7/00633;
B01F 13/0059; B01F 13/0064; B02C
1/08; B02C 2/04; B02C 4/42; B02C
4/142; B02C 4/143; B02C 4/423; B02C
13/1835; B28C 5/10; B28C 5/12; B28C
5/14; B28C 5/16; F01P 5/02; F04D
29/384

See application file for complete search history.

(56) **References Cited**

U.S. PATENT DOCUMENTS

3,290,016 A * 12/1966 Lennon B01F 7/00466
366/317
4,054,272 A * 10/1977 Cooke B01F 7/00141
366/343
4,705,222 A * 11/1987 Shohet B01F 7/027
241/101.8
D316,100 S * 4/1991 Kief 366/129
5,198,156 A * 3/1993 Middleton B01F 3/04531
261/87
5,316,443 A * 5/1994 Smith B01F 7/00275
366/270
5,791,780 A * 8/1998 Bakker B01F 3/04531
366/317
5,904,423 A * 5/1999 Forschner B01F 13/1033
366/317
5,988,604 A * 11/1999 McWhirter C02F 3/16
261/91
6,158,722 A * 12/2000 Gigas B01F 3/04539
261/84

(Continued)

FOREIGN PATENT DOCUMENTS

JP 2018-38279 A 3/2018

Primary Examiner — Richard E Chilcot

(74) *Attorney, Agent, or Firm* — Norton Rose Fulbright
US LLP

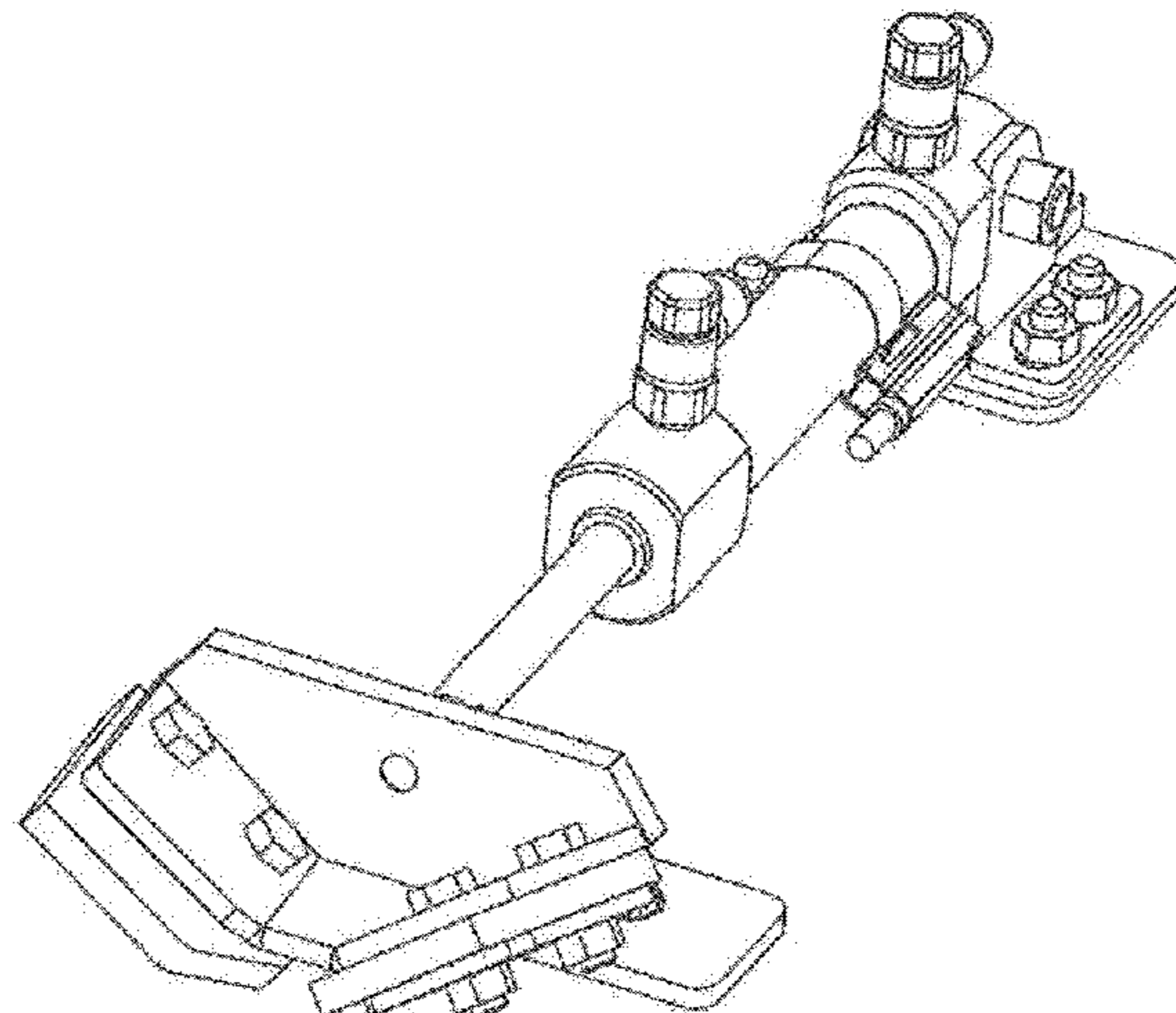
(57) **CLAIM**

The ornamental design for food industry machine, as shown
and described.

DESCRIPTION

- 2. Food industry machine
- 2.1 : Perspective
- 2.2 : Perspective
- 2.3 : Front
- 2.4 : Back
- 2.5 : Top

(Continued)



2.6 : Bottom
 2.7 : Left
 2.8 : Right

1 Claim, 8 Drawing Sheets

(56)

References Cited

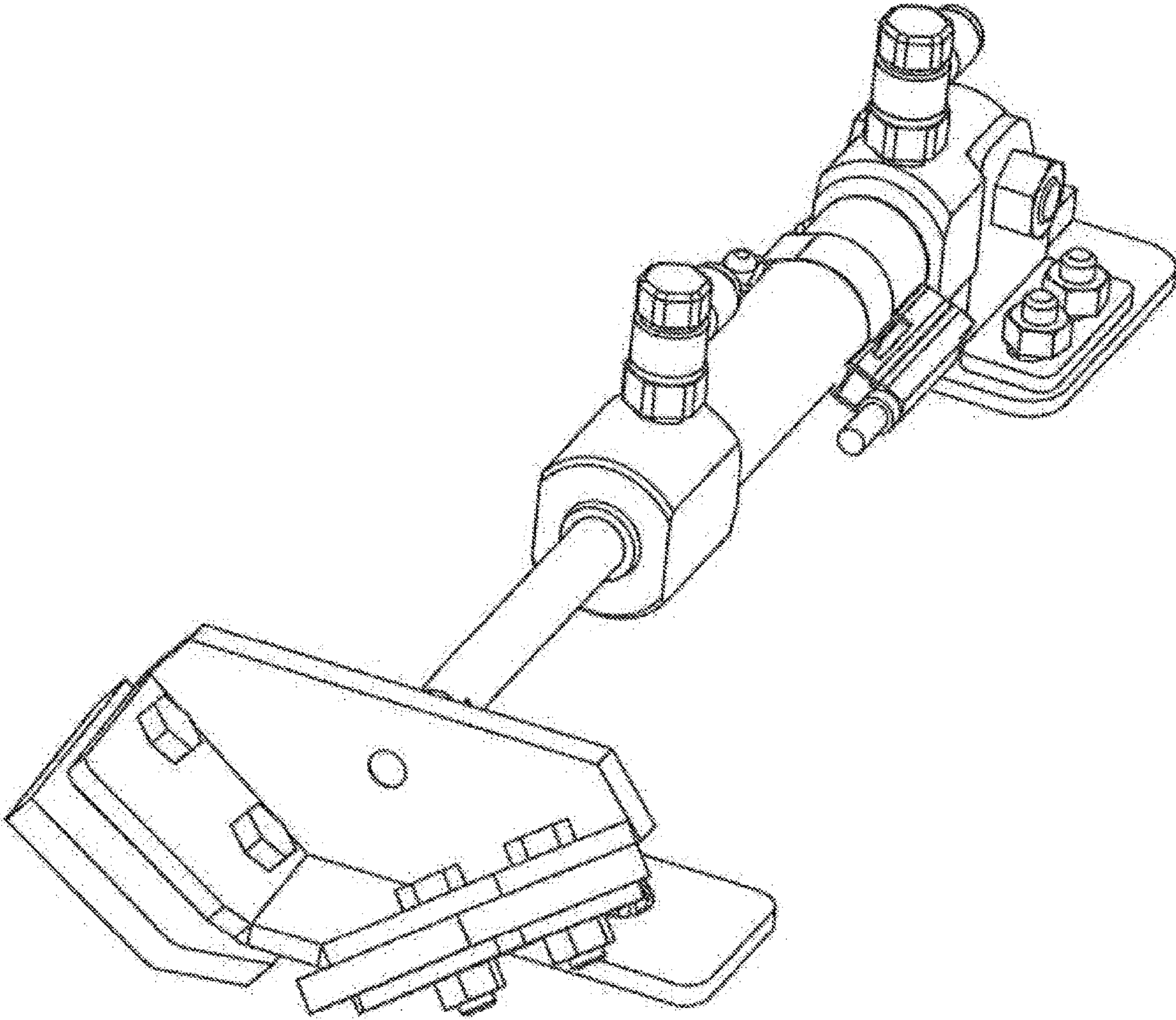
U.S. PATENT DOCUMENTS

6,250,797 B1 * 6/2001 Weetman B01F 3/04531
 261/93
 6,334,705 B1 * 1/2002 Weetman B01F 3/04531
 366/330.1
 D468,009 S * 12/2002 Hoenderkamp D23/379
 D476,522 S * 7/2003 Renz D7/376
 6,715,912 B2 * 4/2004 McWhirter B01F 3/04609
 261/91
 6,860,631 B2 * 3/2005 McWhirter B01F 3/04609
 261/91
 6,866,414 B2 * 3/2005 Kupidlowski B01F 7/001
 366/330.3
 6,877,959 B2 * 4/2005 McWhirter B01F 3/0478
 366/265
 D529,526 S * 10/2006 Gringer D15/147
 7,114,844 B2 * 10/2006 Weetman B01F 3/0478
 366/328.3
 7,296,925 B2 * 11/2007 Himmelsbach B01F 7/00275
 366/330.3

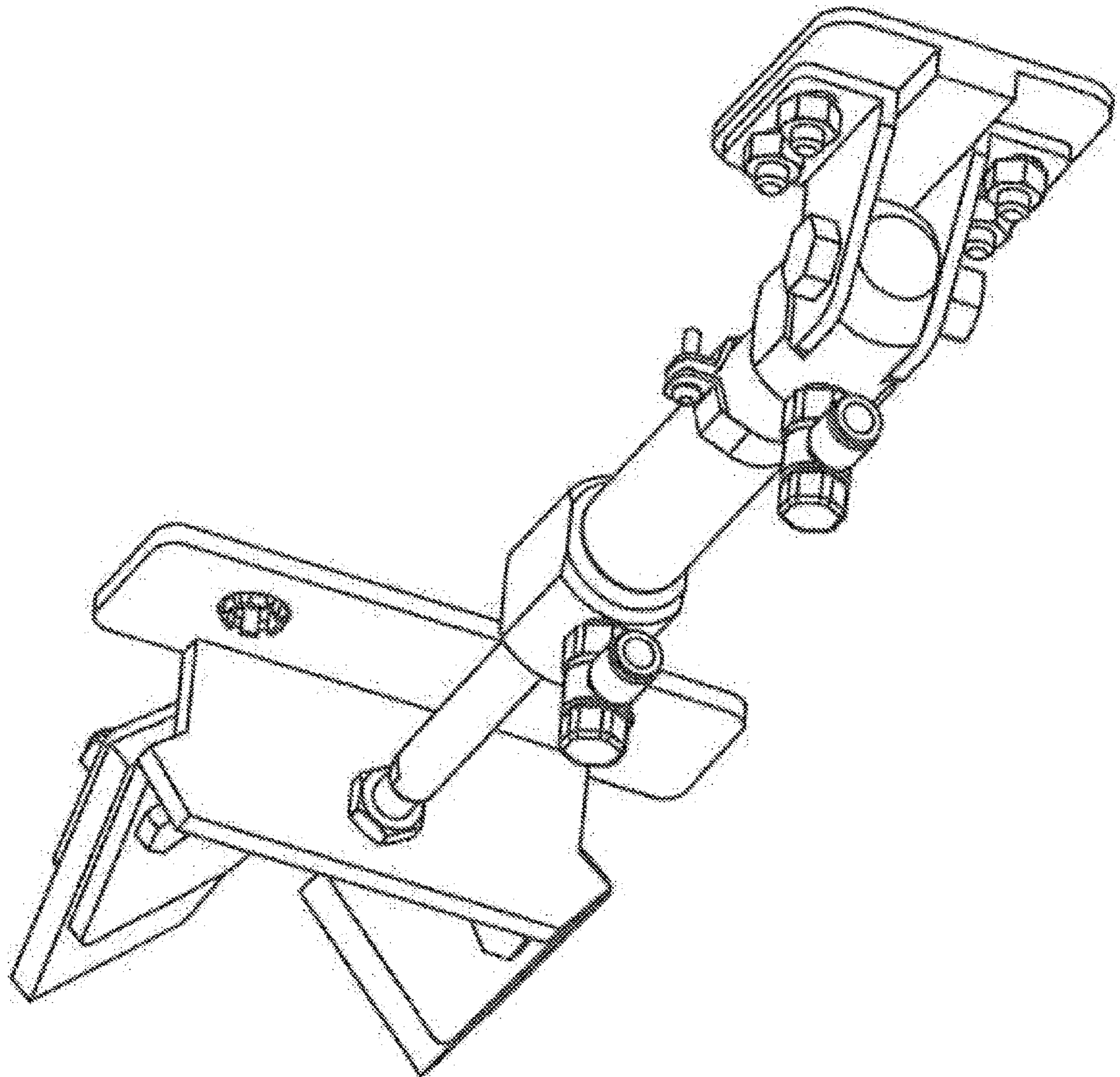
D566,143 S * 4/2008 Rosso D15/138
 D576,186 S * 9/2008 Rosso B01F 7/00633
 D15/138
 D617,135 S * 6/2010 Reay D7/376
 D625,747 S * 10/2010 Reay B01F 11/0088
 D15/147
 7,887,230 B2 * 2/2011 Rosso B01F 7/00275
 366/129
 D664,262 S * 7/2012 Khan D24/220
 D664,807 S * 8/2012 Annis D7/412
 D682,330 S * 5/2013 Reay D15/147
 D697,942 S * 1/2014 Puczok D15/5
 D729,573 S * 5/2015 Moon D7/412
 D733,200 S * 6/2015 Tremblay D15/147
 D746,883 S * 1/2016 Strommer D15/138
 D766,658 S * 9/2016 Strommer D7/412
 D767,332 S * 9/2016 Strommer D7/412
 D768,742 S * 10/2016 Charbonneau D15/139
 D785,810 S * 5/2017 Wang D24/220
 D787,085 S * 5/2017 Anders D24/220
 D804,247 S * 12/2017 Winn D7/412
 9,879,697 B2 * 1/2018 Strommer F04D 29/181
 9,895,670 B2 * 2/2018 Anders B01L 9/06
 D828,079 S * 9/2018 Winn A47G 19/2272
 D7/376
 D882,634 S * 4/2020 Guglielmo D15/1
 D891,634 S * 7/2020 Skakoon D24/220
 2003/0107950 A1 * 6/2003 Shepherd B01F 7/0045
 366/317

* cited by examiner

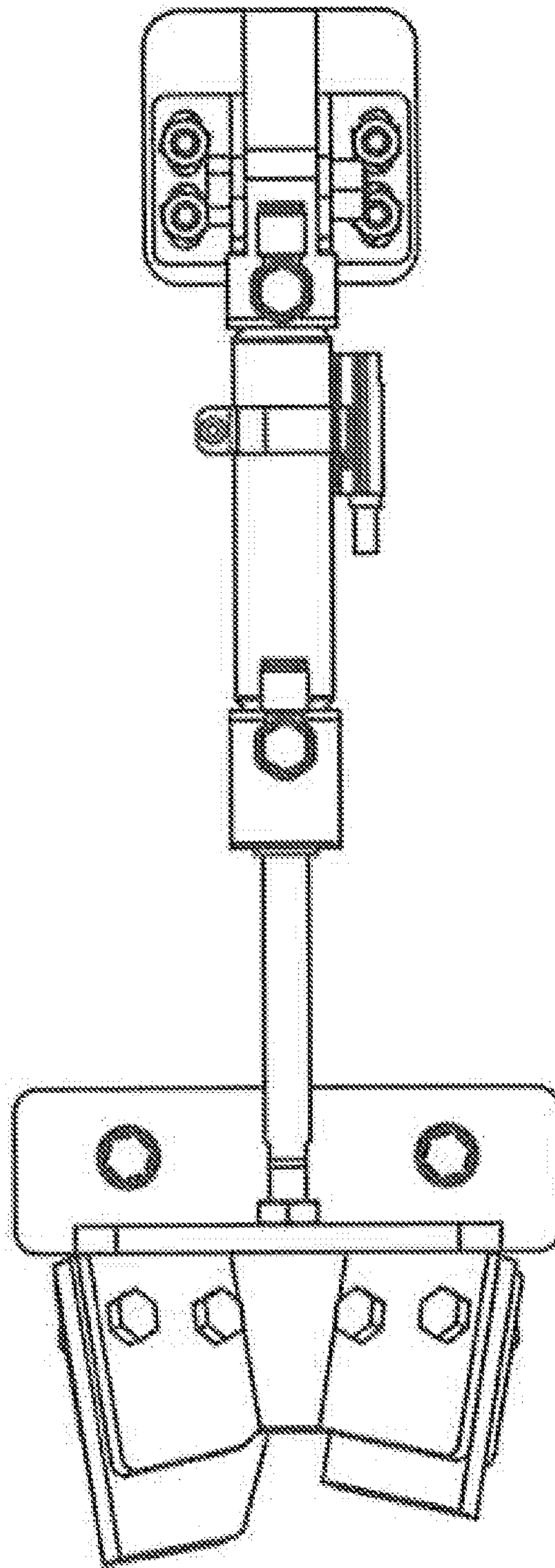
2.1



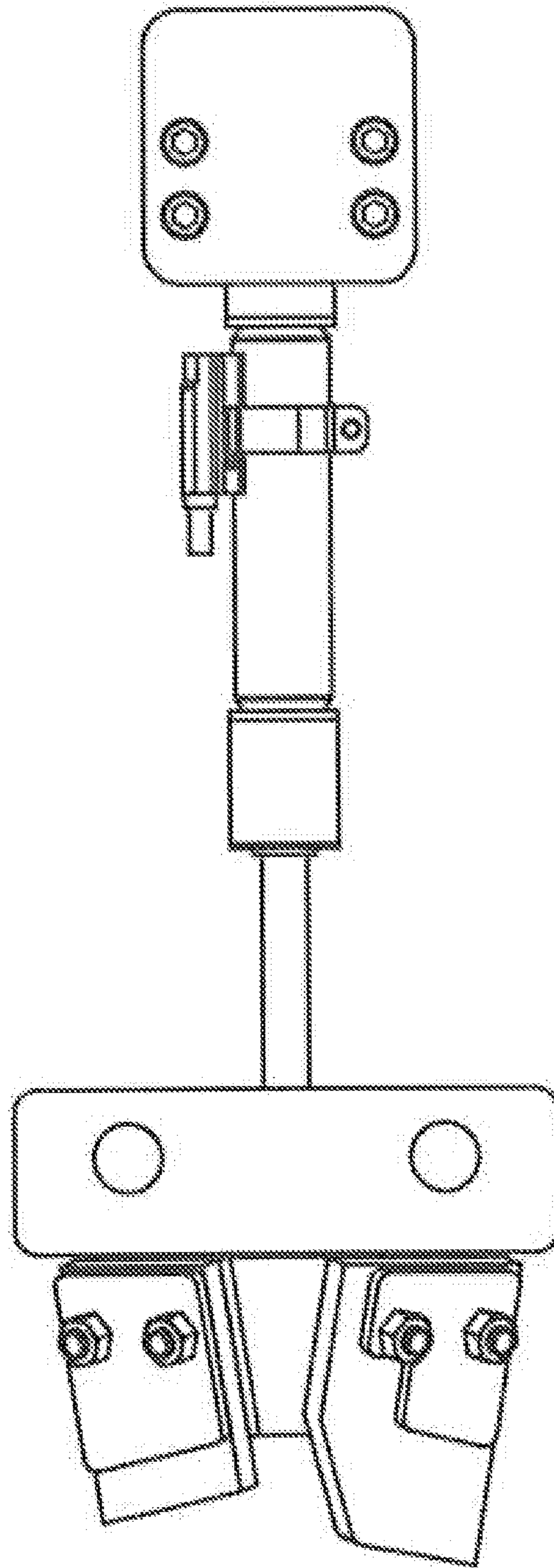
2.2



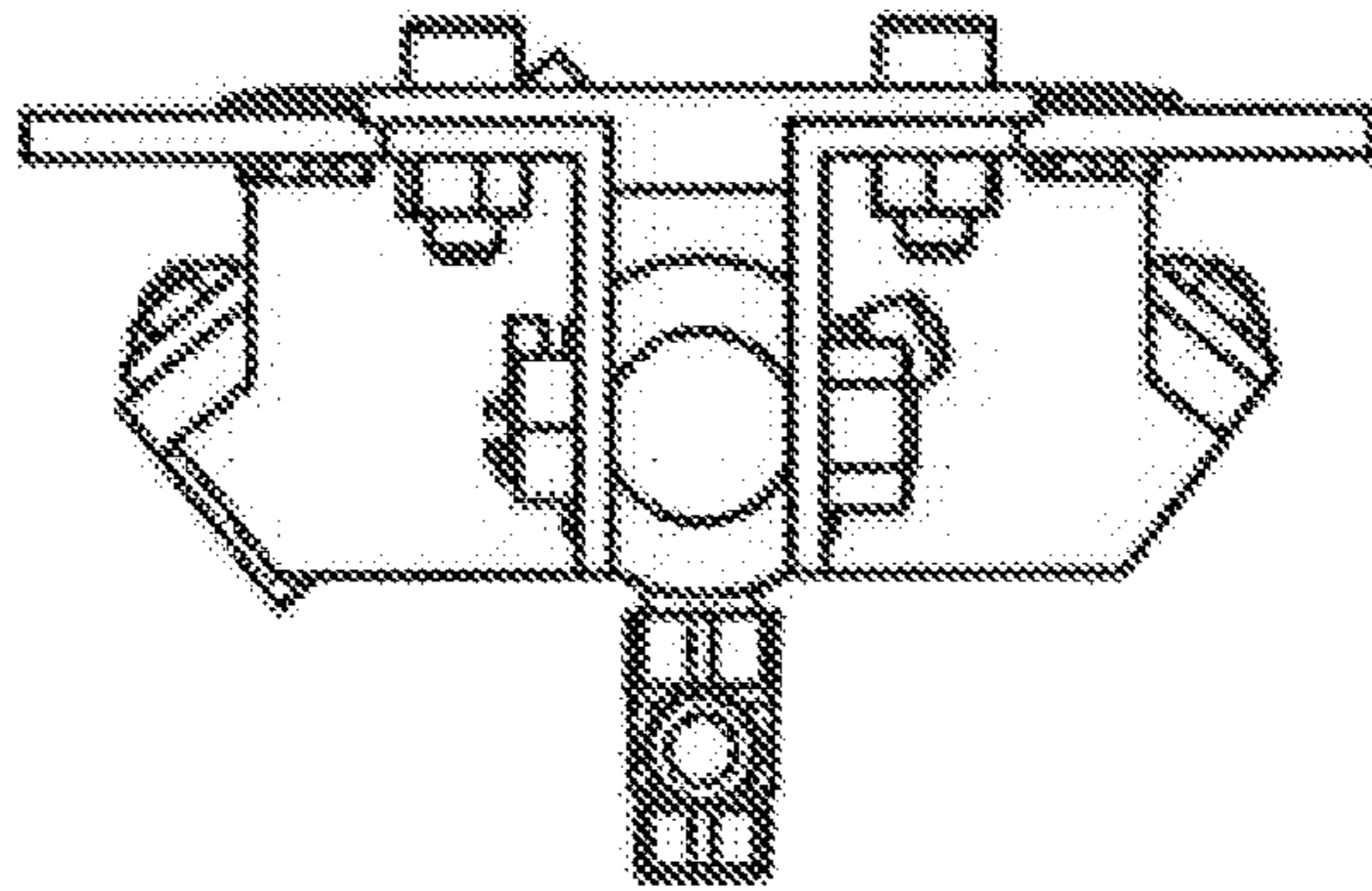
2.3



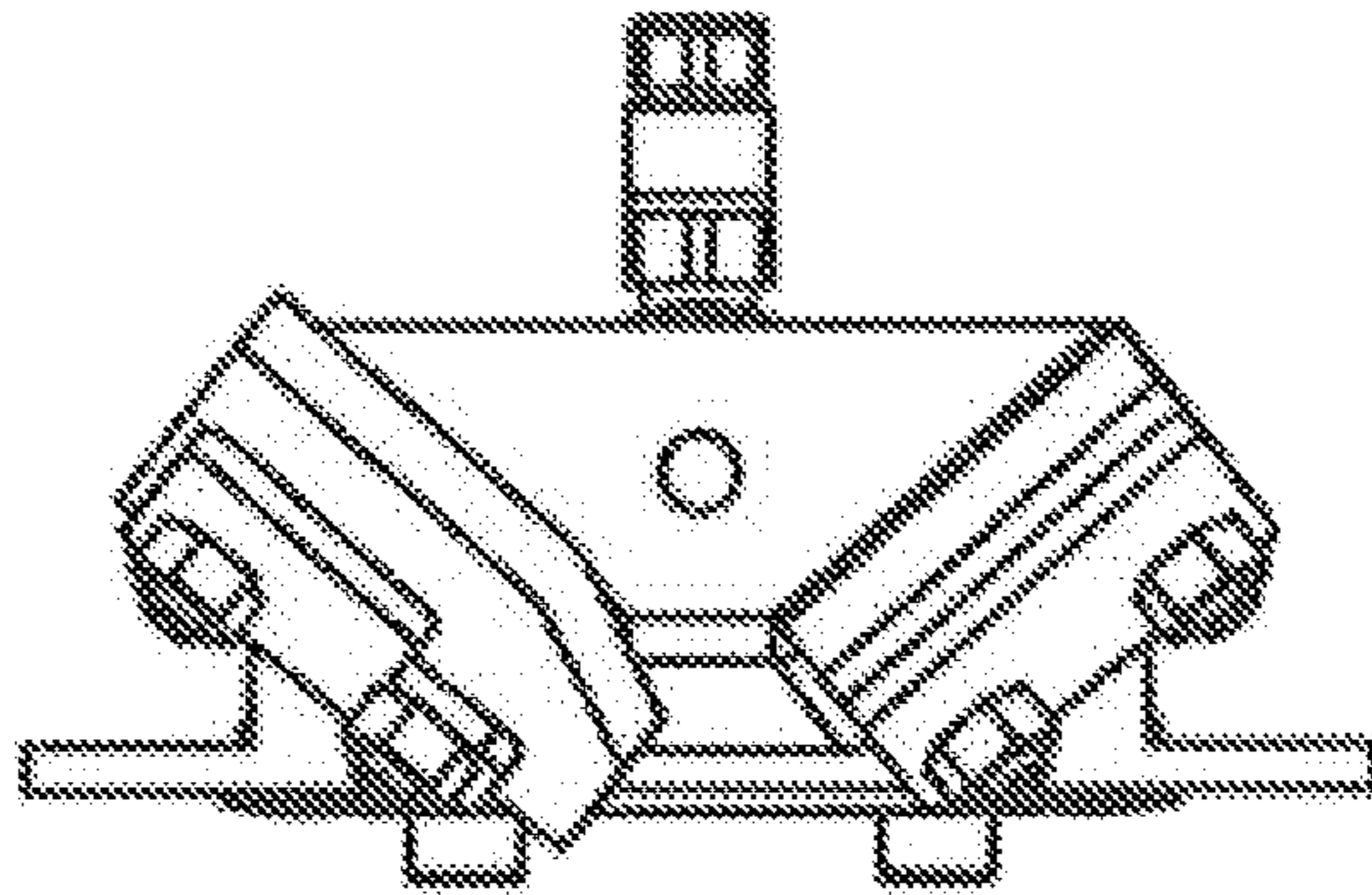
2.4



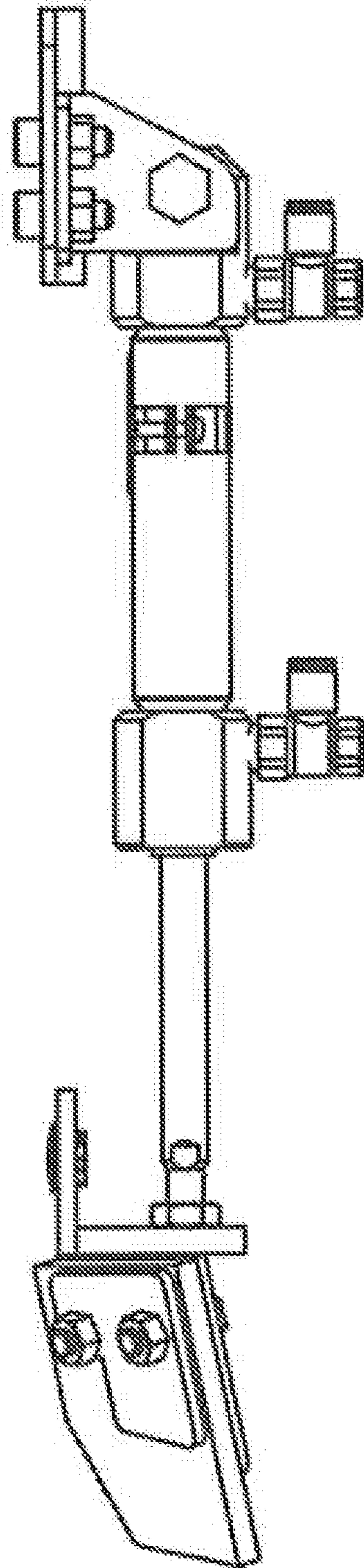
2.5



2.6



2.7



2.8

