



US00D953387S

(12) **United States Design Patent**  
**Wang et al.**

(10) **Patent No.:** **US D953,387 S**  
(45) **Date of Patent:** **\*\* May 31, 2022**

(54) **FOIL APPLICATION TOOL**

(71) Applicant: **Cricut, Inc.**, South Jordan, UT (US)

(72) Inventors: **Zhian Wang**, Holladay, UT (US);  
**Thomas Crisp**, Cottonwood Heights,  
UT (US); **Joaquin Fernandez**,  
Oakland, CA (US)

(73) Assignee: **Cricut, Inc.**, South Jordan, UT (US)

(\*\*) Term: **15 Years**

(21) Appl. No.: **29/751,827**

(22) Filed: **Sep. 23, 2020**

(51) **LOC (13) Cl.** ..... **15-09**

(52) **U.S. Cl.**  
USPC ..... **D15/138**

(58) **Field of Classification Search**  
USPC .... D8/14, 47; D15/126, 127, 136, 138, 140;  
D18/34.3, 99  
CPC ..... B32B 38/14; B32B 38/10; B32B 37/22;  
B32B 2310/0843; B32B 2037/0069;  
B32B 2037/0061; B32B 2311/10  
See application file for complete search history.

(56) **References Cited**

**U.S. PATENT DOCUMENTS**

5,435,882 A \* 7/1995 Azamar ..... B32B 37/22  
156/233  
D584,751 S \* 1/2009 Schreck ..... D15/135

D614,214 S \* 4/2010 Vander Woude ..... D15/127  
D852,269 S \* 6/2019 Umezawa ..... D18/34.3  
D877,214 S \* 3/2020 Crisp ..... D15/127  
2003/0209833 A1 \* 11/2003 Bemis ..... B29C 45/1603  
264/328.8  
2013/0008292 A1 \* 1/2013 Kawaguchi ..... B26F 1/3813  
83/76.1  
2014/0260854 A1 \* 9/2014 Tokura ..... B26D 5/007  
83/76.1  
2015/0258699 A1 \* 9/2015 Vander Woude ..... B26D 5/34  
83/13  
2017/0259450 A1 \* 9/2017 Oka ..... B65H 35/0086  
2019/0106838 A1 \* 4/2019 Hoffman, Jr. .... B41F 16/02

\* cited by examiner

*Primary Examiner* — Philip S Hyder

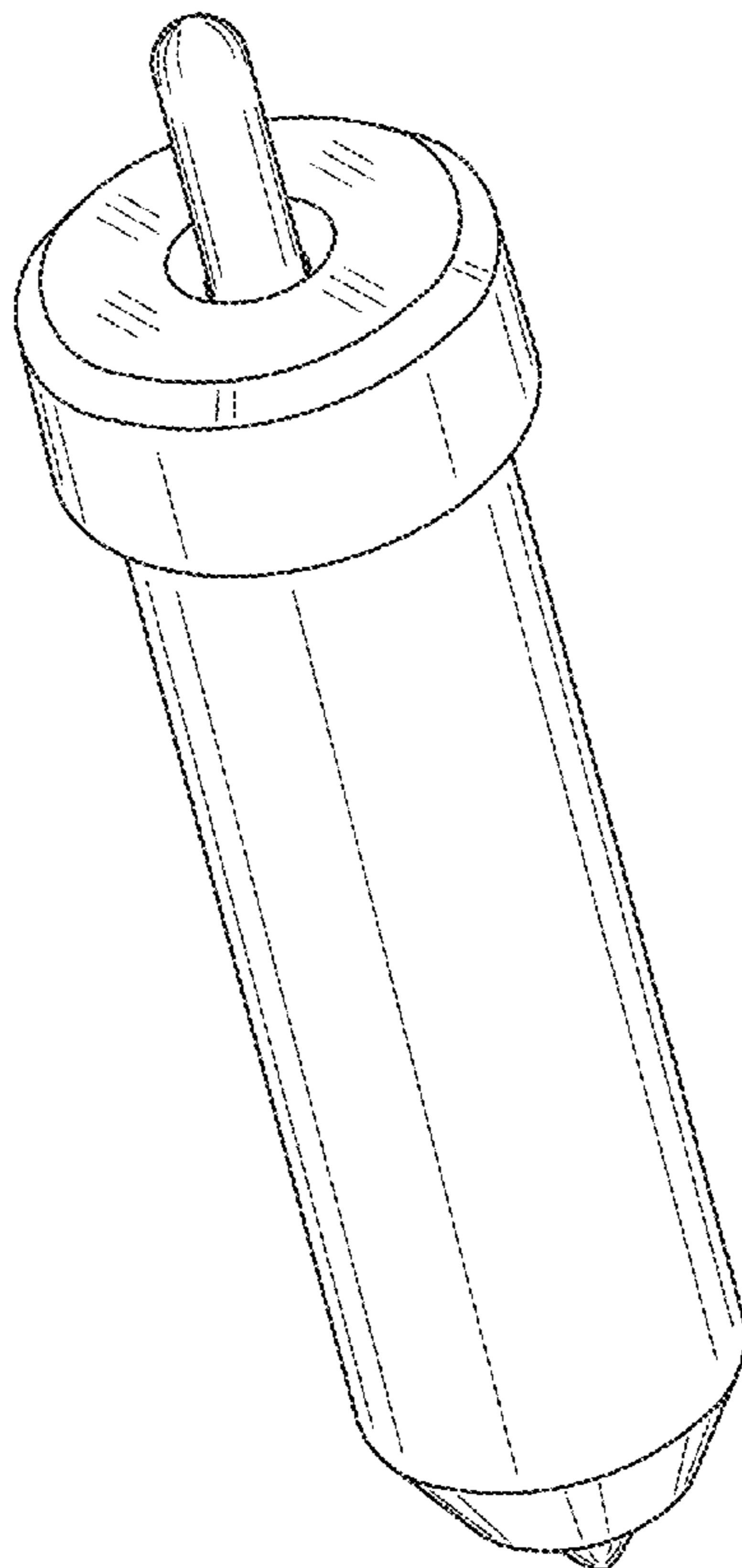
(57) **CLAIM**

The ornamental design for a foil application tool, as shown and described.

**DESCRIPTION**

FIG. 1 is a front, left, top isometric view of an embodiment of a foil application tool;  
FIG. 2 is a rear, left, bottom isometric view thereof;  
FIG. 3 is a front elevation view thereof;  
FIG. 4 is a rear elevation view thereof;  
FIG. 5 is a left elevation view thereof;  
FIG. 6 is a right elevation view thereof;  
FIG. 7 is a top plan view thereof; and,  
FIG. 8 is bottom plan view thereof.

**1 Claim, 5 Drawing Sheets**



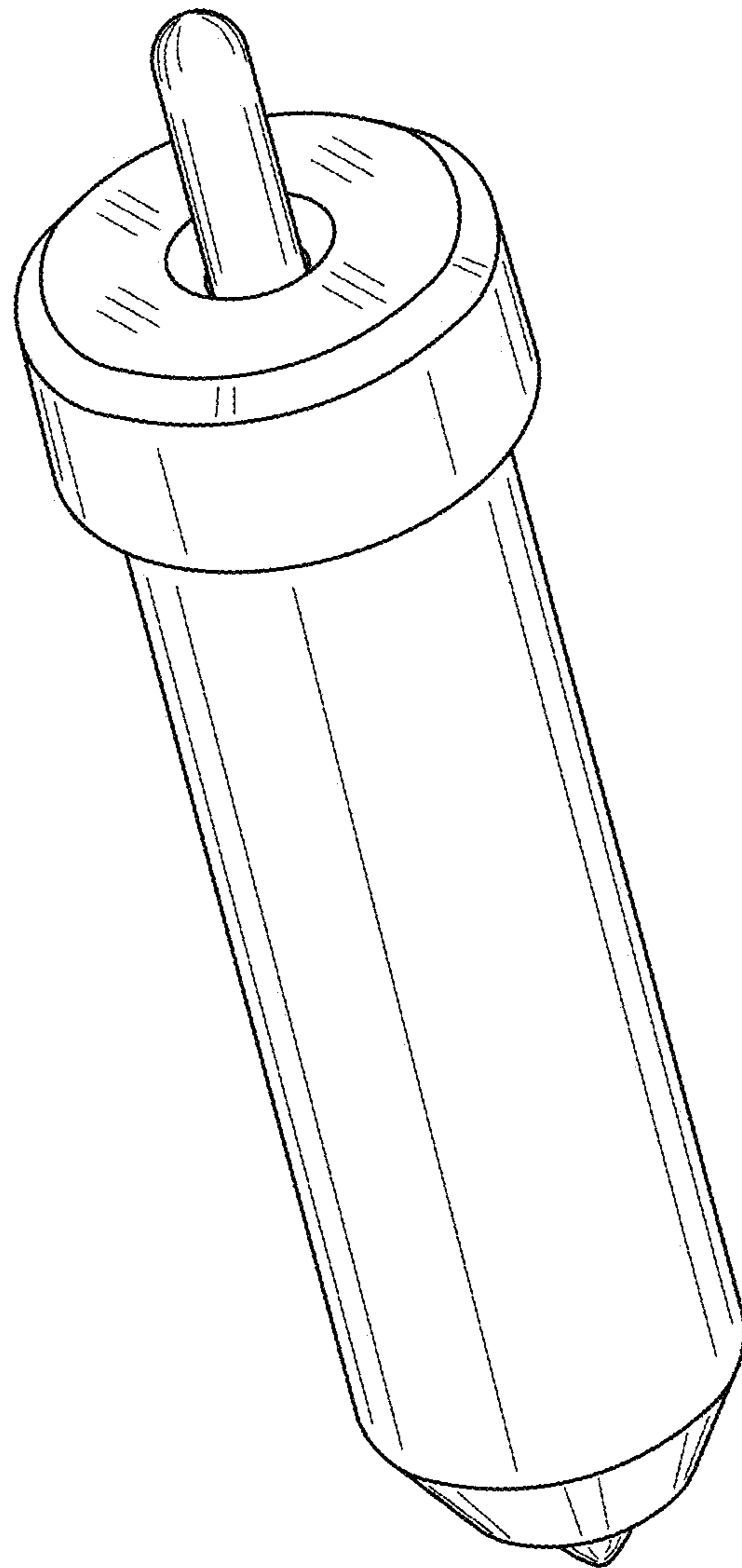


FIG. 1

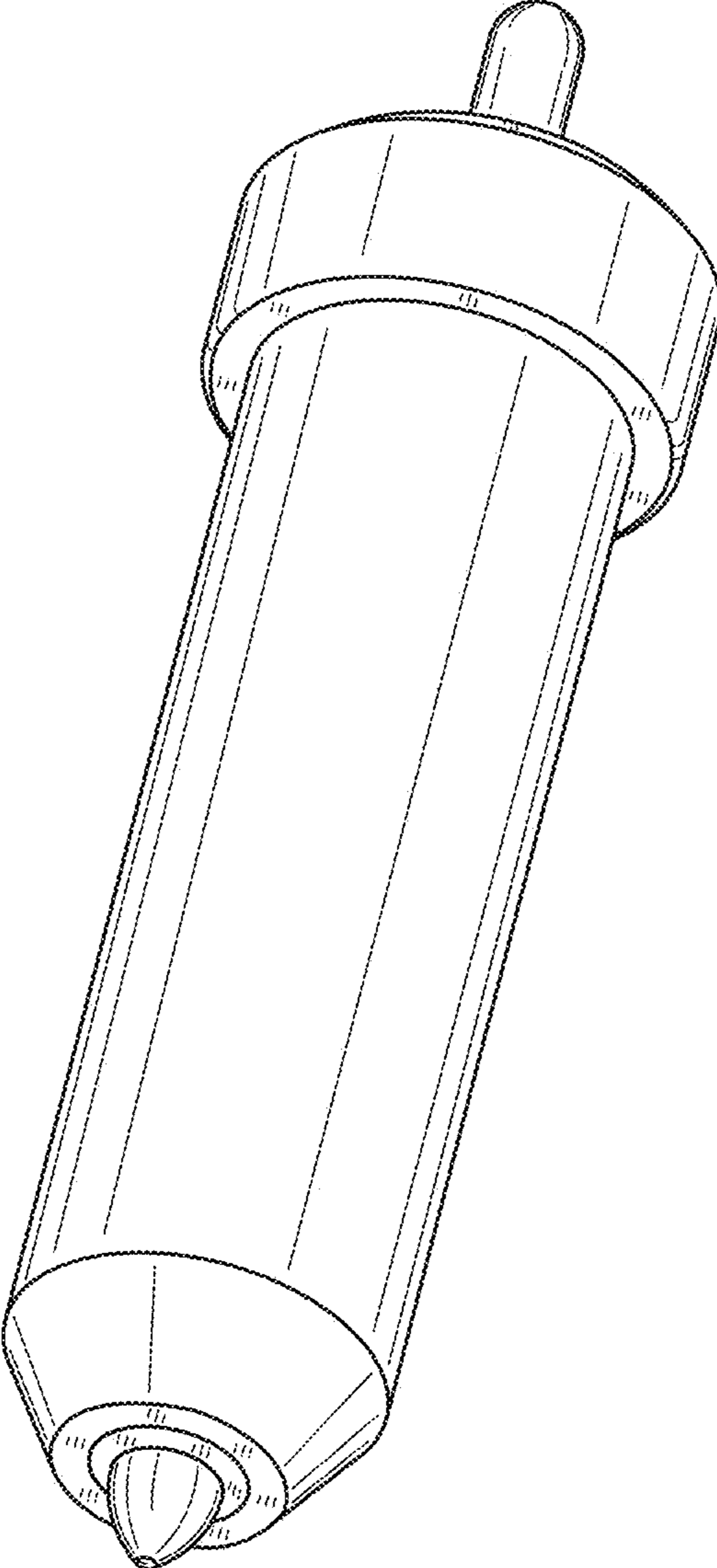


FIG. 2

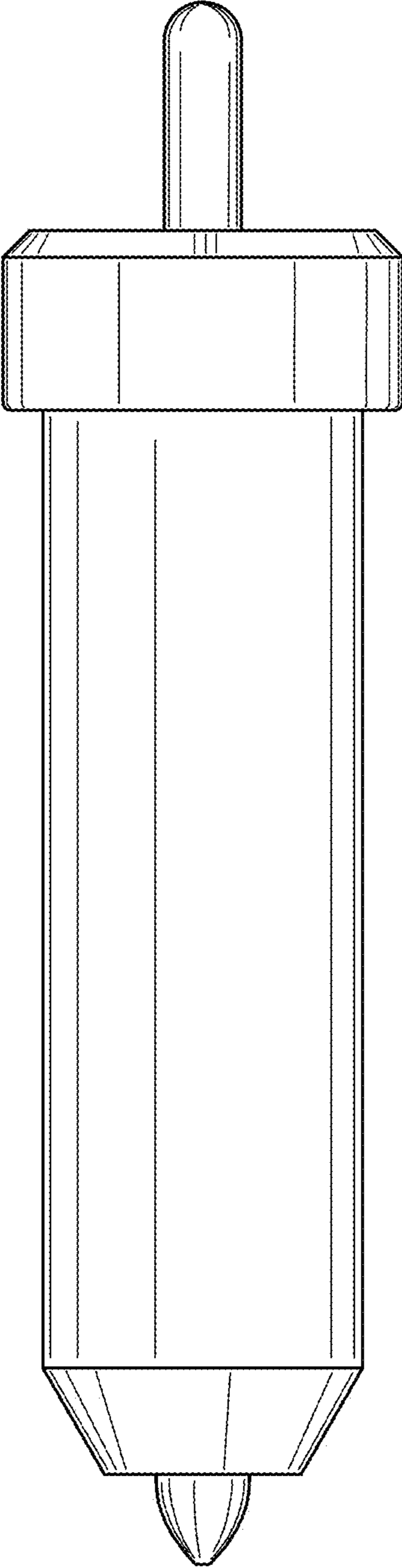


FIG. 3

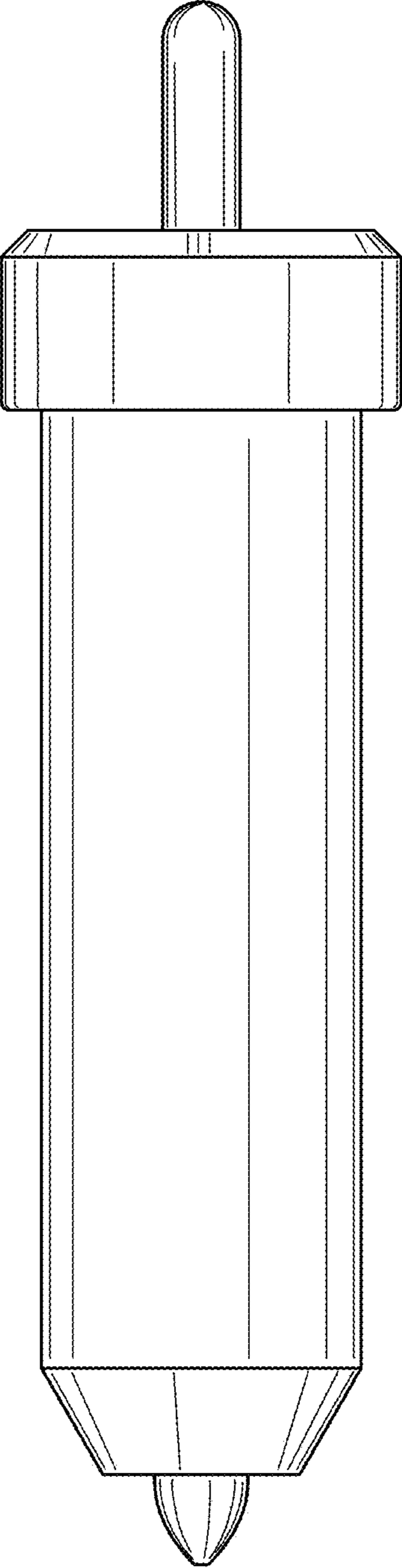


FIG. 4

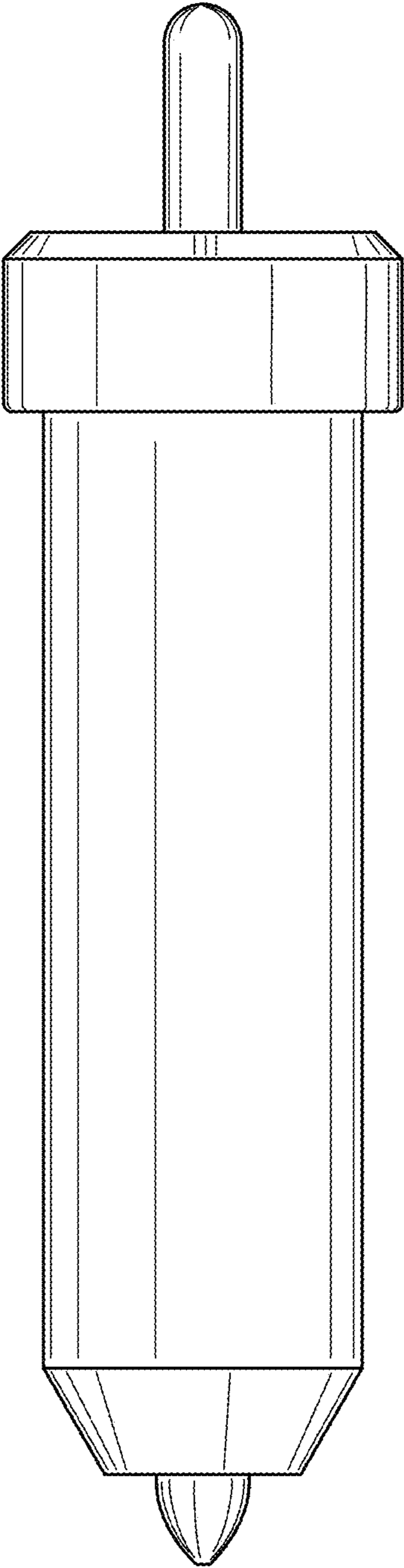


FIG. 5

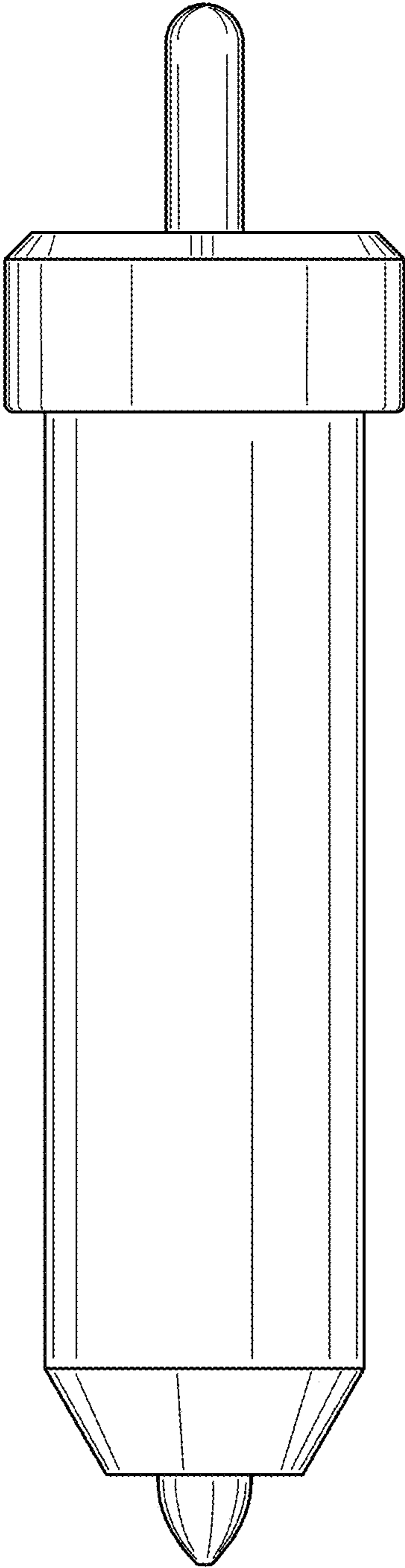


FIG. 6

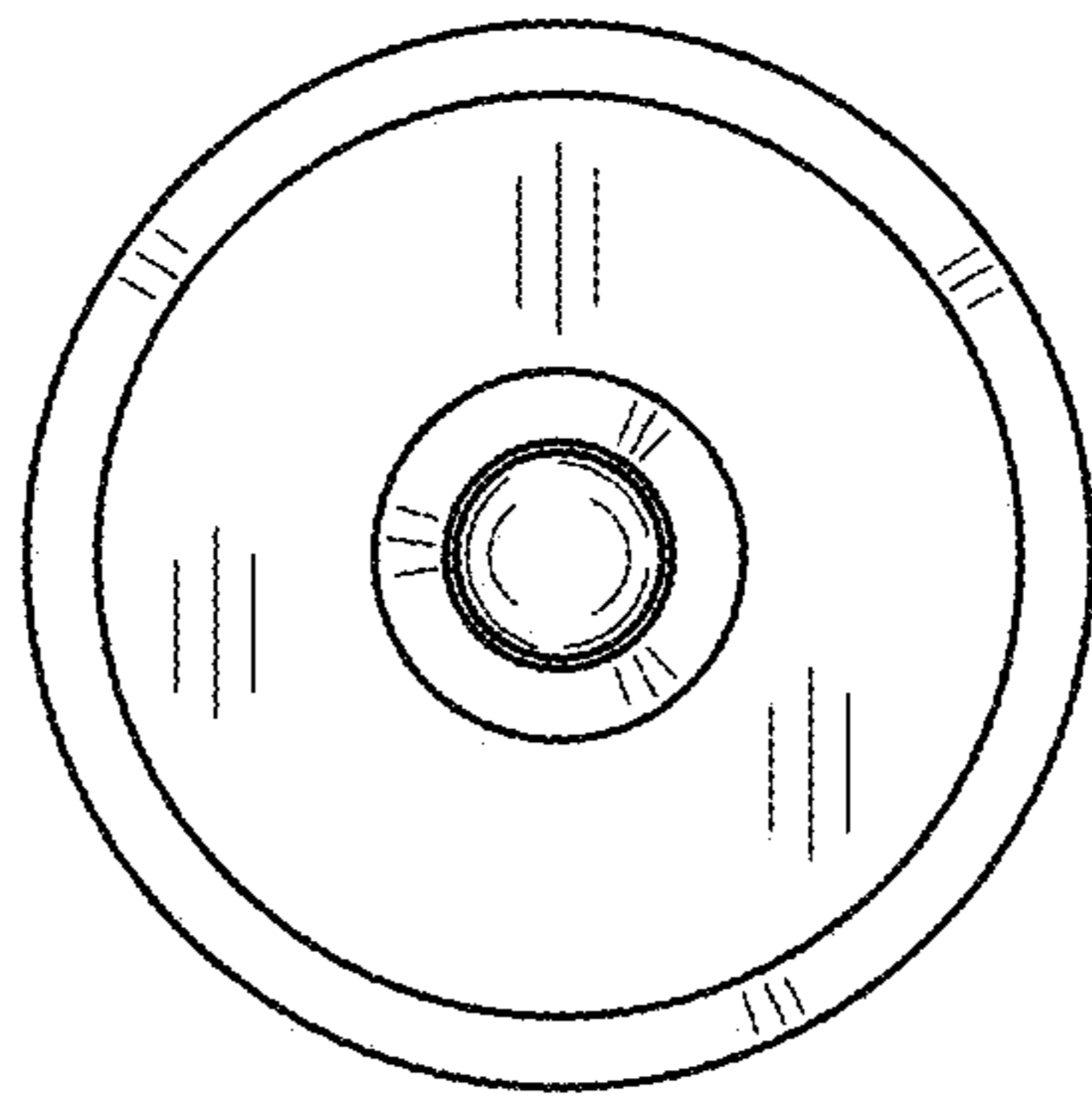


FIG. 7

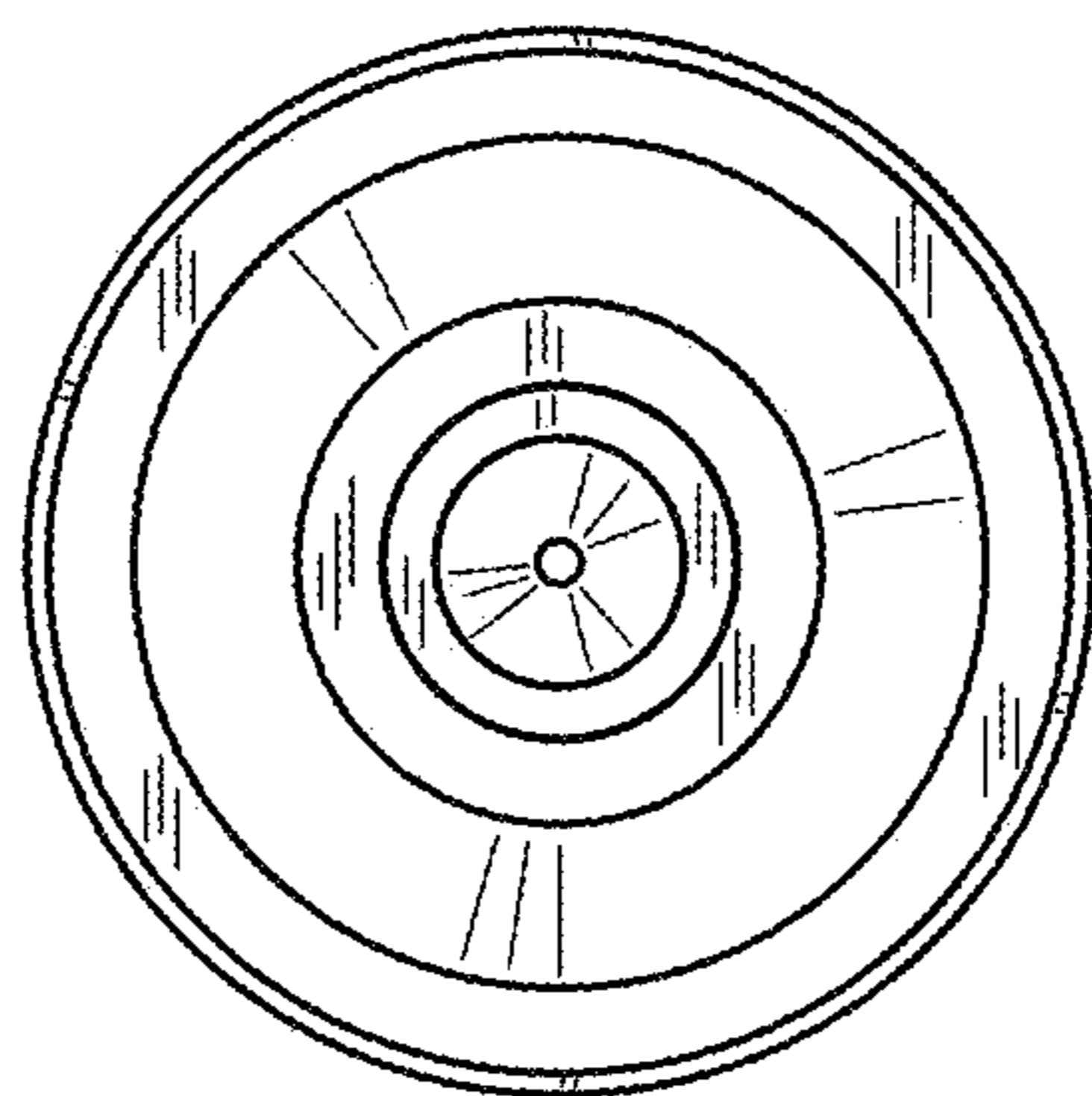


FIG. 8