



US00D953385S

(12) **United States Design Patent**
Lee et al.

(10) **Patent No.:** **US D953,385 S**
(45) **Date of Patent:** **** May 31, 2022**

(54) **REFRIGERATOR**

(71) Applicant: **Samsung Electronics Co., Ltd.**,
Suwon-si (KR)

(72) Inventors: **Junkyo Lee**, Suwon-si (KR); **Hyeongju Seo**,
Suwon-si (KR); **Jichang Kang**, Suwon-si (KR)

(73) Assignee: **SAMSUNG ELECTRONICS CO., LTD.**,
Gyeonggi-Do (KR)

(**) Term: **15 Years**

(21) Appl. No.: **29/730,289**

(22) Filed: **Apr. 2, 2020**

(30) **Foreign Application Priority Data**

Oct. 4, 2019 (KR) 30-2019-0047607

(51) **LOC (13) Cl.** **15-07**

(52) **U.S. Cl.**
USPC **D15/79; D15/88**

(58) **Field of Classification Search**
USPC D15/79, 80, 81, 82, 83, 84, 85, 86, 87,
D15/88, 89, 90, 91; 312/112, 113, 114,
(Continued)

(56) **References Cited**

U.S. PATENT DOCUMENTS

D541,315 S 4/2007 Trulaske et al.
D602,051 S * 10/2009 Yalcin D15/87
(Continued)

FOREIGN PATENT DOCUMENTS

CN 304249881 * 8/2017
CN 304349505 * 11/2017
(Continued)

OTHER PUBLICATIONS

Smeg [online] URL: <https://www.amazon.com/Smeg-Aesthetic-Refrigerator-Multiflow-Adjustable/dp/B07RHQ87PC> (site visited:
Nov. 16, 2021) (Year: 2020).*

(Continued)

Primary Examiner — Jae Liang

Assistant Examiner — Tia Ruth-Renee Polidori

(74) *Attorney, Agent, or Firm* — Cantor Colburn LLP

(57) **CLAIM**

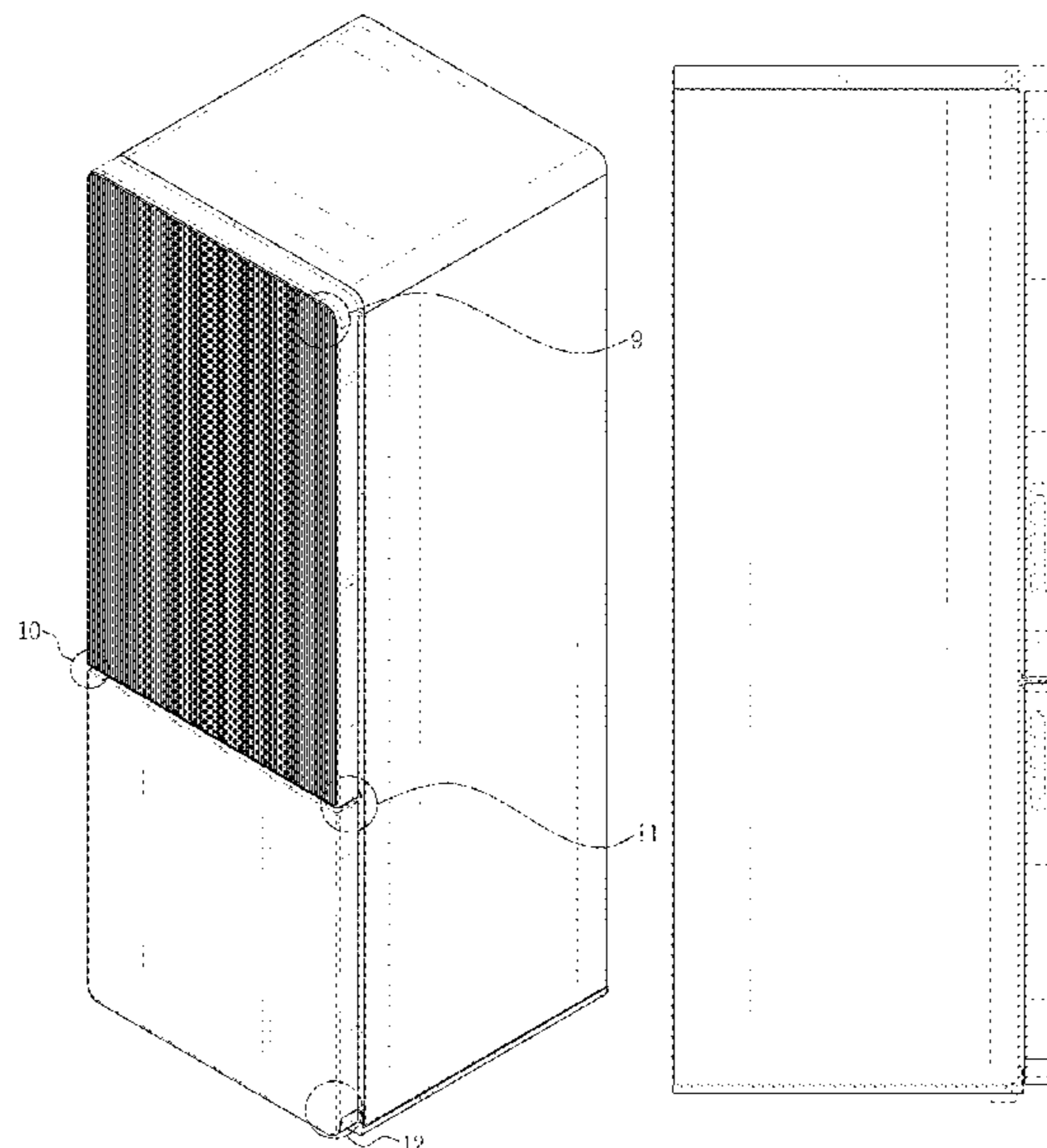
The ornamental design for a refrigerator, as shown and described.

DESCRIPTION

FIG. 1 is a front perspective view of a refrigerator, showing our new design;
FIG. 2 is a front view thereof;
FIG. 3 is a rear view thereof;
FIG. 4 is a left side view thereof;
FIG. 5 is a right side view thereof;
FIG. 6 is a top view thereof;
FIG. 7 is a bottom view thereof;
FIG. 8 is rear perspective view thereof;
FIG. 9 is an enlarged view of the encircled portion 9 of FIG. 1;
FIG. 10 is an enlarged view of the encircled portion 10 of FIG. 1;
FIG. 11 is an enlarged view of the encircled portion 11 of FIG. 1;
FIG. 12 is an enlarged view of the encircled portion 12 of FIG. 1;
FIG. 13 is an enlarged view of the encircled portion 13 of FIG. 6; and,
FIG. 14 is an enlarged view of the encircled portion 14 of FIG. 8.

The dash-dash broken lines illustrate portions of the refrigerator that form no part of the claimed design.
The dash-dot-dot-dash broken lines encircling enlarged portions of the refrigerator form no part of the claimed design.

1 Claim, 14 Drawing Sheets



(58) **Field of Classification Search**

USPC 312/115, 116, 117, 118, 119, 236, 352,
 312/400, 401, 402, 403, 404, 405, 406,
 312/407, 408; 62/3.1, 3.6, 3.63, 3.64,
 62/293, 371, 400, 467, 529, 531, 457.9
 CPC .. F25D 23/028; F25D 2323/024; F25D 23/00;
 F25D 23/02; F25D 2323/021; F25D
 23/065; F25D 11/00; F25D 2201/14;
 F25D 23/021; F25D 23/025; F25D 23/04;
 F25D 27/00; F25D 23/062; F25D 23/067;
 F25D 2400/18; F25D 23/08; F25D
 23/085; F25D 2500/02; F25D 25/00;
 F25D 25/005; F25D 25/022; F25D
 25/024; F25D 17/047; F25D 2317/041;
 F25D 2317/04131; F25D 2317/043; F25D
 2317/0664; F25D 2321/147; F25D
 2323/02; F25D 2323/023; F25D 2400/12
 See application file for complete search history.

(56) **References Cited**

U.S. PATENT DOCUMENTS

D615,999 S * 5/2010 Yamaguchi D15/85
 D672,374 S * 12/2012 Choi D15/83
 D711,899 S * 8/2014 Hwang D14/486
 D718,348 S * 11/2014 Kim D15/81

D719,193 S * 12/2014 Park D15/79
 D776,171 S * 1/2017 Wang D15/88
 D803,903 S * 11/2017 Wang D15/88
 D807,409 S * 1/2018 Onrat D15/85
 D821,458 S * 6/2018 Kim D15/81
 D822,722 S * 7/2018 Lee D15/88
 D825,619 S * 8/2018 Lee D15/81
 D825,622 S * 8/2018 Kwon D15/88
 D829,775 S * 10/2018 Kim D15/81
 D853,454 S * 7/2019 Kim D15/81
 D893,560 S * 8/2020 Giulietti D15/81
 D908,748 S * 1/2021 Lee D15/91
 D921,065 S * 6/2021 Lee D15/89
 D921,711 S * 6/2021 Lee D15/85
 D923,064 S * 6/2021 Incukur D15/81

FOREIGN PATENT DOCUMENTS

CN 306197090 * 11/2020
 EM 0011204890006 4/2009
 KR 300782828 1/2015
 KR 300787904 3/2015
 KR 300980757 11/2018
 WO WOD207444-002 * 1/2021

OTHER PUBLICATIONS

Becki Owens [online] URL: <https://beckiowens.com/reeded-cabinetry-design-trend-2021/> (site visited: Nov. 16, 2021) (Year: 2021).*

* cited by examiner

FIG. 1

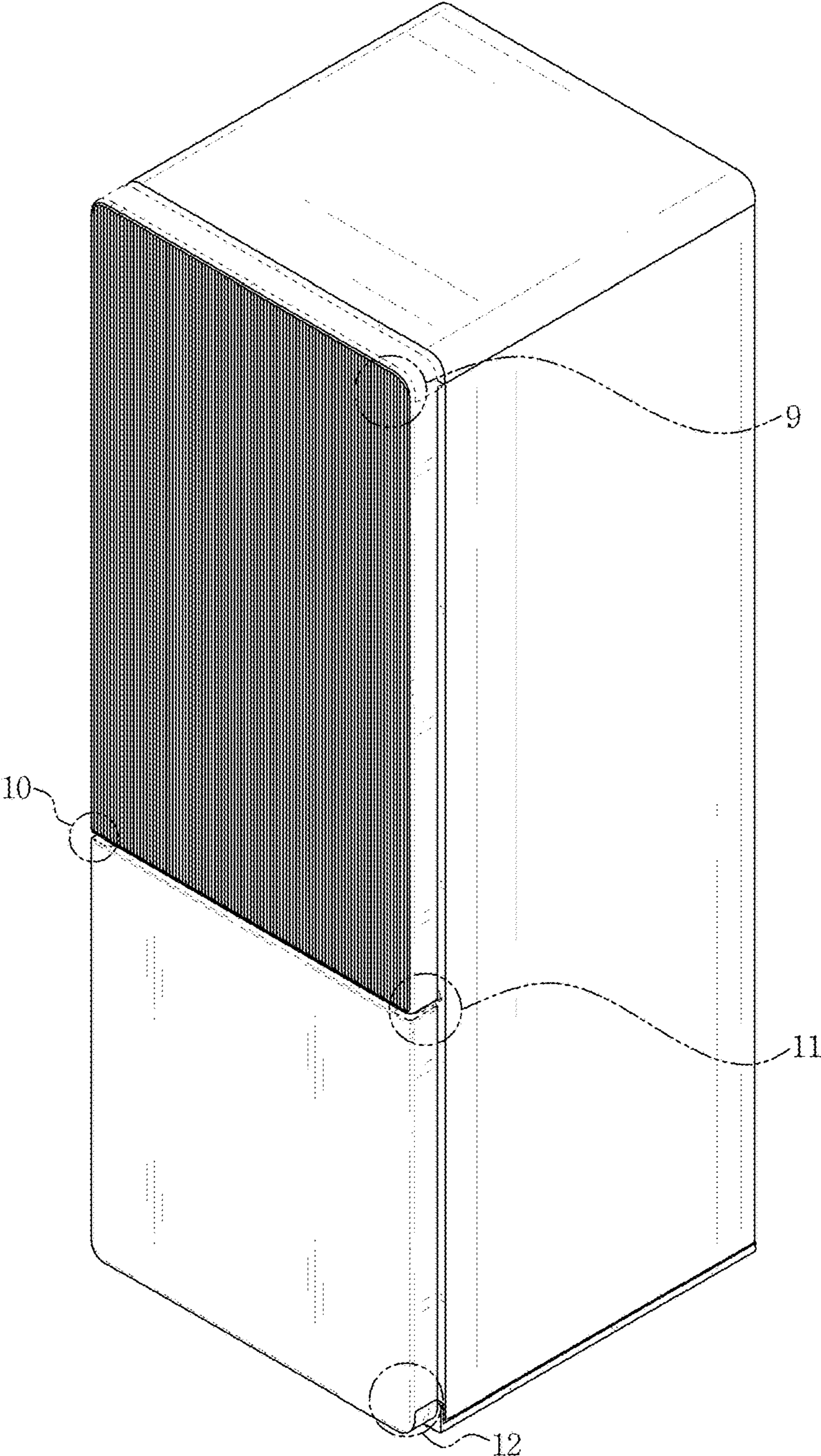


FIG. 2

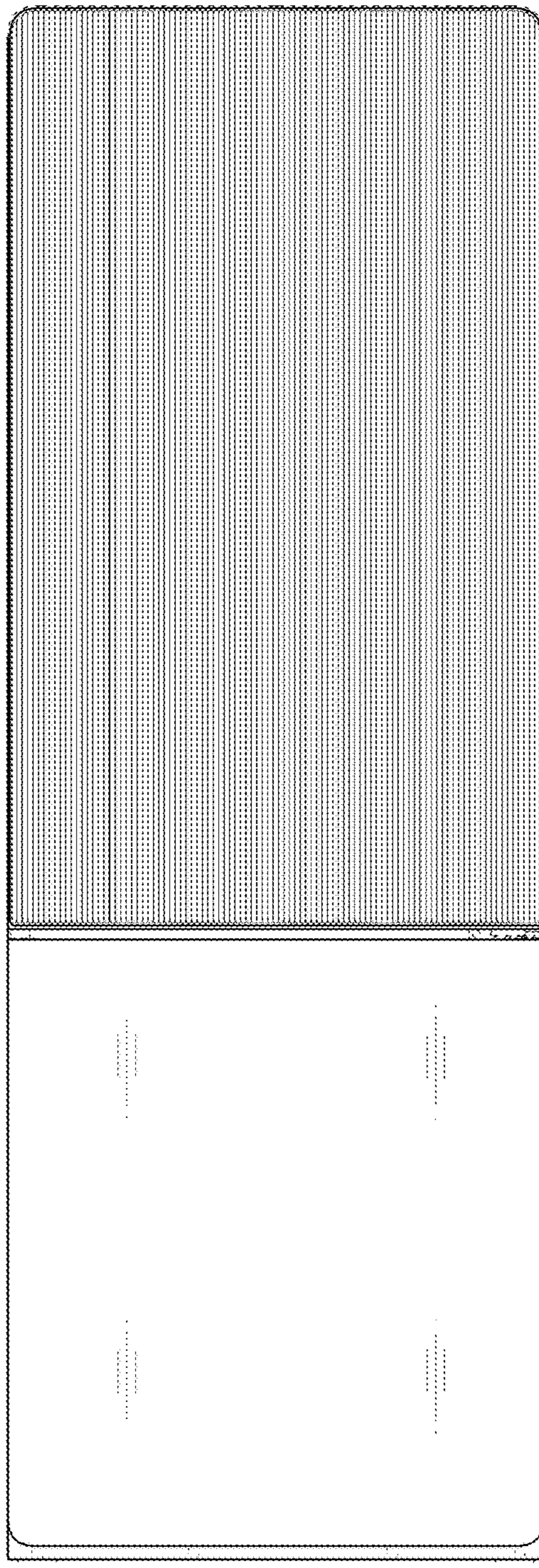


FIG. 3

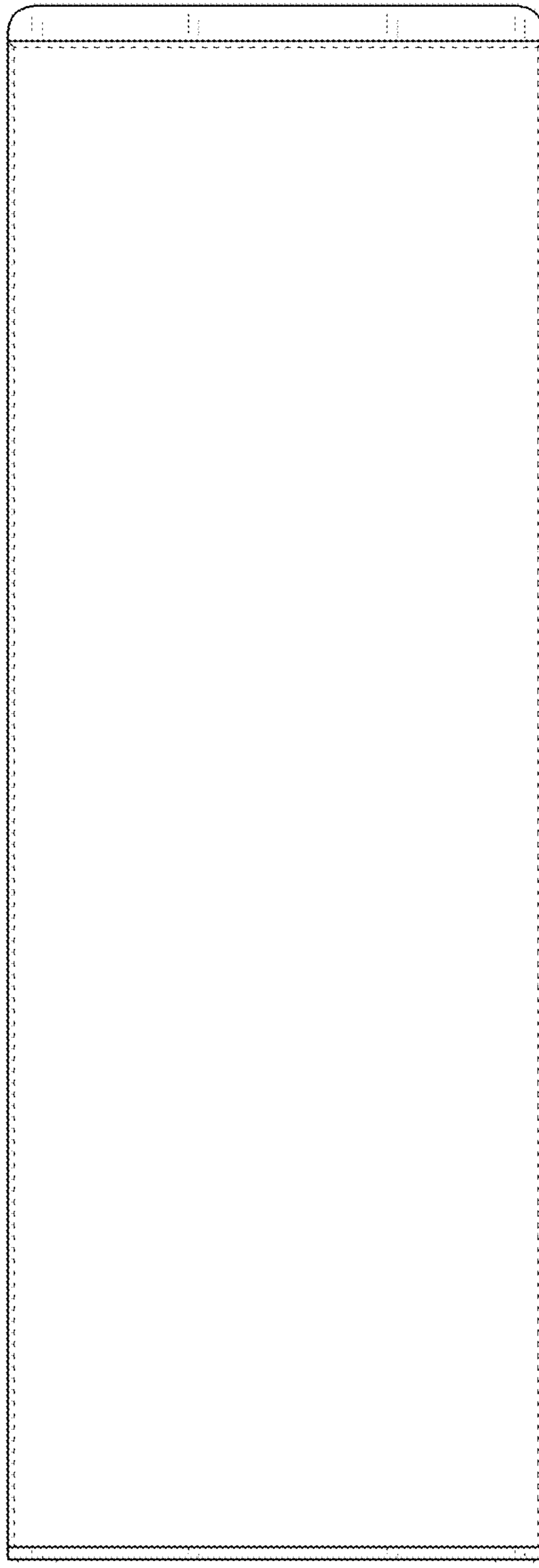


FIG. 4

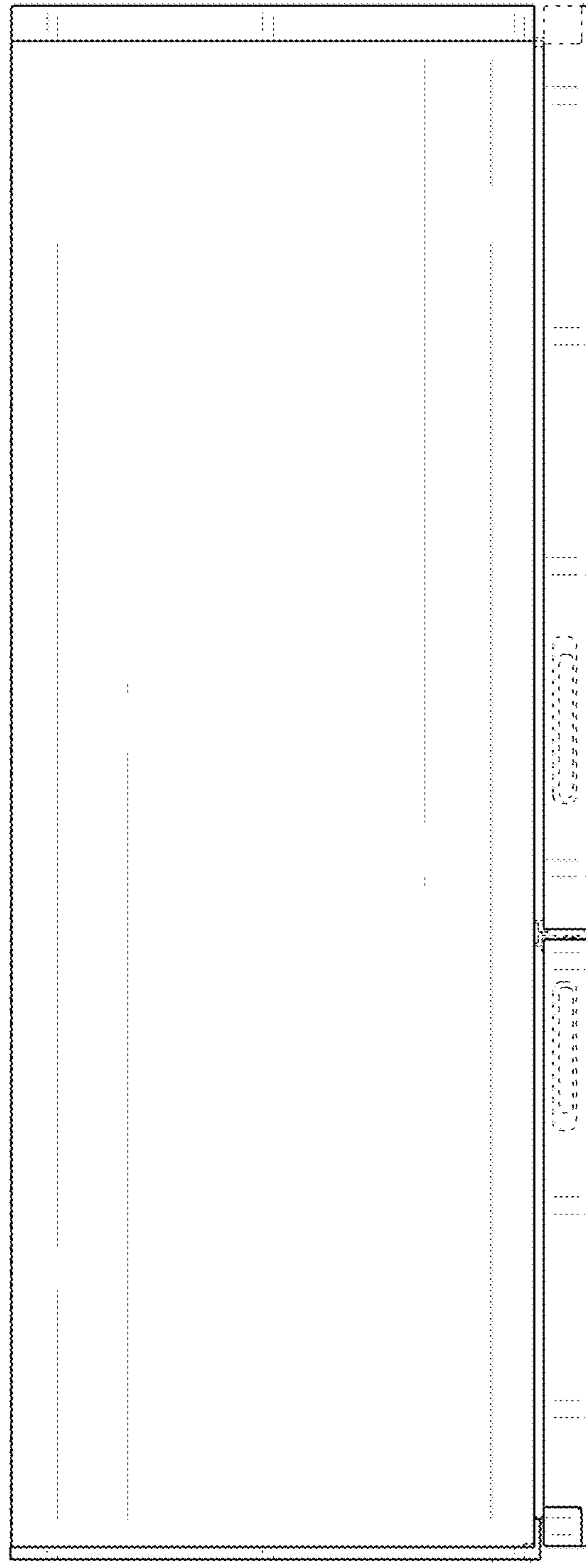


FIG. 5

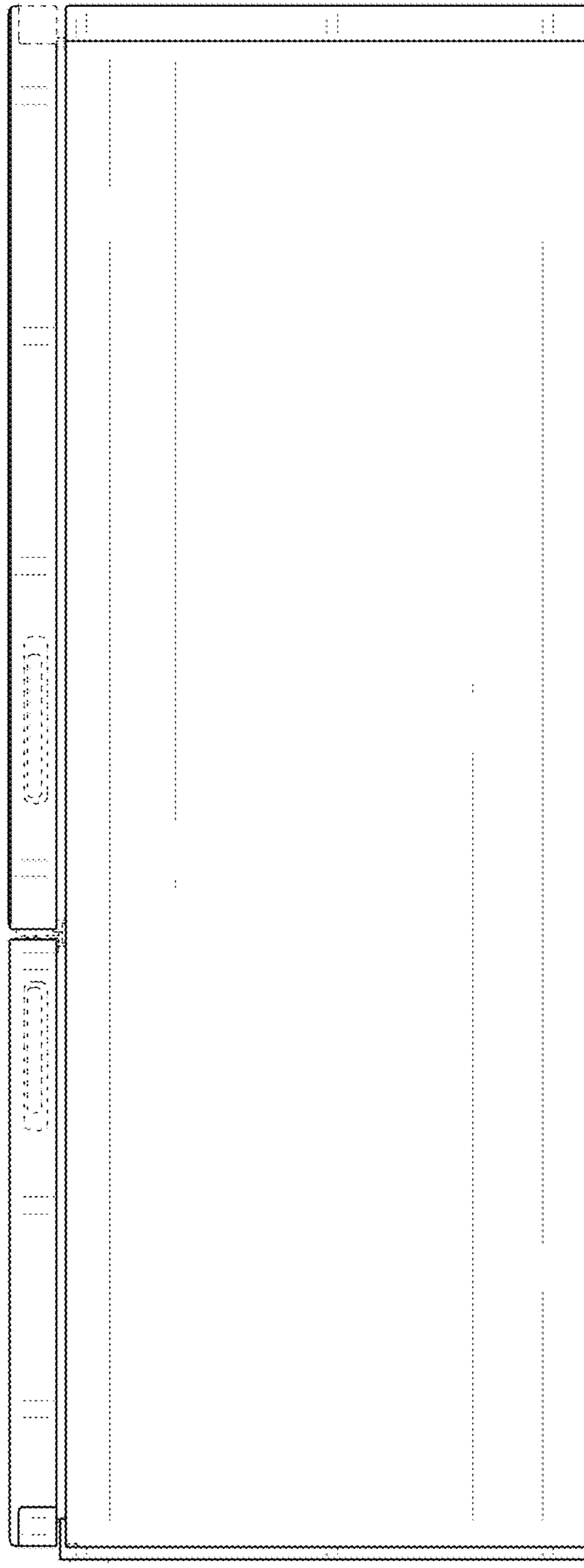


FIG. 6

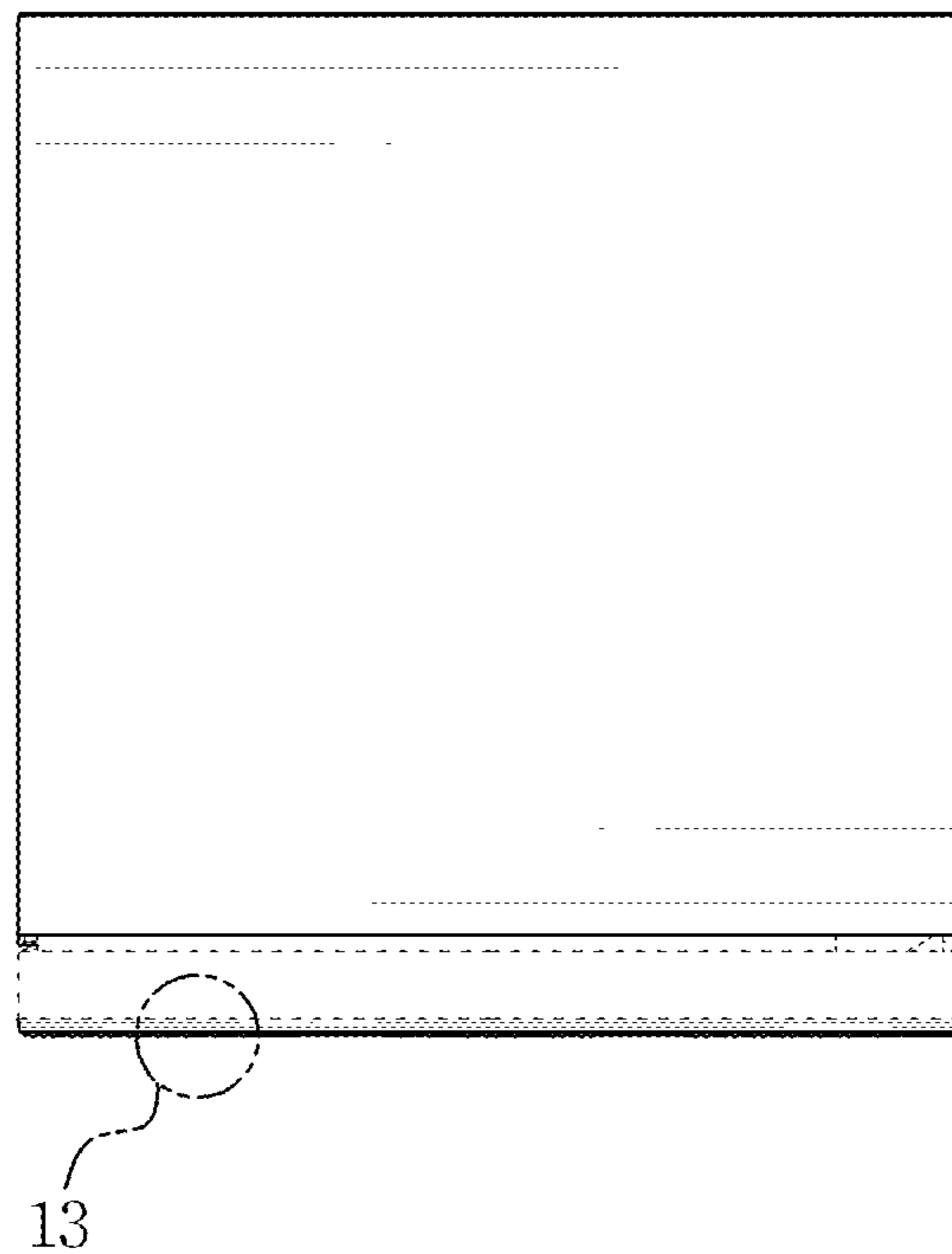


FIG. 7

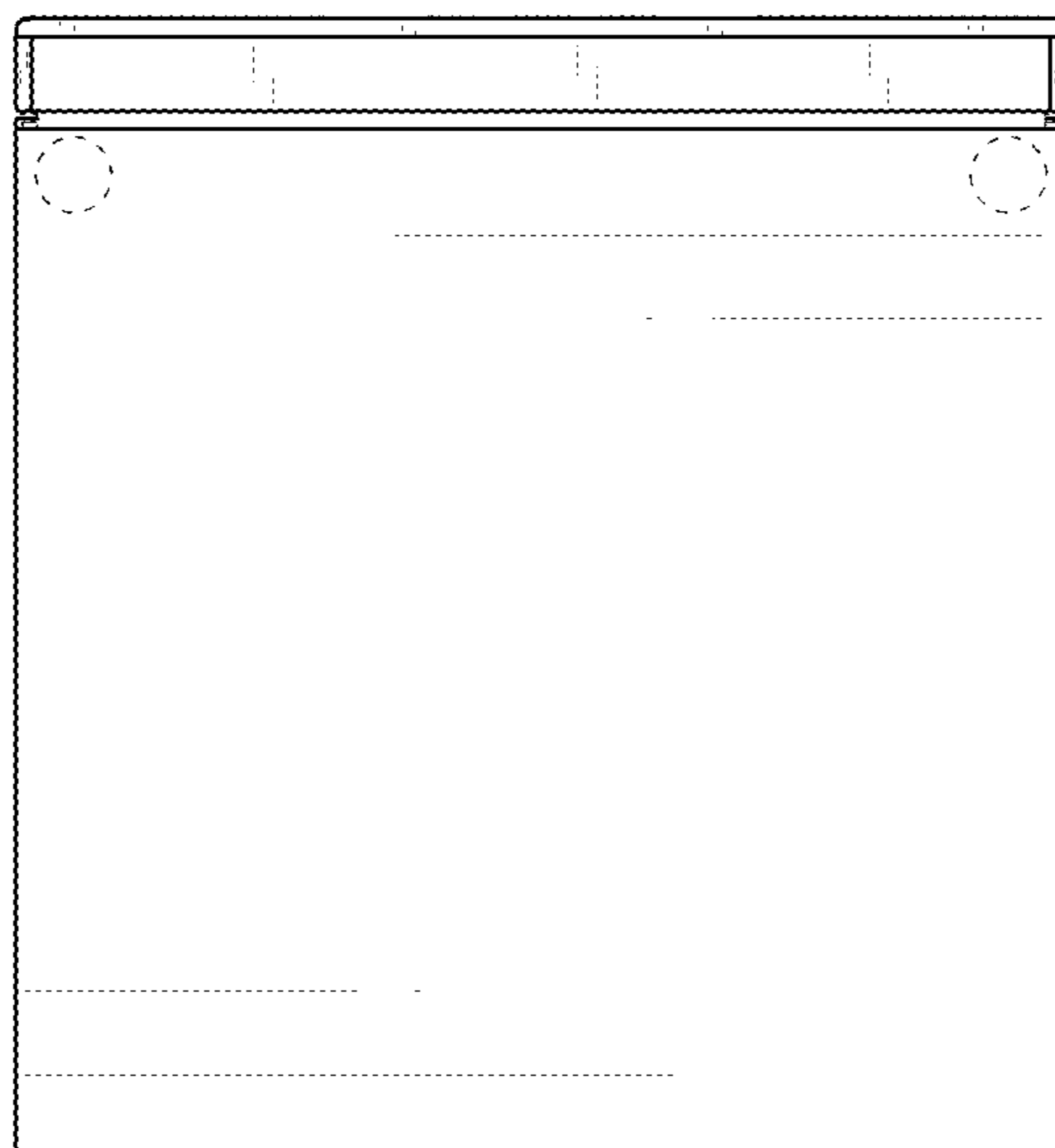


FIG. 8

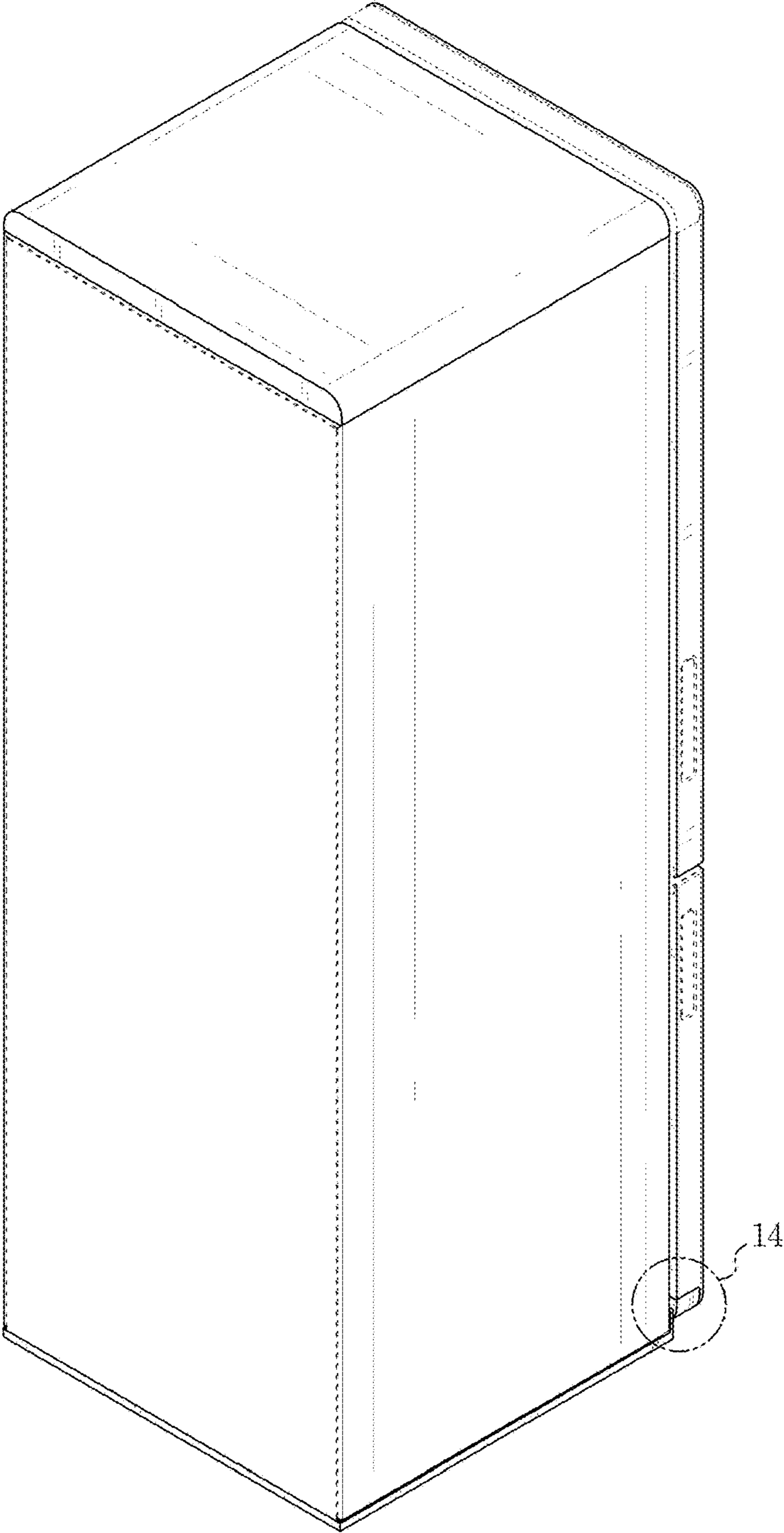


FIG. 9

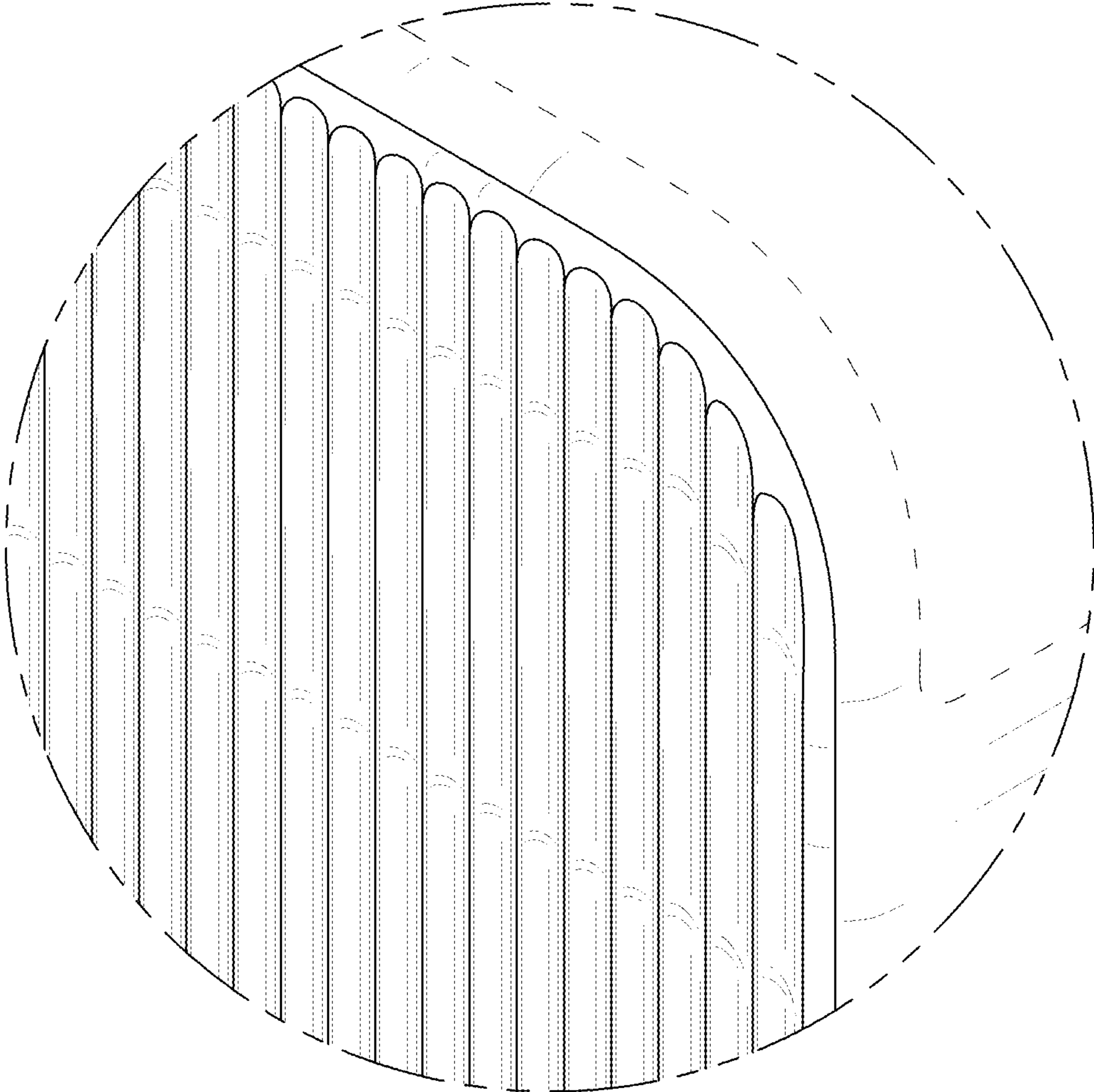


FIG. 10

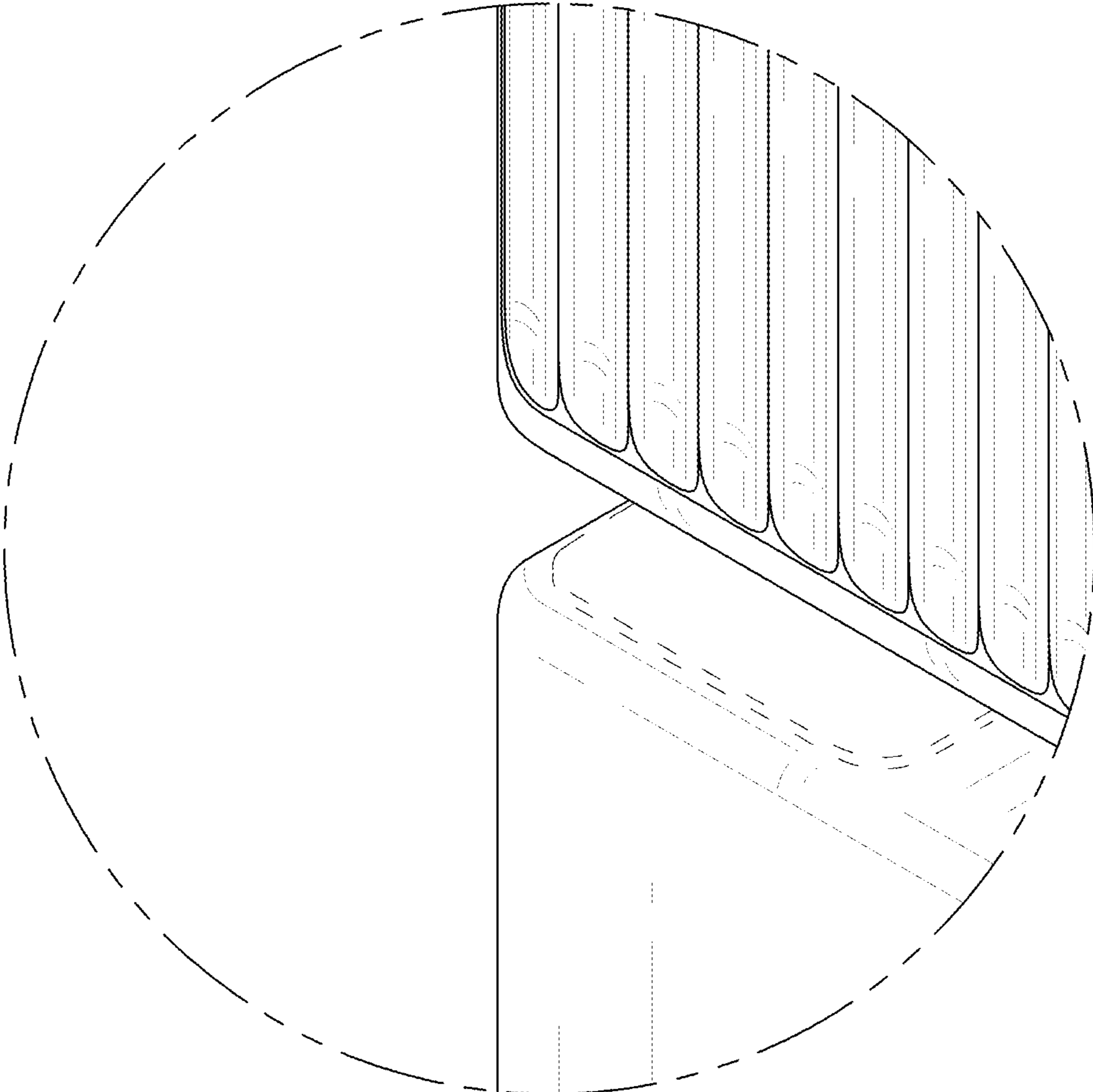


FIG. 11

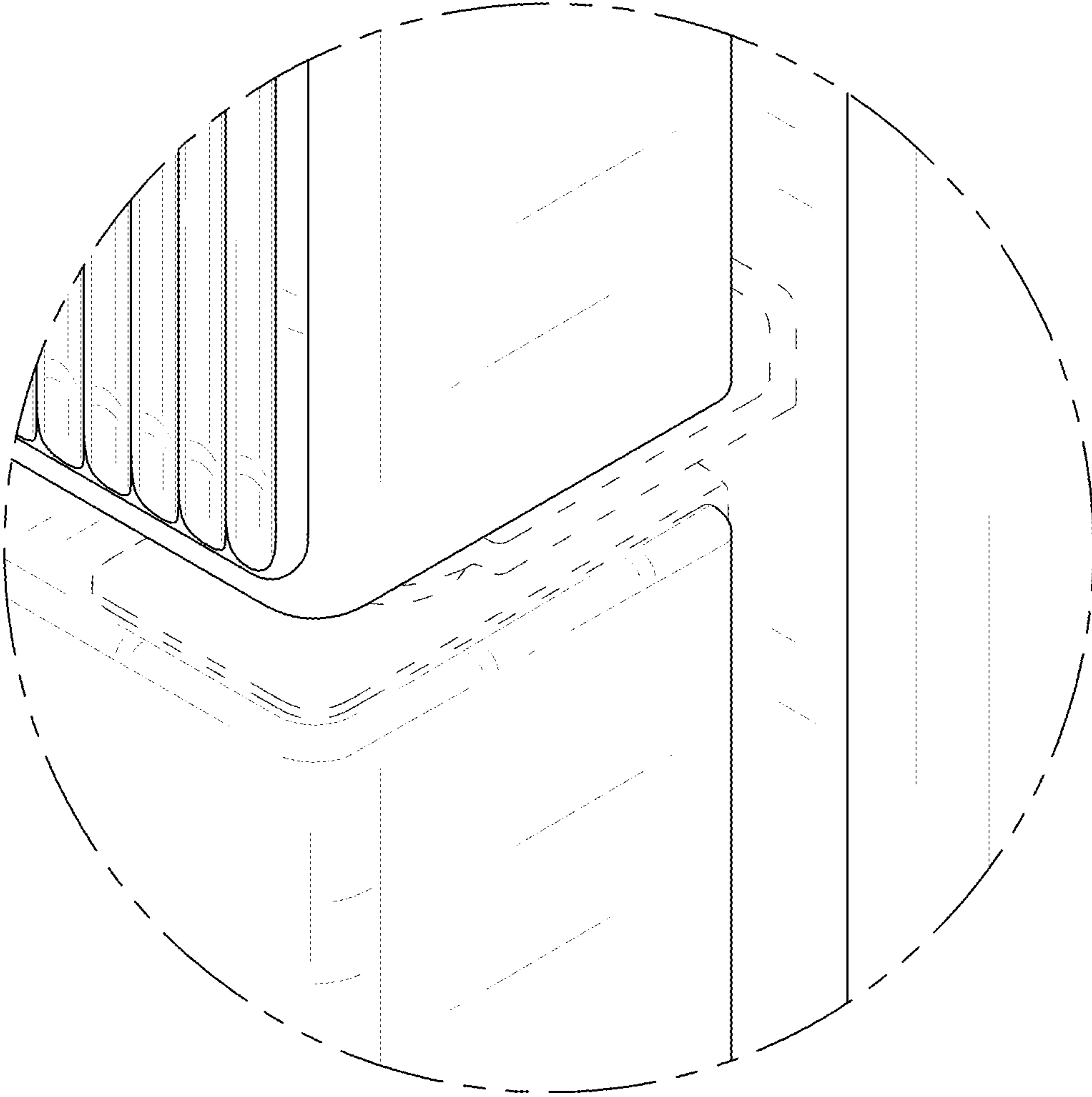


FIG. 12

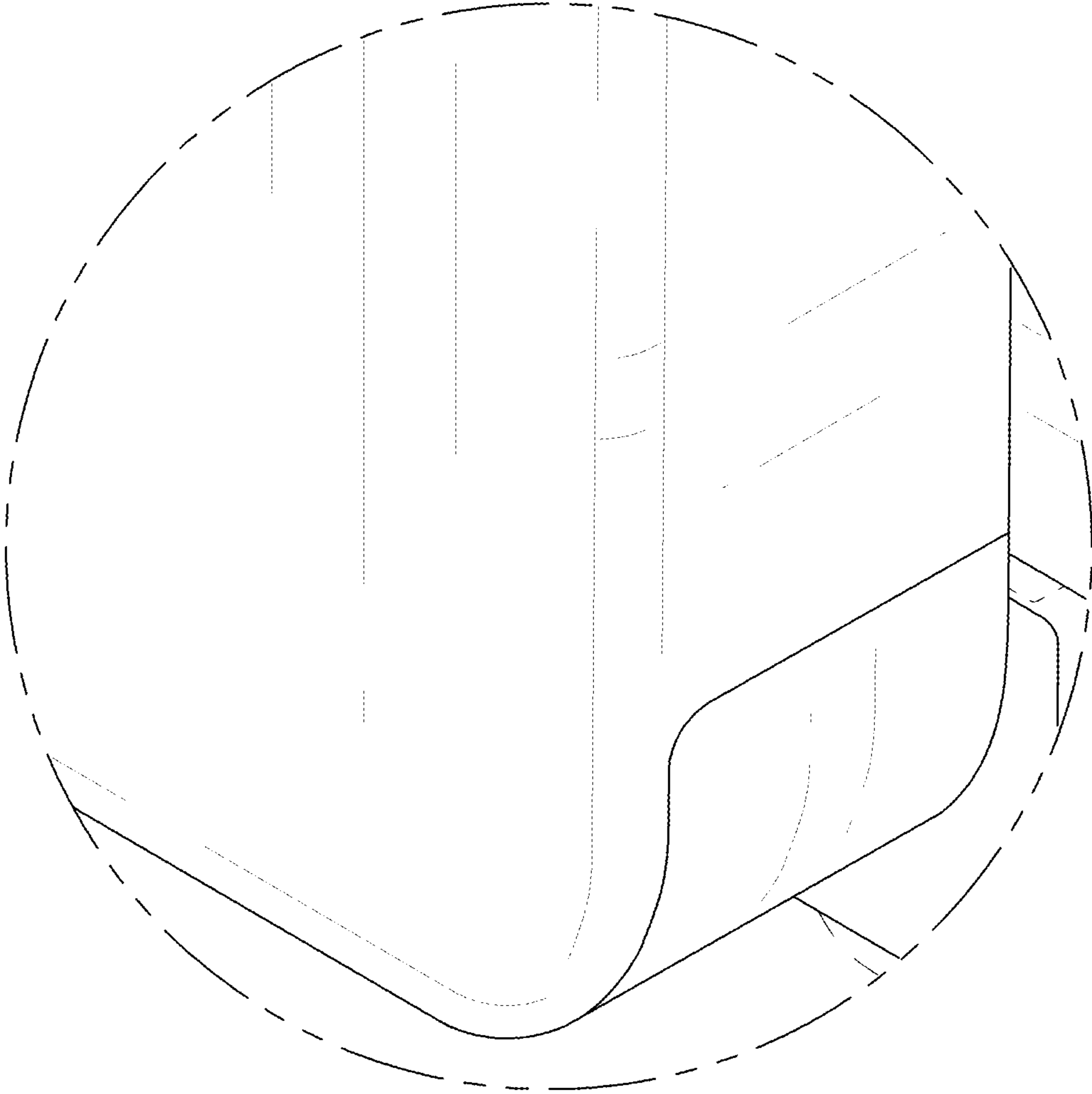


FIG. 13

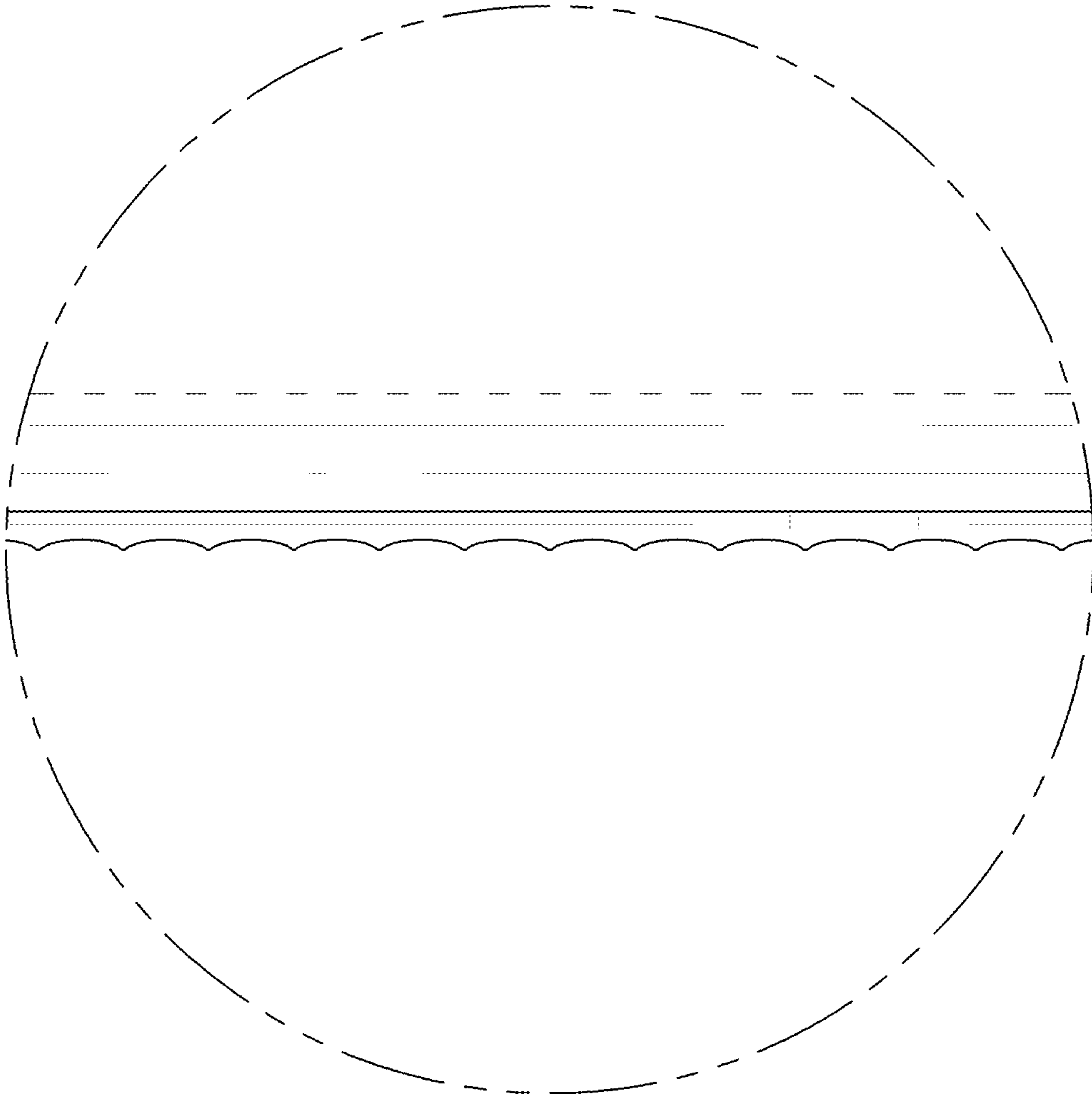


FIG. 14

