



US00D953384S

(12) **United States Design Patent** (10) **Patent No.:** **US D953,384 S**  
**Li** (45) **Date of Patent:** **\*\* May 31, 2022**

(54) **KNITTING MACHINE**  
(71) Applicant: **Honghui Li**, Shenzhen (CN)  
(72) Inventor: **Honghui Li**, Shenzhen (CN)  
(\*\*) Term: **15 Years**  
(21) Appl. No.: **29/807,474**  
(22) Filed: **Sep. 13, 2021**  
(51) **LOC (13) Cl.** ..... **15-06**  
(52) **U.S. Cl.**  
USPC ..... **D15/66**  
(58) **Field of Classification Search**  
USPC ..... D15/66-68, 78  
CPC ..... D04B 13/00-02; D04B 9/00; D04B 5/00;  
D04B 39/00; D03D 29/00; D04G 5/00  
See application file for complete search history.

8,596,096 B1 \* 12/2013 Russell ..... D04B 5/00  
66/4  
D707,732 S \* 6/2014 Crorey ..... D15/66  
D735,778 S \* 8/2015 Nedry ..... D15/78  
D737,341 S \* 8/2015 Shirai ..... D15/66  
9,234,306 B1 \* 1/2016 Chang ..... D04B 3/00  
D751,124 S \* 3/2016 Miller ..... D15/66  
(Continued)

**OTHER PUBLICATIONS**

Knitting machine google search; google.com; Apr. 14, 2022.\*  
(Continued)

*Primary Examiner* — Mitchell I. Siegel

(57) **CLAIM**

The ornamental design for a knitting machine, as shown and described.

**DESCRIPTION**

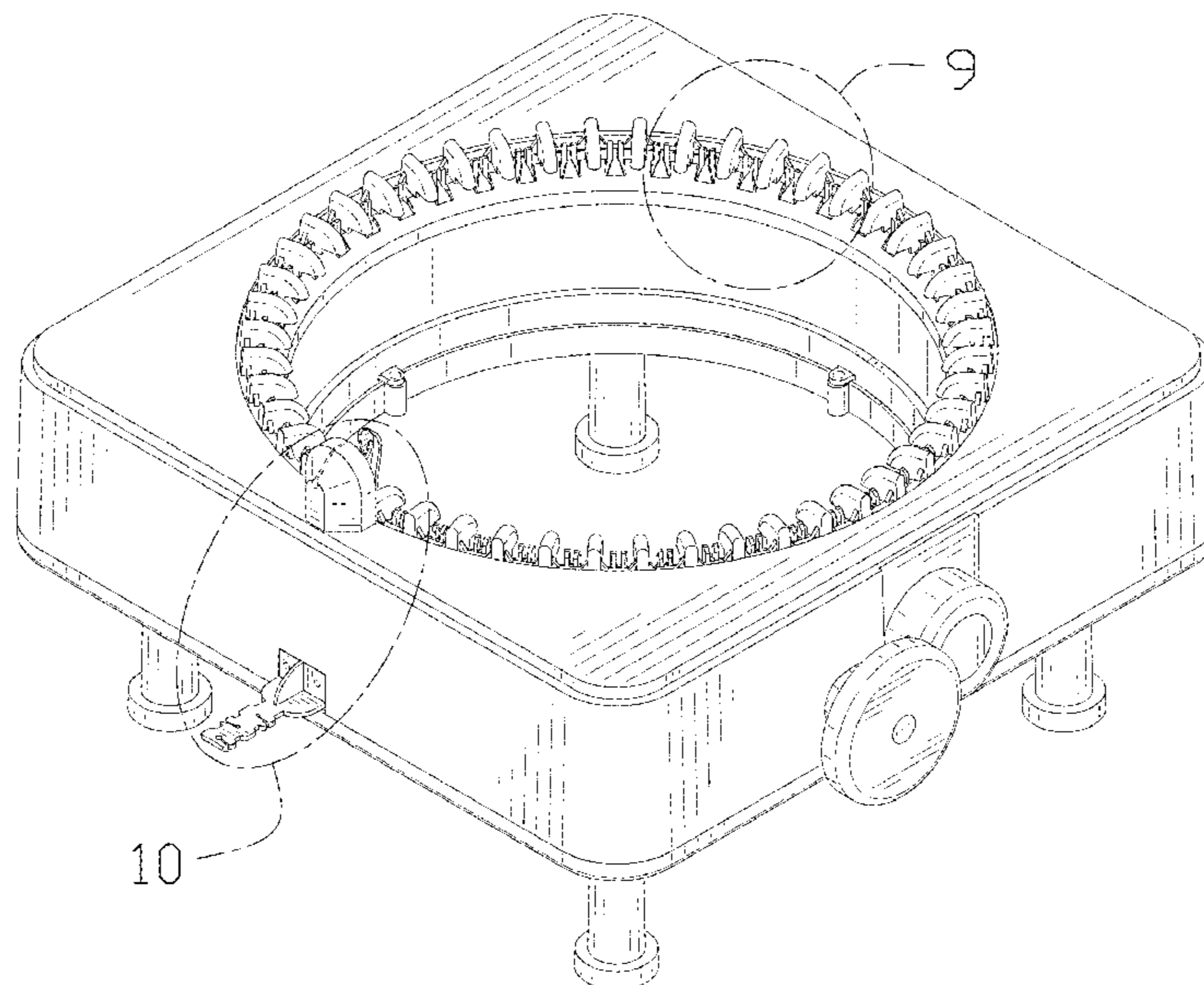
FIG. 1 is a perspective view of a knitting machine showing my new design;  
FIG. 2 is another perspective view thereof;  
FIG. 3 is a front elevational view thereof;  
FIG. 4 is a rear elevational view thereof;  
FIG. 5 is a left side elevational view thereof;  
FIG. 6 is a right side elevational view thereof;  
FIG. 7 is a top plan view thereof;  
FIG. 8 is a bottom plan view thereof;  
FIG. 9 is an enlarged view of portion 9 shown in FIG. 1;  
FIG. 10 is an enlarged view of portion 10 shown in FIG. 1;  
and,  
FIG. 11 is an enlarged view of portion 11 shown in FIG. 2.  
The dash-dash broken lines in the drawings depict portions of the knitting machine that form no part of the claimed design. The dot-dash broken lines represent boundaries of the enlarged portions and form no part of the claimed design.

(56) **References Cited**

**U.S. PATENT DOCUMENTS**

1,249,706 A \* 12/1917 Zimmerman et al. ... B25H 3/02  
211/129.1  
1,318,604 A \* 10/1919 Schneider ..... D04B 39/00  
66/4  
2,658,364 A \* 11/1953 Carlson ..... D04B 3/00  
66/4  
D182,269 S \* 3/1958 Brown et al. .... D3/25  
3,650,010 A \* 3/1972 Powell, Jr. .... D04D 9/00  
29/241  
D246,244 S \* 11/1977 Current ..... D15/66  
D247,900 S \* 5/1978 Current ..... D15/66  
4,827,638 A \* 5/1989 Peters ..... D05C 1/04  
D3/25  
D307,819 S \* 5/1990 Peters ..... D3/25  
D309,056 S \* 7/1990 Peters ..... D3/25  
6,276,986 B1 \* 8/2001 Wu ..... A63H 33/3088  
446/474  
6,360,566 B1 \* 3/2002 Koike ..... D04B 9/00  
66/8  
D611,964 S 3/2010 Lonati

**1 Claim, 11 Drawing Sheets**



(56)

**References Cited**

U.S. PATENT DOCUMENTS

D771,153 S \* 11/2016 Lonati ..... D15/66  
D850,496 S 6/2019 Papenfuss  
D855,666 S \* 8/2019 Levin ..... D15/66  
10,883,208 B2 \* 1/2021 Novak ..... D04B 3/02  
D923,063 S \* 6/2021 Zhang ..... D15/66  
D946,059 S \* 3/2022 Zhang ..... D15/66  
D946,060 S \* 3/2022 Zhang ..... D15/66  
D946,634 S \* 3/2022 Zhang ..... D15/66  
2007/0270010 A1 \* 11/2007 Walter ..... D03D 29/00  
439/259  
2013/0285375 A1 \* 10/2013 Crorey ..... D04G 5/00  
289/2  
2015/0329999 A1 \* 11/2015 Yu ..... D04B 9/12  
66/92  
2016/0032500 A1 \* 2/2016 Novak ..... D04B 5/00  
28/152

OTHER PUBLICATIONS

Knitting maching amazon search (p. 1 results); amazon.com; Apr.  
14, 2022.\*  
Knitting maching amazon search (p. 2 results); amazon.com; Apr.  
14, 2022.\*  
Knitting maching amazon search (p. 3 results); amazon.com; Apr.  
14, 2022.\*

\* cited by examiner

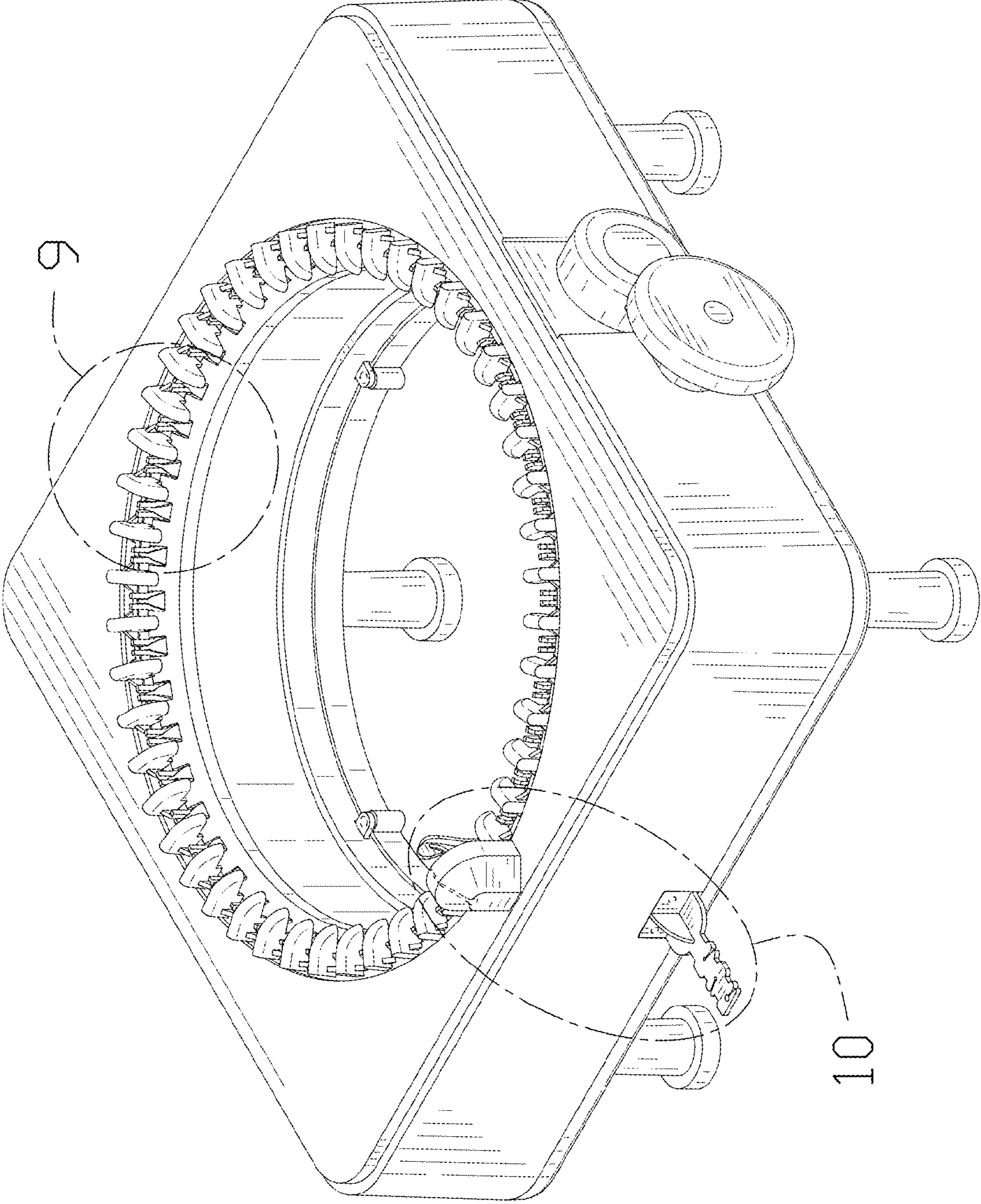


FIG. 1

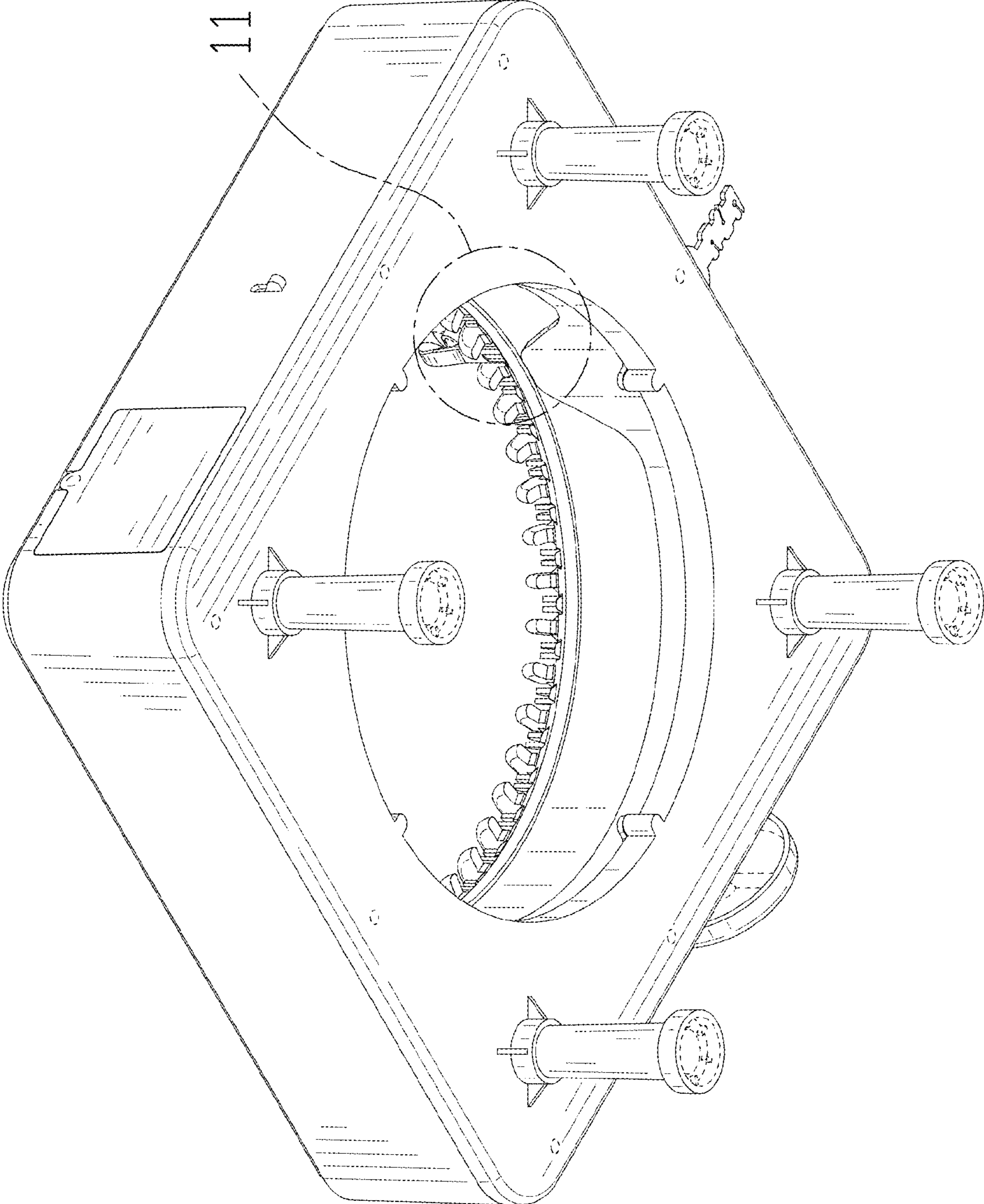


FIG. 2

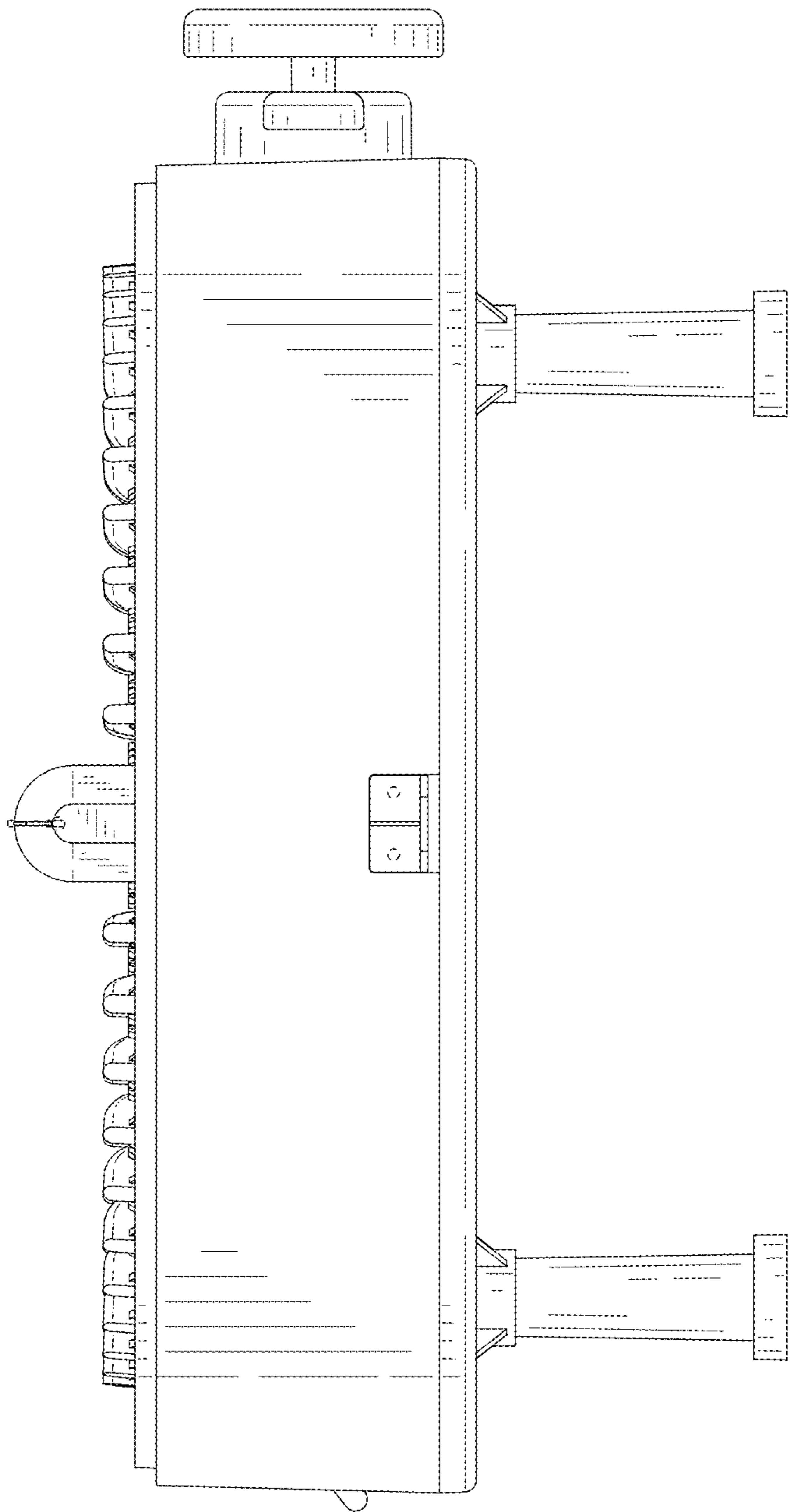


FIG. 3

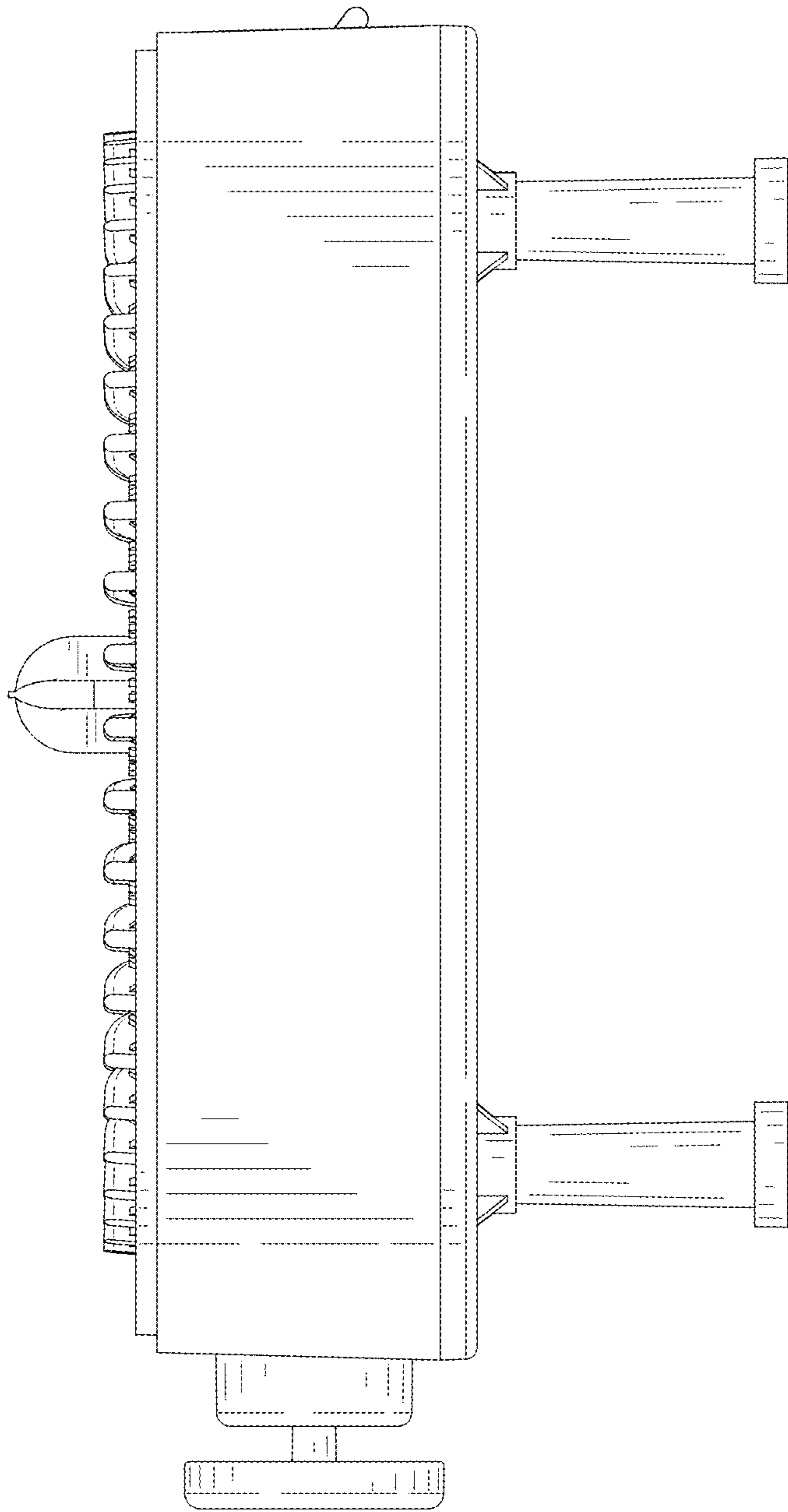


FIG. 4

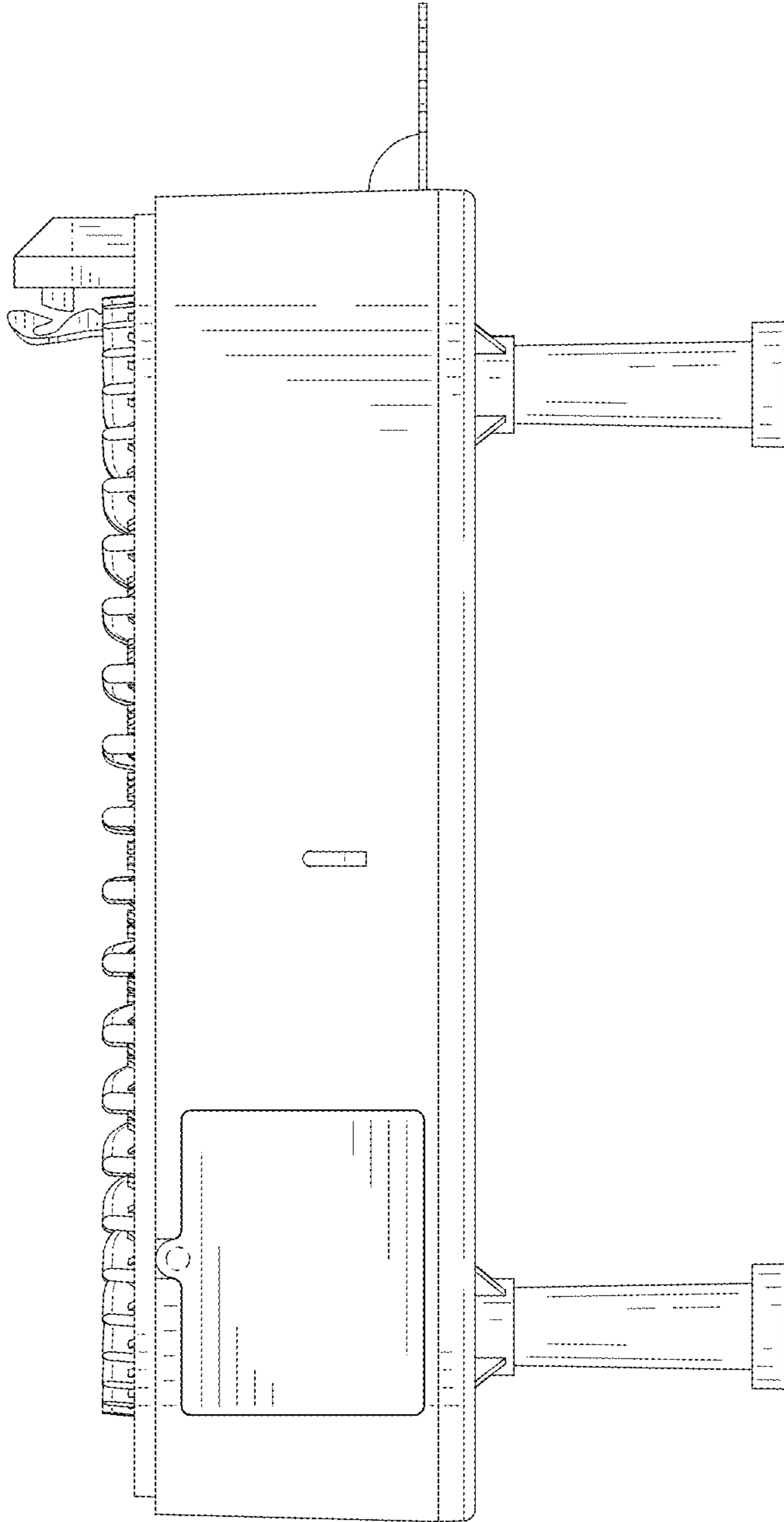


FIG. 5

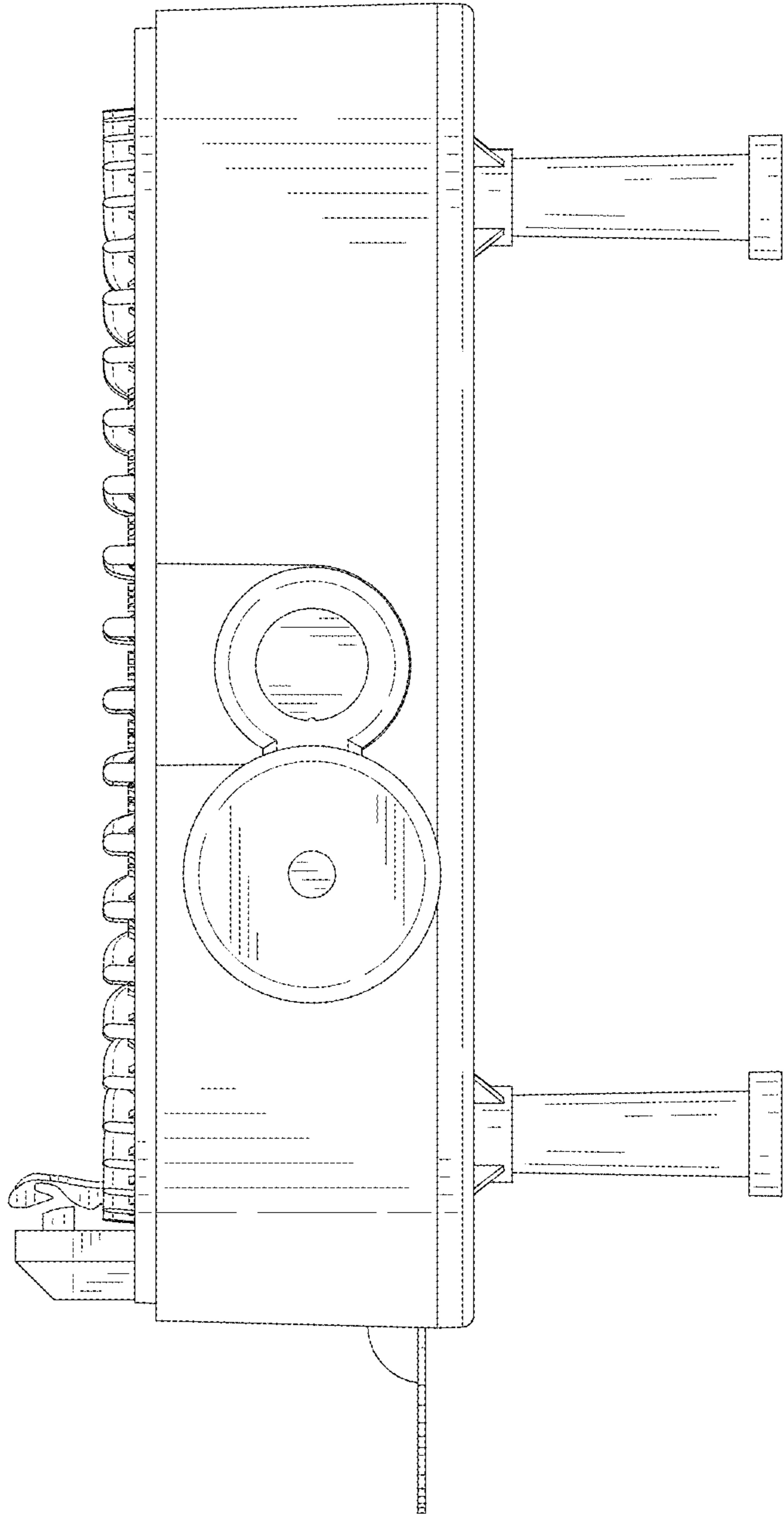


FIG. 6



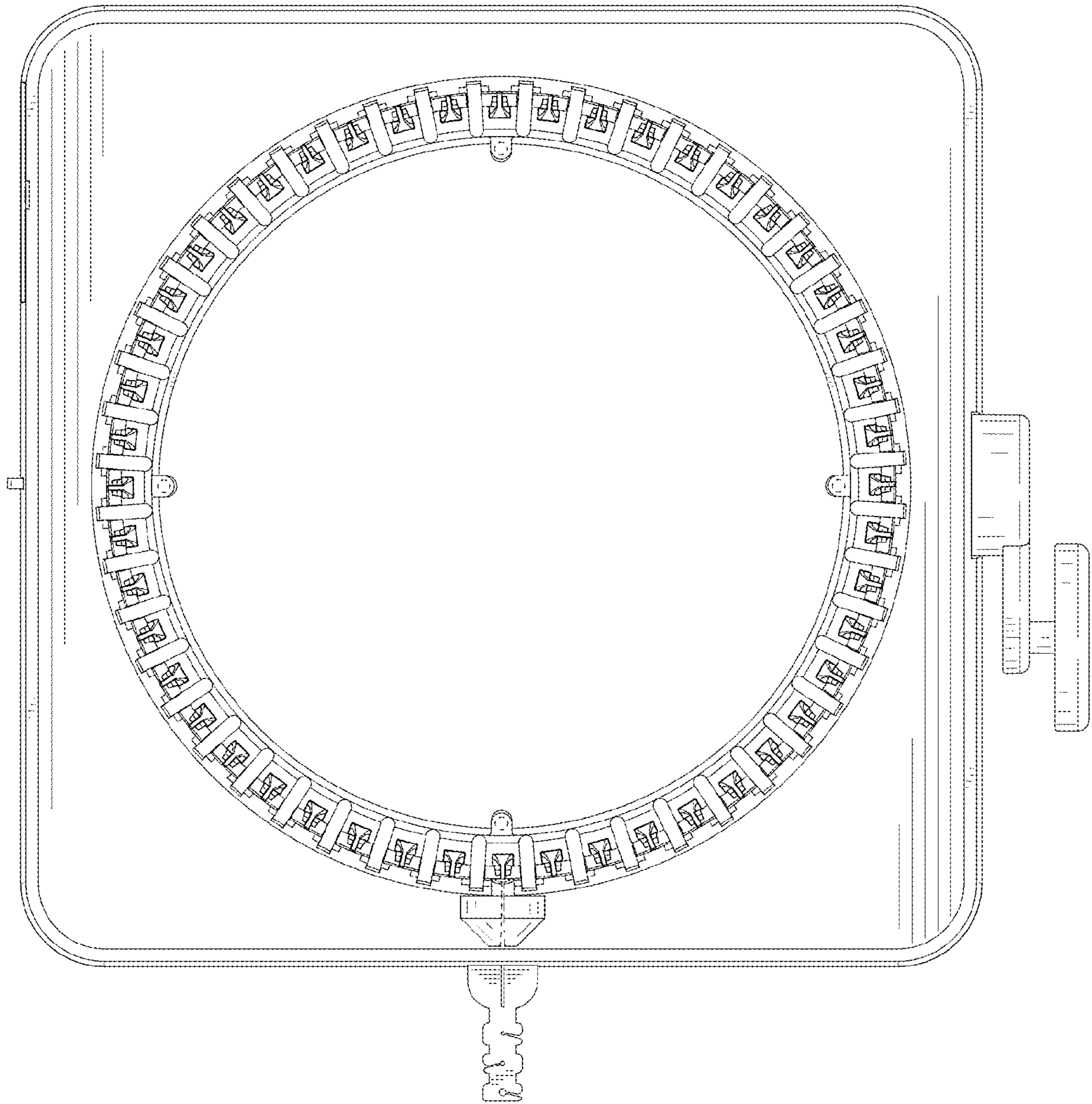


FIG. 7

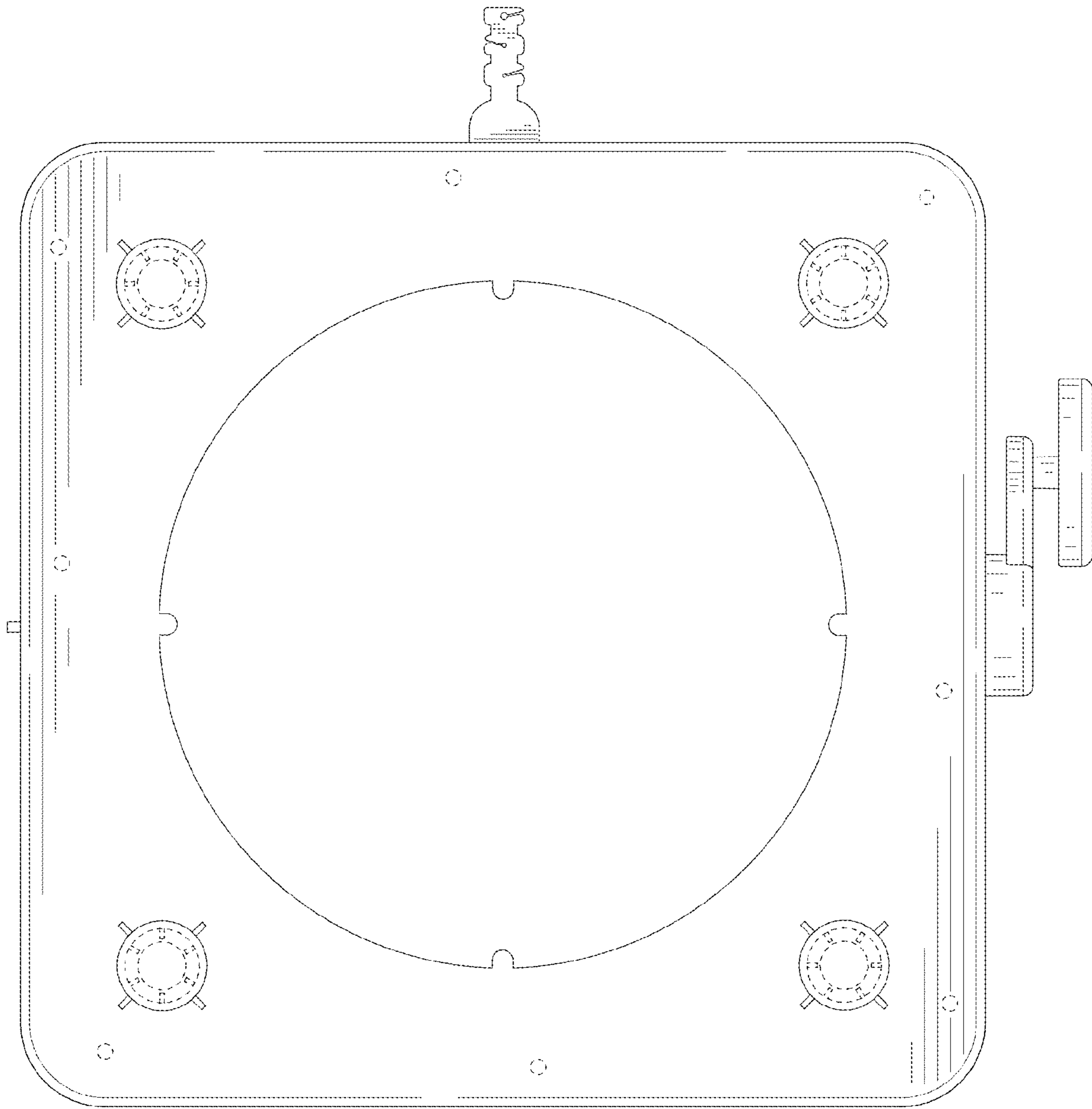


FIG. 8

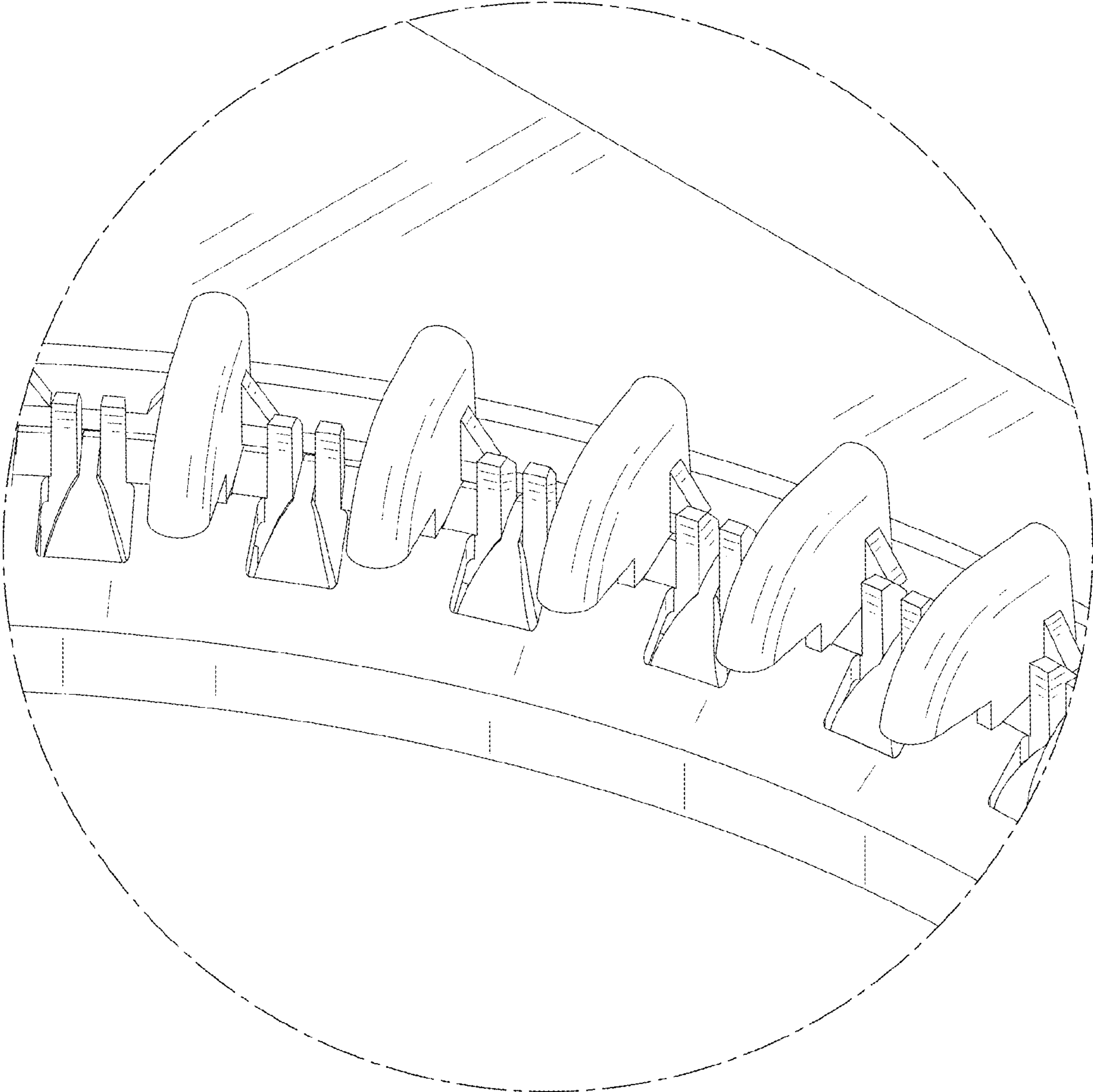


FIG. 9

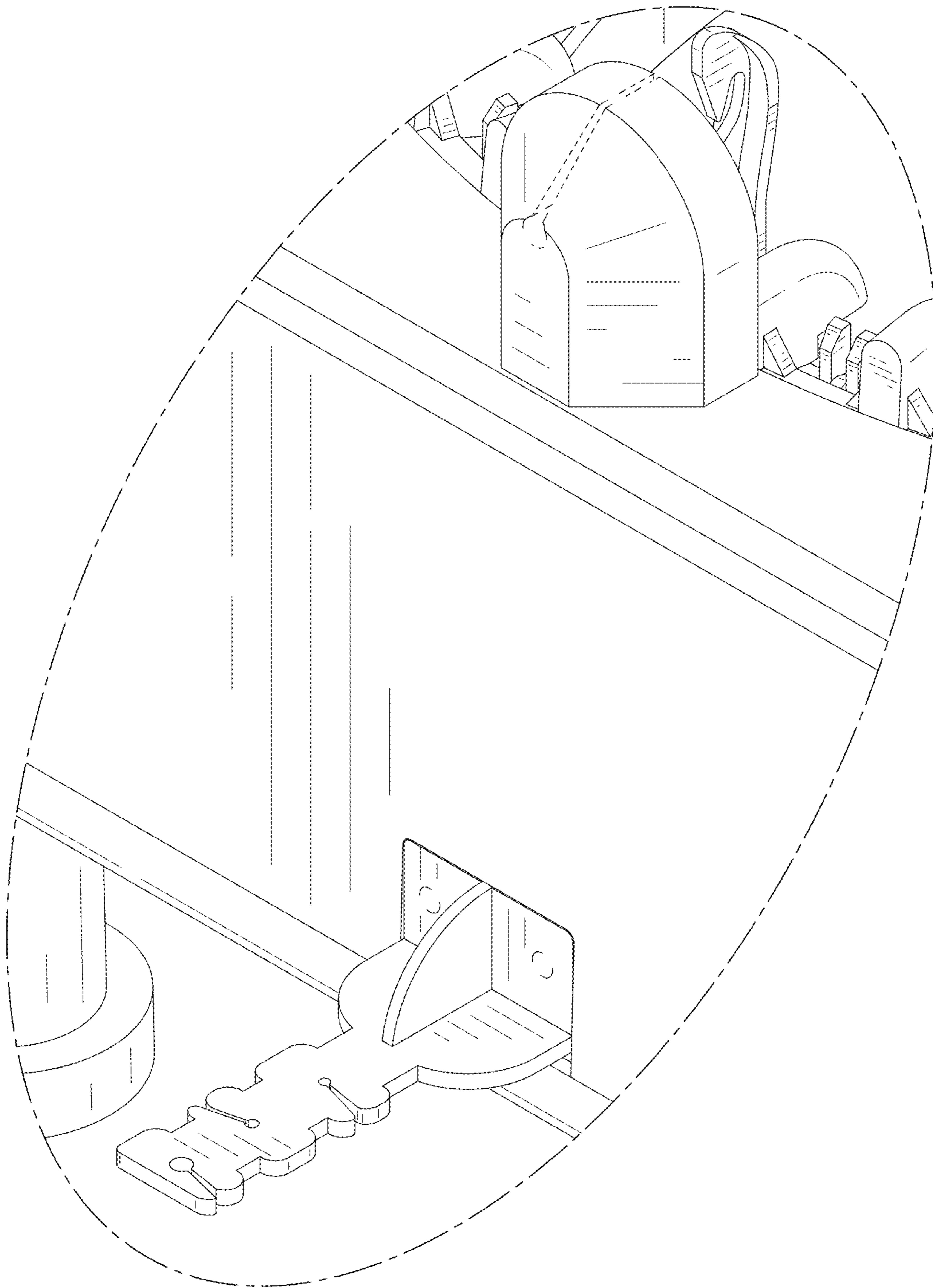


FIG. 10

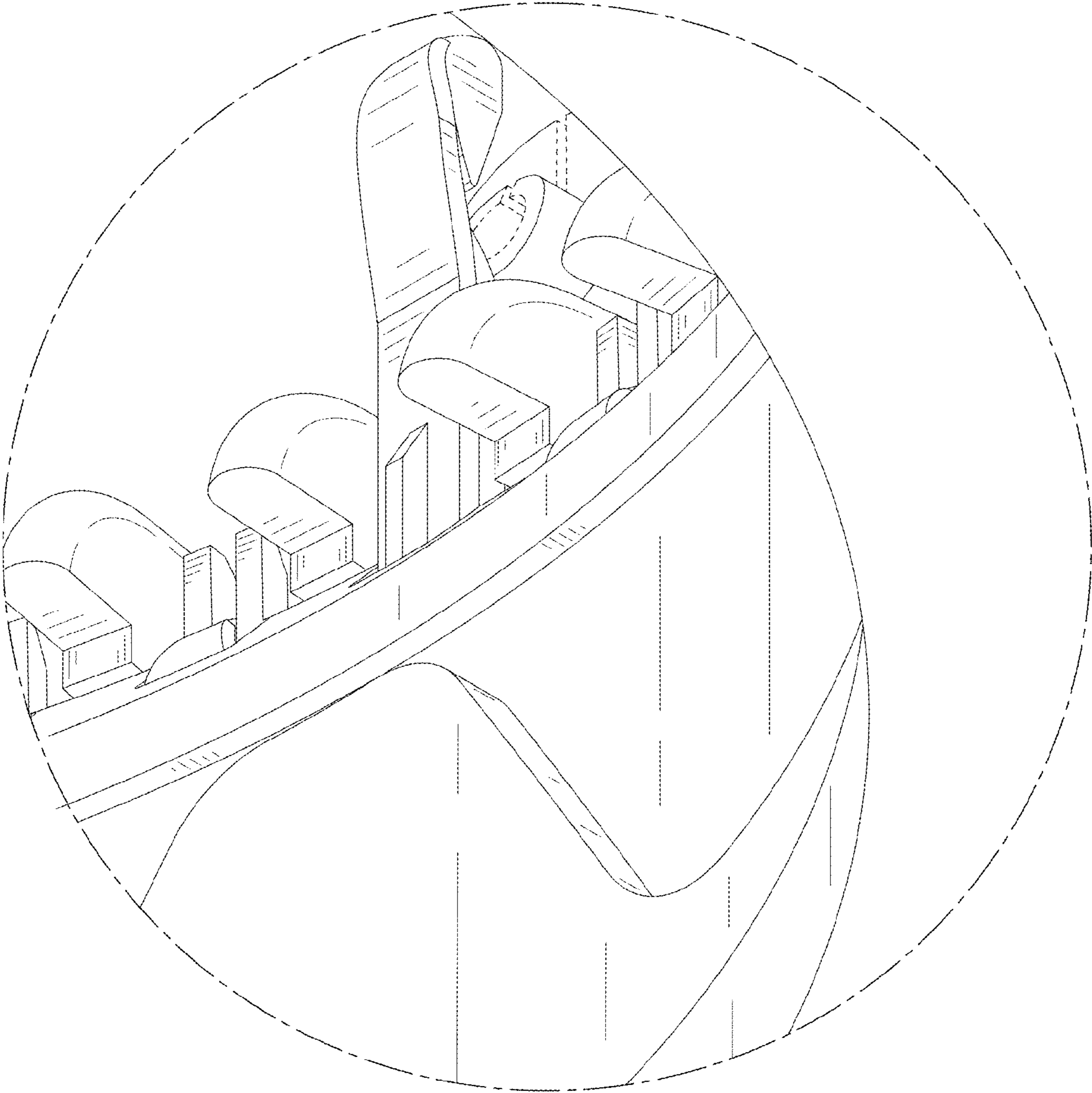


FIG. 11