



US00D953383S

(12) **United States Design Patent** (10) **Patent No.:** **US D953,383 S**
Chen (45) **Date of Patent:** **** May 31, 2022**

(54) **EMBROIDERY MACHINE**

FOREIGN PATENT DOCUMENTS

(71) Applicant: **ZHEJIANG HEHE ELECTRIC MACHINERY CO., LTD.**, Shaoxing (CN)

CN 303628518 * 3/2016
CN 304275222 * 9/2017

(Continued)

(72) Inventor: **ZhenGan Chen**, Shaoxing (CN)

OTHER PUBLICATIONS

(**) Term: **15 Years**

Avance 1201C [online] URL: https://vimeo.com/524298568?trk=organization-update-content_share-embed-video_share-article_title (visited Jul. 21, 2021) (Year: 2021).*

(Continued)

(21) Appl. No.: **29/759,204**

(22) Filed: **Nov. 20, 2020**

(51) **LOC (13) Cl.** **15-06**

(52) **U.S. Cl.**

USPC **D15/66; D15/72; D15/78**

(58) **Field of Classification Search**

USPC **D15/66-78; D18/34.2**

CPC . **D05C 3/00; D05C 5/00; D05C 5/006; D05C**

5/02; D05C 5/04; D05C 7/00; D05C

9/04; D05B 19/006; D05B 19/08; D05B

19/10

See application file for complete search history.

Primary Examiner — Jae Liang

Assistant Examiner — Tia Ruth-Renee Polidori

(57) **CLAIM**

The ornamental design for an embroidery machine, as shown and described.

DESCRIPTION

FIG. 1 is a perspective view of an embroidery machine showing my new design;

FIG. 2 is a front view thereof;

FIG. 3 is a rear view thereof;

FIG. 4 is a left side view thereof;

FIG. 5 is a right side view thereof;

FIG. 6 is a top plan view thereof;

FIG. 7 is a bottom plan view thereof;

FIG. 8 is another perspective view thereof;

FIG. 9 is an enlarged view of portion of FIG. 8;

FIG. 10 is an enlarged view of portion of FIG. 8; and,

FIG. 11 is an enlarged view of portion of FIG. 8.

The broken lines which define the boundaries of enlarged portions of the embroidery machine form no part of the claimed design.

The portions of the embroidery machine shown in broken lines, also, form no part of the claimed design.

(56) **References Cited**

U.S. PATENT DOCUMENTS

6,325,006 B1 * 12/2001 Park D05B 87/02
112/241

D474,785 S * 5/2003 Carter D15/66

D491,201 S * 6/2004 Suwa D15/78

D492,702 S * 7/2004 Suwa D15/66

D492,948 S * 7/2004 Suwa D15/78

D503,412 S * 3/2005 Suwa D15/78

D570,882 S * 6/2008 Lee D15/66

D648,358 S * 11/2011 Nonobe D15/72

D648,759 S * 11/2011 Fujihara D15/72

D655,726 S * 3/2012 Matsumoto D15/78

D655,727 S * 3/2012 Matsumoto D15/78

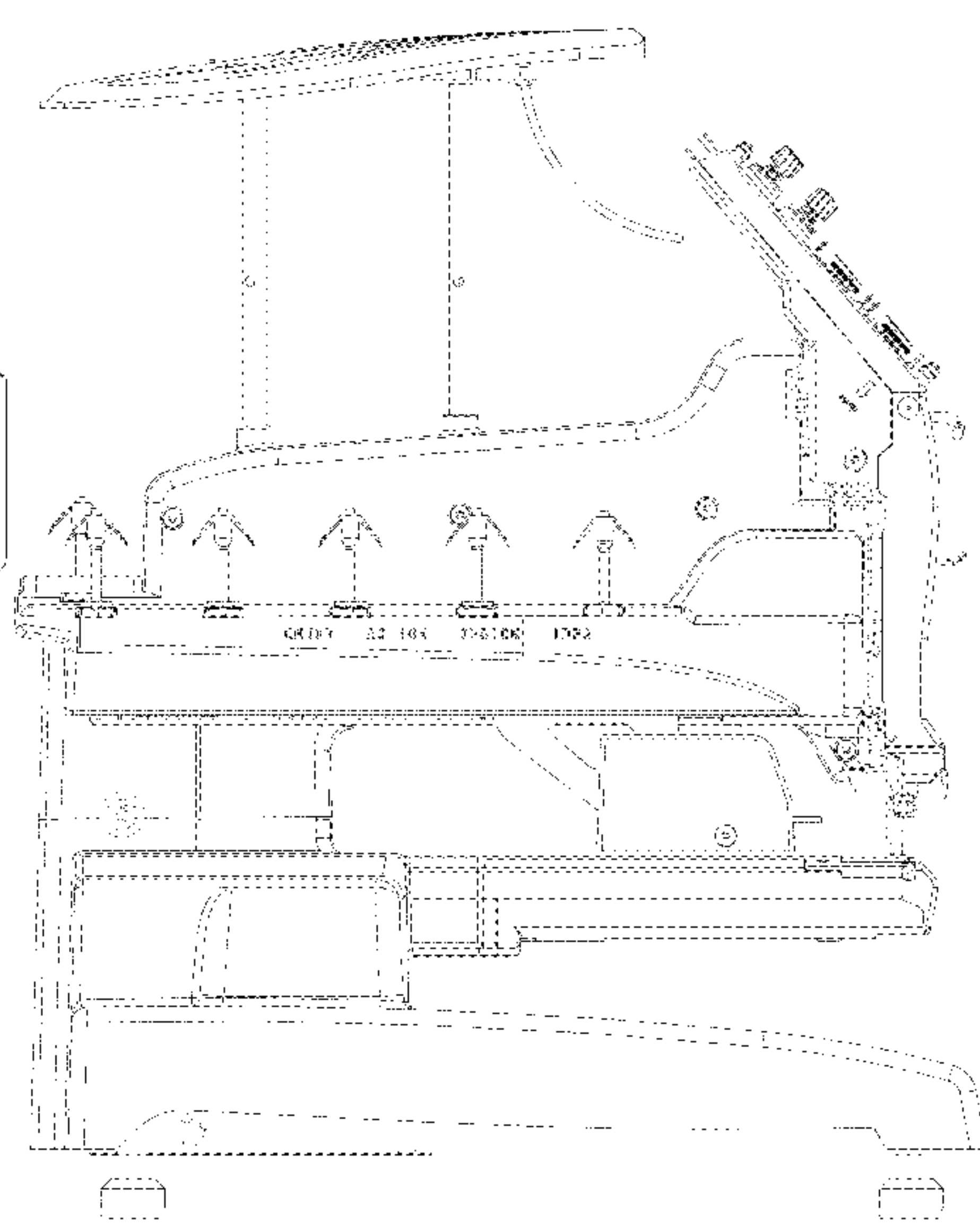
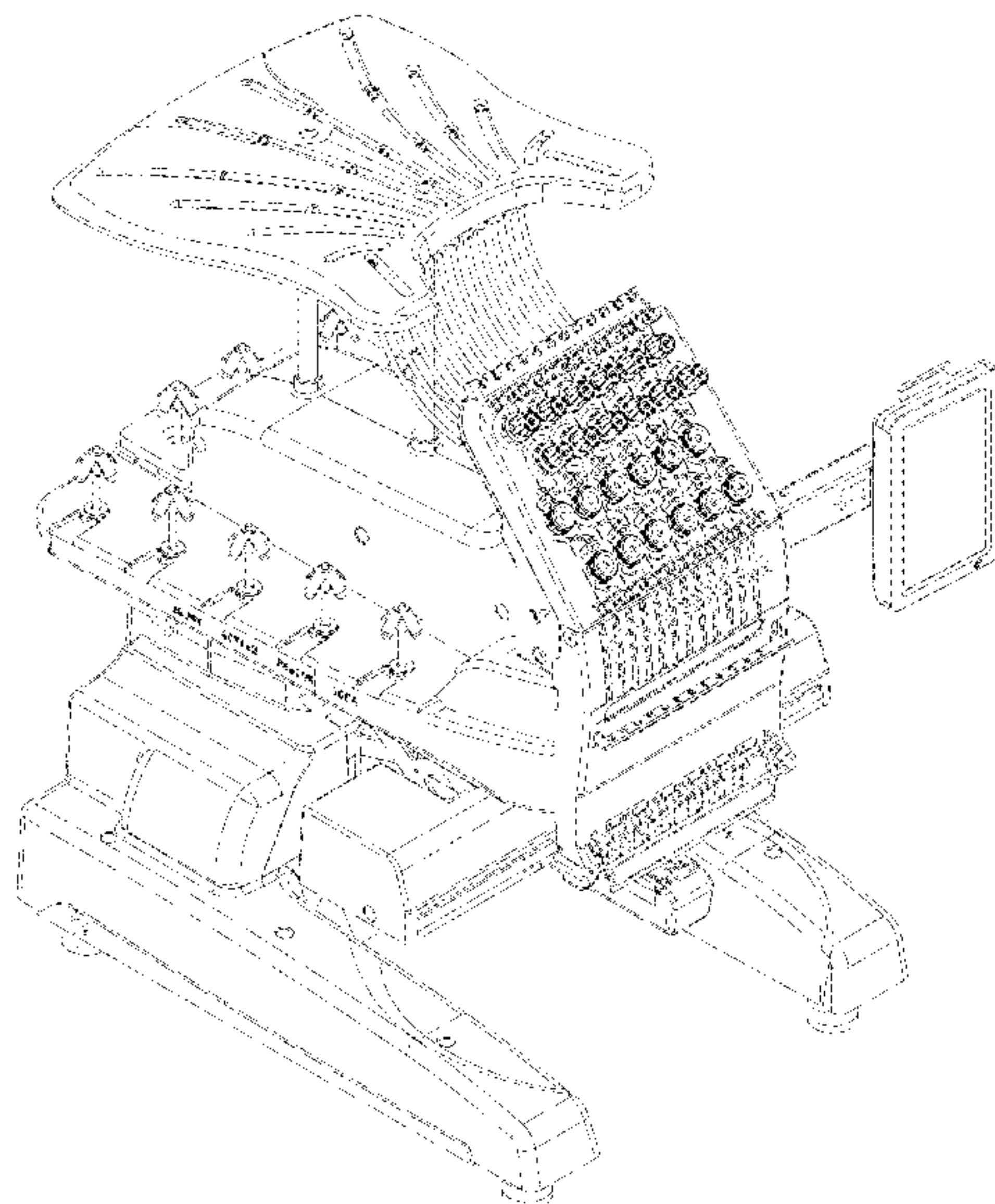
8,170,708 B2 * 5/2012 Goldman D05B 19/12
700/138

D700,634 S * 3/2014 Saitou D15/69

D846,005 S * 4/2019 Kita D15/72

(Continued)

1 Claim, 11 Drawing Sheets



(56)

References Cited

U.S. PATENT DOCUMENTS

D846,006 S * 4/2019 Kita D15/72
 D846,007 S * 4/2019 Kita D15/78
 2010/0242820 A1* 9/2010 Fujihara D05B 79/00
 112/270
 2012/0048162 A1* 3/2012 Tokura D05B 19/12
 112/102.5
 2014/0283720 A1* 9/2014 Kawaguchi D05B 39/00
 112/102.5
 2015/0000574 A1* 1/2015 Kawaguchi D05C 9/04
 112/103
 2015/0000575 A1* 1/2015 Kawaguchi D05C 9/04
 112/103
 2015/0122165 A1* 5/2015 Maki D05B 37/063
 112/470.05
 2015/0240399 A1* 8/2015 Ihira D05C 7/00
 112/102.5
 2018/0016720 A1* 1/2018 Okuyama D05B 55/16
 2018/0016721 A1* 1/2018 Matsushima D05B 49/00
 2018/0320300 A1* 11/2018 Kawaguchi D05C 9/04
 2018/0320301 A1* 11/2018 Kawaguchi D05C 9/04
 2018/0327951 A1* 11/2018 Yokoyama D05C 5/04
 2019/0242045 A1* 8/2019 Imaizumi G06T 3/4038
 2019/0338450 A1* 11/2019 Kawaguchi D05B 39/00
 2021/0054551 A1* 2/2021 Osamura D05C 9/04
 2021/0100321 A1* 4/2021 Ho A43B 3/0078

FOREIGN PATENT DOCUMENTS

CN 304606847 * 5/2018
 CN 305626326 * 2/2020
 CN 305626327 * 2/2020
 CN 305852310 * 6/2020

CN 306391829 * 3/2021
 CN 306496008 * 4/2021
 CN 306496009 * 4/2021
 CN 306141794 * 7/2021
 EM 004368520-0001 * 10/2017
 EM 004368520-0002 * 10/2017
 EM 004368520-0003 * 10/2017
 EM 007480082-0001 * 1/2020
 EM 008262828-0001 * 11/2020
 GB 9007480082-0001 * 1/2020
 GB 9008262828-000 * 11/2020
 KR 300979800.0000 * 11/2018
 KR 300979801.000 * 11/2018
 KR 300979802.0000 * 11/2018

OTHER PUBLICATIONS

Britex [online] URL: https://www.alibaba.com/product-detail/BR-3620-Single-Head-15-Needles_60861925630.html?spm=a2700.details.0.0.29c1736562TXqE (visited Jul. 21, 2021) (Year: 2020).*

Fortever [online] URL: <https://www.facebook.com/277888719598904/photospcb.602421837145589/602421593812280/?type=3&theater> (visited Jul. 21, 2021) (Year: 2020).*

Highland Breeze 1501 [online] URL: <https://www.youtube.com/watch?v=p36C30ellMg> (visited Jul. 21, 2021) (Year: 2020).*

Janome [online] URL: <https://autogarment.com/single-head-multi-needle-embroidery-machine-janome/> (visited Jul. 21, 2021) (Year: 2014).*

Platinum MN 1000 [online] URL: <https://www.youtube.com/watch?v=RI1FT7nreQ0> (visited Jul. 21, 2021) (Year: 2018).*

WYSD [online] URL: https://www.alibaba.com/product-detail/best-choice-computer-12-needle-one_62500440635.html (visited Jul. 21, 2021) (Year: 2020).*

* cited by examiner

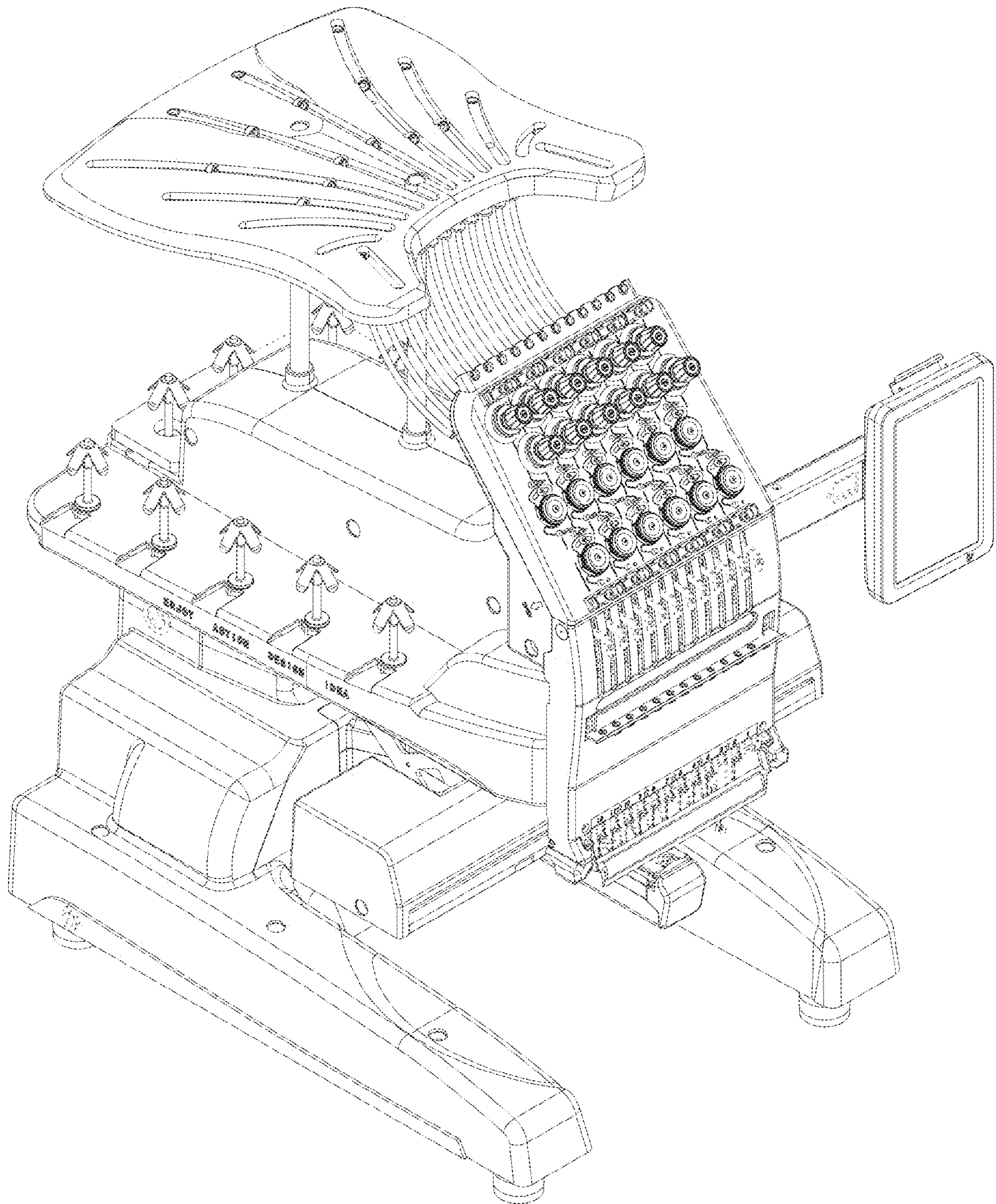


FIG. 1

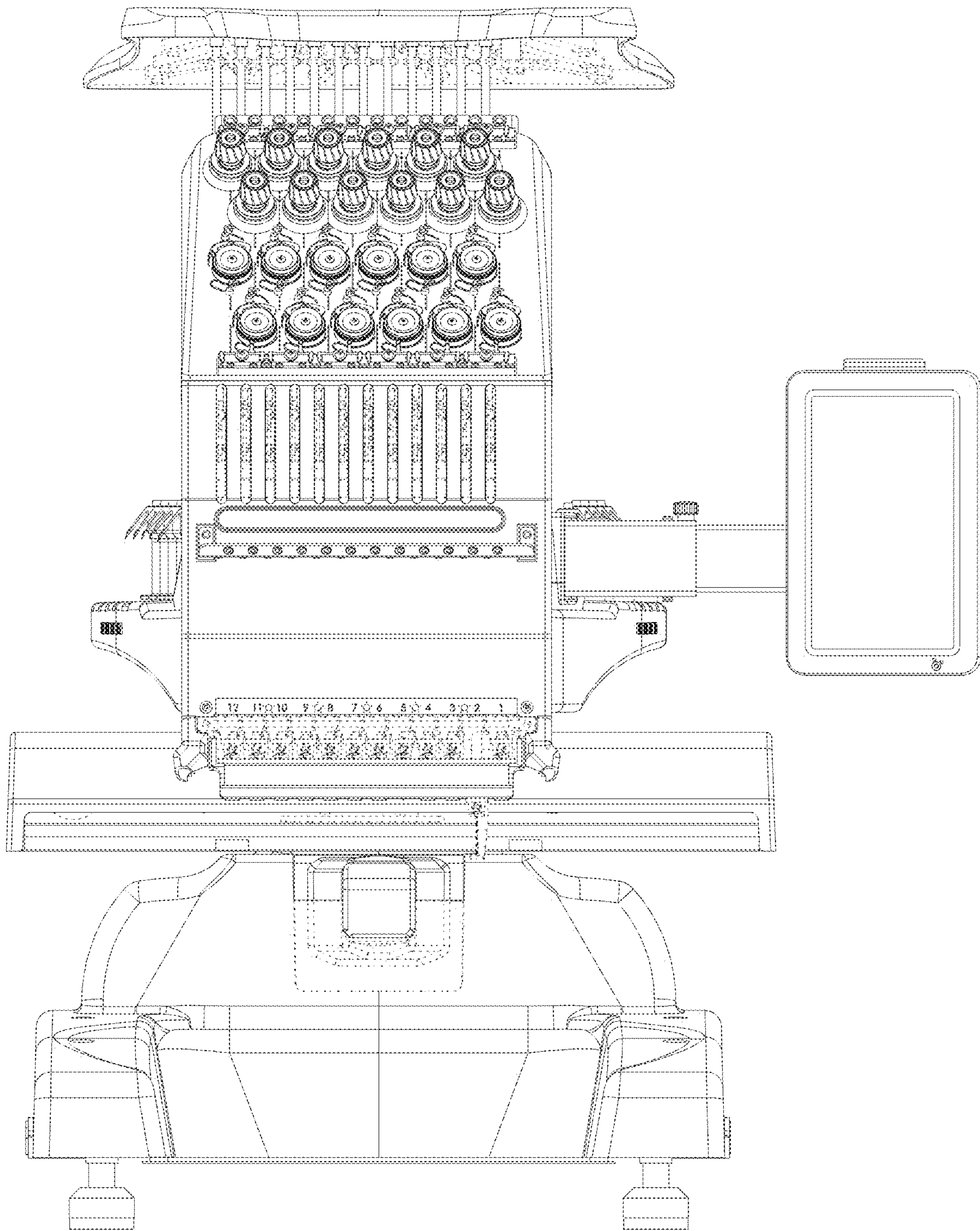


FIG. 2

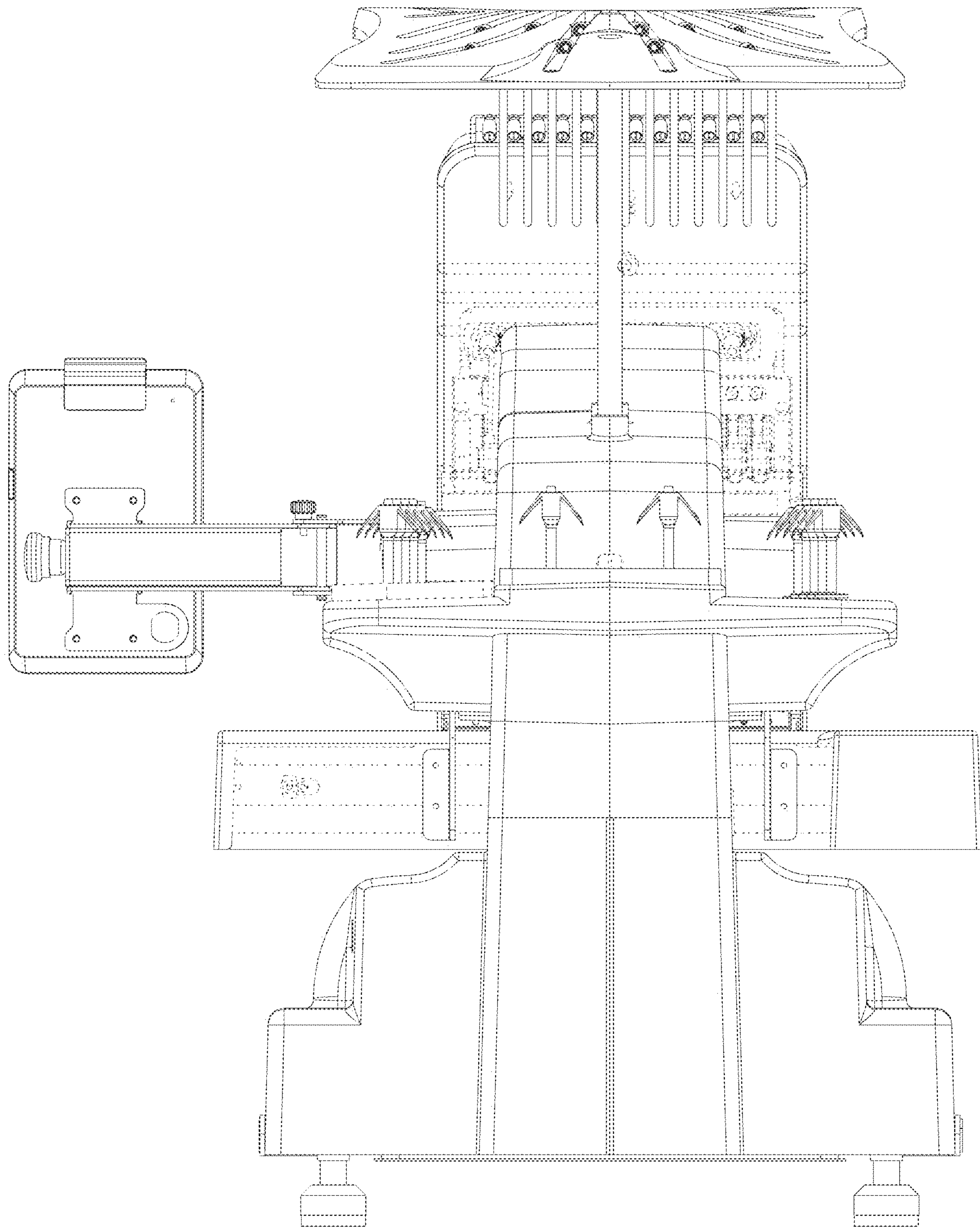


FIG. 3

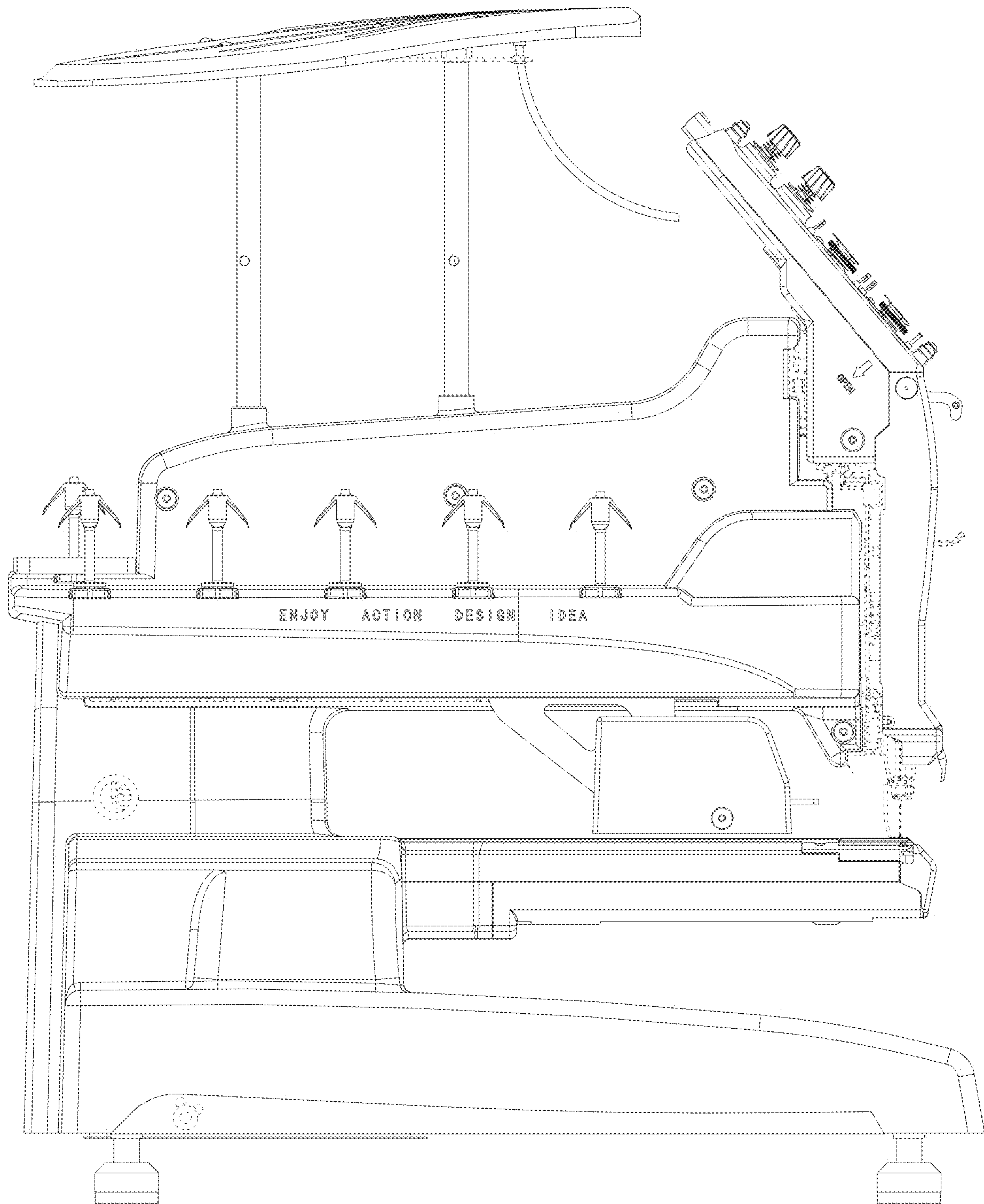


FIG. 4

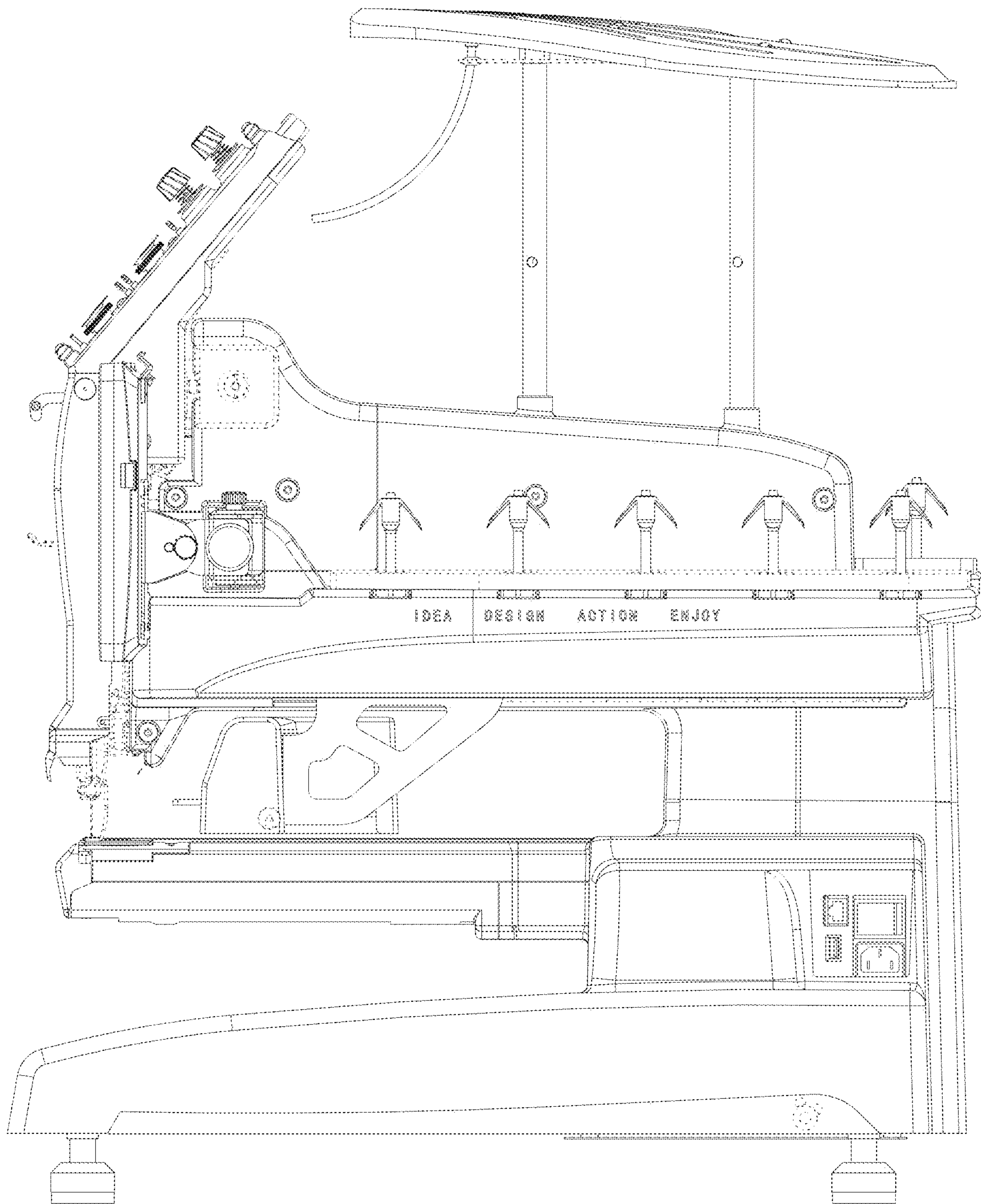


FIG. 5

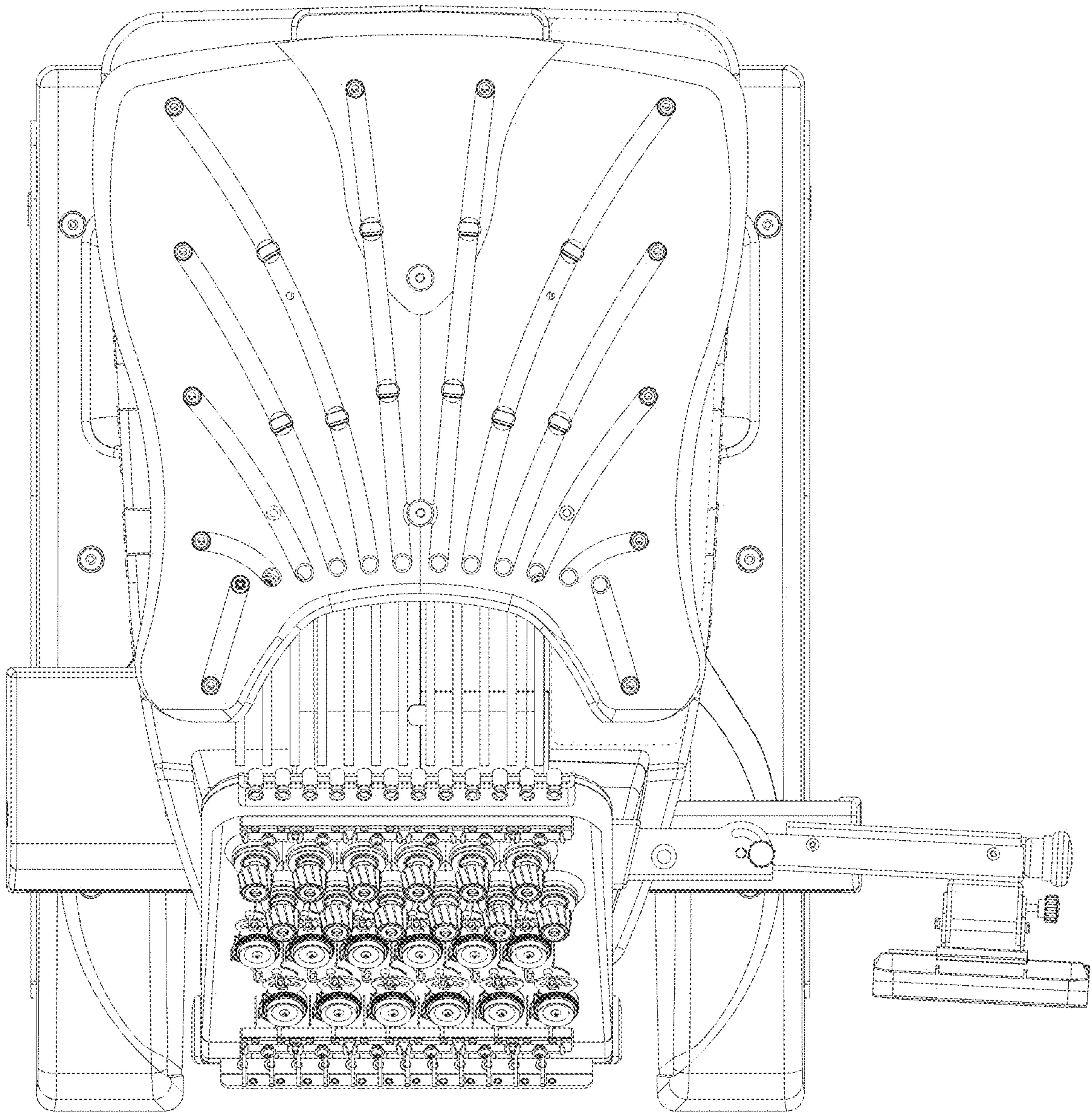


FIG. 6

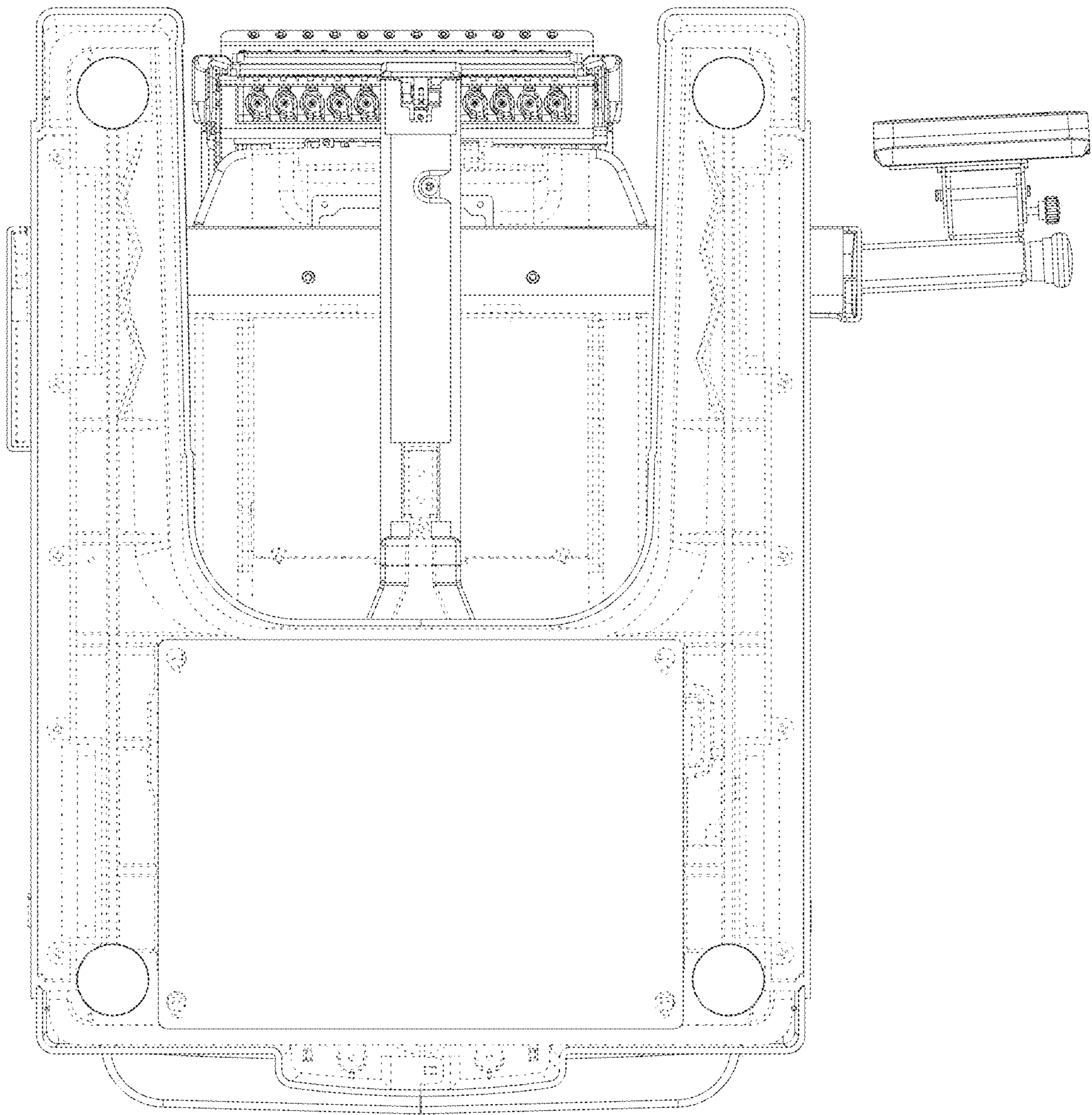


FIG. 7

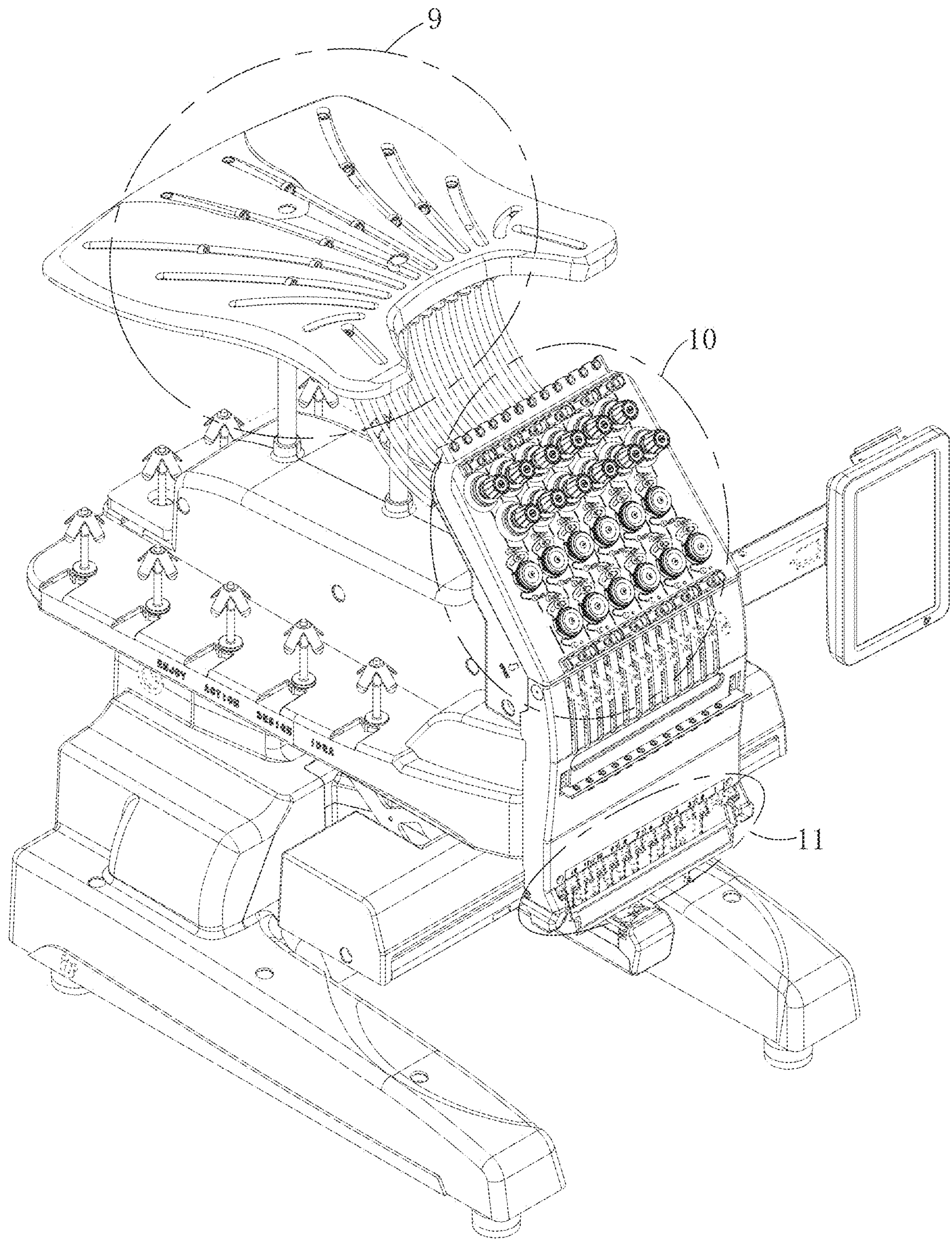


FIG. 8

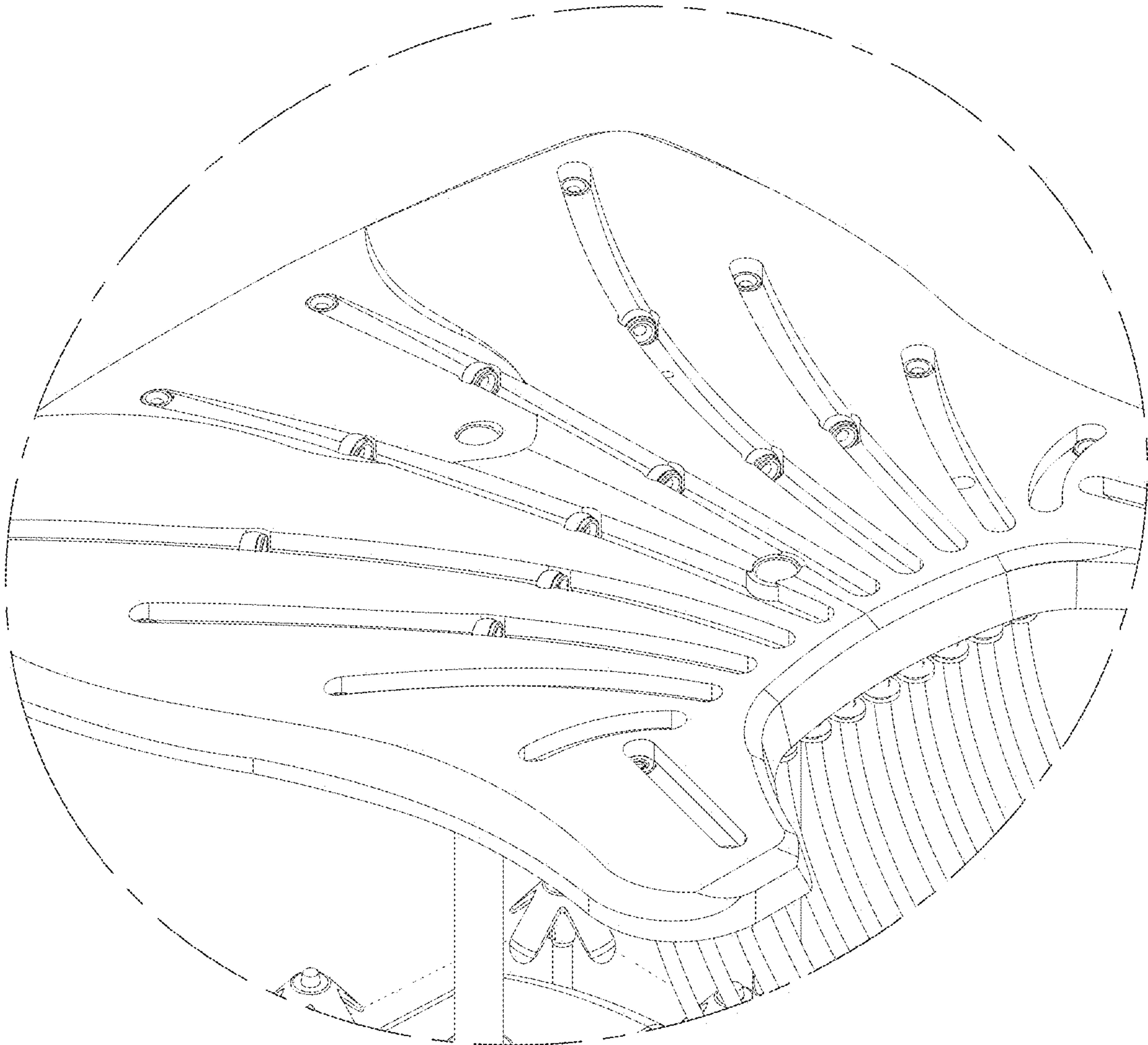


FIG. 9

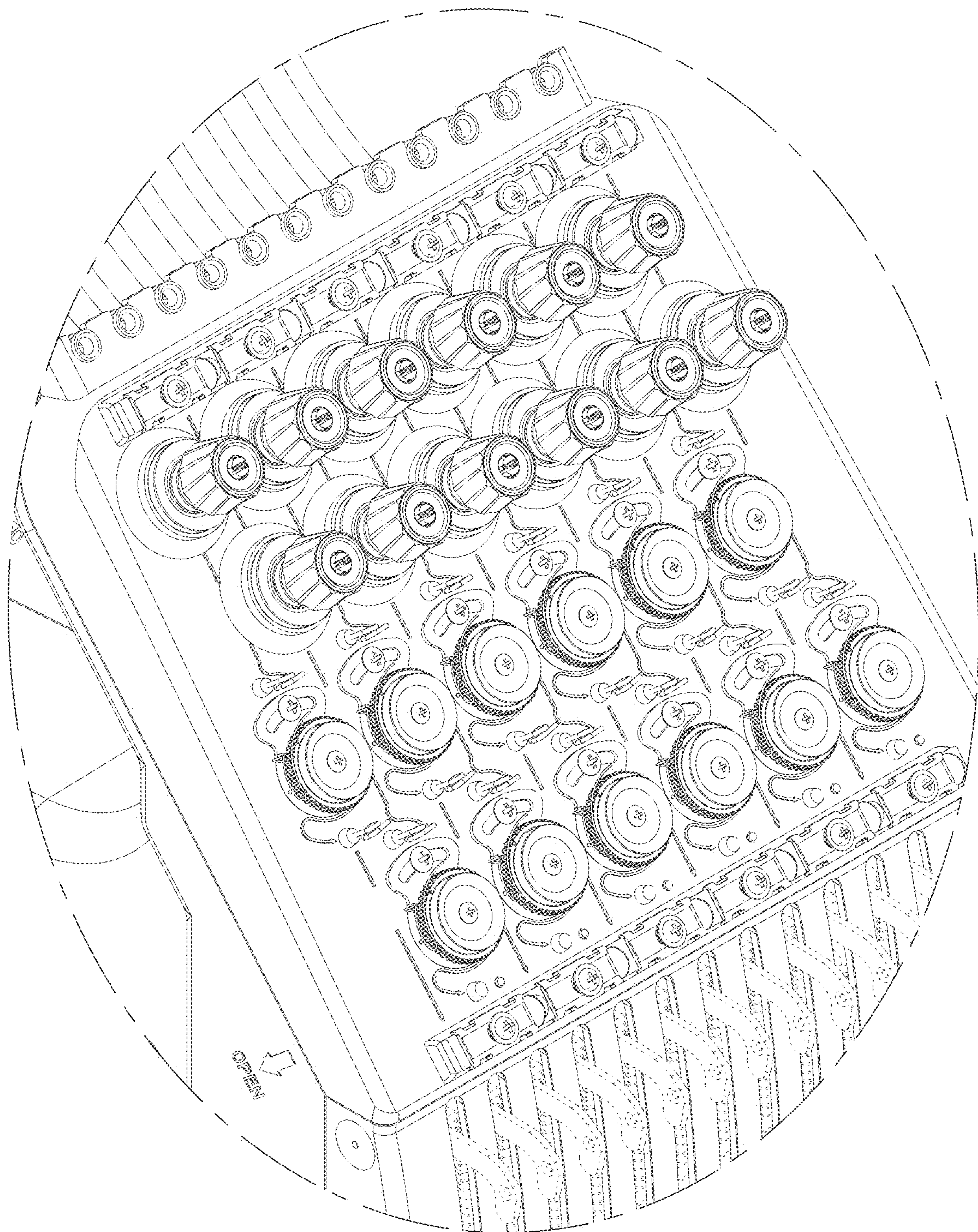


FIG. 10

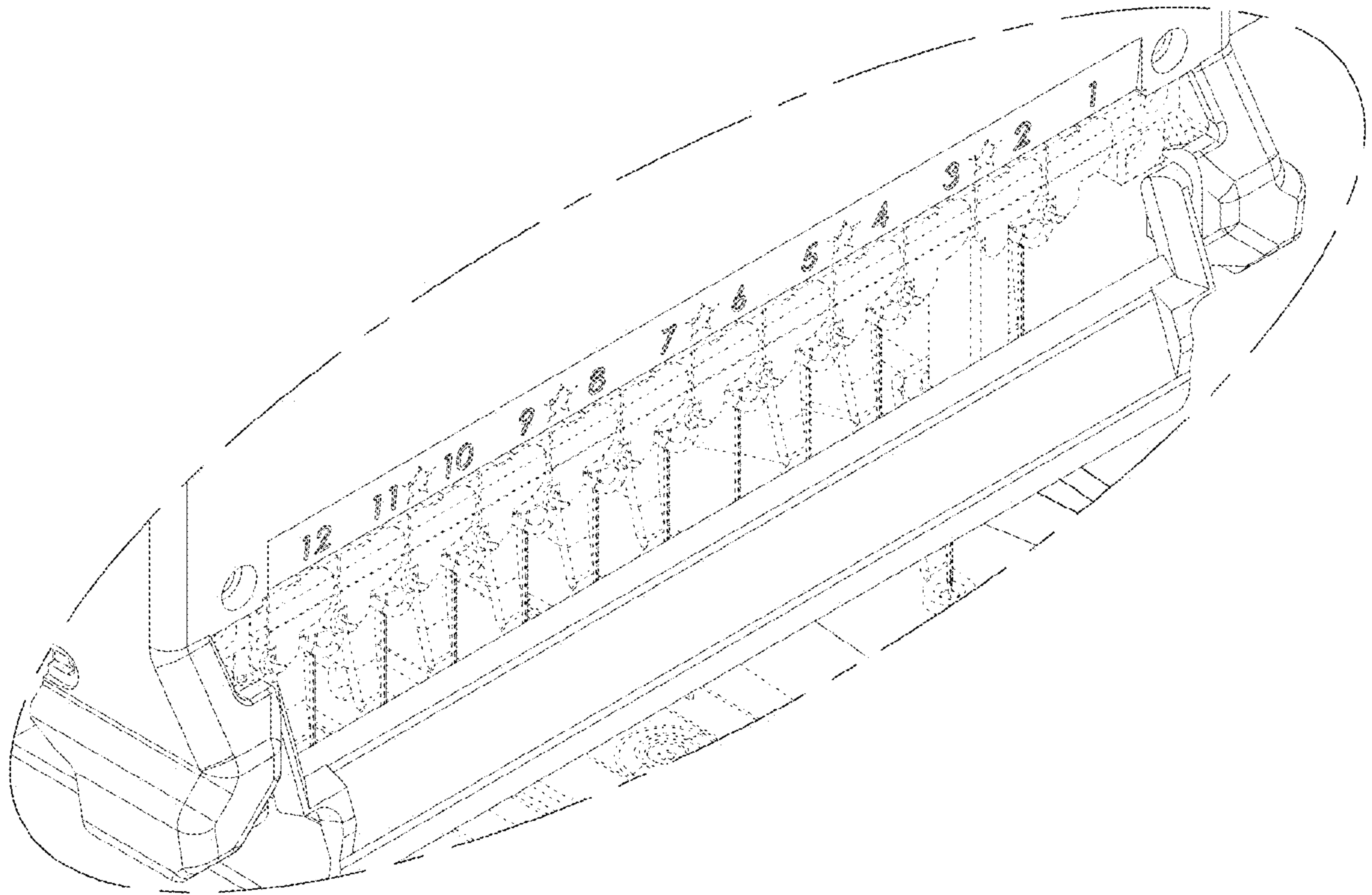


FIG. 11