



US00D953381S

(12) **United States Design Patent** (10) **Patent No.:** **US D953,381 S**  
**Sivinski et al.** (45) **Date of Patent:** **\*\* May 31, 2022**

(54) **MOUNTING BRACKET FOR AN AGRICULTURAL TOOL BAR ACCESSORY**

(71) Applicant: **Harvest International, Inc.**, Storm Lake, IA (US)

(72) Inventors: **Jeffrey Alan Sivinski**, Cherokee, IA (US); **Byron James Friesen**, Storm Lake, IA (US); **Garry D. Friesen**, Storm Lake, IA (US)

(73) Assignee: **Harvest International, Inc.**, Storm Lake, IA (US)

(\*\*) Term: **15 Years**

(21) Appl. No.: **29/789,035**

(22) Filed: **Aug. 26, 2021**

**Related U.S. Application Data**

(63) Continuation of application No. 16/352,179, filed on Mar. 13, 2019, now Pat. No. 11,185,008.

(51) **LOC (13) Cl.** ..... **15-03**

(52) **U.S. Cl.**  
USPC ..... **D15/28**

(58) **Field of Classification Search**  
USPC ..... D15/13, 21, 28

(Continued)

(56) **References Cited**

**U.S. PATENT DOCUMENTS**

D272,069 S \* 1/1984 Larsson ..... D15/28  
D272,070 S \* 1/1984 Larsson ..... D15/28

(Continued)

**FOREIGN PATENT DOCUMENTS**

AU 2009100124 A4 3/2009  
CA 2927668 A1 12/2016

(Continued)

**OTHER PUBLICATIONS**

Dawn Floating Trashwheels™ Row Cleaners, [http://www.dawnequipment.com/Floating\\_Trashwheels.html](http://www.dawnequipment.com/Floating_Trashwheels.html), pp. 1-11, Nov. 8, 2021.

(Continued)

*Primary Examiner* — Mark A Goodwin

(74) *Attorney, Agent, or Firm* — McKee, Voorhees & Sease, PLC

(57) **CLAIM**

We claim the ornamental design for a mounting bracket for an agricultural tool bar accessory, substantially as shown and described.

**DESCRIPTION**

FIG. 1 is a perspective view of the mounting bracket for an agricultural tool bar accessory, according to the present invention.

FIG. 2 is a right side elevation view of the mounting bracket shown in FIG. 1.

FIG. 3 is a left side elevation view of the mounting bracket shown in FIG. 1.

FIG. 4 is a front elevation view of the mounting bracket shown in FIG. 1.

FIG. 5 is a rear elevation view of the mounting bracket shown in FIG. 1.

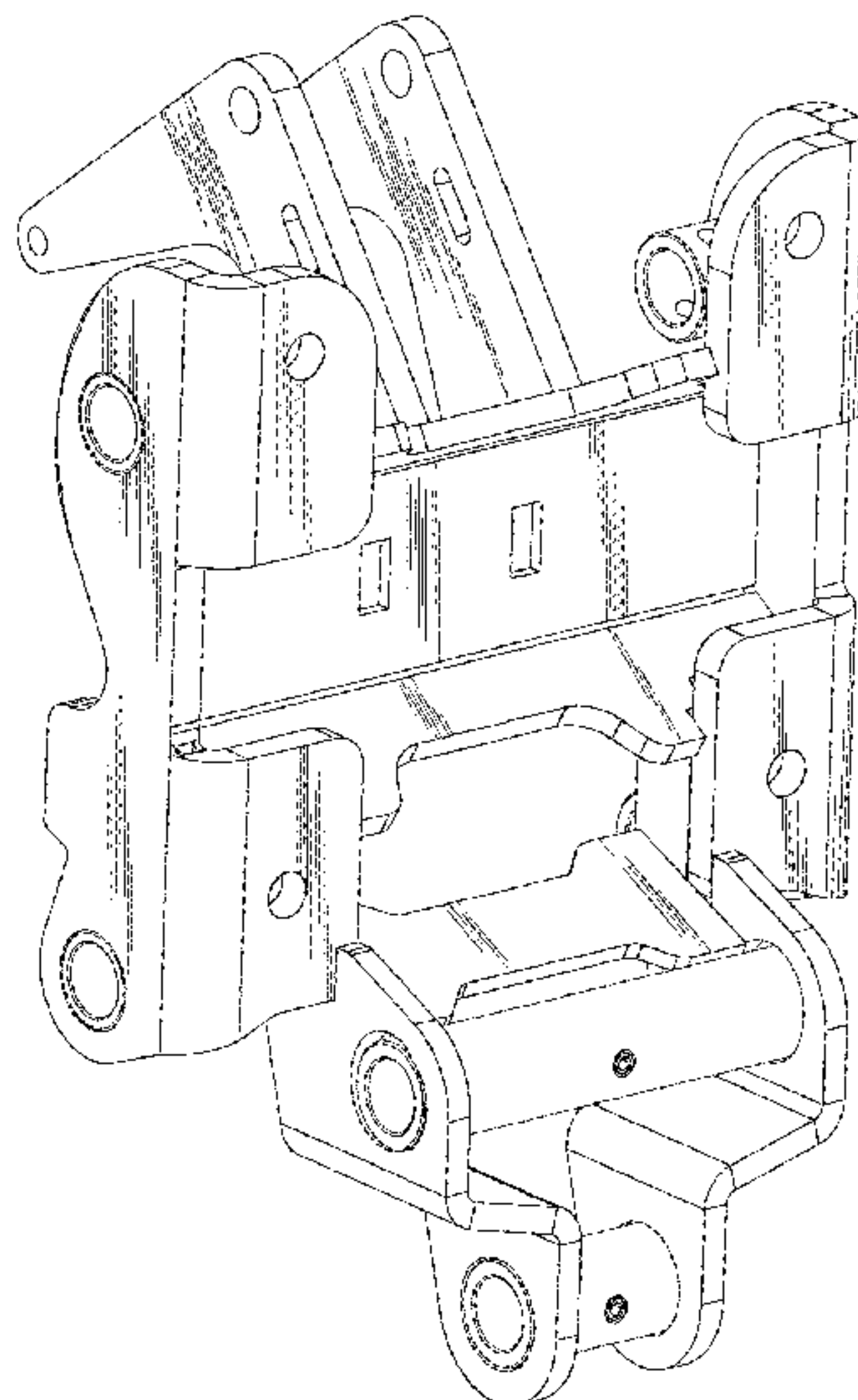
FIG. 6 is a top plan view of the mounting bracket shown in FIG. 1.

FIG. 7 is a bottom plan view of the mounting bracket shown in FIG. 1; and,

FIG. 8 is a perspective view of the mounting bracket shown in FIG. 1, as utilized on an agricultural tool bar.

Figures show the mounting bracket with structure shown in broken lines that are not a part of the claimed invention.

**1 Claim, 8 Drawing Sheets**



(58) **Field of Classification Search**

CPC ..... A01B 73/06; A01B 73/067; A01B 73/044;  
 A01B 73/00; A01B 73/02; A01B 73/04;  
 A01B 15/12; A01B 15/16; A01C 5/064;  
 A01C 7/006; A01C 7/201; A01C 7/203;  
 A01C 13/00; A01C 15/00

See application file for complete search history.

D850,887 S \* 6/2019 Solow ..... D8/349  
 D868,845 S \* 12/2019 Sonerud ..... A01B 73/06  
 D15/28  
 10,555,452 B2 2/2020 Martin et al.  
 2011/0155031 A1 6/2011 Arnett et al.  
 2014/0262377 A1 9/2014 Winick et al.  
 2016/0150714 A1 6/2016 Unruh  
 2017/0258002 A1 9/2017 Sivinski  
 2019/0281756 A1\* 9/2019 Sivinski ..... A01C 7/006

(56) **References Cited**

U.S. PATENT DOCUMENTS

D272,250 S \* 1/1984 Larsson ..... D15/28  
 4,796,550 A 1/1989 Van Natta et al.  
 5,341,754 A 8/1994 Winterton  
 5,497,716 A 3/1996 Shoup  
 6,070,673 A 6/2000 Wendte  
 D440,983 S \* 4/2001 Miller ..... D15/28  
 6,253,692 B1 7/2001 Wendling et al.  
 D455,762 S \* 4/2002 Kaczmariski ..... D15/28  
 D458,942 S \* 6/2002 Balemi ..... D15/28  
 D645,061 S \* 9/2011 Plummer ..... D15/123  
 D709,529 S \* 7/2014 Hutchinson ..... D15/28  
 9,232,687 B2 1/2016 Bassett  
 D782,545 S \* 3/2017 Forth ..... D15/28  
 9,743,572 B2 8/2017 Martin  
 D824,430 S \* 7/2018 Sivinski ..... D15/28  
 D840,282 S \* 2/2019 Coste ..... D12/162

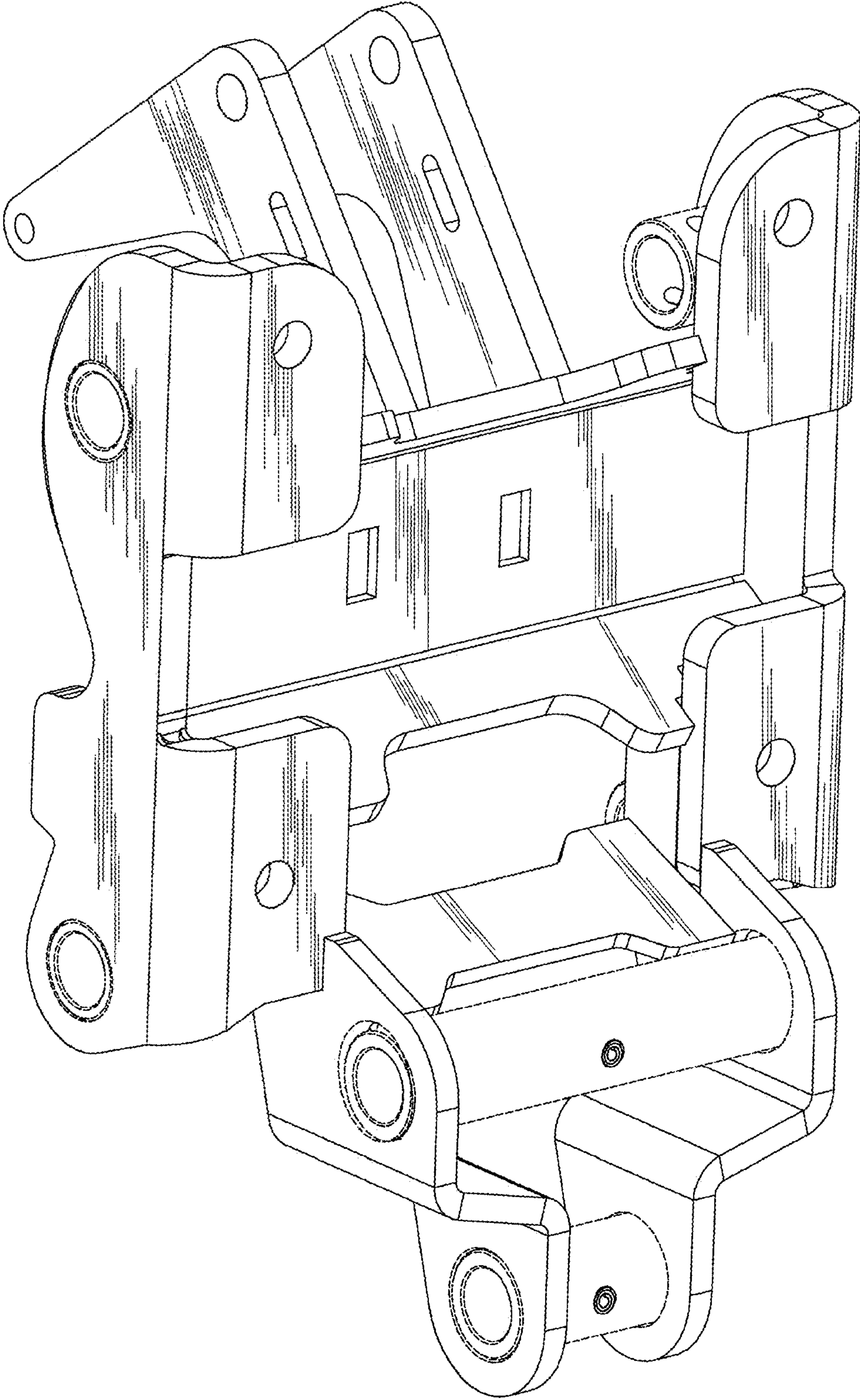
FOREIGN PATENT DOCUMENTS

DE 1967917 U 9/1967  
 DE 19748837 A1 5/1999  
 EP 3228170 A1 10/2017  
 WO 2009149473 A2 12/2009  
 WO 2010003142 A2 1/2010

OTHER PUBLICATIONS

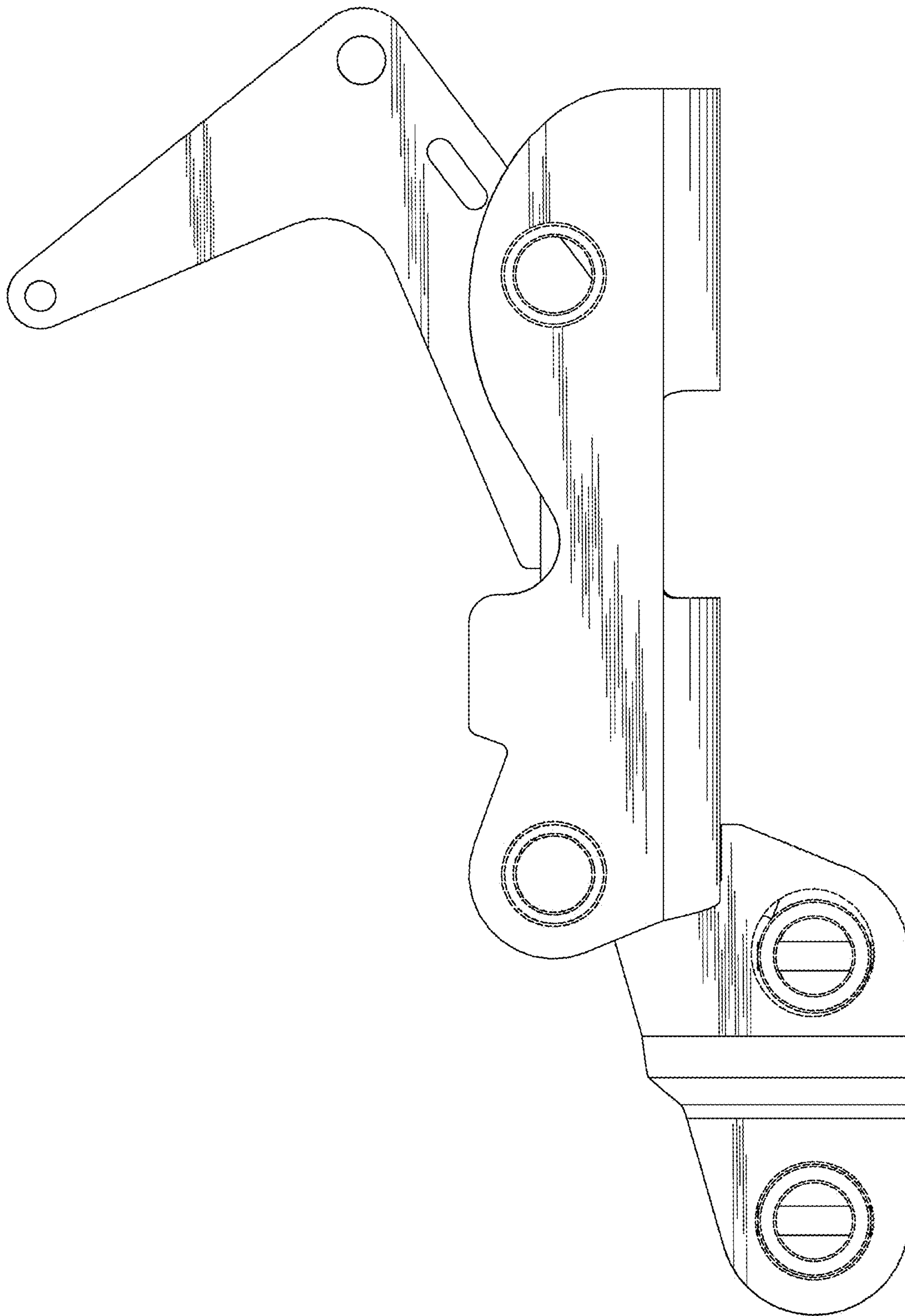
Martin-Till, "ACCR Compact Floating Row Cleaner", Brochure, 1 page, 2021.  
 Yetter Farm Equipment, "2940-010 Air Adjust™ Coulter/Row Cleaner Combo", <https://www.yetterco.com/products/27-plantermount-row-cleaner-combos/298-2940010-air-adjust-coulterrow-cleaner-combo>, pp. 1-4, Nov. 8, 2021.

\* cited by examiner

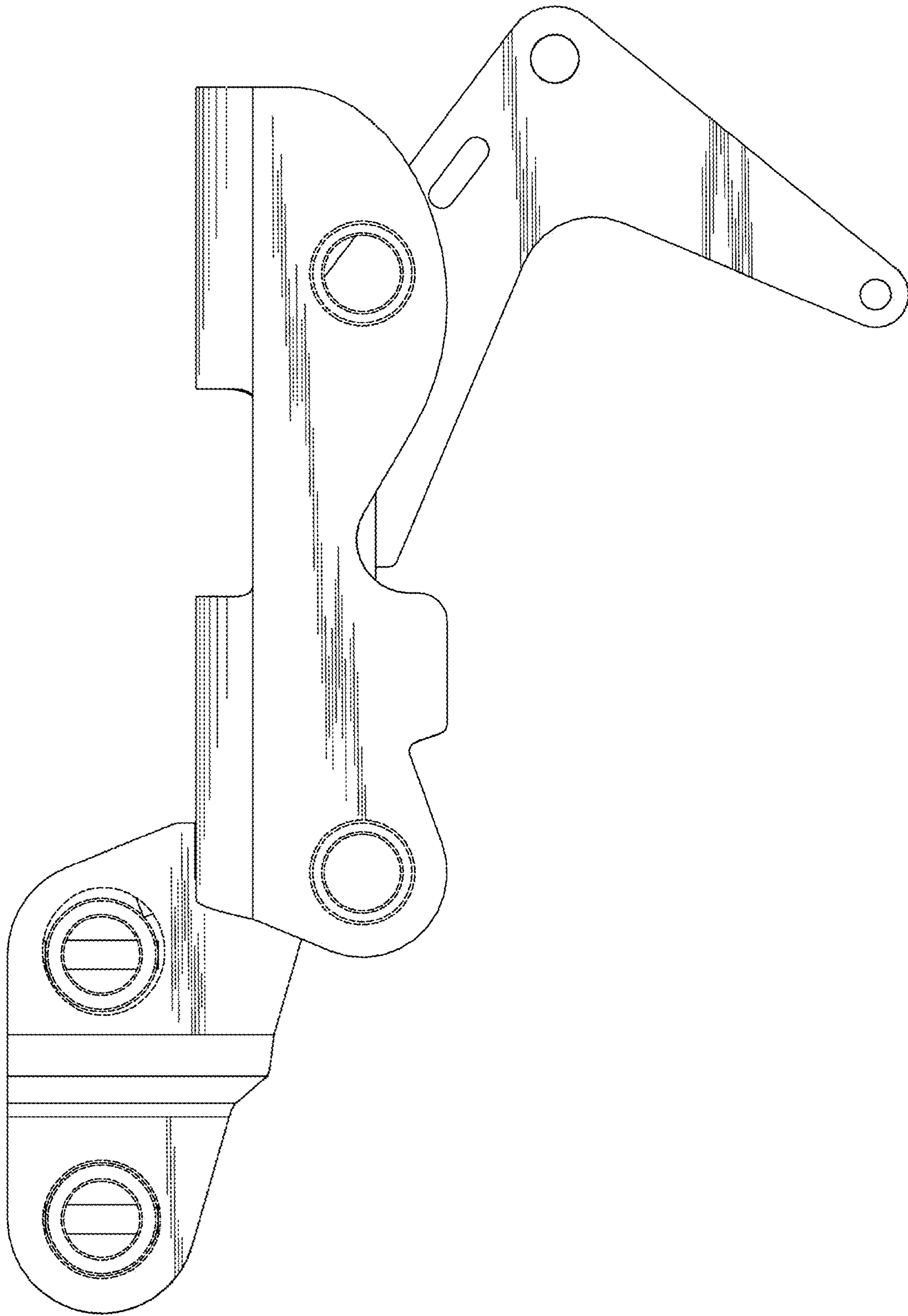


*Fig. 1*

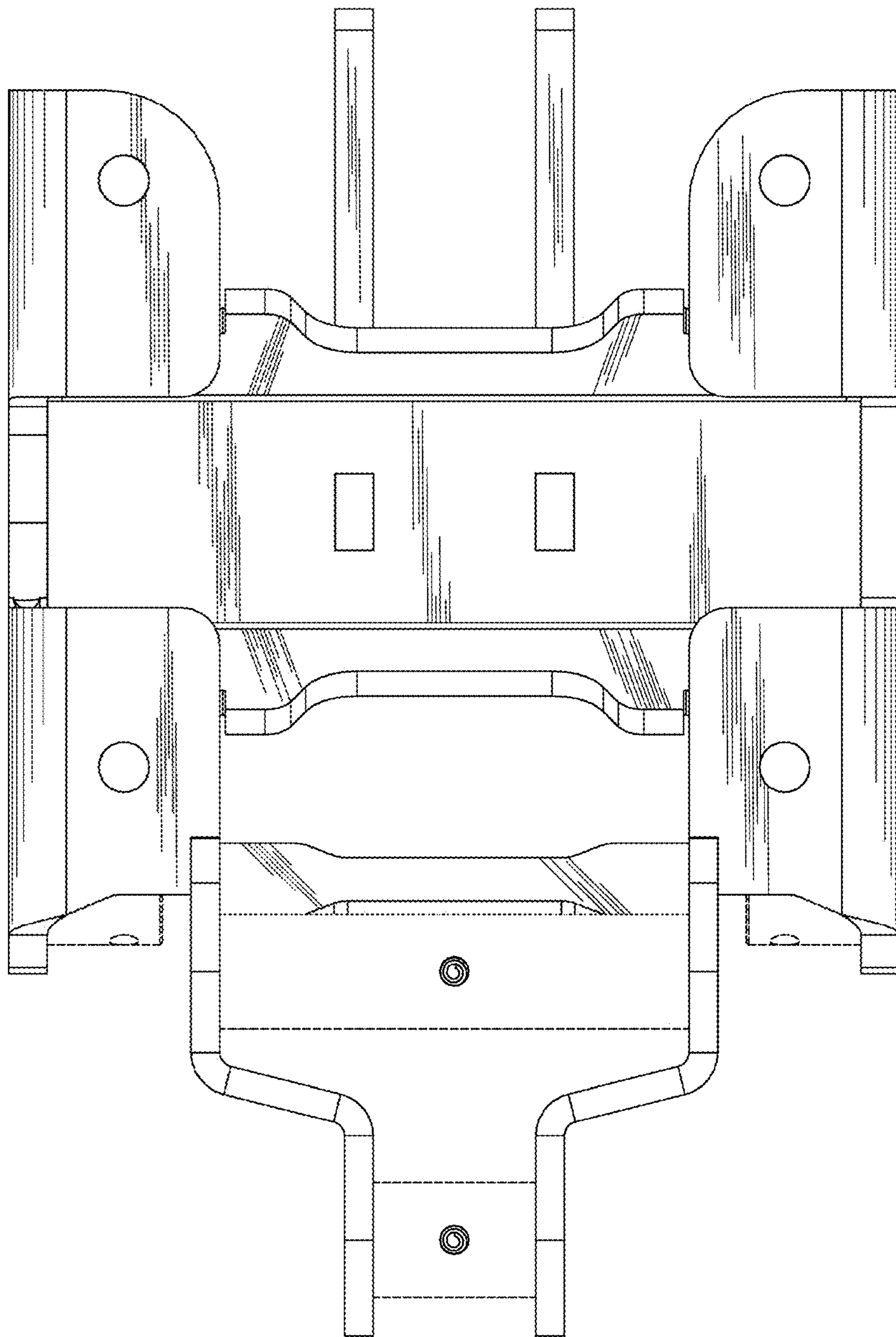




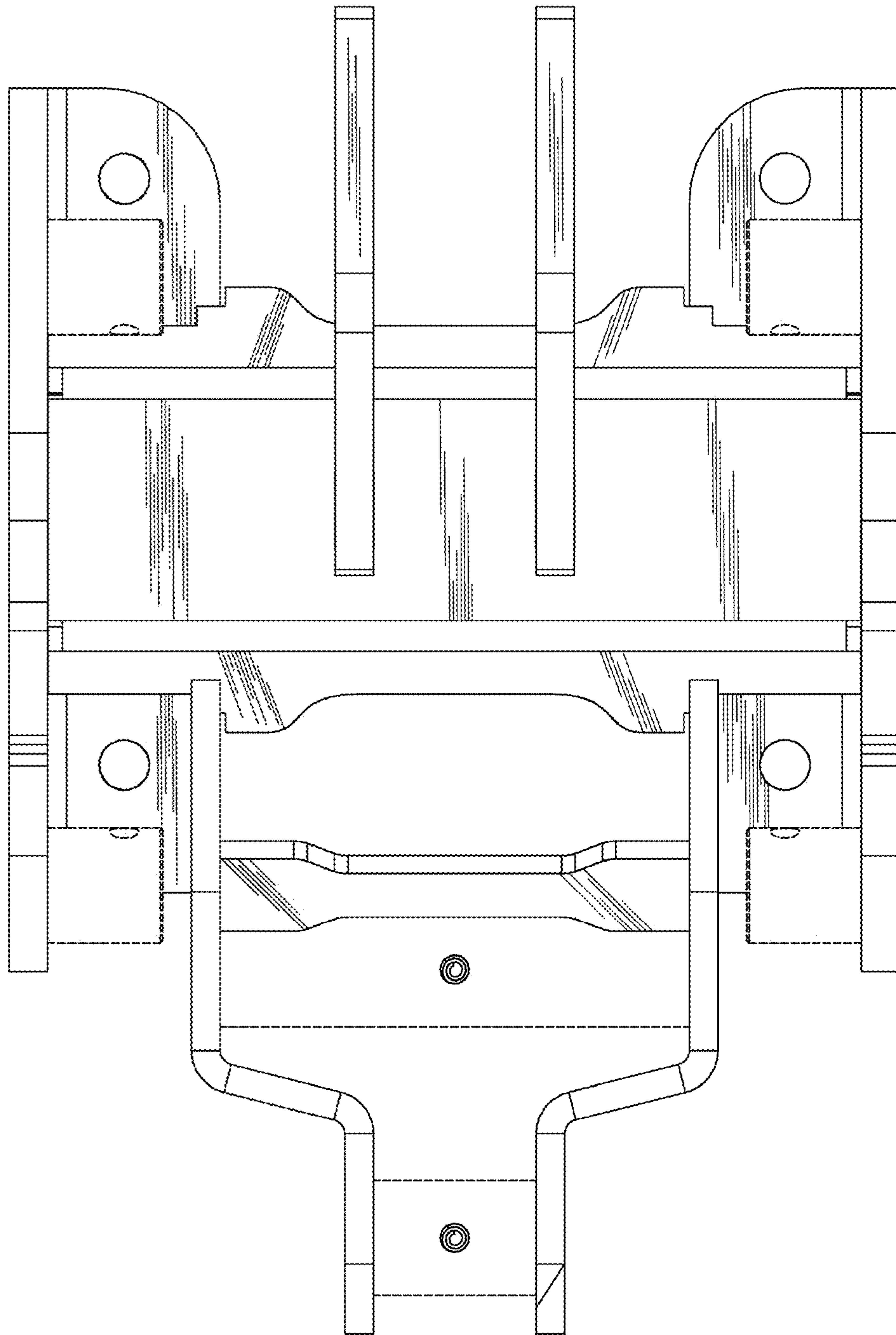
*Fig. 2*



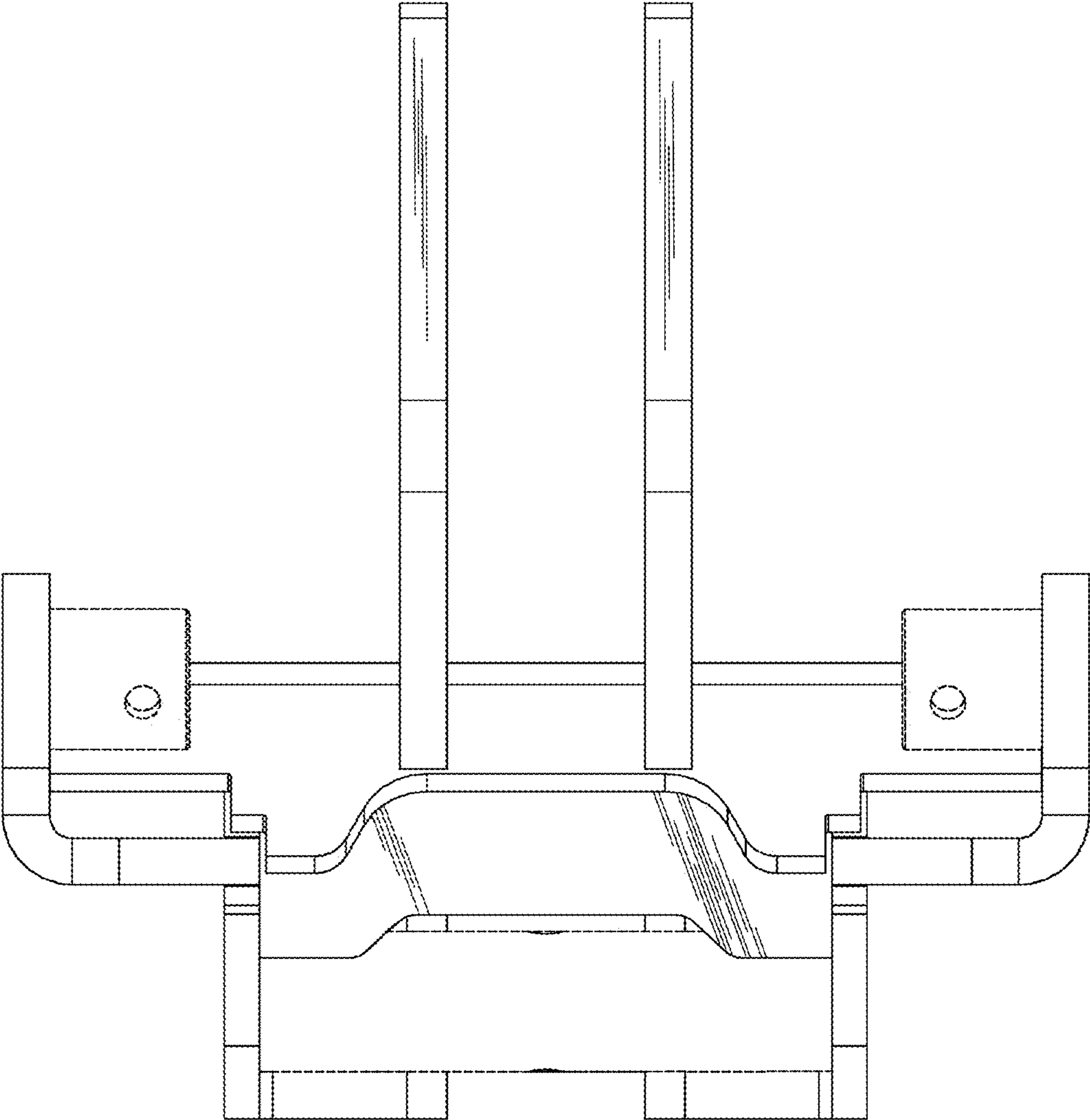
*Fig. 3*



*Fig. 4*

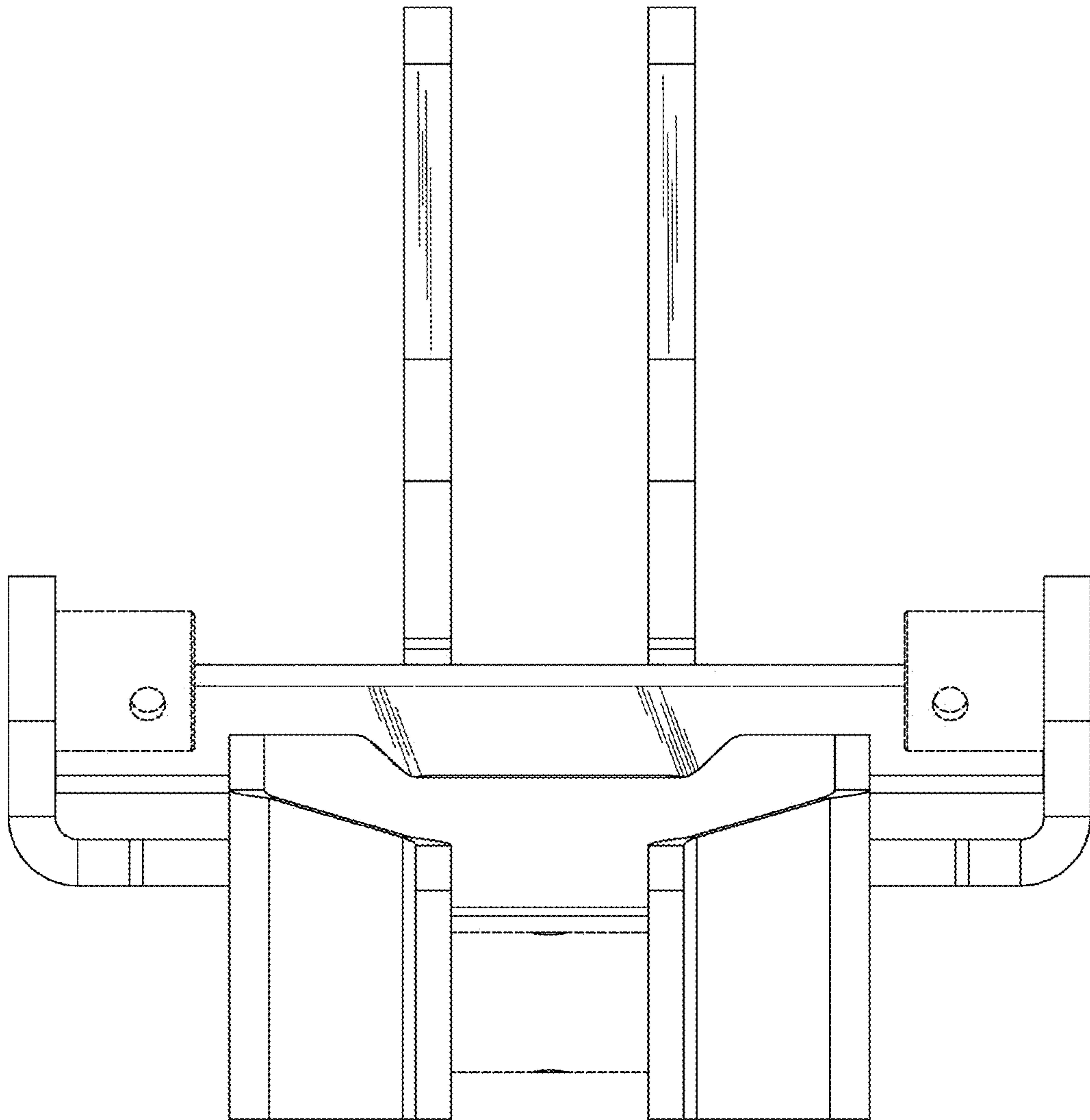


*Fig. 5*

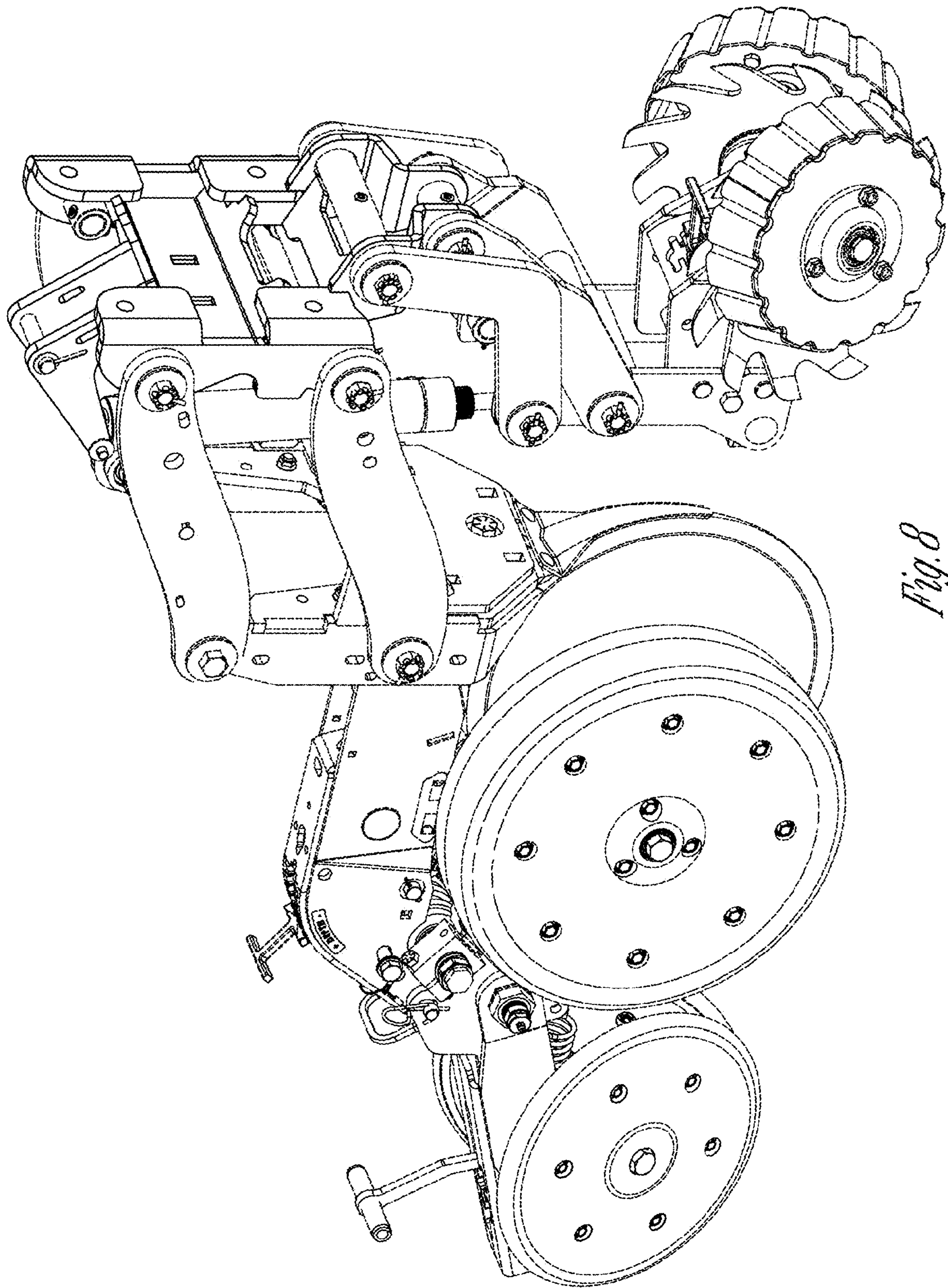


*Fig. 6*





*Fig. 7*



*Fig. 8*