



US00D953379S

(12) **United States Design Patent** (10) **Patent No.:** **US D953,379 S**
Benfer (45) **Date of Patent:** **** May 31, 2022**

(54) **BRUSH MOVER ATTACHMENT**
(71) Applicant: **Randy Benfer**, Clinton, TX (US)
(72) Inventor: **Randy Benfer**, Clinton, TX (US)
(**) Term: **15 Years**
(21) Appl. No.: **29/766,226**
(22) Filed: **Jan. 14, 2021**
(51) **LOC (13) Cl.** **15-03**
(52) **U.S. Cl.**
USPC **D15/28**
(58) **Field of Classification Search**
USPC D15/28
CPC A01D 45/00; A01D 45/10; A01D 63/02;
A01D 65/00; A01D 67/00
See application file for complete search history.

7,823,303 B2 11/2010 Nagamatsu et al.
8,001,708 B1 * 8/2011 Reed A01G 23/062
37/302
8,176,990 B2 5/2012 Beller et al.
8,322,947 B2 12/2012 Neumann
8,474,159 B2 7/2013 Molino
8,745,903 B1 6/2014 Ritter
8,869,911 B2 10/2014 Anderson
9,648,796 B1 * 5/2017 Tschetter A01B 43/00
9,988,774 B2 6/2018 Howe et al.
2001/0009077 A1 * 7/2001 Pitts E01B 27/025
37/105
2006/0210385 A1 * 9/2006 Cook E02F 3/34
414/725
2012/0048578 A1 * 3/2012 Seal E02F 3/7631
172/1

* cited by examiner

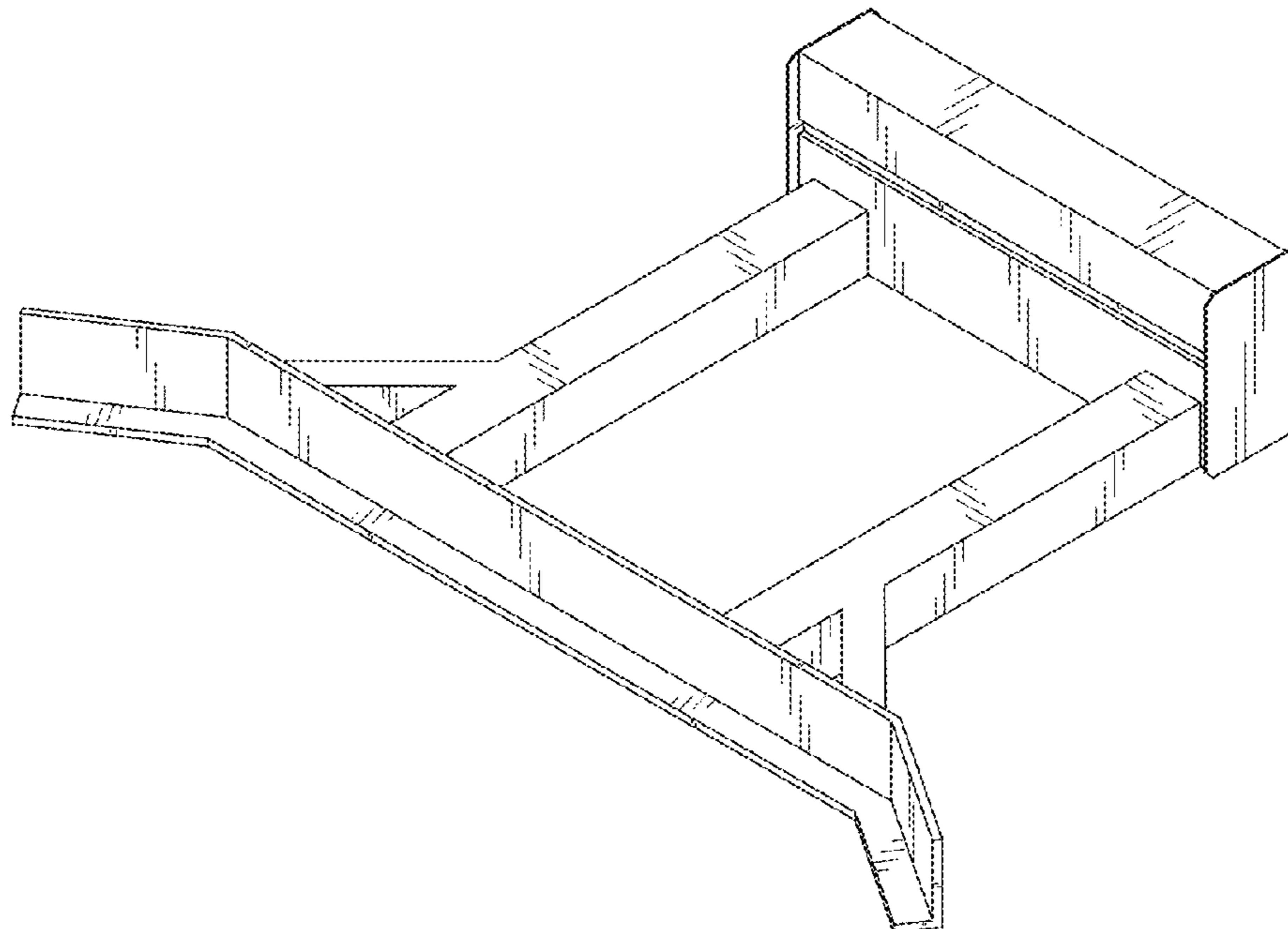
Primary Examiner — Mark A Goodwin
(74) *Attorney, Agent, or Firm* — Cramer Patent & Design, PLLC; Aaron R. Cramer

(56) **References Cited**
U.S. PATENT DOCUMENTS
4,903,418 A * 2/1990 Loudon A01G 23/043
111/101
5,147,011 A * 9/1992 Hvolka B60P 1/025
180/242
5,265,995 A * 11/1993 Beck E02F 3/964
180/331
5,901,479 A * 5/1999 Langdon E02F 3/962
37/444
6,871,485 B2 3/2005 Schafer
7,104,745 B2 * 9/2006 Ochoa E02F 3/80
37/444
7,273,111 B2 * 9/2007 Johnson E02F 3/815
172/684.5
7,520,306 B1 * 4/2009 Berge A01G 23/06
144/24.12
7,610,698 B2 * 11/2009 May A01G 23/062
144/24.12

(57) **CLAIM**
The ornamental design for a brush mover attachment, as shown and described.

DESCRIPTION
FIG. 1 is a perspective top front right view of a brush mover attachment, showing my new design;
FIG. 2 is a perspective top rear left view thereof;
FIG. 3 is a front elevation view thereof;
FIG. 4 is a rear elevation view thereof;
FIG. 5 is a right elevation view thereof;
FIG. 6 is a left elevation view thereof;
FIG. 7 is a top plan view thereof; and,
FIG. 8 is a bottom plan view thereof.

1 Claim, 6 Drawing Sheets



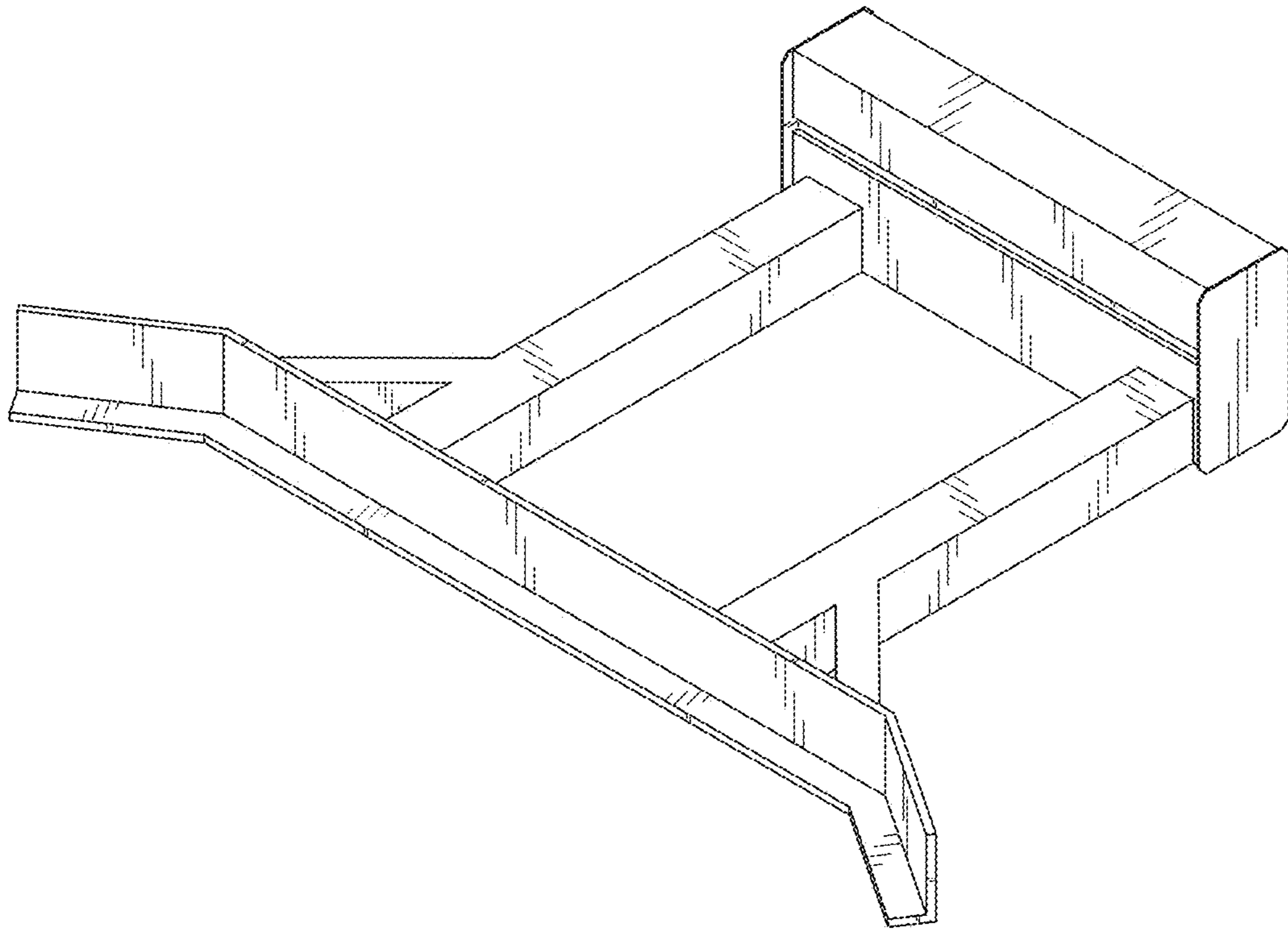


FIG. 1

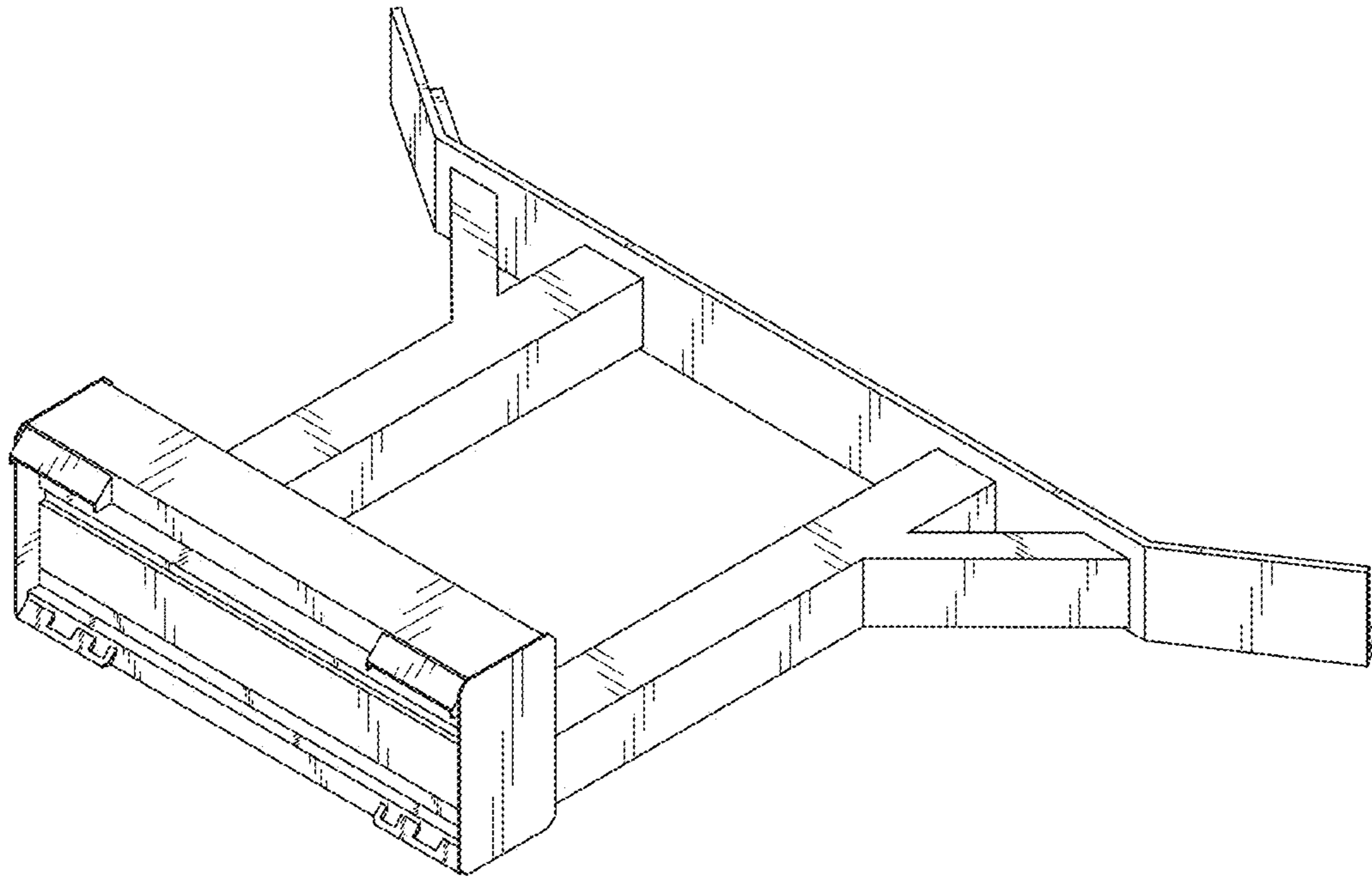


FIG. 2

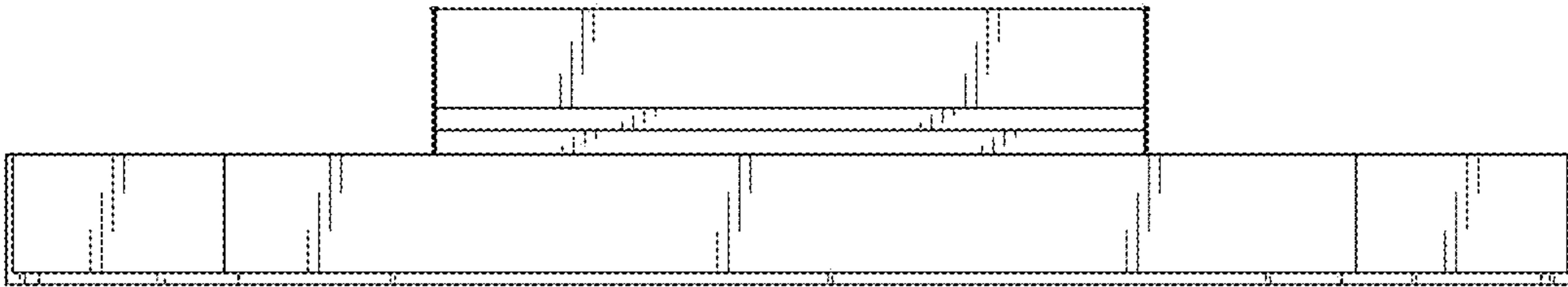


FIG. 3

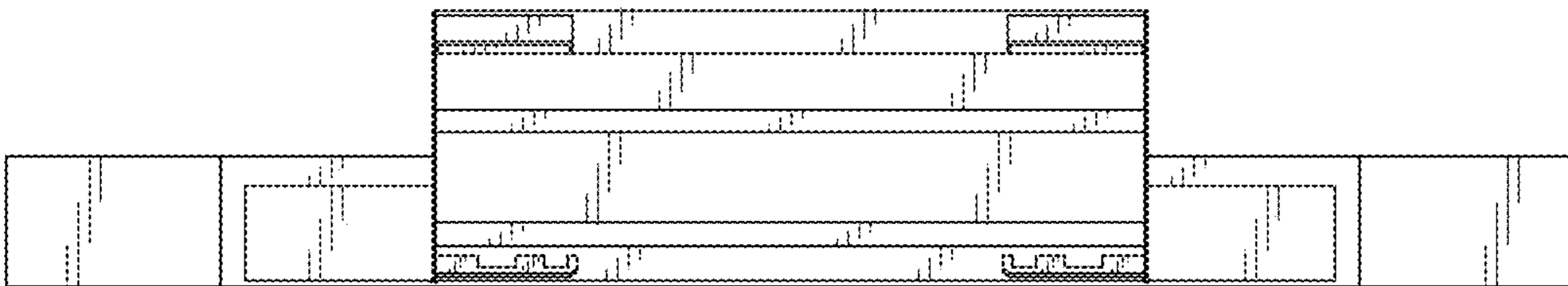


FIG. 4

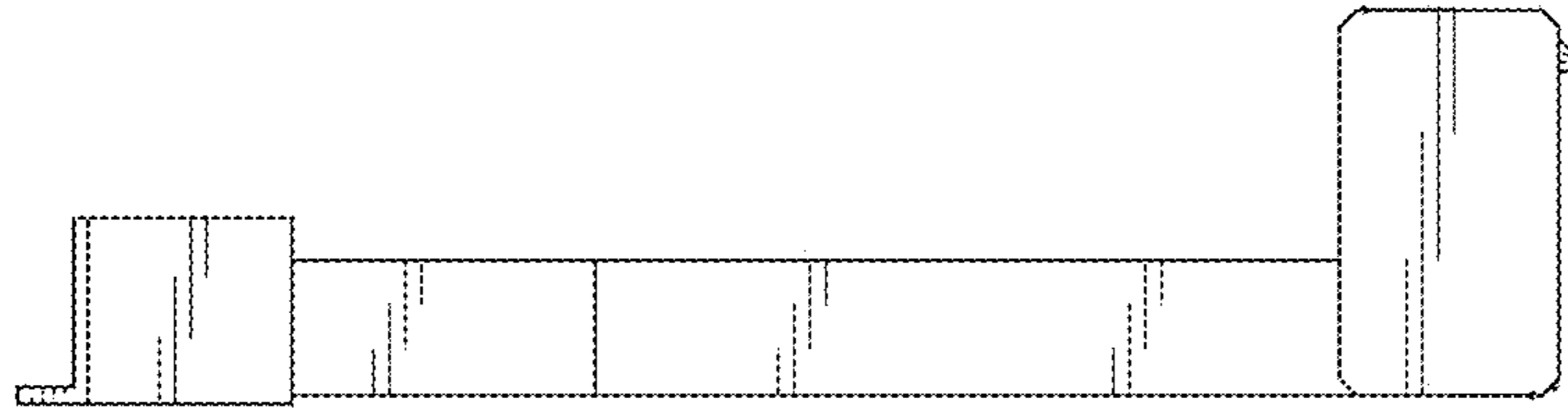


FIG. 5

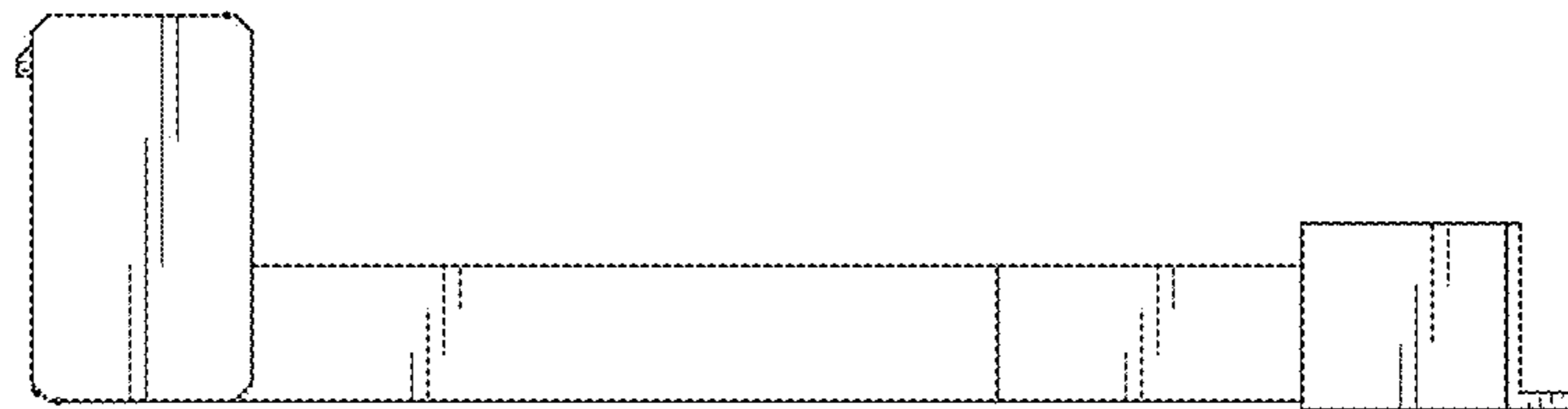


FIG. 6

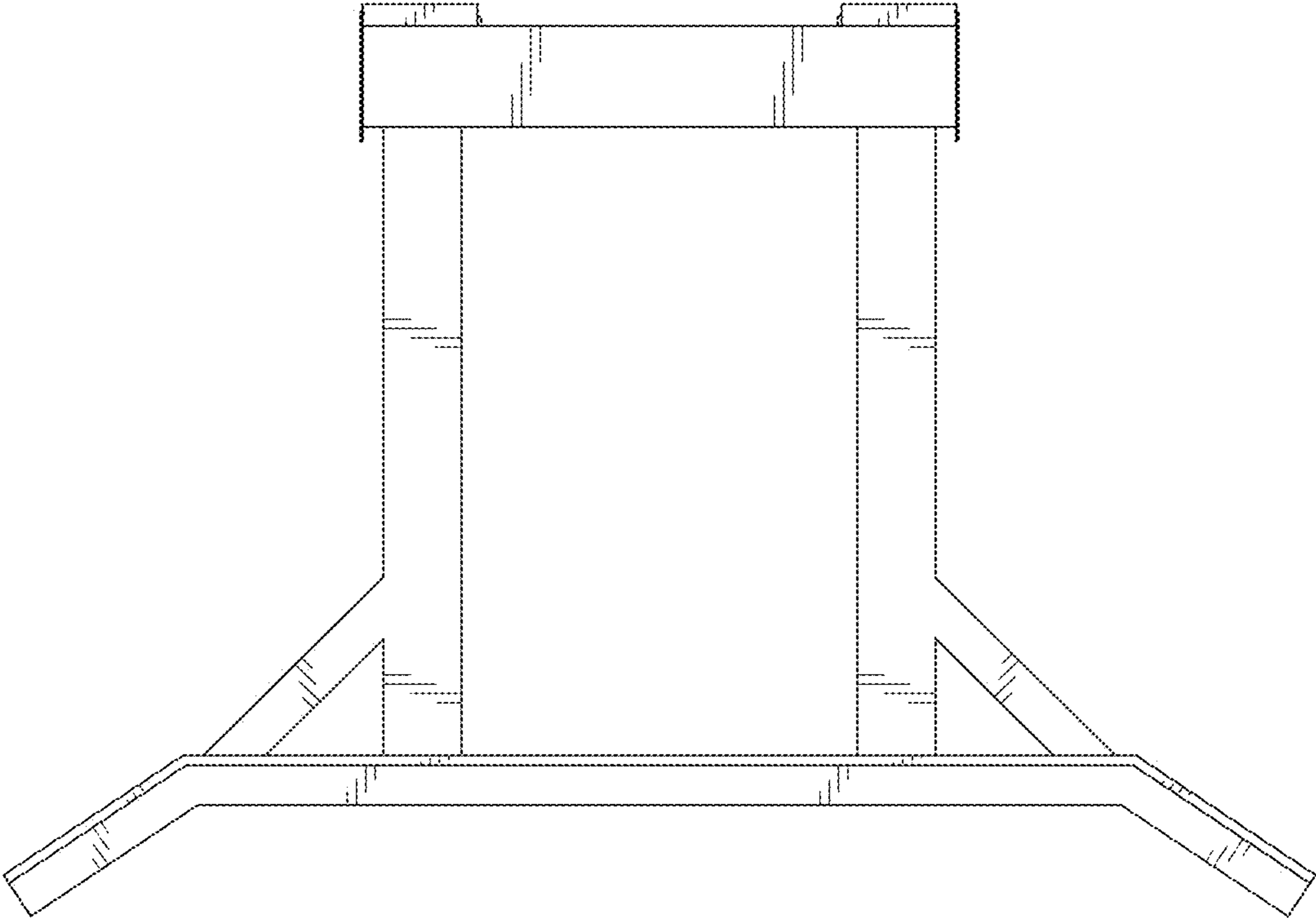


FIG. 7

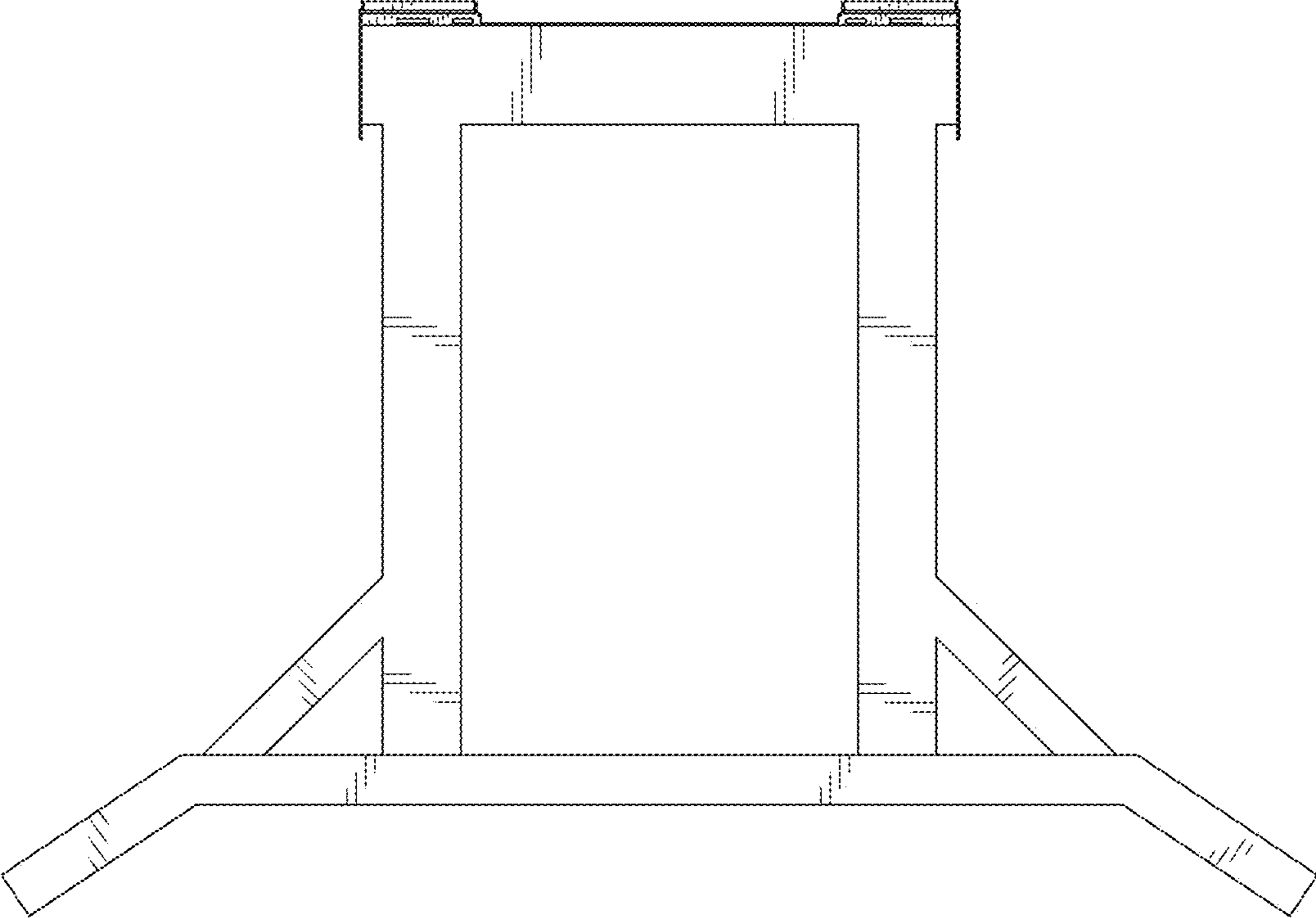


FIG. 8