



US00D953378S

(12) **United States Design Patent** (10) **Patent No.:** **US D953,378 S**
Xu (45) **Date of Patent:** **** May 31, 2022**

(54) **WOOD CHIPPER**
(71) Applicant: **Wensheng Xu**, Qingdao (CN)
(72) Inventor: **Wensheng Xu**, Qingdao (CN)
(**) Term: **15 Years**
(21) Appl. No.: **29/750,827**
(22) Filed: **Sep. 16, 2020**

(30) **Foreign Application Priority Data**
Jul. 8, 2020 (CN) 202030365594.2
(51) **LOC (13) Cl.** **15-03**
(52) **U.S. Cl.**
USPC **D15/10**
(58) **Field of Classification Search**
USPC D15/10-33; 241/188, 37.5, 101.7,
241/186.1-186.5, 282.2; 56/13.3, 13.4,
56/15.8, 16.7, 17.1, 202, 255, 320.2
CPC A01G 3/002; A01G 3/00; A01G 2003/005;
B02C 18/143; B02C 18/14; B02C 18/06
See application file for complete search history.

(56) **References Cited**
U.S. PATENT DOCUMENTS
3,817,462 A * 6/1974 Hamlin B02C 18/2291
241/101.78
D234,815 S * 4/1975 MacKissic D15/10
4,824,034 A * 4/1989 Baker B02C 13/04
241/101.2
4,860,961 A * 8/1989 Hilgarth B02C 18/12
241/92
4,984,747 A * 1/1991 Lechner B02C 18/12
241/101.78
5,018,672 A * 5/1991 Peck A01G 3/002
241/101.78
D328,603 S * 8/1992 Piltz D15/10

5,199,653 A * 4/1993 Durrant B02C 18/2291
241/101.78
D345,983 S * 4/1994 Bold D15/10
D356,319 S * 3/1995 Bold D15/10
D356,801 S * 3/1995 Bold D15/10
D357,259 S * 4/1995 Bold D15/10
D358,399 S * 5/1995 Tiedeman D15/10
D781,925 S * 3/2017 Kanchibhotla D15/10
D784,418 S * 4/2017 Jin D15/10
D931,904 S * 9/2021 Wang D15/10

* cited by examiner

Primary Examiner — Mark A Goodwin
(74) Attorney, Agent, or Firm — J.C. Patents

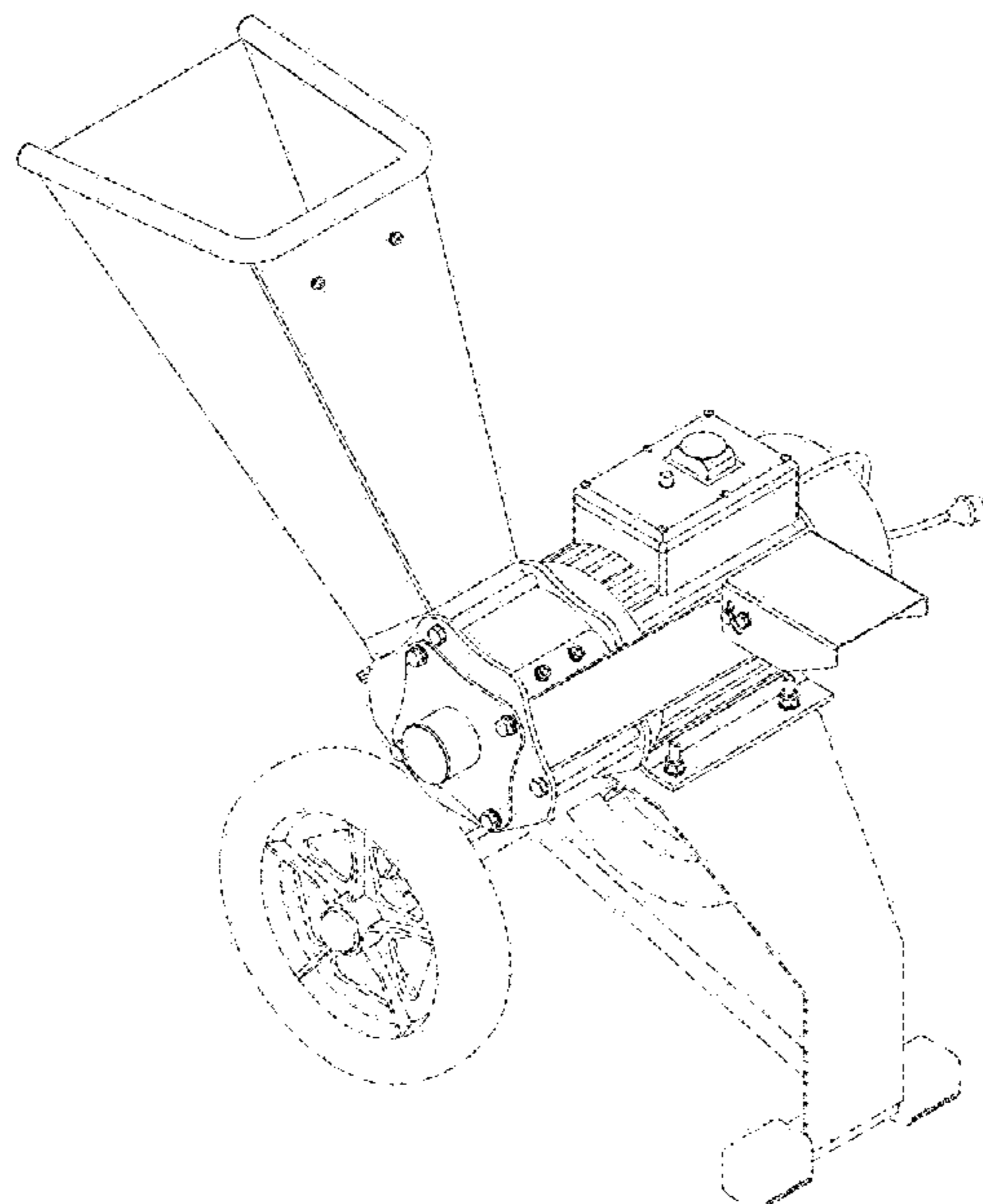
(57) **CLAIM**

The ornamental design for a wood chipper, as shown and described.

DESCRIPTION

FIG. 1 is a front view of a wood chipper;
FIG. 2 is a rear view of the wood chipper;
FIG. 3 is a left side view of the wood chipper;
FIG. 4 is a right side view of the wood chipper;
FIG. 5 is a top view of the wood chipper;
FIG. 6 is a bottom view of the wood chipper;
FIG. 7 is a front perspective view of the wood chipper from left top side;
FIG. 8 is a rear perspective view of the wood chipper from left top side;
FIG. 9 is a side perspective view of the wood chipper from left top side;
FIG. 10 is a front perspective view of the wood chipper from right top side; and,
FIG. 11 is a rear perspective view of the wood chipper from right top side.
The portions indicated by broken lines form no part of the claimed design.

1 Claim, 11 Drawing Sheets



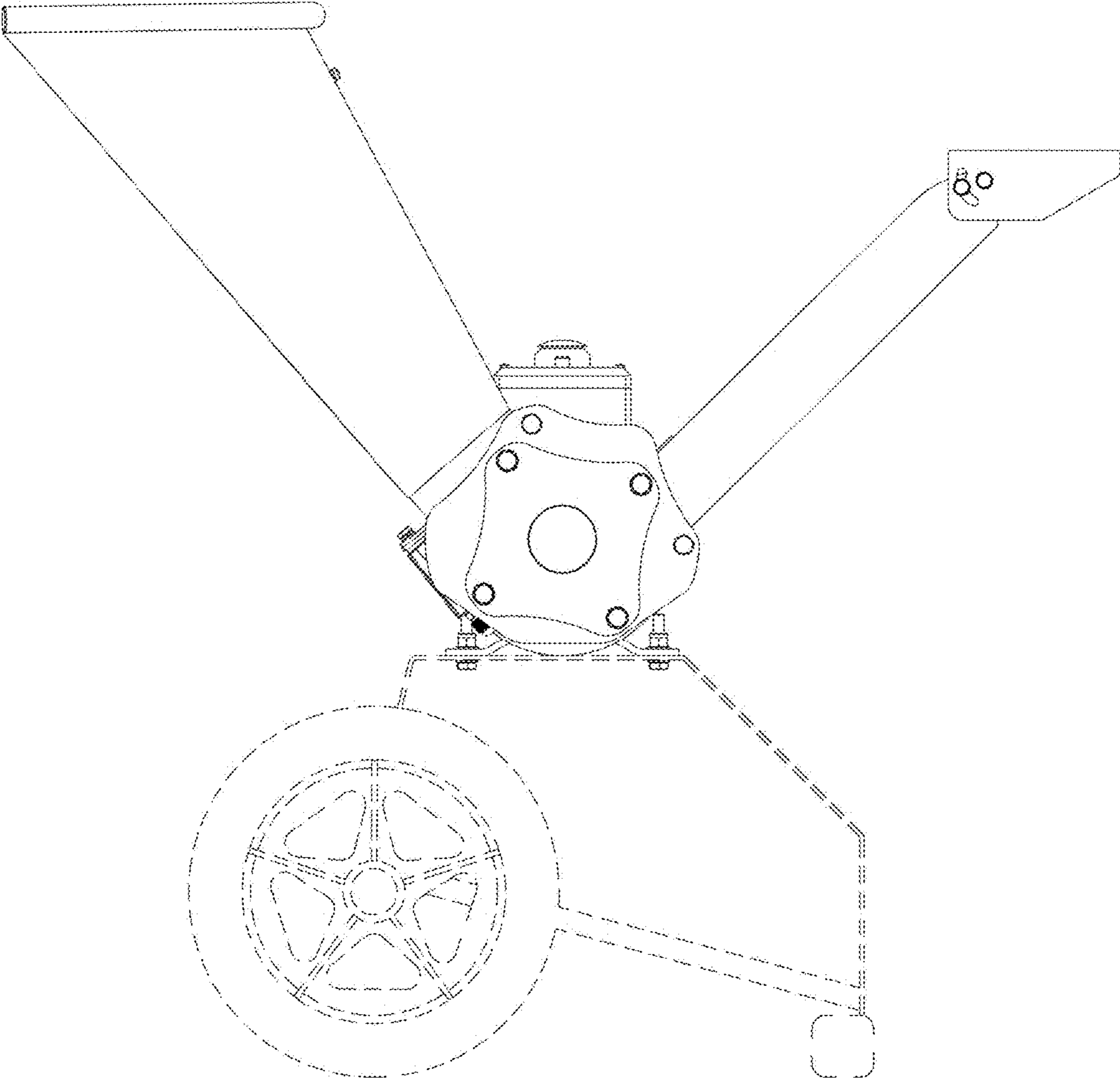


FIG. 1

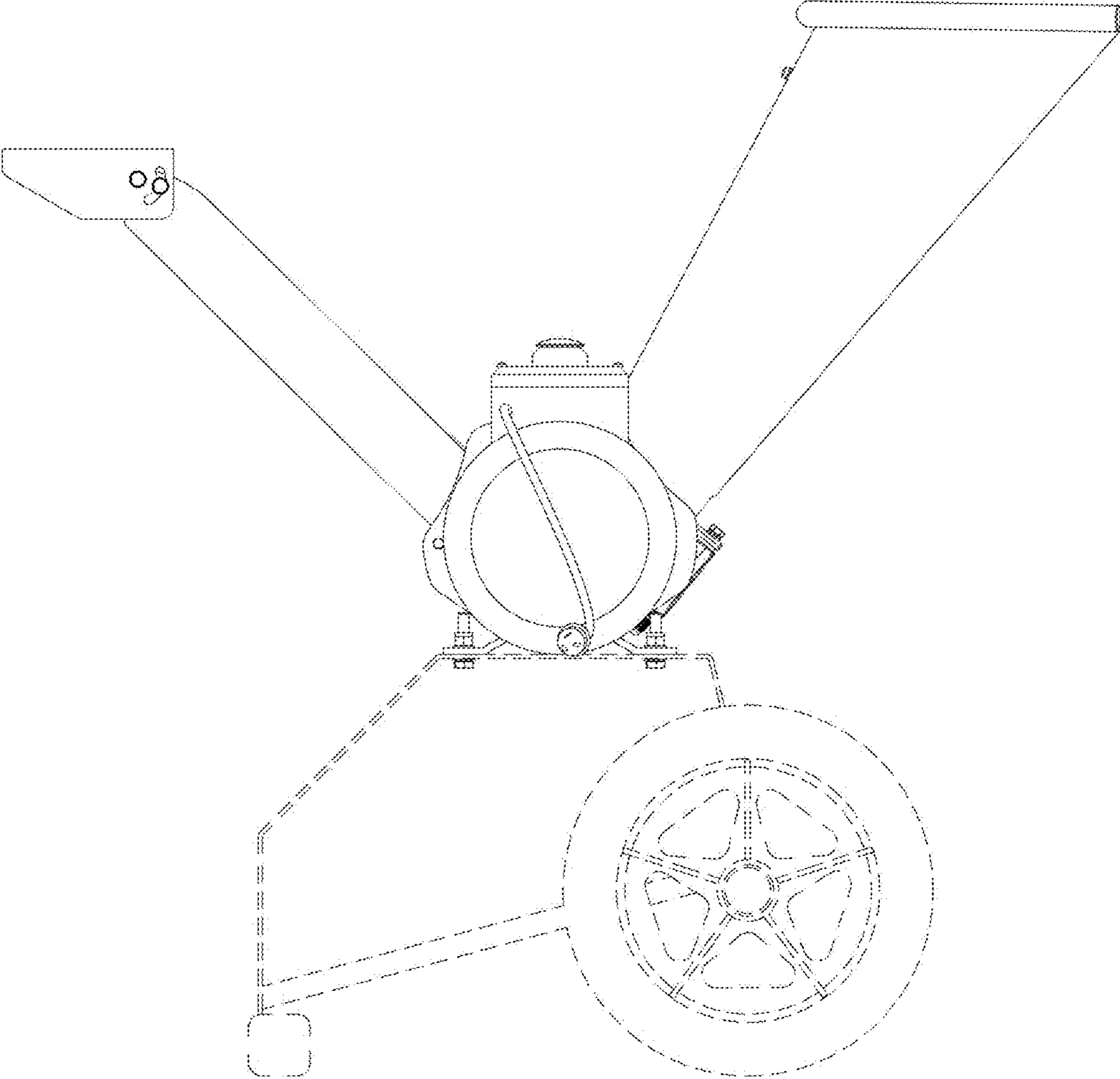


FIG. 2

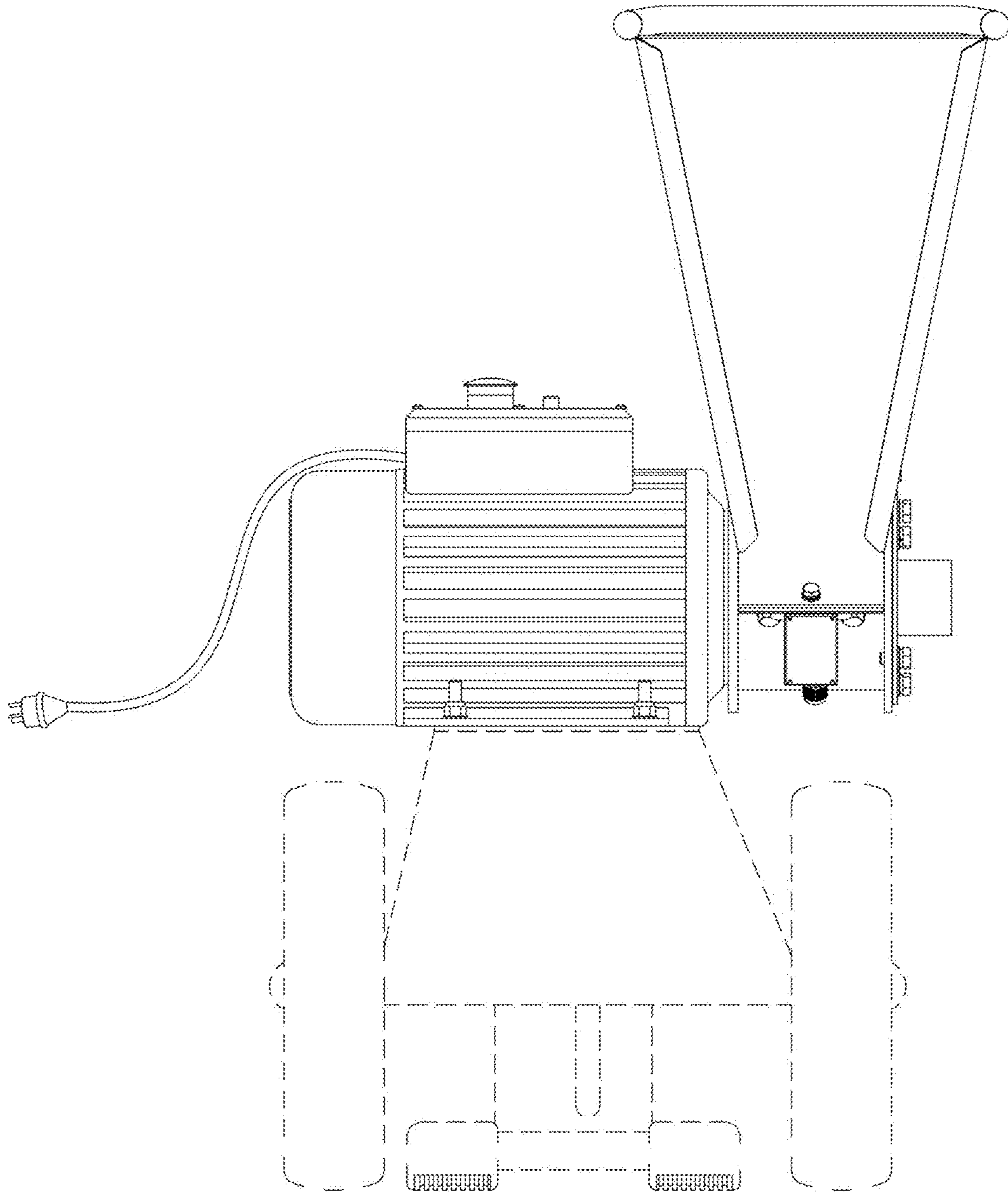


FIG. 3

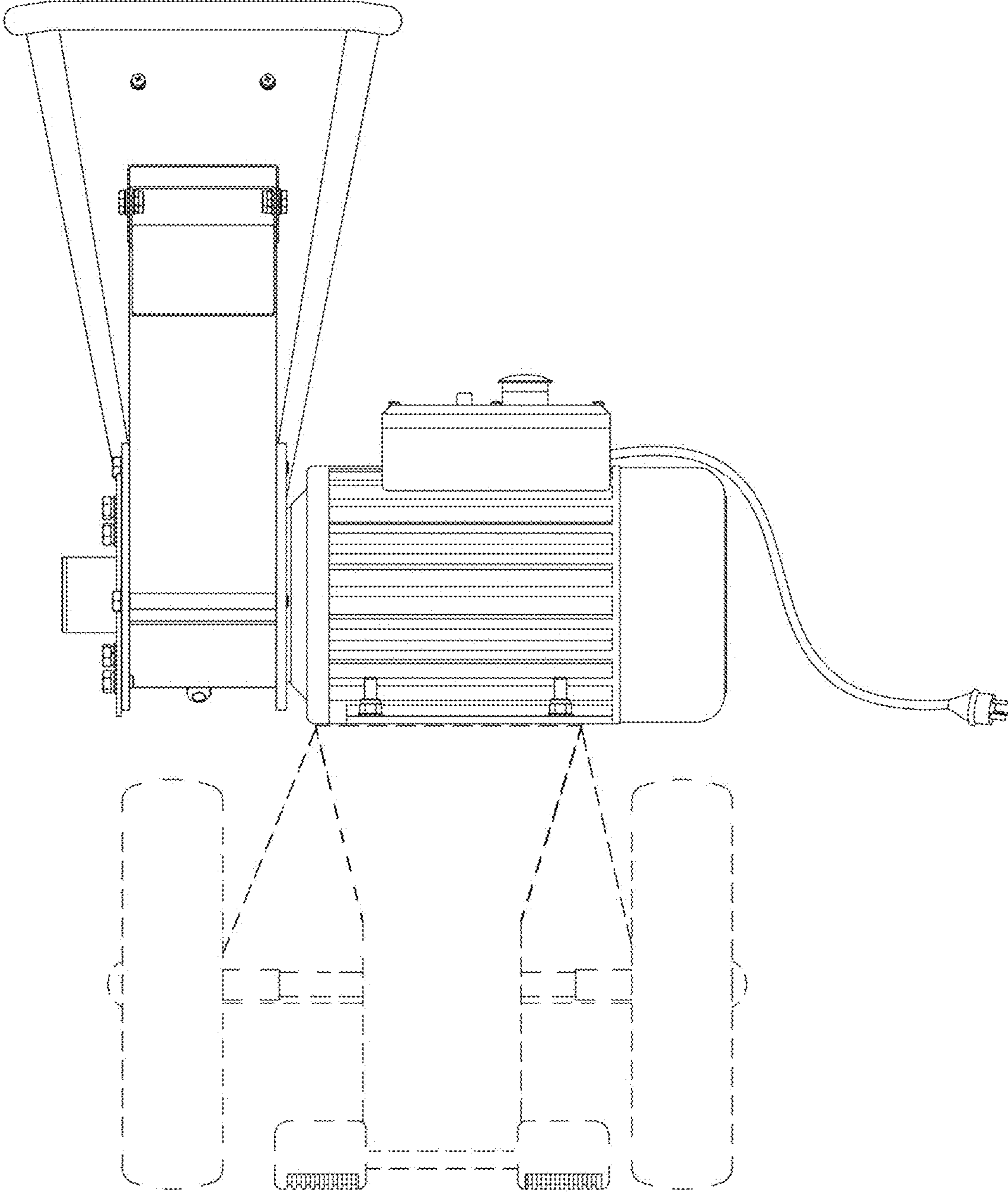


FIG. 4

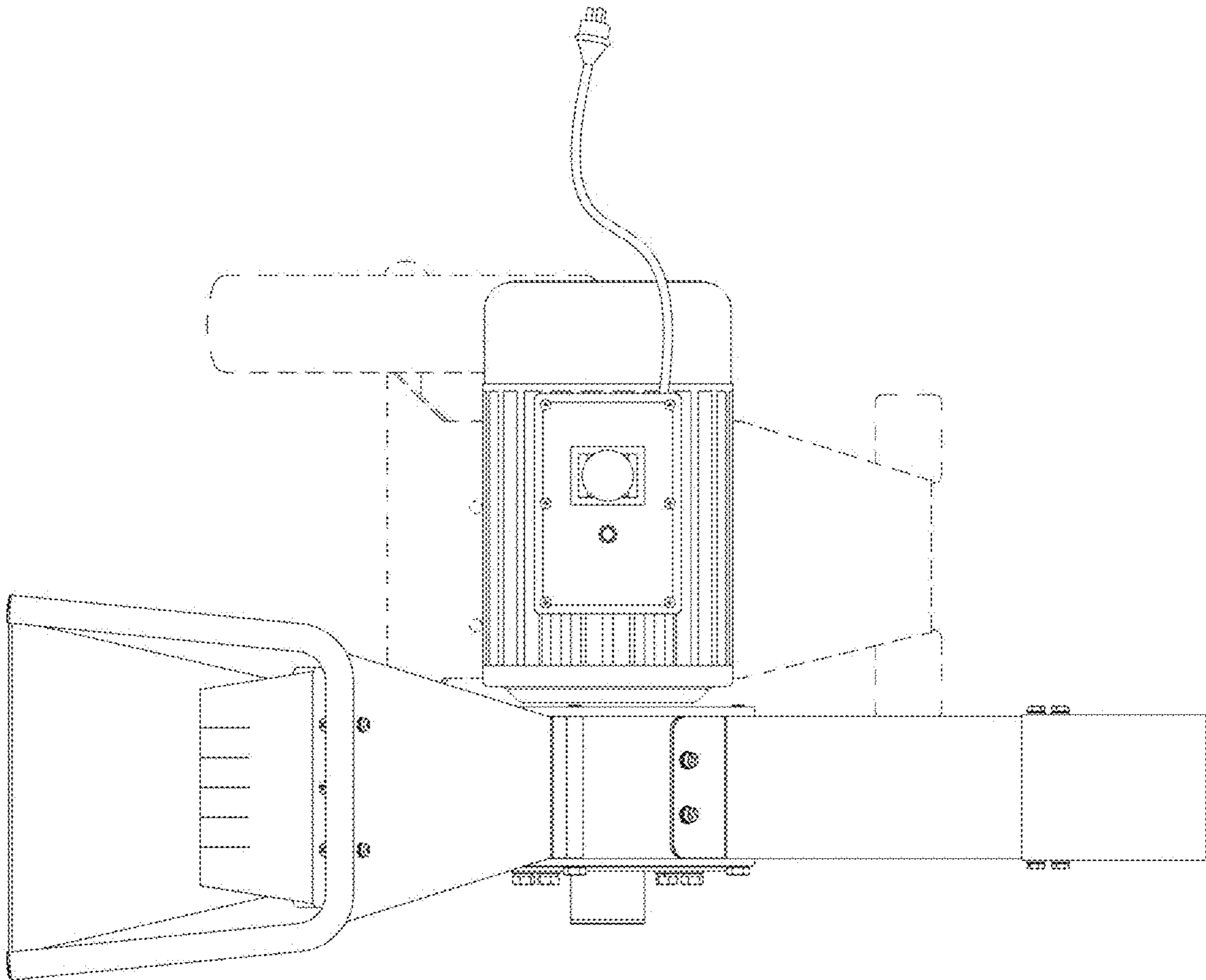


FIG. 5

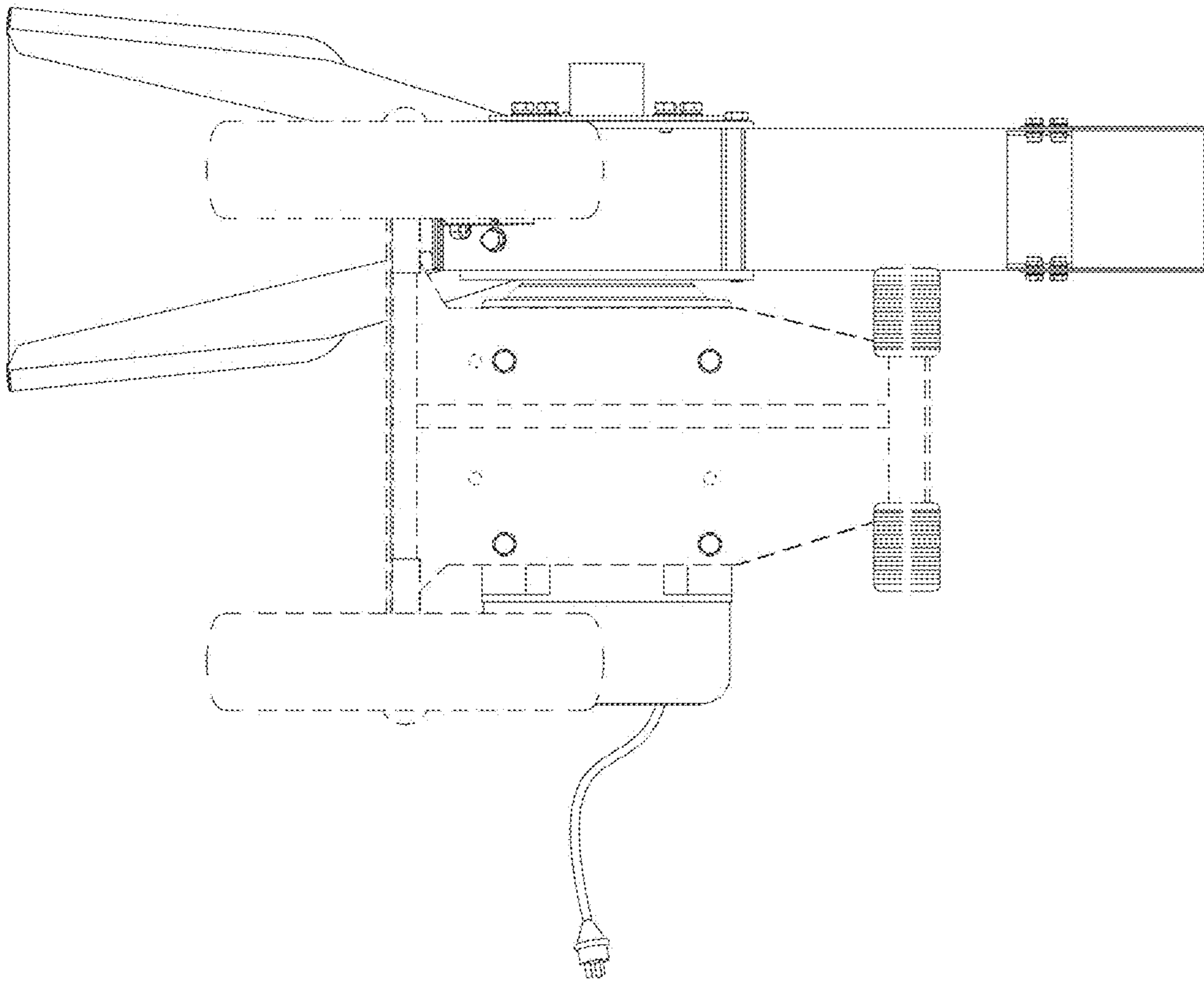


FIG. 6

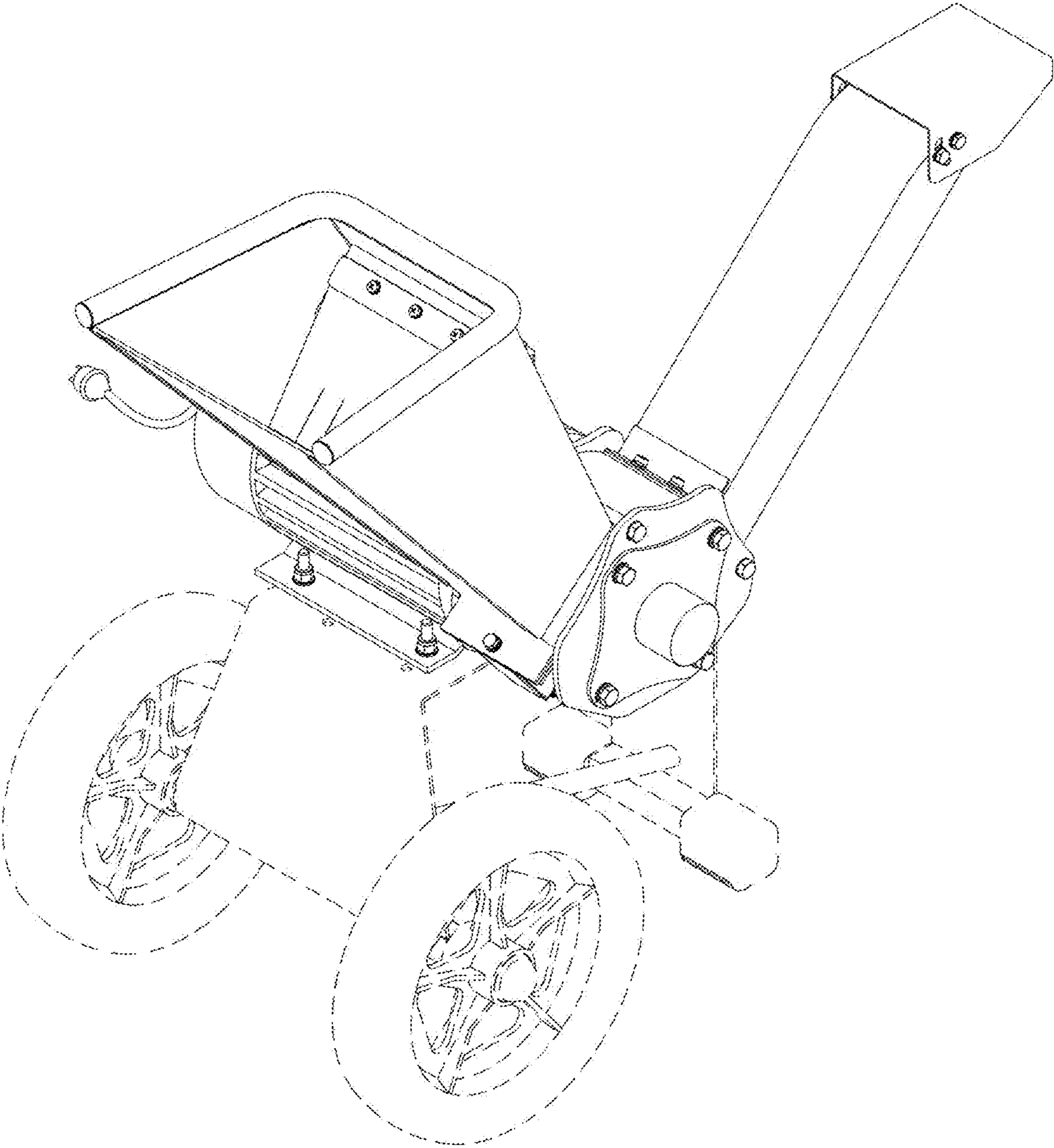


FIG. 7

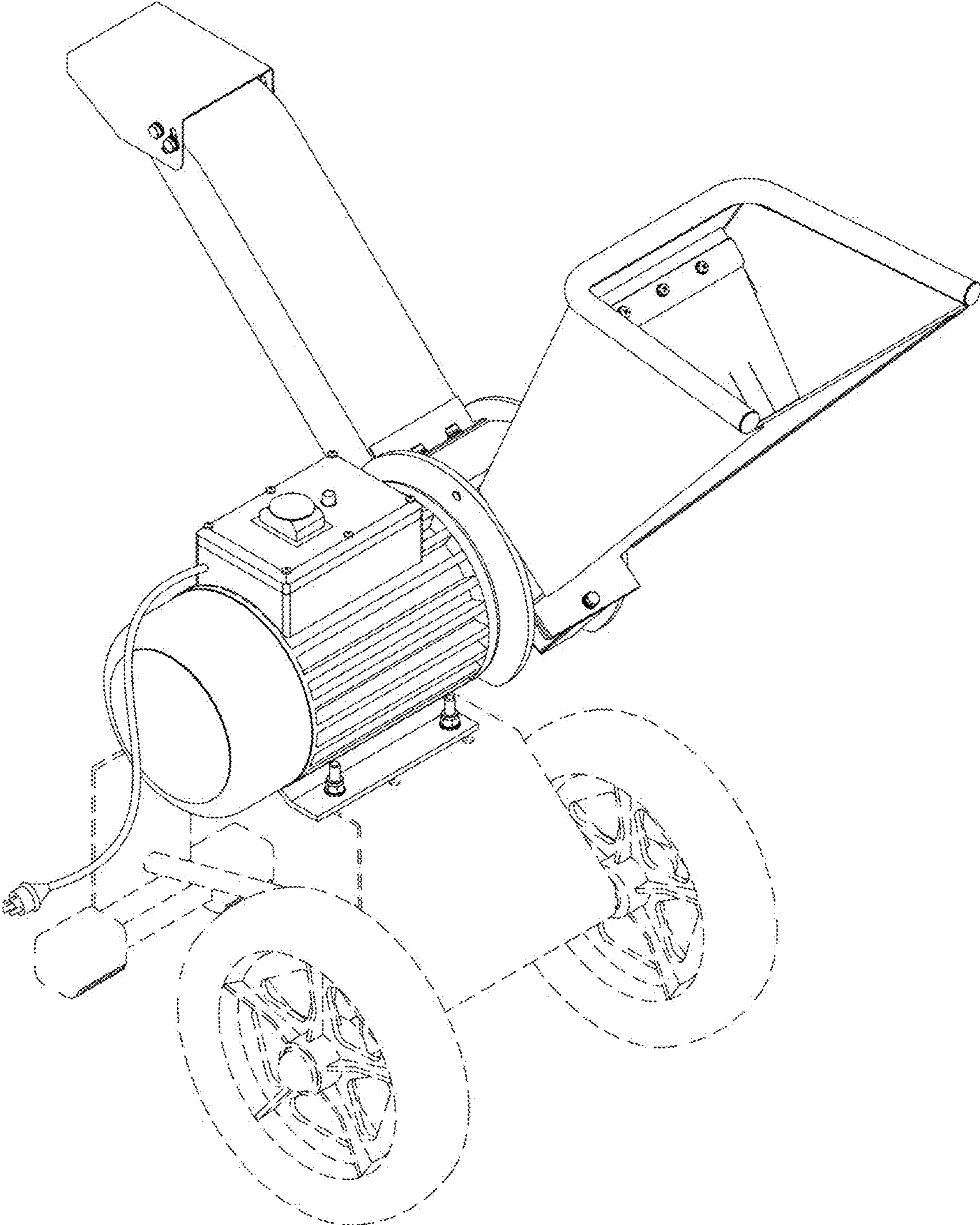


FIG. 8

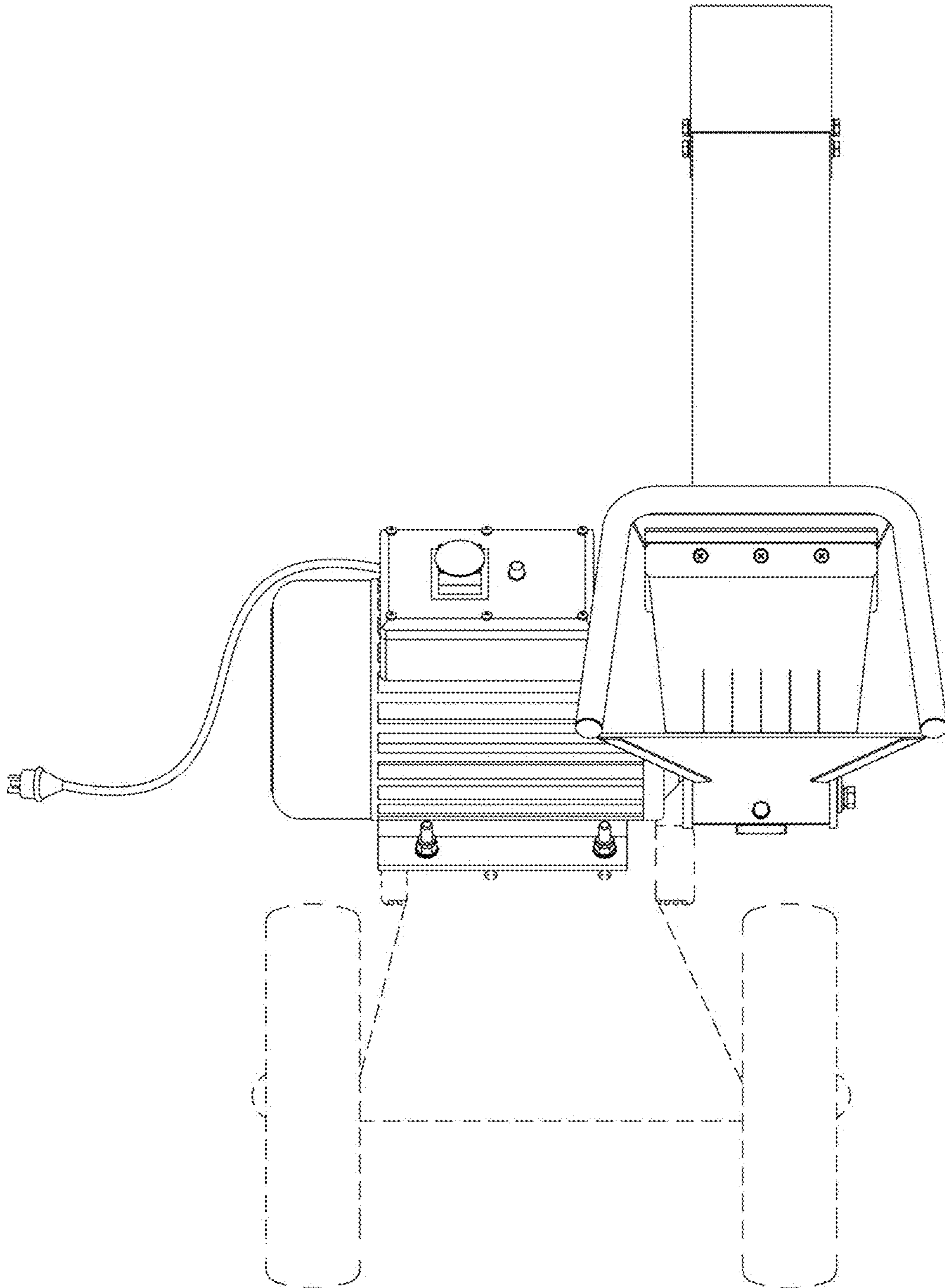


FIG. 9

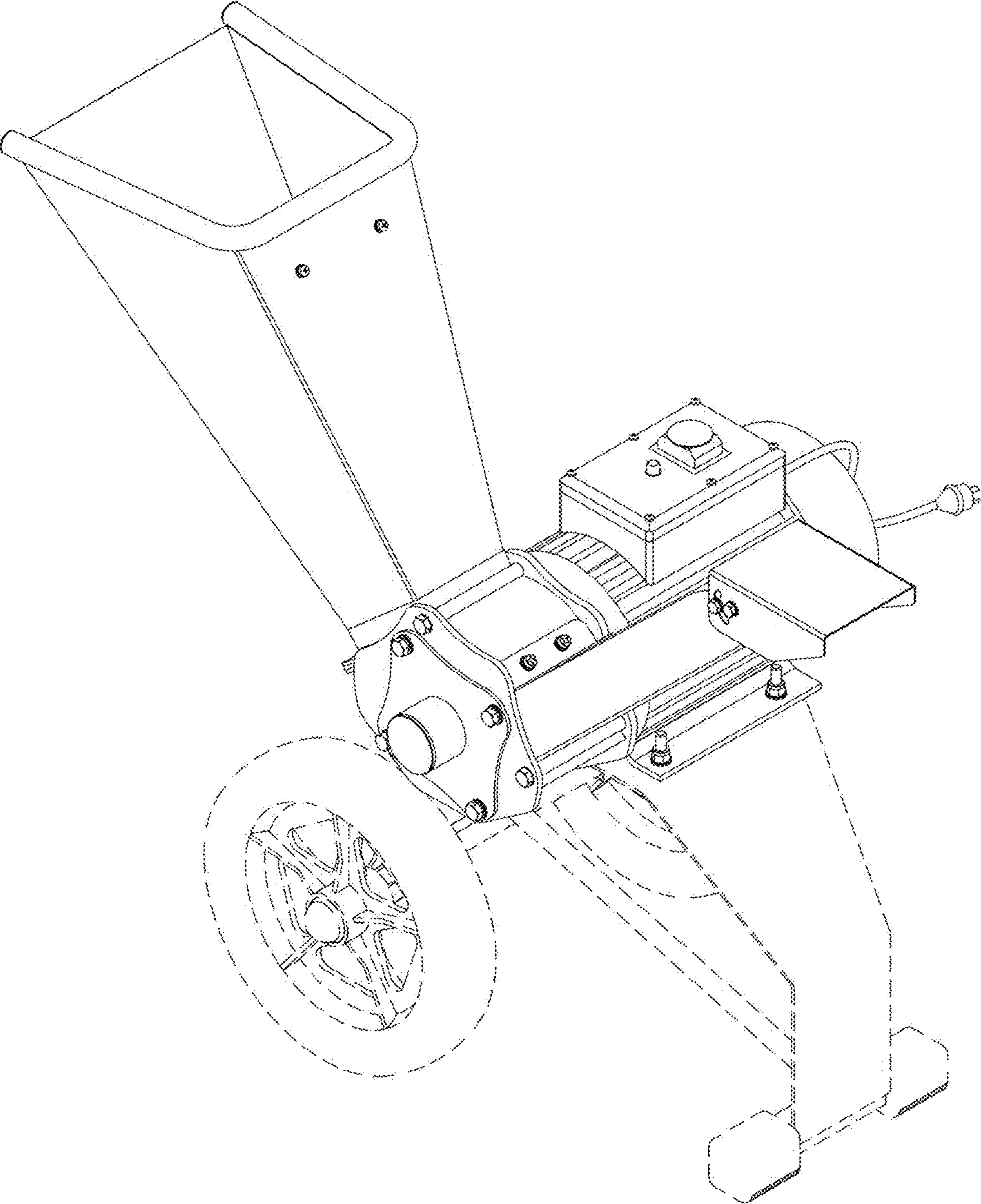


FIG. 10

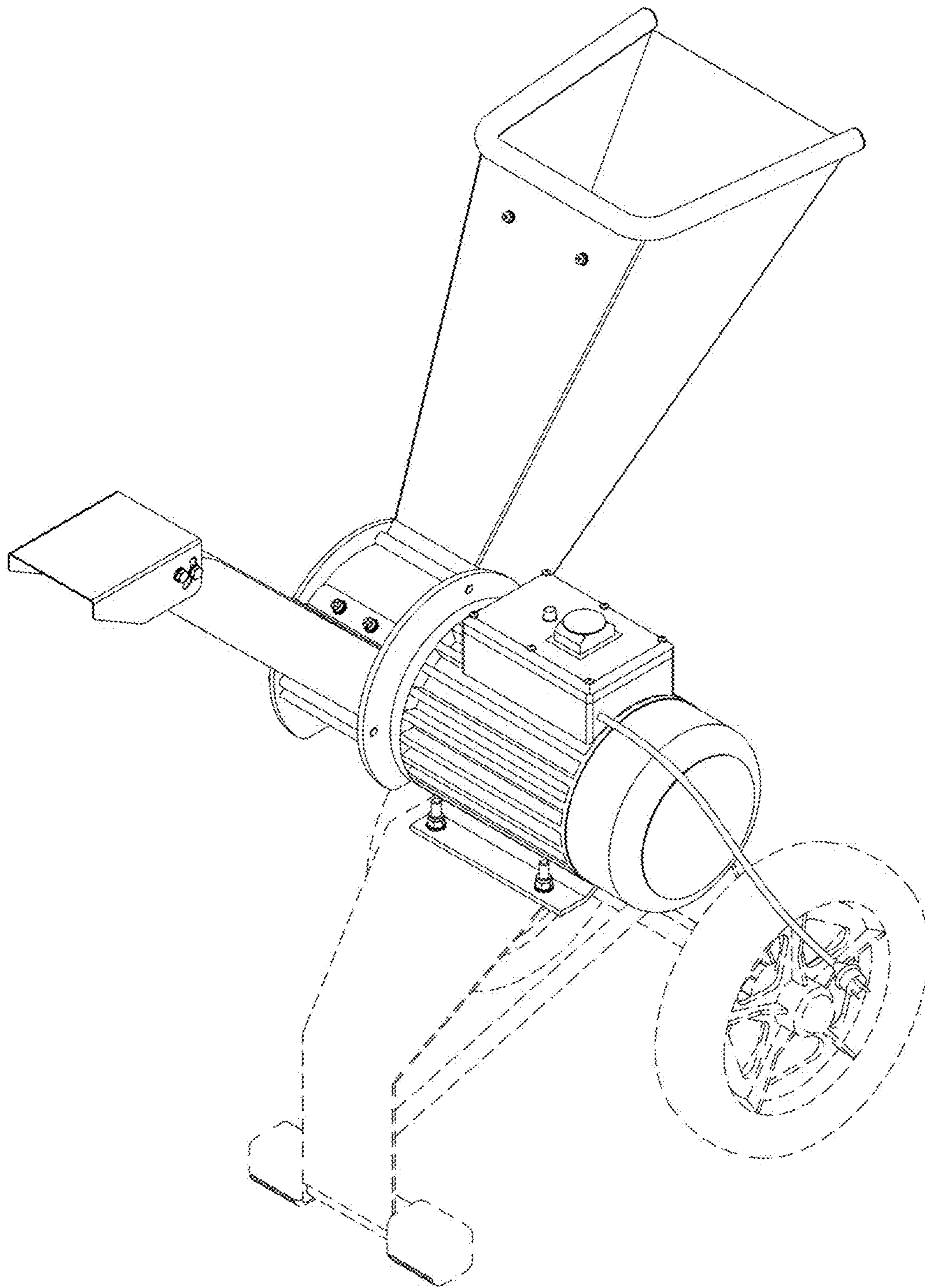


FIG. 11