



US00D953375S

(12) **United States Design Patent**
Waniek et al.

(10) **Patent No.: US D953,375 S**

(45) **Date of Patent: ** May 31, 2022**

(54) **PUMP**

(71) Applicant: **Gebr. Becker GmbH**, Wuppertal (DE)

(72) Inventors: **Henryk Waniek**, Solingen (DE); **Dirk Wallat-Thaler**, Gevelsberg (DE); **Frank Diedrichsen**, Wuppertal (DE); **Marcel Kuethe-Schleifenbaum**, Remscheid (DE)

(73) Assignee: **Gebr. Becker GmbH**, Wuppertal (DE)

(**) Term: **15 Years**

(21) Appl. No.: **29/713,341**

(22) Filed: **Nov. 15, 2019**

(30) **Foreign Application Priority Data**

May 23, 2019 (EP) 006504742

(51) **LOC (13) Cl.** **15-02**

(52) **U.S. Cl.**
USPC **D15/7**

(58) **Field of Classification Search**
USPC D15/7-9; D24/111; D13/103; D23/231, D23/232, 225
CPC F04B 35/04; F04B 41/02; F04B 41/00; F04B 35/06; F04B 39/12; F04B 23/00; F04B 23/02; F04B 53/92; F04B 1/005; F04B 39/14; F04B 39/121; F02M 37/04; F02M 37/14; F04C 23/001; F04C 21/007; F04C 18/0207; F04C 29/12; F04C 29/04
See application file for complete search history.

(56) **References Cited**

U.S. PATENT DOCUMENTS

D466,521 S * 12/2002 Kumar D15/7
D573,609 S * 7/2008 Bilger D15/7
D613,635 S * 4/2010 Chu D15/9
D613,767 S * 4/2010 Latsos D15/7

D617,814 S * 6/2010 Dreifert D15/7
D636,791 S * 4/2011 McAlpine D15/7
D652,844 S * 1/2012 Hanitsch D15/7
D765,147 S * 8/2016 Schaller D15/7
D777,213 S * 1/2017 Ohser D15/9

(Continued)

OTHER PUBLICATIONS

Becker, VARIAIR BCV 300 Claw Vacuum Pumps Data Sheet, (printed Jul. 7, 2020), Becker International, URL:<https://main.becker-international.com/zfiles/allgemein/1603288999_ds_Becker_VARIAIR_BCV_300_Vacuum_pumps_us.pdf> (Year: 2020).*

Primary Examiner — Calvin E Vasant

Assistant Examiner — Mark T. Philipps

(74) *Attorney, Agent, or Firm* — Collard & Roe, P.C.

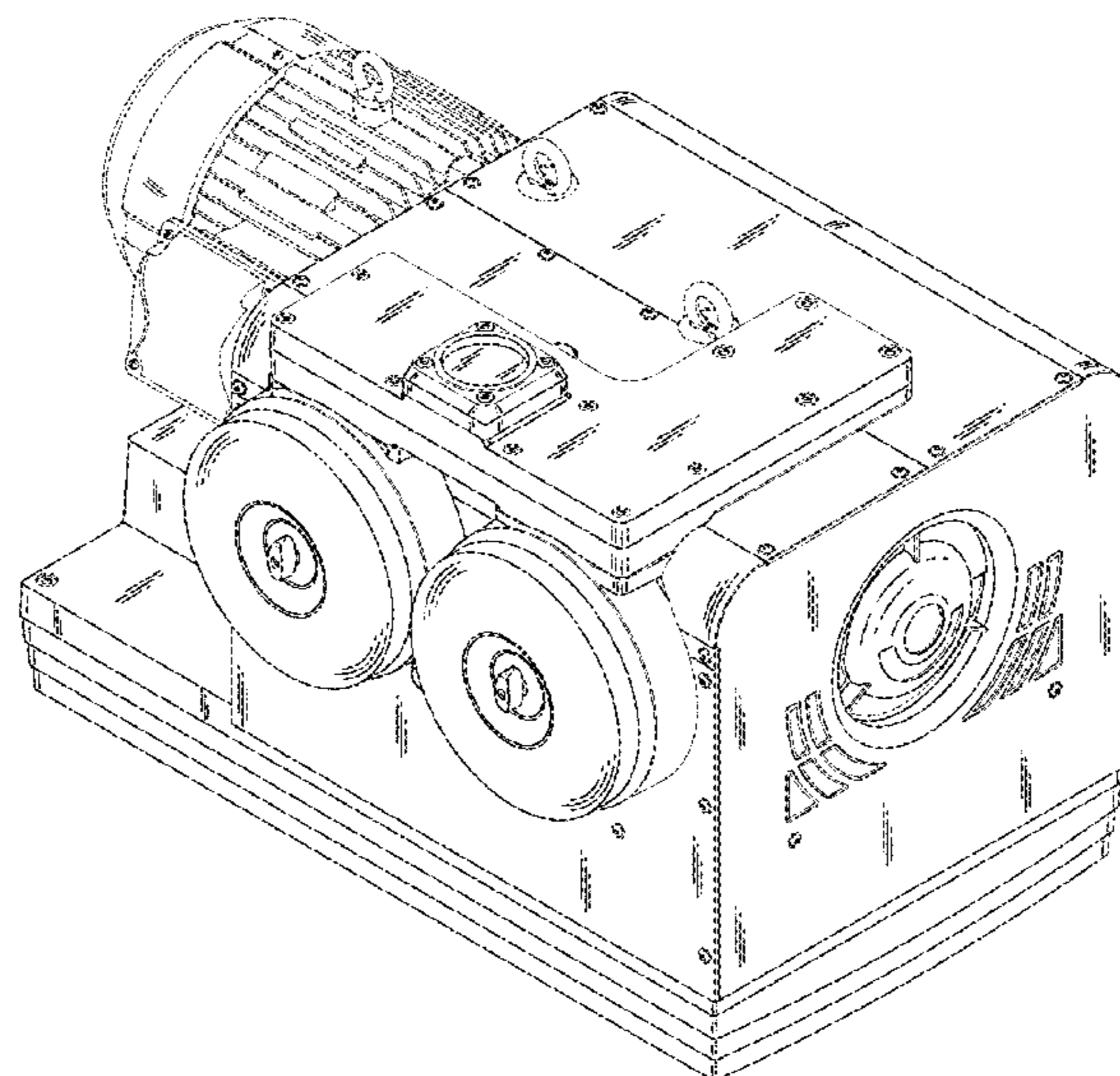
(57) **CLAIM**

The ornamental design for a pump, as shown and described.

DESCRIPTION

FIG. 1 is a top, front and left side perspective view of a pump, showing our new design;
FIG. 2 is a front view thereof;
FIG. 3 is an enlarged view of the features visible in the area noted by circle 3 on FIG. 2, shown from a bottom, front and left perspective view;
FIG. 4 is a left side view thereof;
FIG. 5 is a rear view thereof;
FIG. 6 is a right side view thereof;
FIG. 7 is an enlarged view of the features visible in the area noted by circle 7 on FIG. 6, shown from a top, rear and left perspective view;
FIG. 8 is a top view thereof; and,
FIG. 9 is a bottom view thereof.
The long dash, short dash lines in the drawings define the bounds of the claimed design and form no part thereof. The dash-dash broken lines in the drawings depict portions of the pump that form no part of the claimed design.

1 Claim, 7 Drawing Sheets



(56)

References Cited

U.S. PATENT DOCUMENTS

D807,925 S * 1/2018 De Keyser D15/9
D822,718 S * 7/2018 Hartung D15/7
D902,258 S * 11/2020 Lorenzowski D15/7
2017/0051733 A1* 2/2017 Mistry F04B 17/05

* cited by examiner

Fig. 1

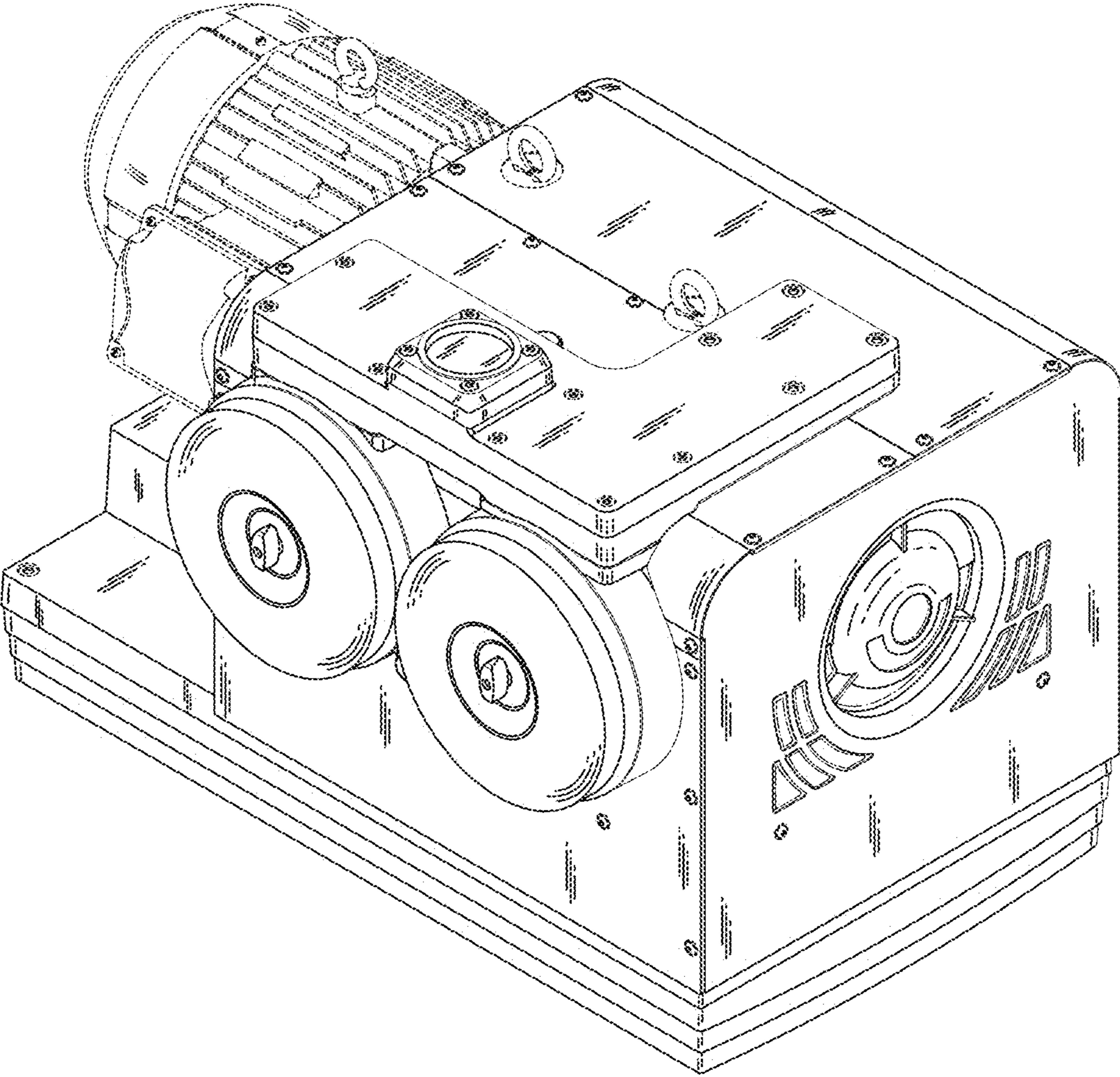


Fig. 2

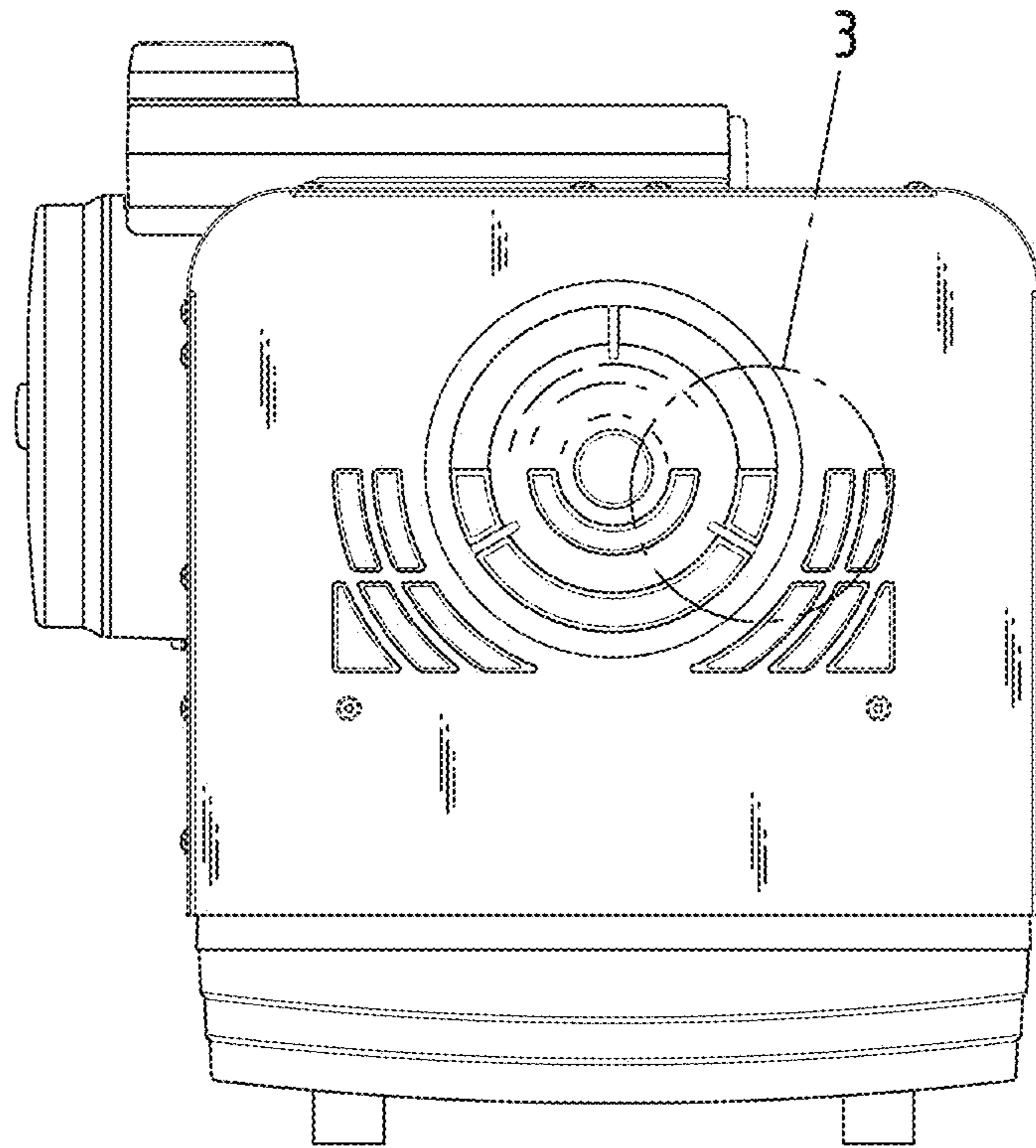


Fig. 3

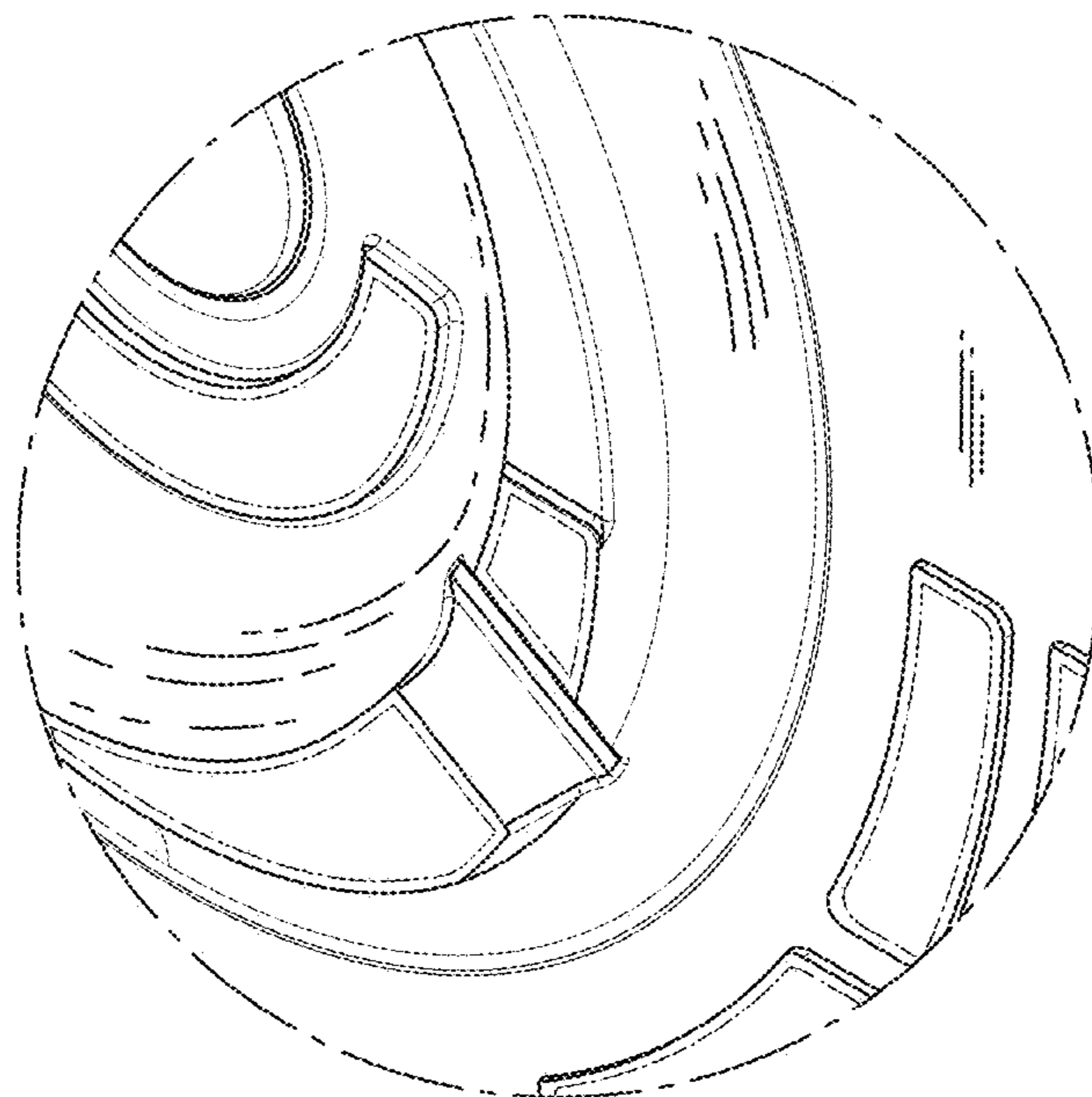


Fig. 4

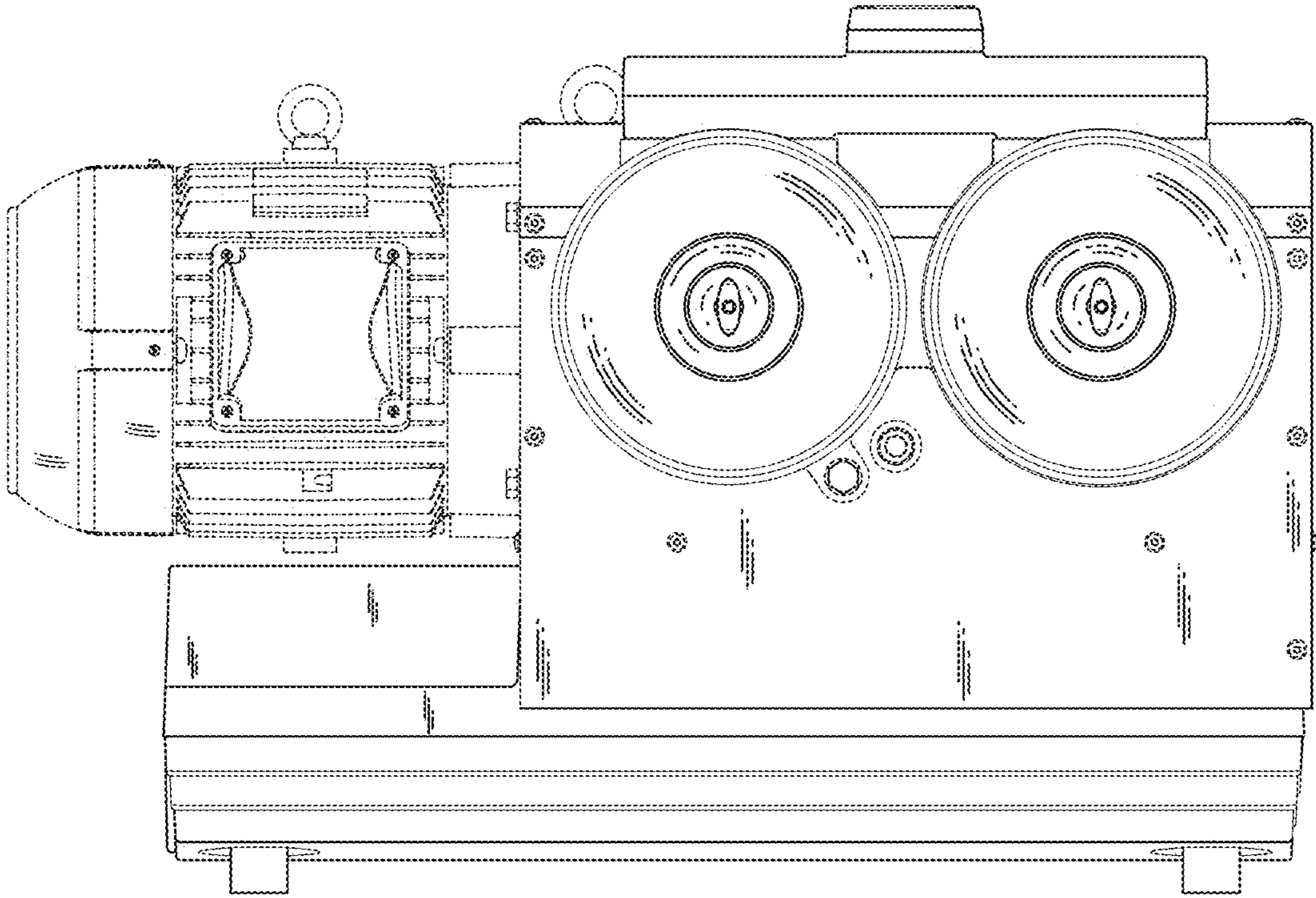


Fig. 5

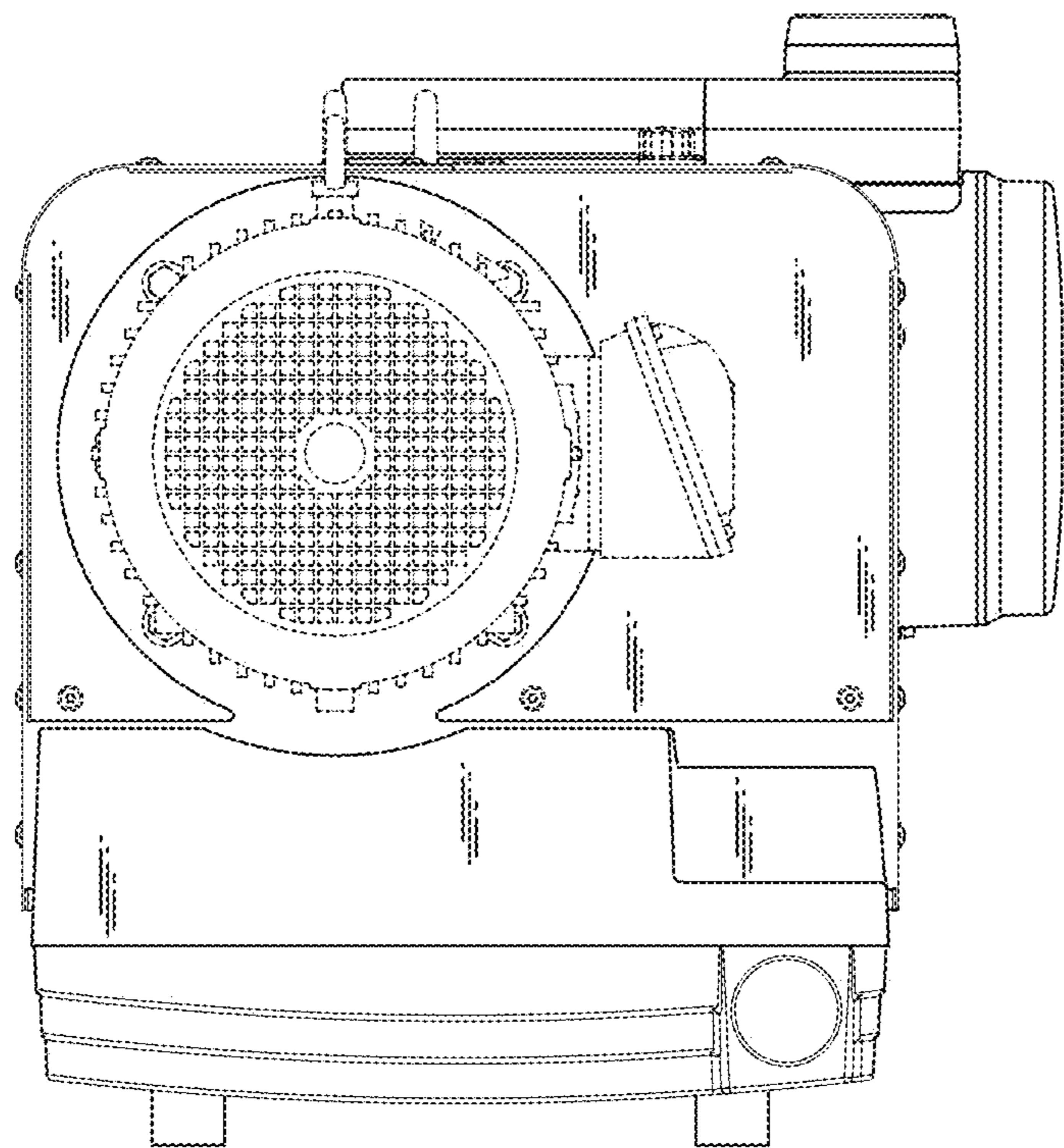


Fig. 6

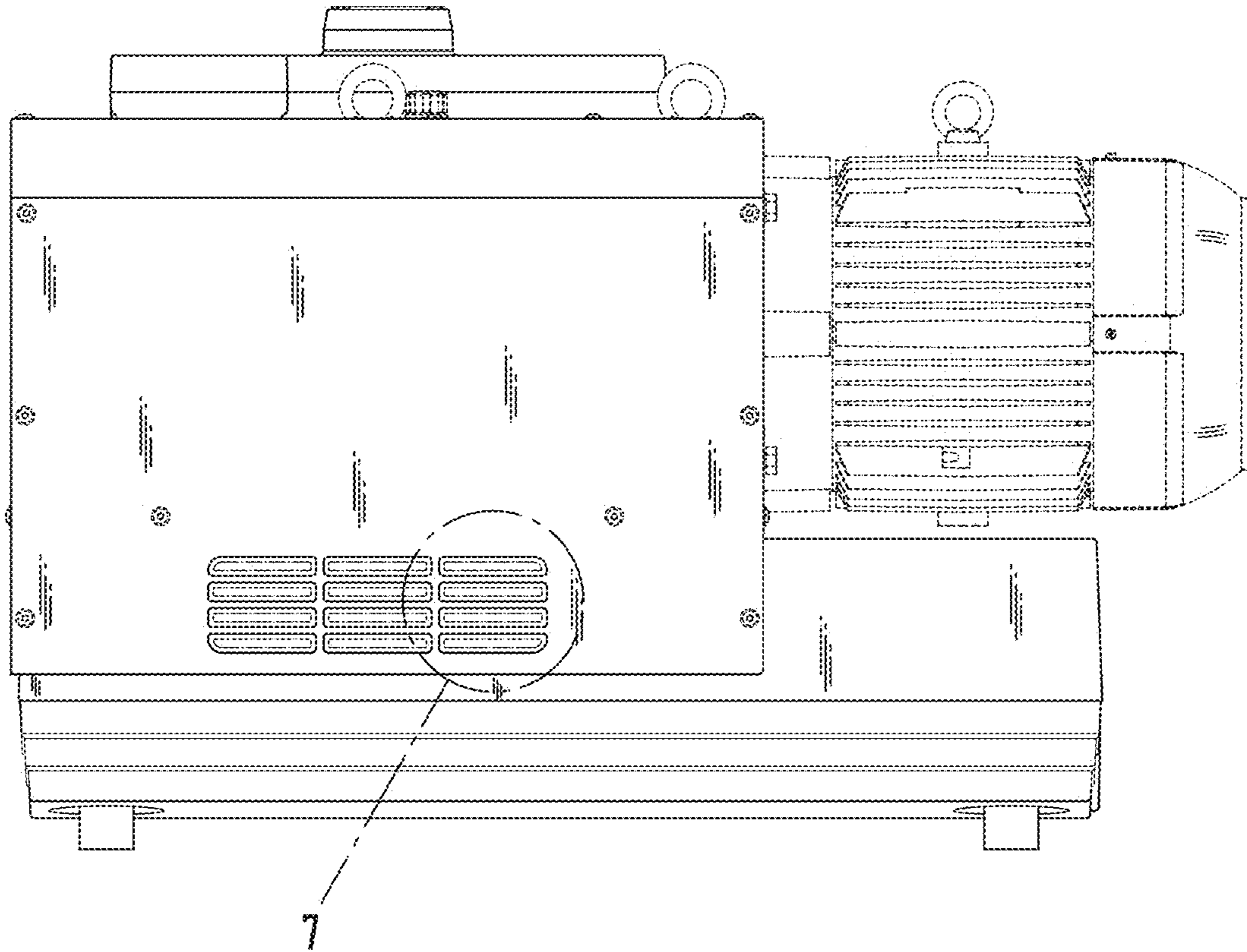


Fig. 7

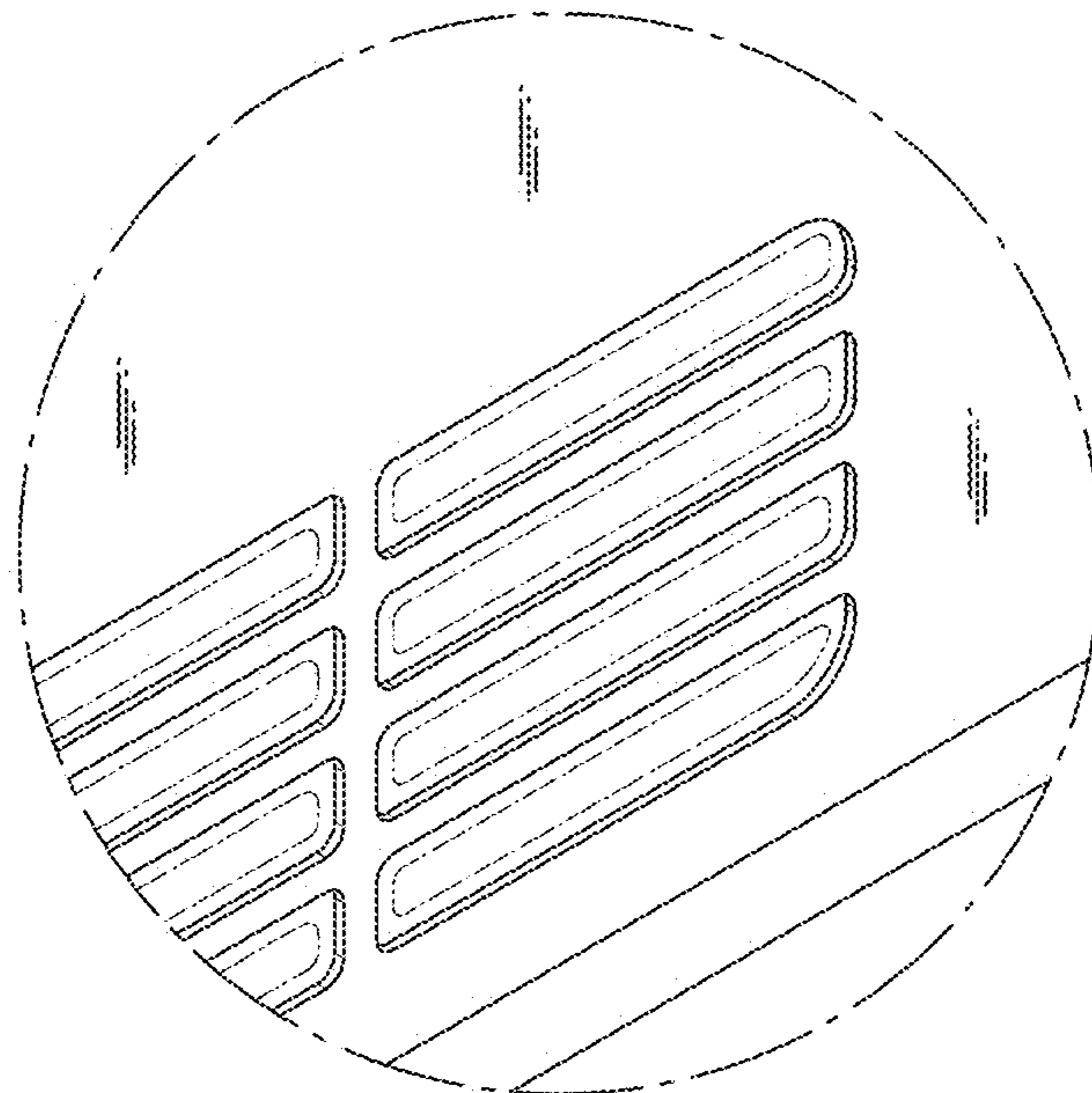


Fig. 8

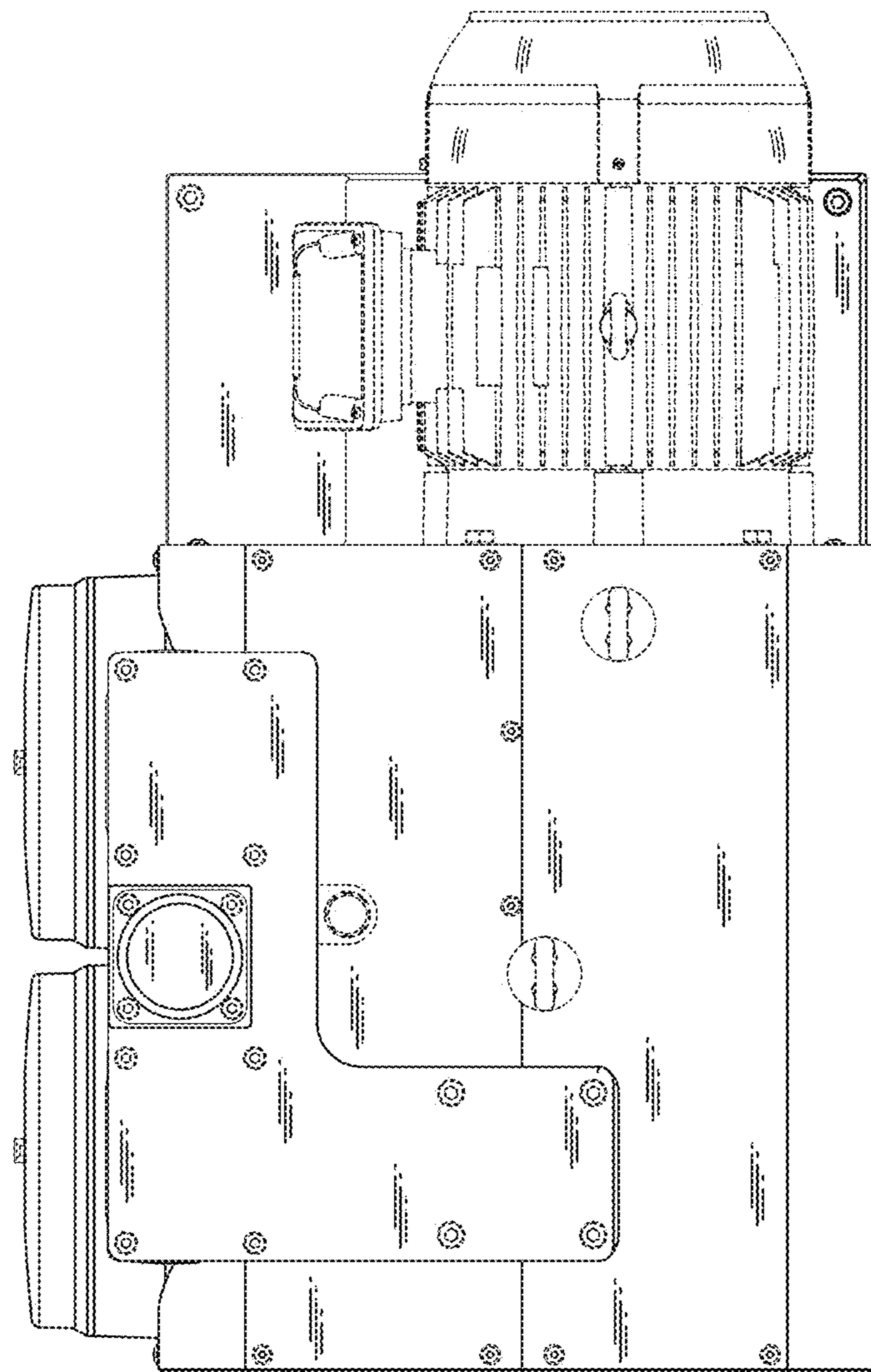


Fig. 9

