



US00D953368S

(12) **United States Design Patent**
Lynch et al.

(10) **Patent No.: US D953,368 S**

(45) **Date of Patent: ** May 31, 2022**

(54) **DISPLAY PANEL PORTION WITH AN ANIMATED COMPUTER ICON**

(71) Applicant: **Sanofi**, Paris (FR)

(72) Inventors: **Timothy Lynch**, Reading, MA (US);
Lillian Krieger, Boston, MA (US)

(73) Assignee: **Sanofi**, Paris (FR)

(**) Term: **15 Years**

(21) Appl. No.: **29/744,691**

(22) Filed: **Jul. 30, 2020**

(51) **LOC (13) Cl.** **14-04**

(52) **U.S. Cl.**
USPC **D14/488**

(58) **Field of Classification Search**
USPC D14/485–95
CPC G06F 3/48; G06F 3/0481; G06F 3/04812;
G06F 3/04815; G06F 3/04817; G06F
3/0482; G06F 3/0483; G06F 3/0484;
G06F 3/04842; G06F 3/04845; G06F
3/04847; G06F 3/0485; G06F 3/0486;
G06F 3/0487; G06F 3/0488; G06F
3/04883; G06F 3/04886

See application file for complete search history.

(56) **References Cited**

U.S. PATENT DOCUMENTS

D390,839 S *	2/1998	Yamamoto	D14/494
D395,878 S *	7/1998	Copeland	D14/495
D399,837 S *	10/1998	Garguilo	D14/486
D422,991 S *	4/2000	Regan, Jr.	D14/493
D473,240 S *	4/2003	Cockerill	D14/489
D549,724 S *	8/2007	Niijima	D14/491
D549,725 S *	8/2007	Niijima	D14/491
D561,780 S *	2/2008	Rimas-Ribikauskas	D14/495
D659,711 S *	5/2012	Guss	D14/495
D672,365 S *	12/2012	Chang	D14/486

8,366,680 B2 *	2/2013	Raab	A61M 5/31585 604/211
8,376,987 B2 *	2/2013	Kuhn	A61M 5/284 604/82
8,460,245 B2 *	6/2013	Guillermo	A61M 5/2033 604/135

(Continued)

OTHER PUBLICATIONS

Autoinjector development, https://www.manufacturingchemist.com/news/article_page/Autoinjector_development/76465 (Year: 2012).*

(Continued)

Primary Examiner — Melanie H Tung

Assistant Examiner — Darmawan Truong

(74) *Attorney, Agent, or Firm* — Fish & Richardson P.C.

(57) **CLAIM**

The ornamental design for a display panel portion with an animated computer icon, substantially as shown and described.

DESCRIPTION

FIG. 1 is a first image in a sequence for the display panel portion with an animated computer icon.

FIG. 2 is second image in the sequence thereof.

FIG. 3 is a third image in the sequence thereof.

FIG. 4 is a fourth image in the sequence thereof.

FIG. 5 is a fifth image in the sequence thereof.

FIG. 6 is a sixth image in the sequence thereof.

FIG. 7 is a seventh image in the sequence thereof.

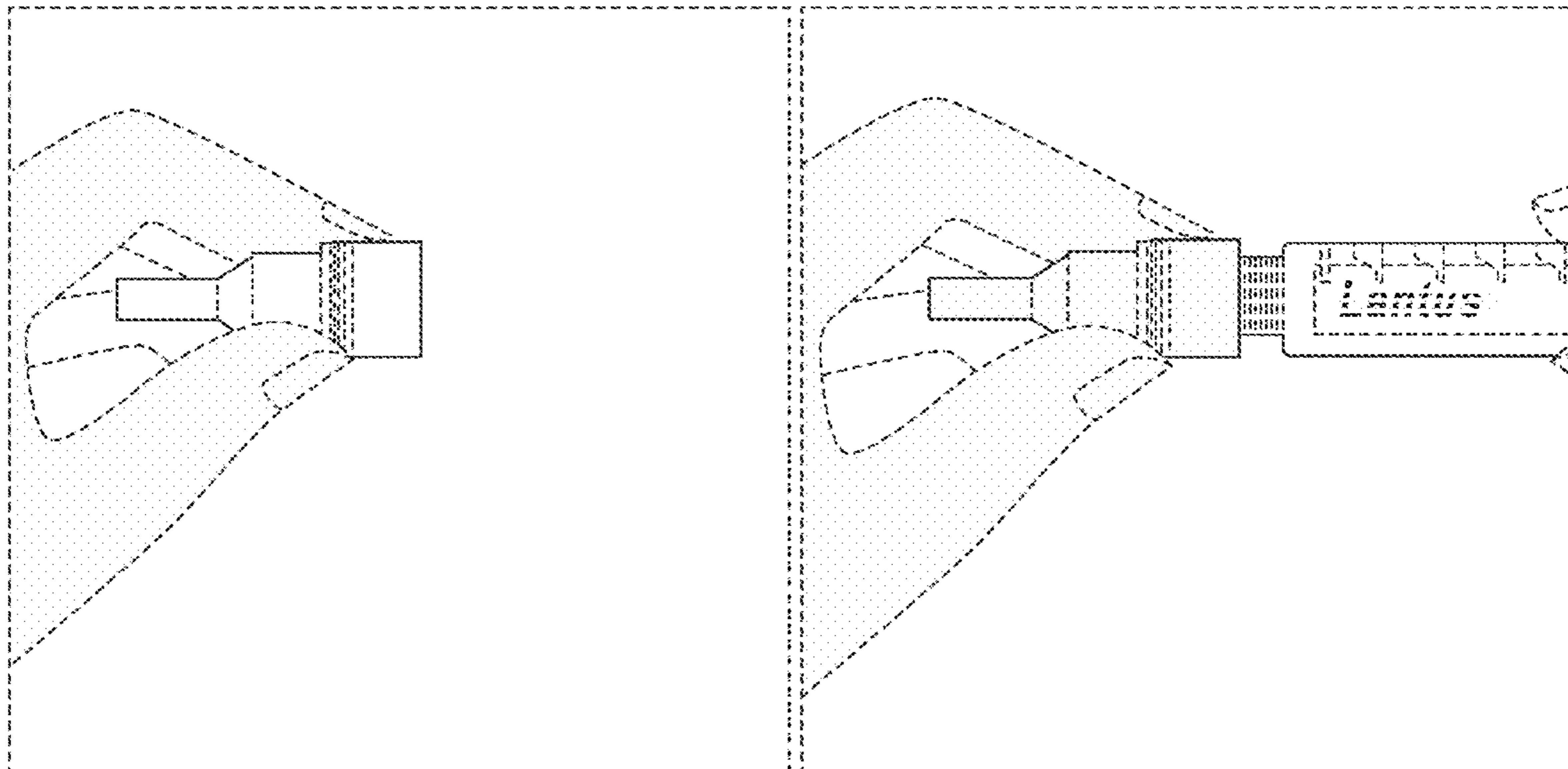
FIG. 8 is an eighth image in the sequence thereof; and,

FIG. 9 is a ninth image in the sequence thereof.

The process or period in which one image transitions to another forms no part of the claimed design.

The broken lines showing a display panel portion and portions of the animated computer icon in FIGS. 1-9 form no part of the claimed design.

1 Claim, 9 Drawing Sheets



(56)

References Cited

U.S. PATENT DOCUMENTS

8,512,297 B2 * 8/2013 Veasey A61M 5/3157
604/209
D723,061 S * 2/2015 Qin D14/495
D727,967 S * 4/2015 Kim D14/495
D753,669 S * 4/2016 Chen D14/485
D772,257 S * 11/2016 Furutani D14/486
D794,652 S * 8/2017 Wei D14/485
D815,120 S * 4/2018 Watanabe D14/485
D844,051 S * 3/2019 Dela Cruz D18/43
D864,251 S * 10/2019 Wilkerson D14/495
D890,788 S * 7/2020 Biberger D14/486
D902,244 S * 11/2020 Kim D14/488
2013/0338603 A1 * 12/2013 Roedle A61J 1/1412
604/199
2016/0120009 A1 * 4/2016 Aliakseyeu G08C 17/02
315/131

OTHER PUBLICATIONS

Autoinjectors Market Overview—IssueWire, <https://www.issuewire.com/autoinjectors-market-overview-strategy-types-growth-therapy-analysis-and-forecast-by-2030-1636670126174508> (Year: 2019).*

SANOFI-SOLIQUA Diabetes Insulin Pen, https://www.youtube.com/watch?v=_wTe4zNKbNY (Year: 2020).*

* cited by examiner

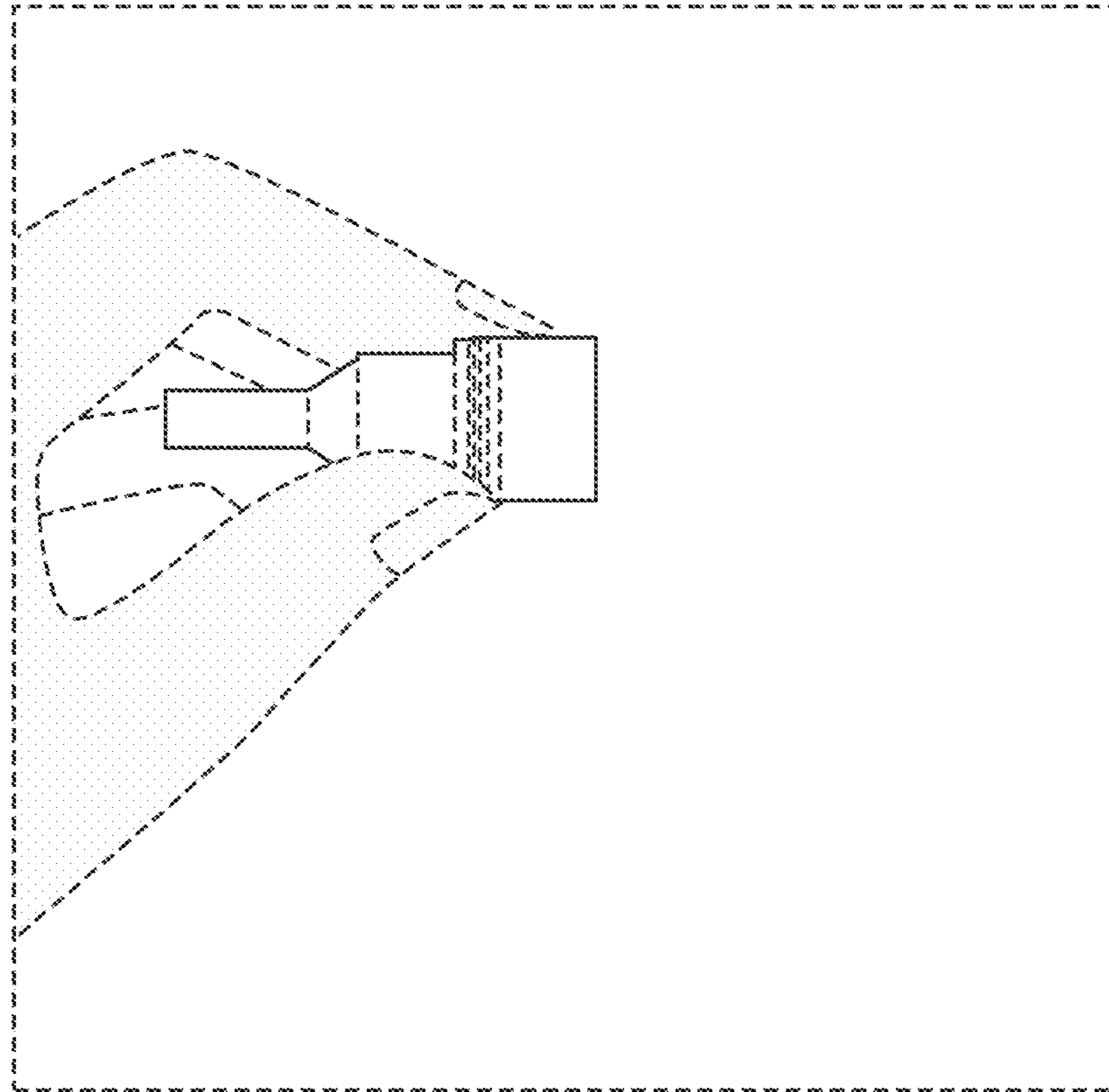


FIG. 1

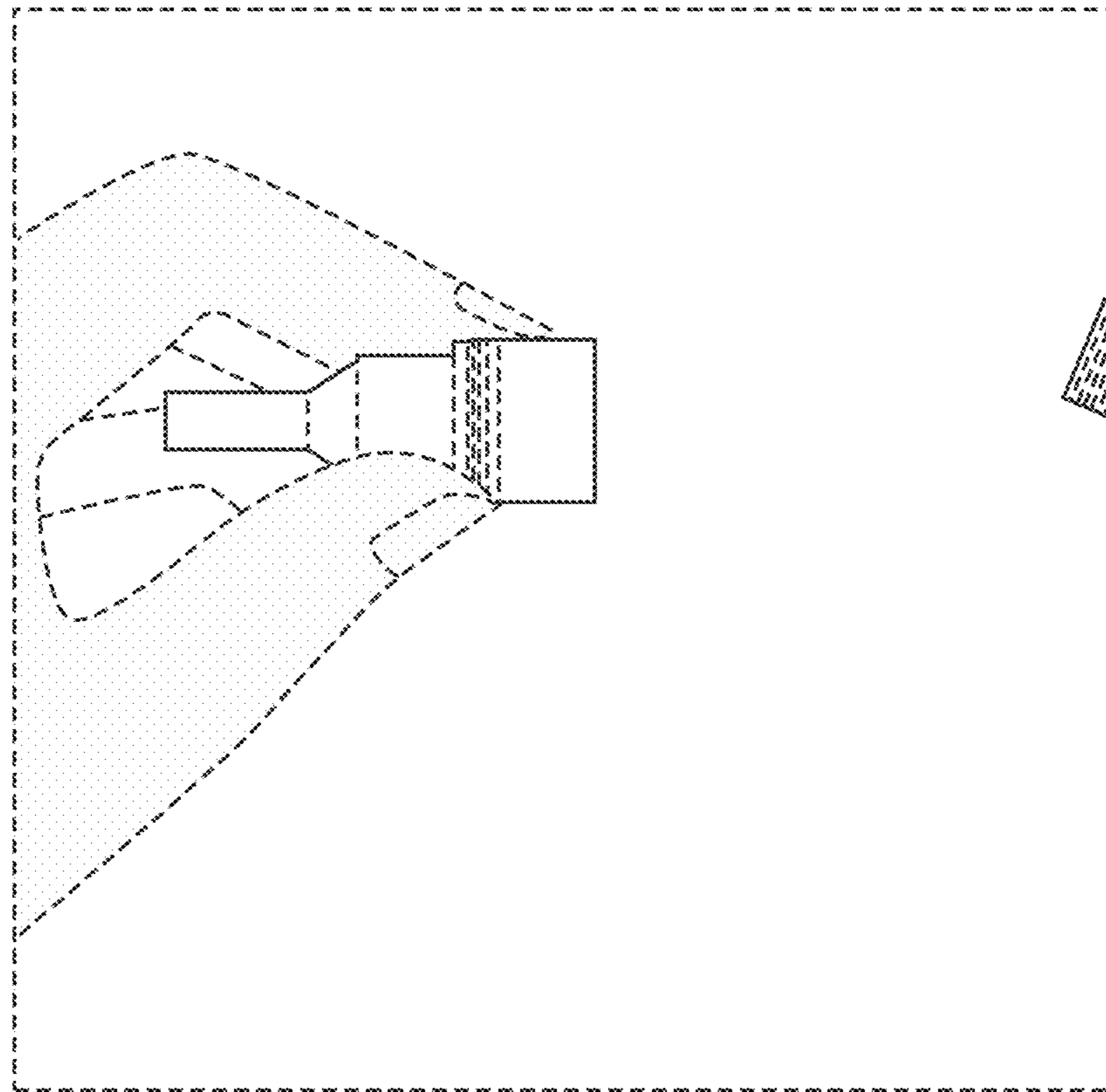


FIG. 2

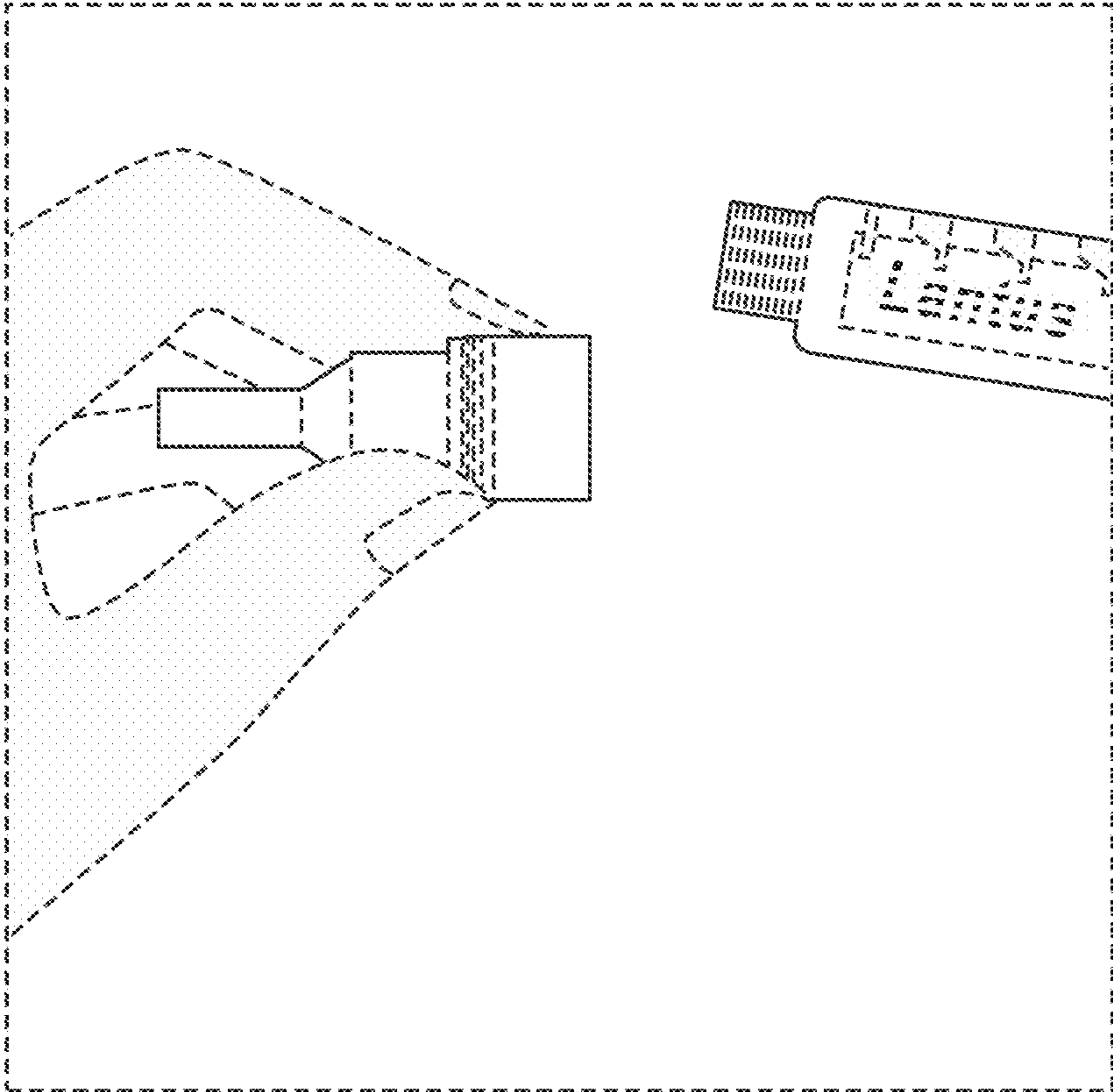


FIG. 3

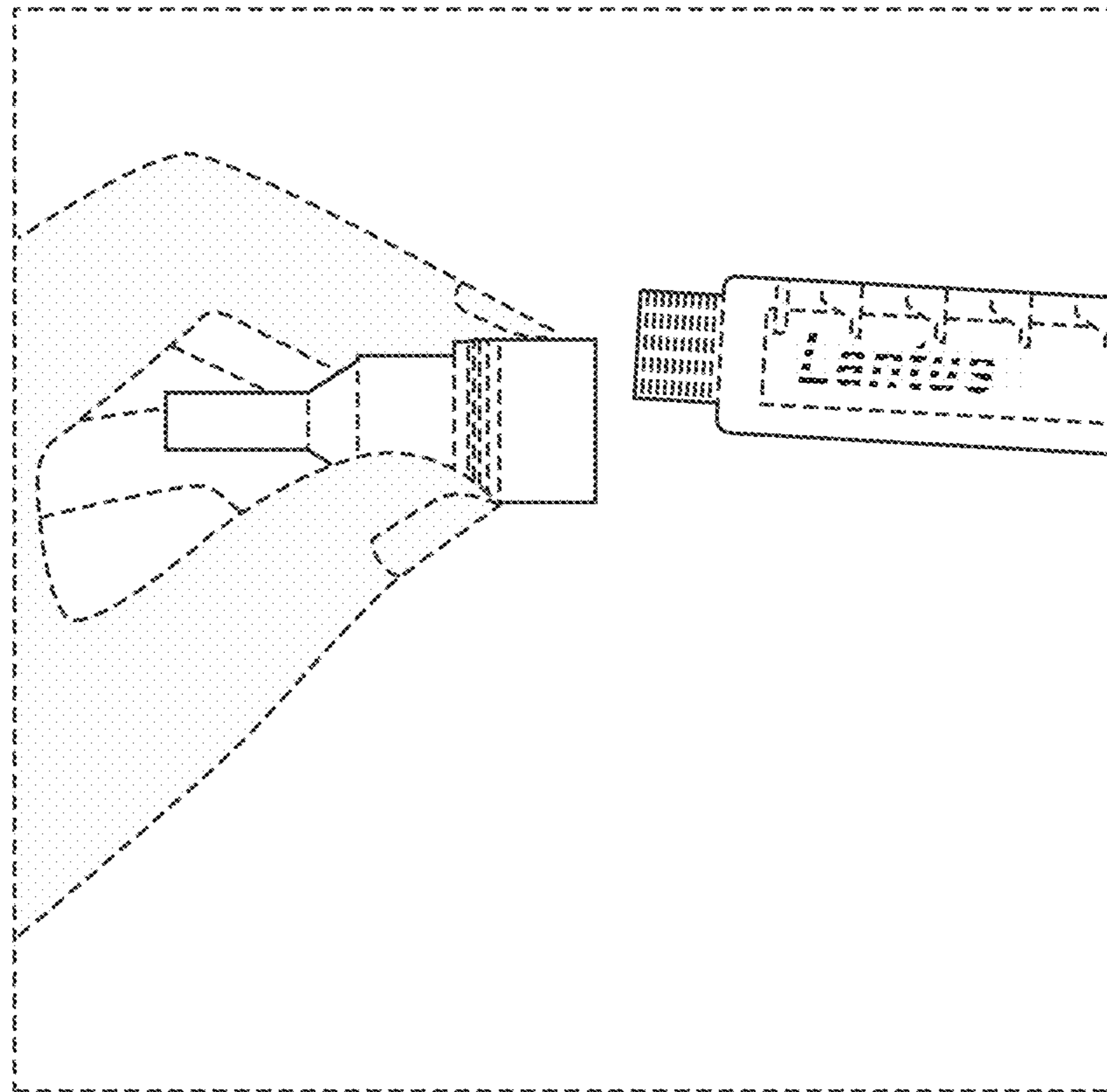


FIG. 4

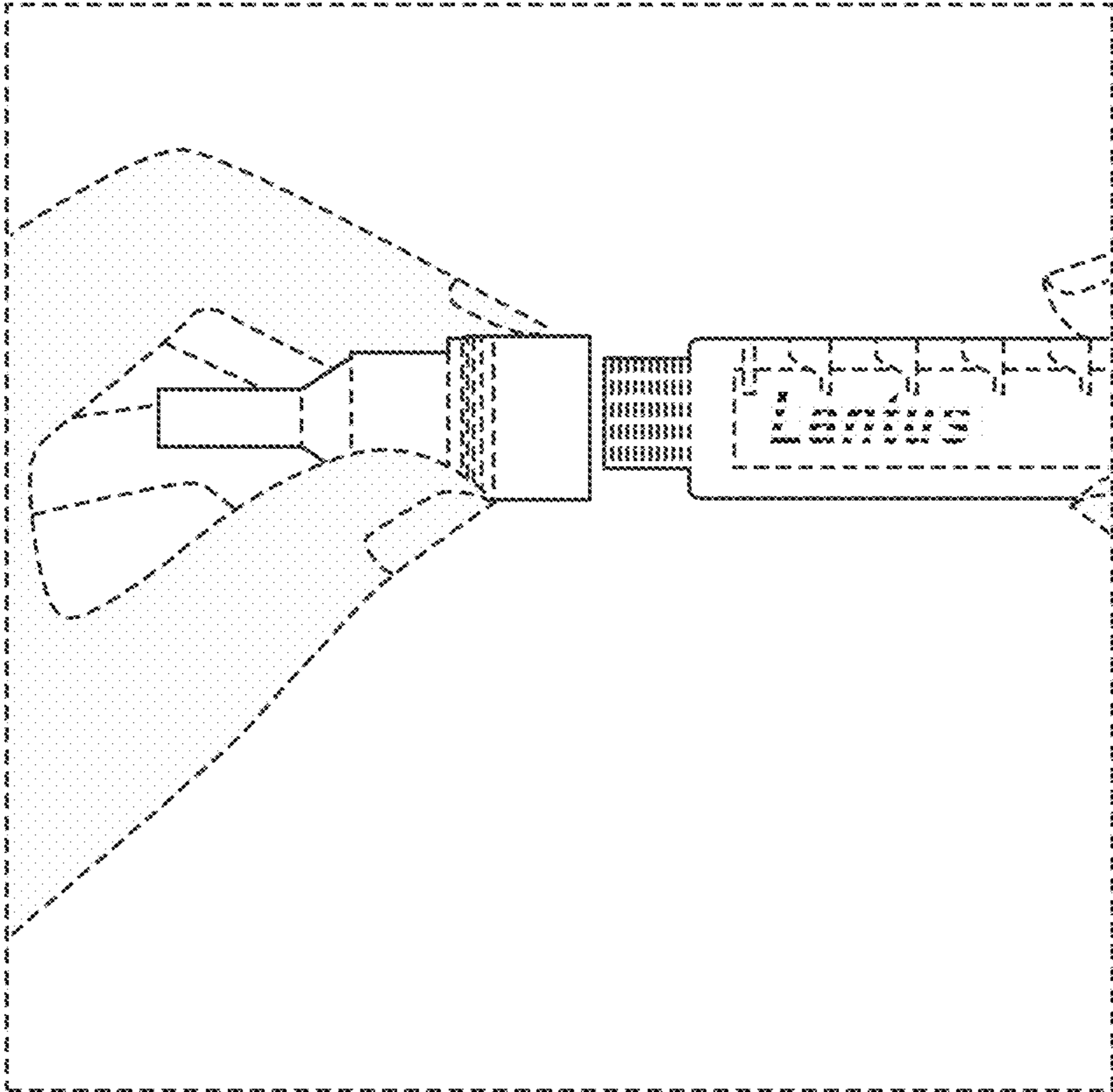


FIG. 5

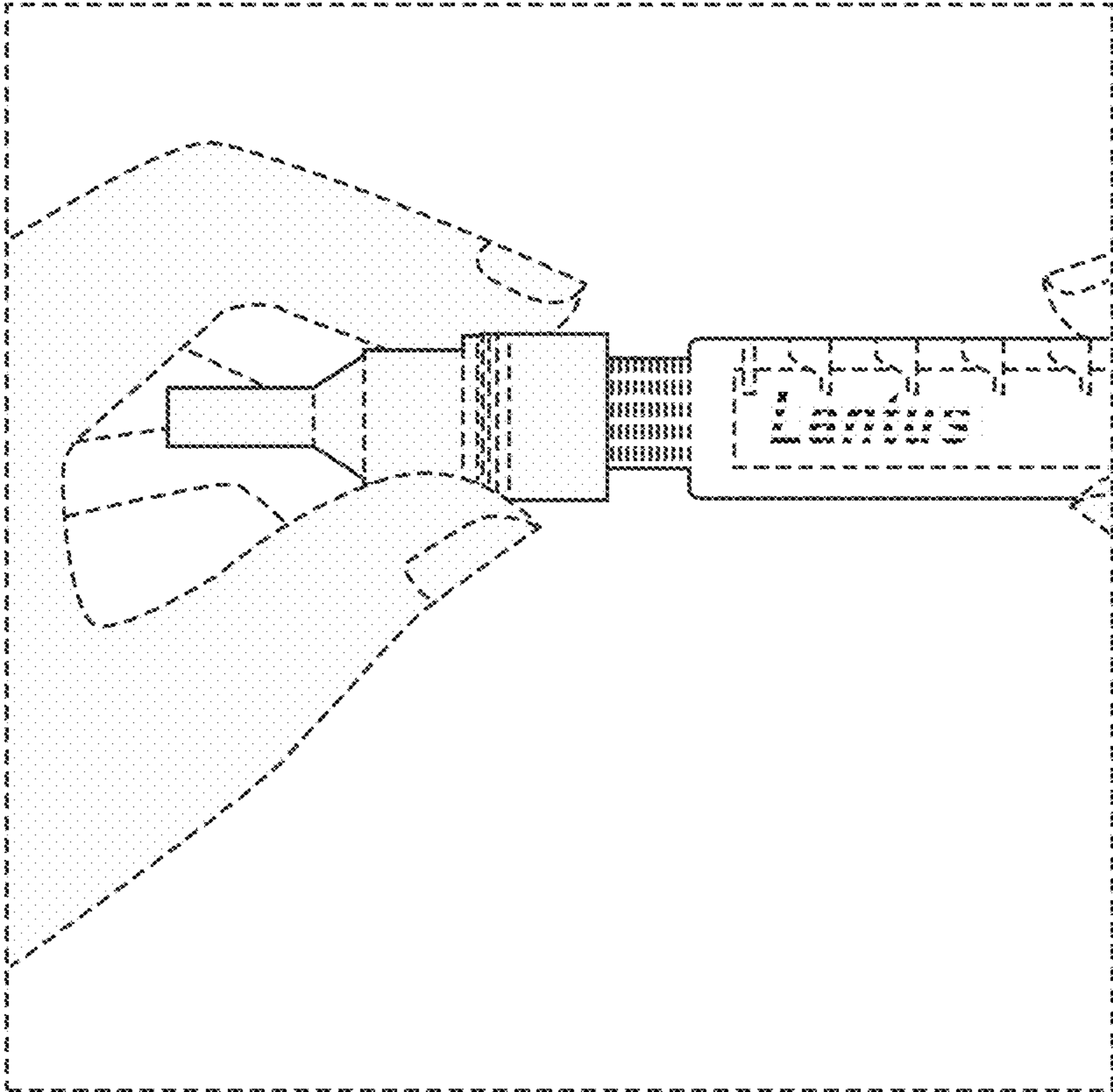


FIG. 6

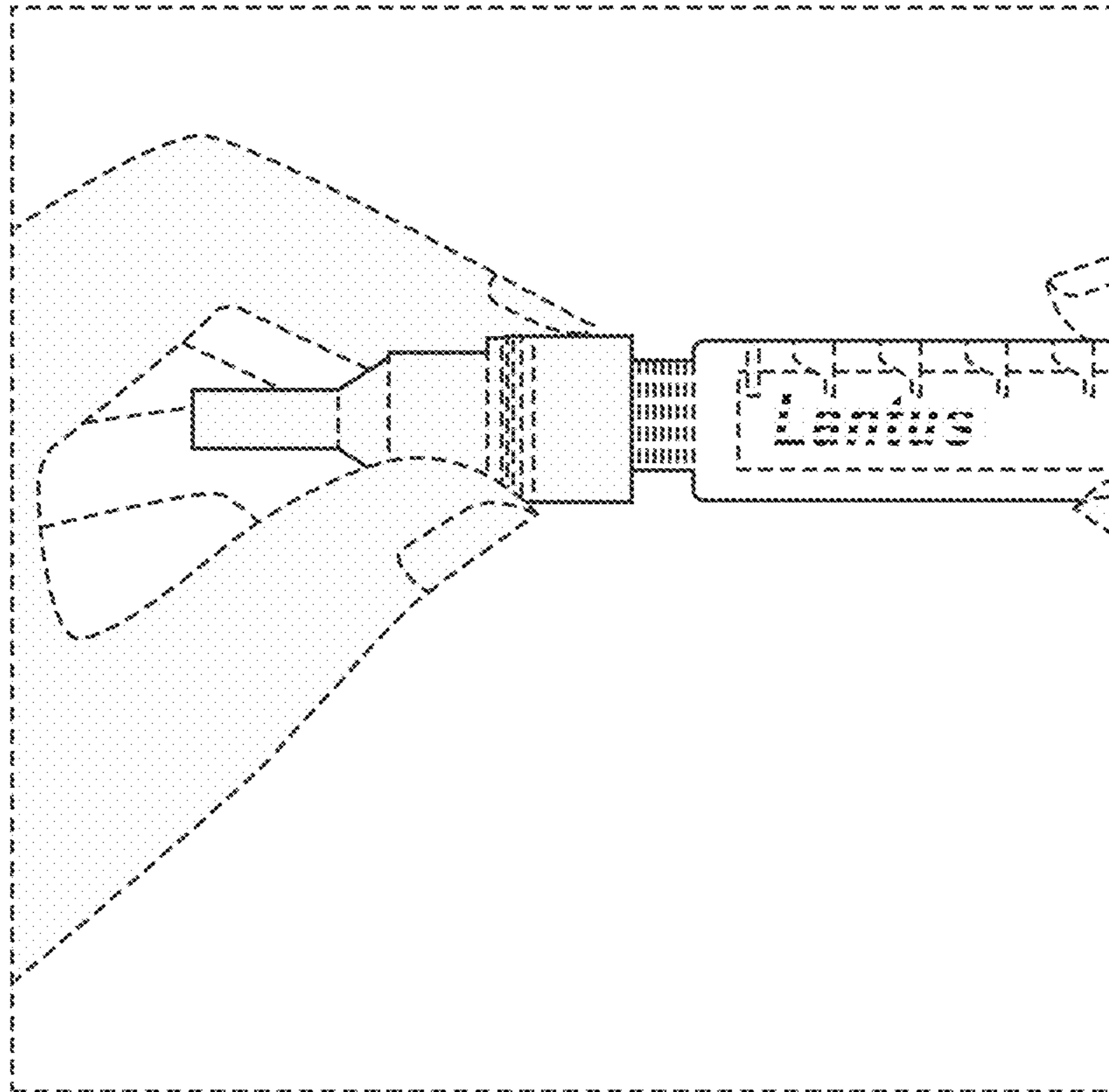


FIG. 7

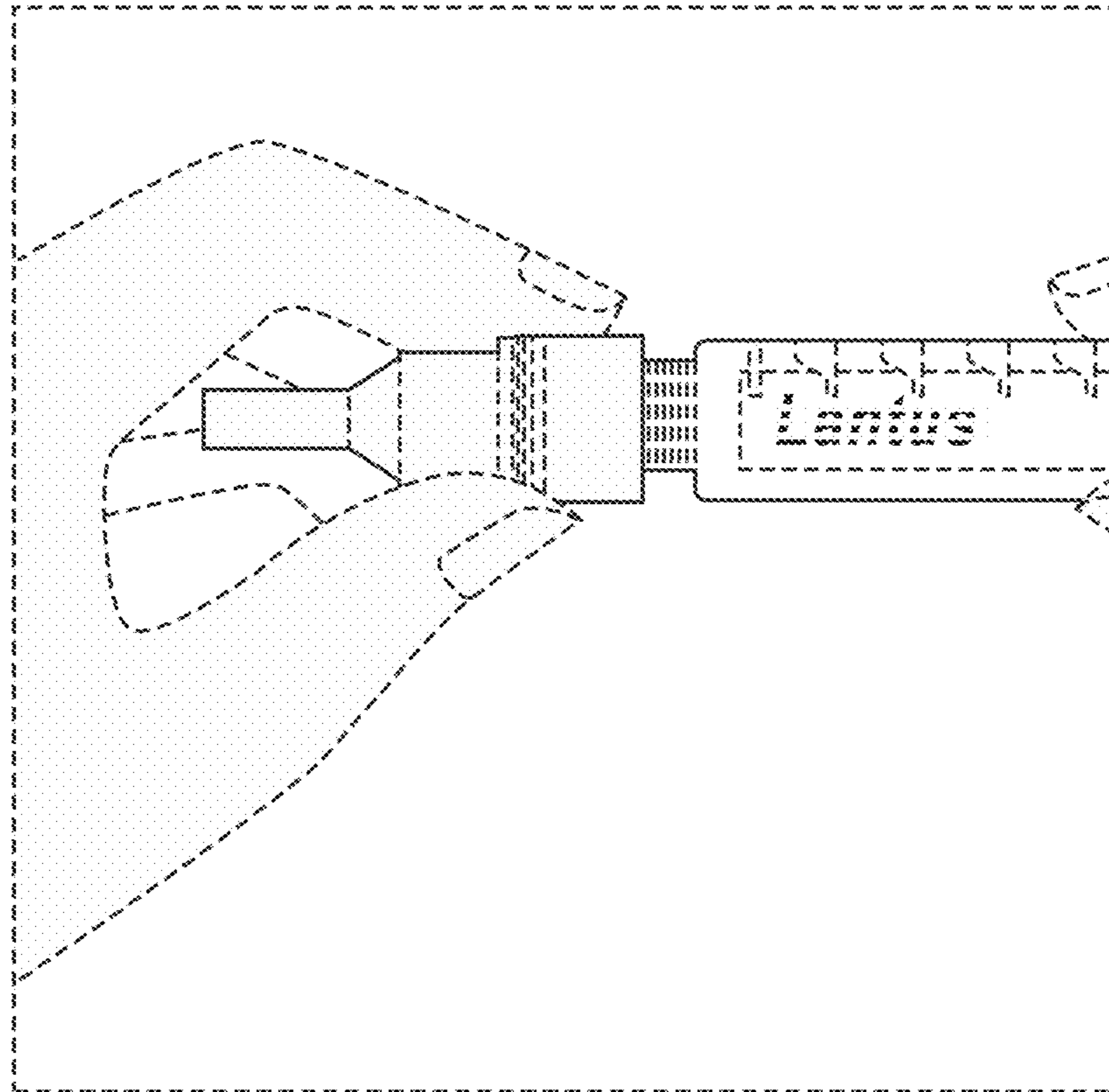


FIG. 8

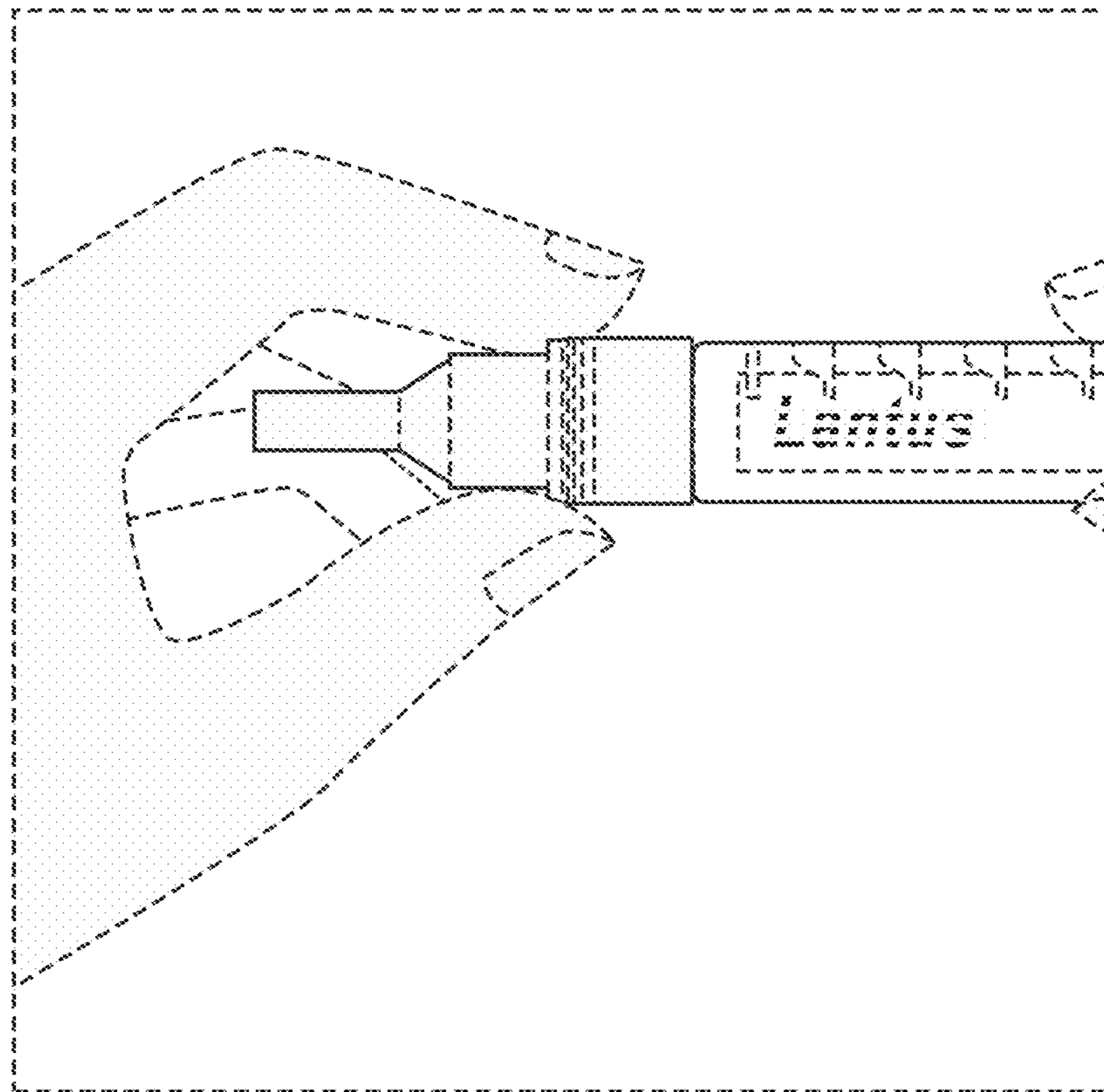


FIG. 9