



US00D953366S

(12) **United States Design Patent**
Lynch et al.

(10) **Patent No.:** **US D953,366 S**
(45) **Date of Patent:** **** May 31, 2022**

(54) **DISPLAY PANEL PORTION WITH AN ANIMATED COMPUTER ICON**

(71) Applicant: **Sanofi**, Paris (FR)

(72) Inventors: **Timothy Lynch**, Reading, MA (US);
Lillian Krieger, Boston, MA (US)

(73) Assignee: **Sanofi**, Paris (FR)

(**) Term: **15 Years**

(21) Appl. No.: **29/744,629**

(22) Filed: **Jul. 30, 2020**

(51) **LOC (13) Cl.** **14-04**

(52) **U.S. Cl.**
USPC **D14/488**

(58) **Field of Classification Search**
USPC D14/485-95
CPC G06F 3/48; G06F 3/0481; G06F 3/04812;
G06F 3/04815; G06F 3/04817; G06F
3/0482; G06F 3/0483; G06F 3/0484;
G06F 3/04842; G06F 3/04845; G06F
3/04847; G06F 3/0485; G06F 3/0486;
G06F 3/0487; G06F 3/0488; G06F
3/04883; G06F 3/04886

See application file for complete search history.

(56) **References Cited**

U.S. PATENT DOCUMENTS

- D183,256 S * 7/1958 Green D25/138
- D195,252 S * 5/1963 Nikolich D5/1
- D395,878 S * 7/1998 Copeland D14/495
- D399,837 S * 10/1998 Garguilo D14/486
- D473,240 S * 4/2003 Cockerill D14/489
- D549,725 S * 8/2007 Nijima D14/491
- D574,391 S * 8/2008 Kwag D14/486
- D582,935 S * 12/2008 Lee D14/486
- D603,421 S * 11/2009 Ebeling D14/489
- D604,325 S * 11/2009 Ebeling D14/489

- 8,366,680 B2 * 2/2013 Raab A61M 5/31585
604/211
- 8,376,987 B2 * 2/2013 Kuhn A61M 5/284
604/82
- 8,460,245 B2 * 6/2013 Guillermo A61M 5/2033
604/135

(Continued)

OTHER PUBLICATIONS

Autoinjector development, https://www.manufacturingchemist.com/news/article_page/Autoinjector_development/76465 (Year: 2012).*

(Continued)

Primary Examiner — Melanie H Tung

Assistant Examiner — Darmawan Truong

(74) *Attorney, Agent, or Firm* — Fish & Richardson P.C.

(57) **CLAIM**

The ornamental design for a display panel portion with an animated computer icon, substantially as shown and described.

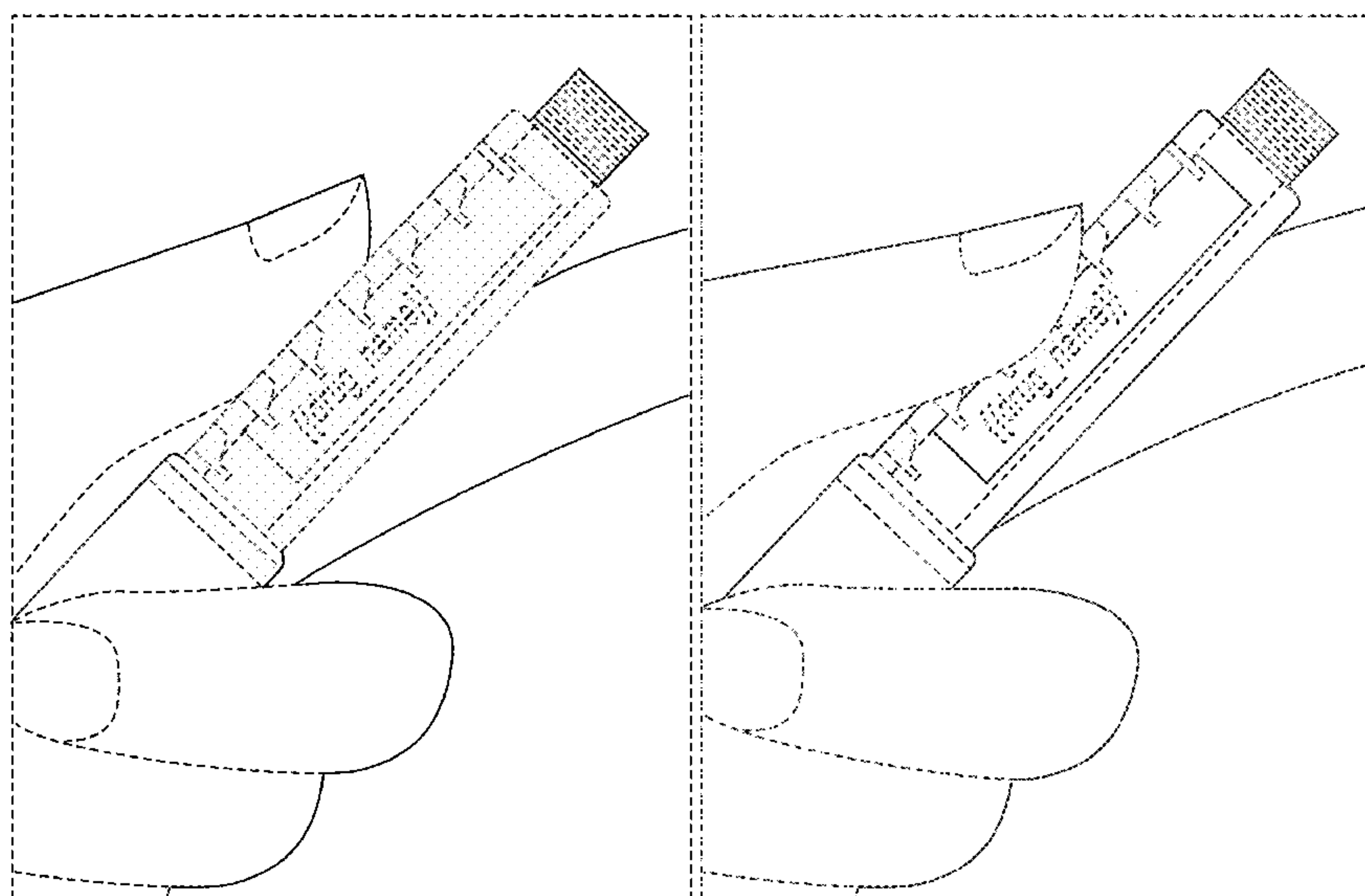
DESCRIPTION

FIG. 1 is a first image in a sequence for the display panel portion with an animated computer icon.
FIG. 2 is second image in the sequence thereof.
FIG. 3 is a third image in the sequence thereof.
FIG. 4 is a fourth image in the sequence thereof.
FIG. 5 is a fifth image in the sequence thereof.
FIG. 6 is a sixth image in the sequence thereof.
FIG. 7 is a seventh image in the sequence thereof; and,
FIG. 8 is an eighth image in the sequence thereof.

The appearance of the transitional image sequentially transitions between the images shown in FIGS. 1-8.

The process or period in which one image transitions to another forms no part of the claimed design. The broken lines showing a display panel portion and portions of the animated computer icon in FIGS. 1-8 form no part of the claimed design.

1 Claim, 8 Drawing Sheets



(56)

References Cited

U.S. PATENT DOCUMENTS

8,512,297 B2 * 8/2013 Veasey A61M 5/3157
604/209
D723,061 S * 2/2015 Qin D14/495
D752,105 S * 3/2016 Lee G06F 3/04817
D14/494
D755,847 S * 5/2016 Butcher D14/492
D765,728 S * 9/2016 Hung D14/492
D772,257 S * 11/2016 Furutani D14/486
D794,652 S * 8/2017 Wei D14/485
D801,998 S * 11/2017 Im D14/486
D815,120 S * 4/2018 Watanabe D14/485
D845,992 S * 4/2019 Davis D14/488
D890,788 S * 7/2020 Biberger D14/486
D903,711 S * 12/2020 Saule D14/489
2013/0338603 A1 * 12/2013 Roedle A61J 1/1412
604/199

OTHER PUBLICATIONS

Autoinjectors Market Overview—IssueWire, <https://www.issuewire.com/autoinjectors-market-overview-strategy-types-growth-therapy-analysis-and-forecast-by-2030-1636670126174508> (Year: 2019).*

SANOFI-SOLQUA Diabetes Insulin Pen, https://www.youtube.com/watch?v=_wTe4zNKbNY (Year: 2020).*

* cited by examiner

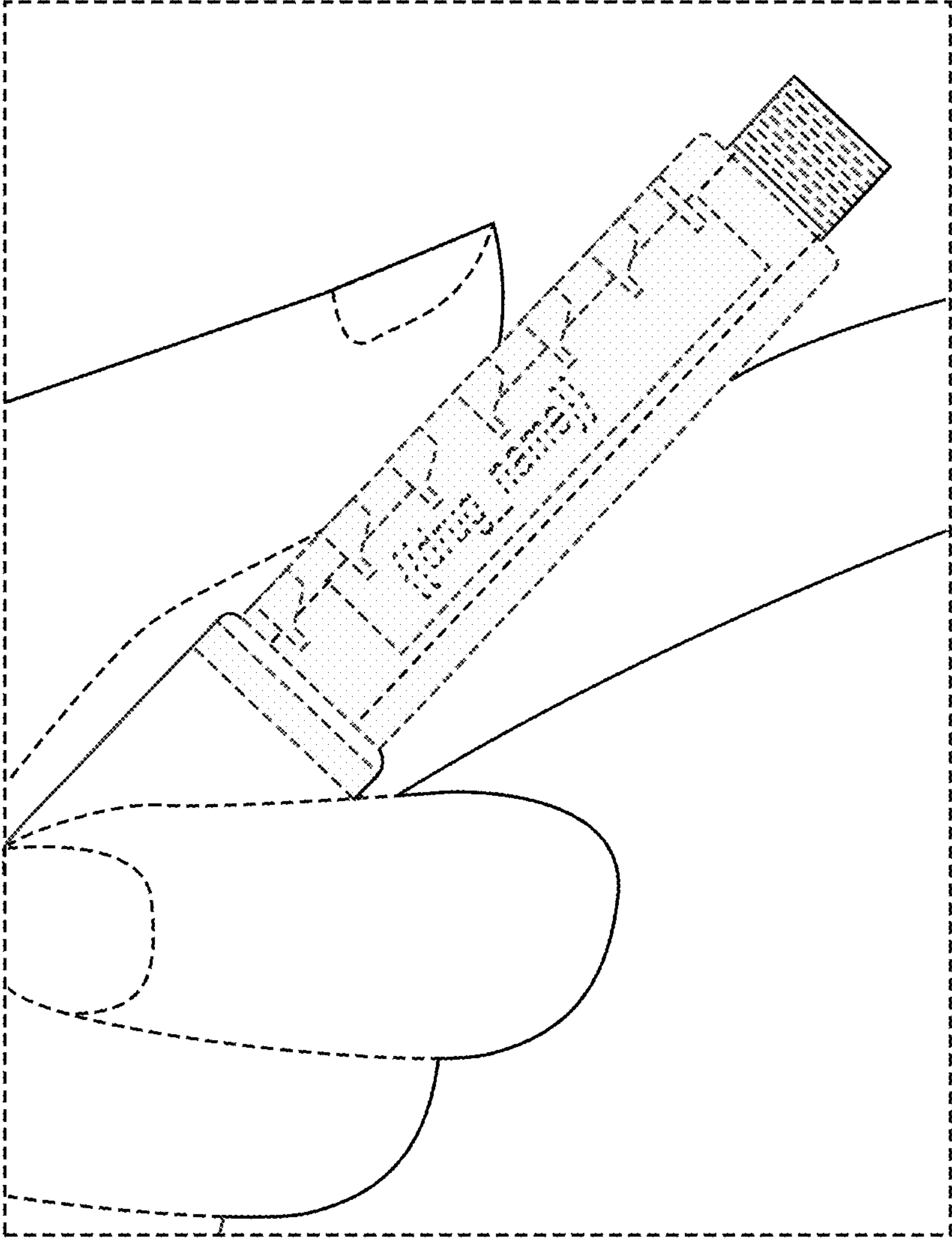


FIG. 1

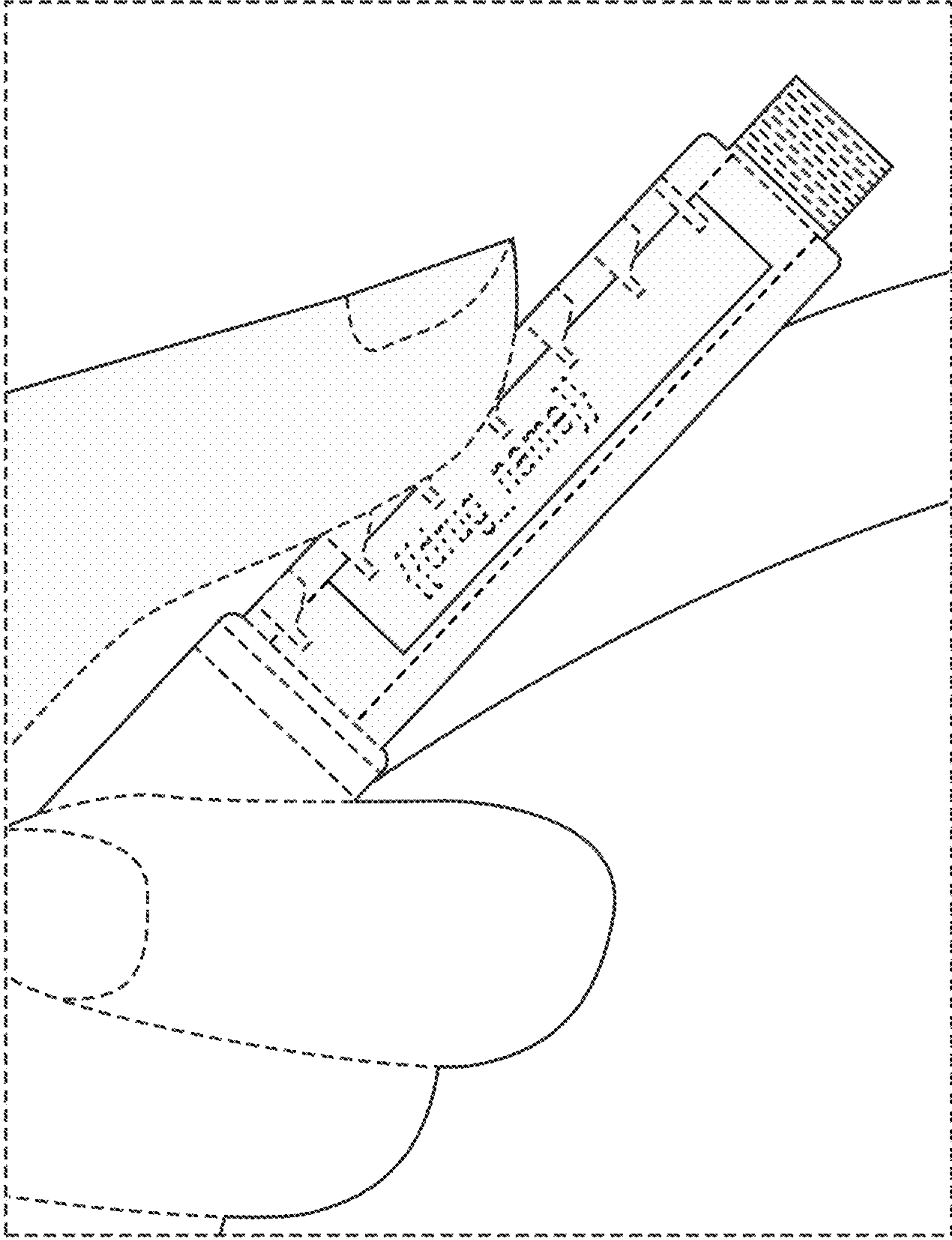


FIG. 2

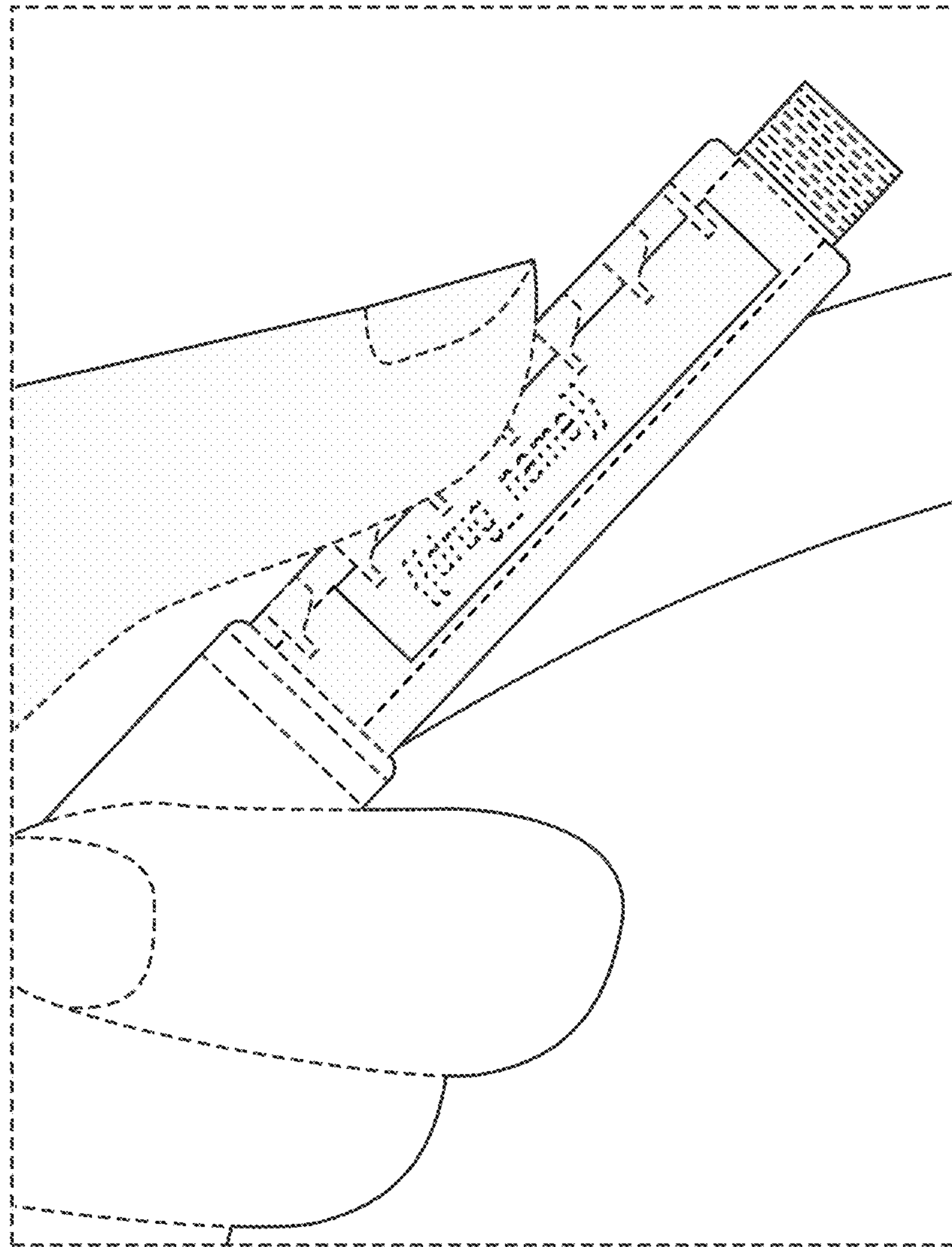


FIG. 3

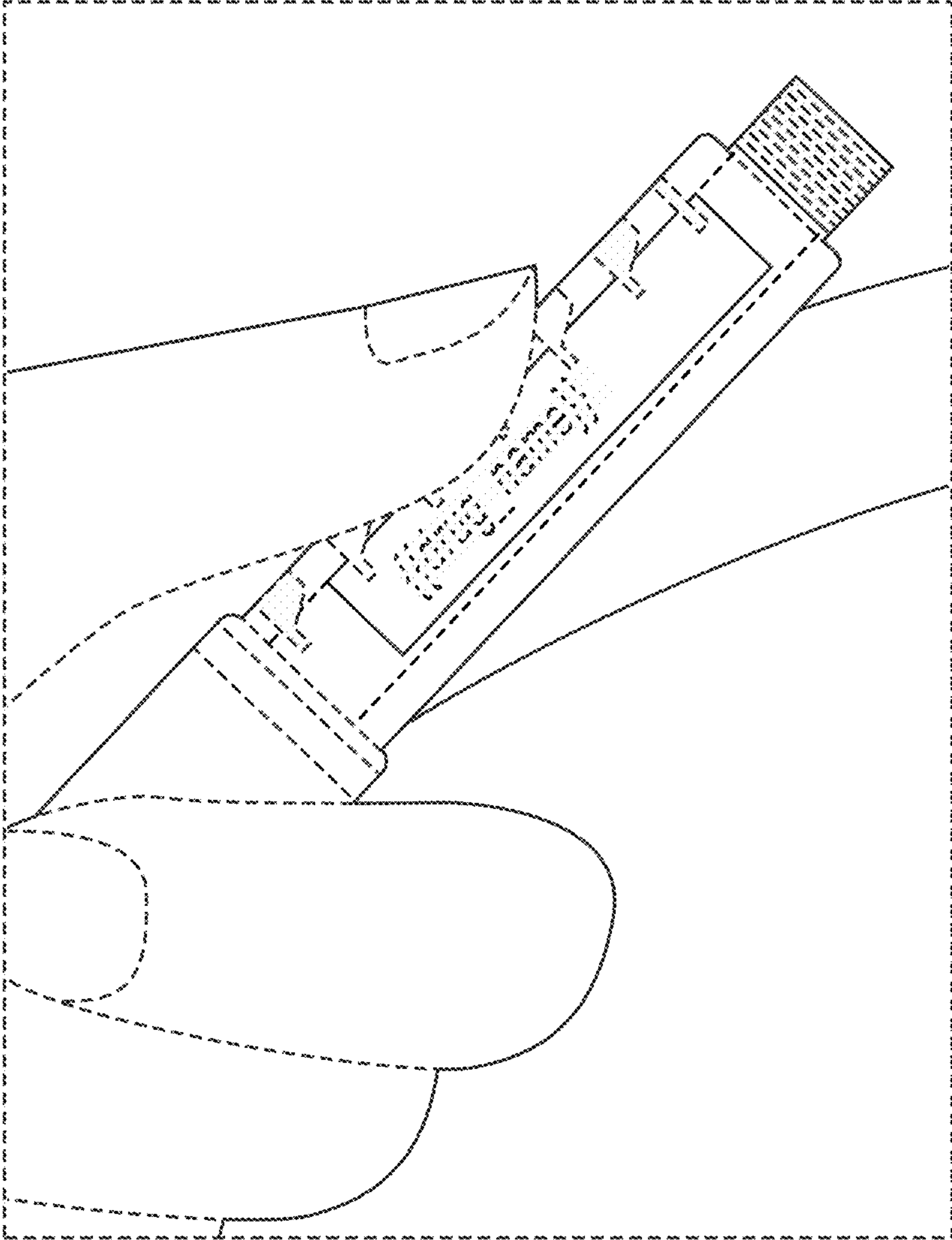


FIG. 4

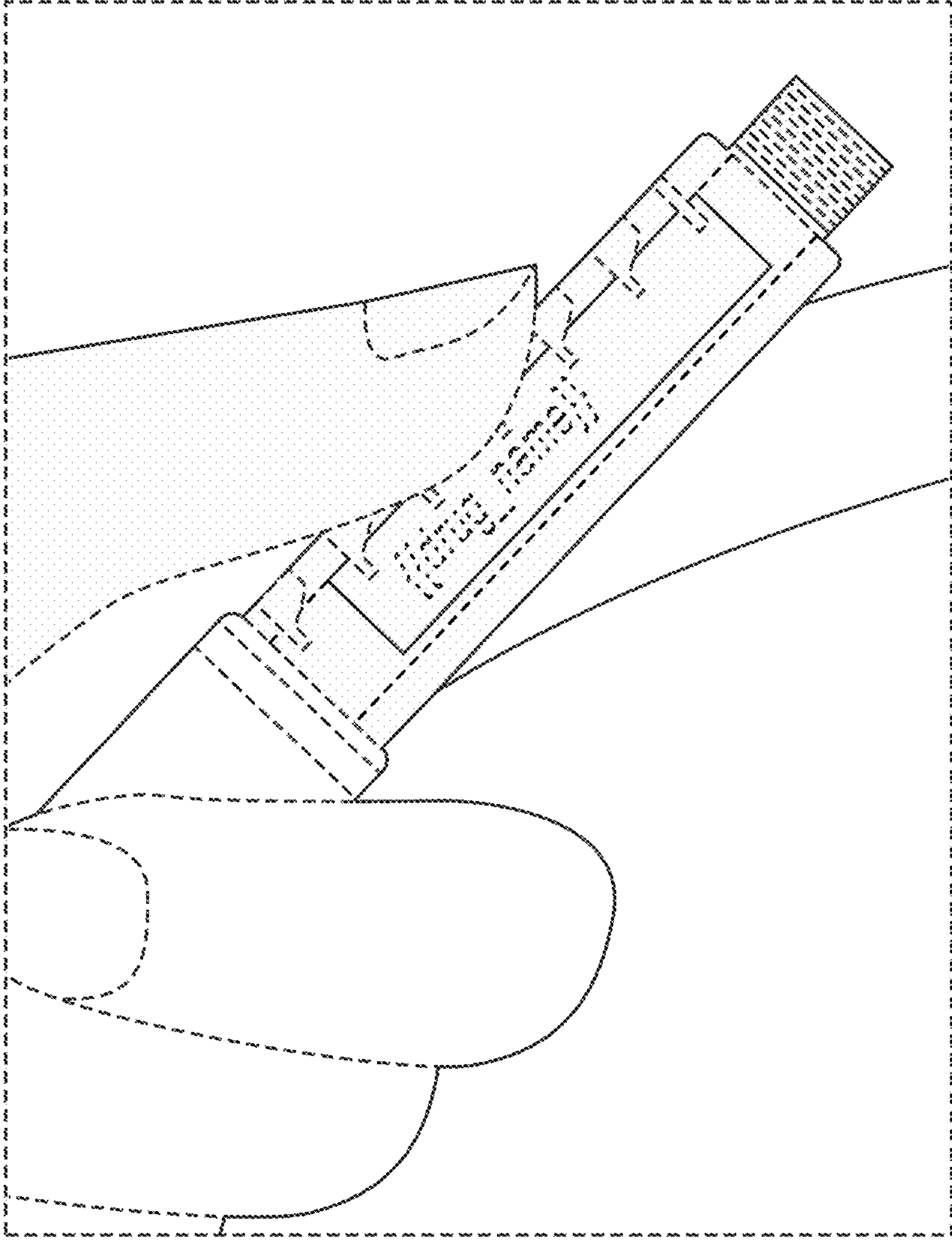


FIG. 5

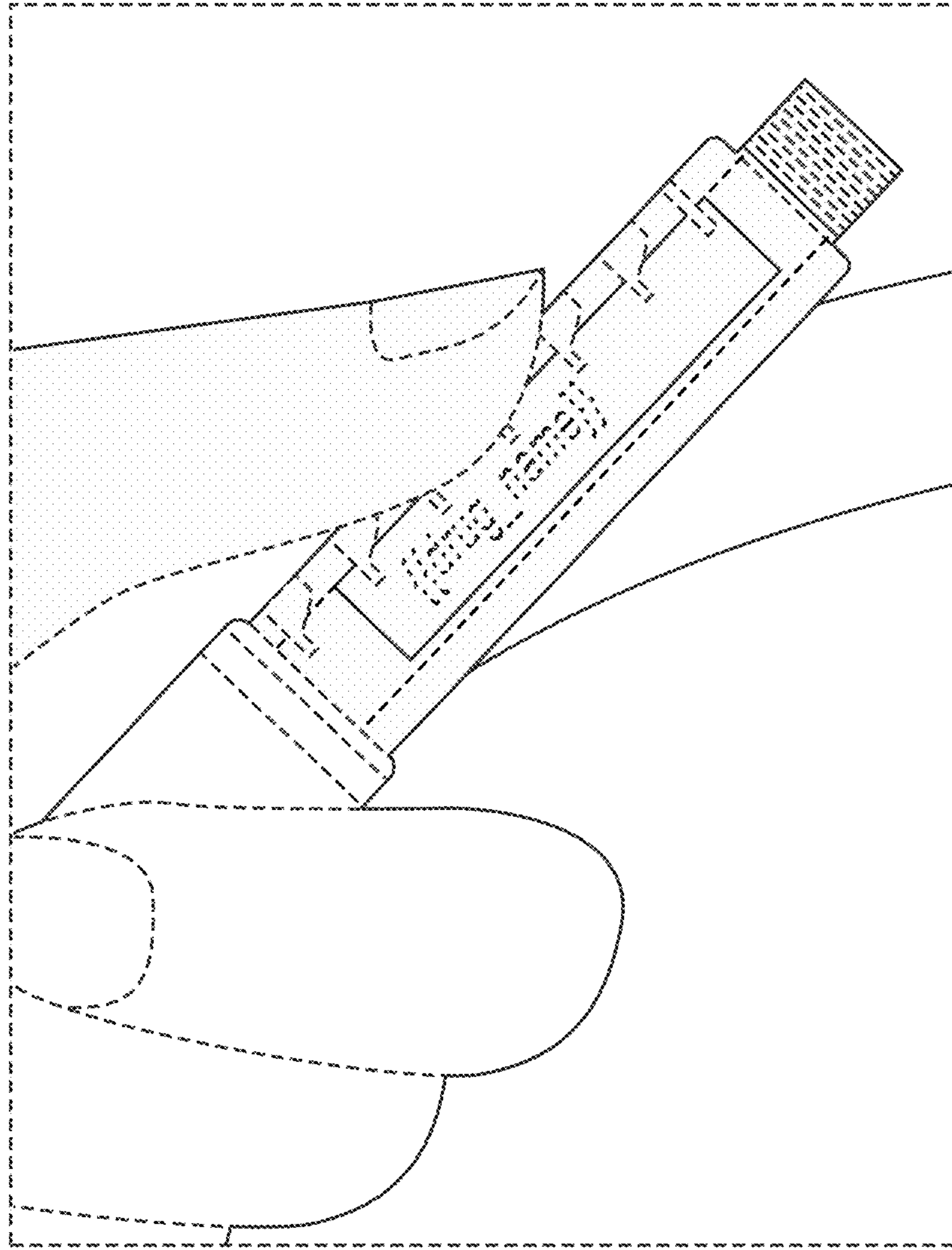


FIG. 6

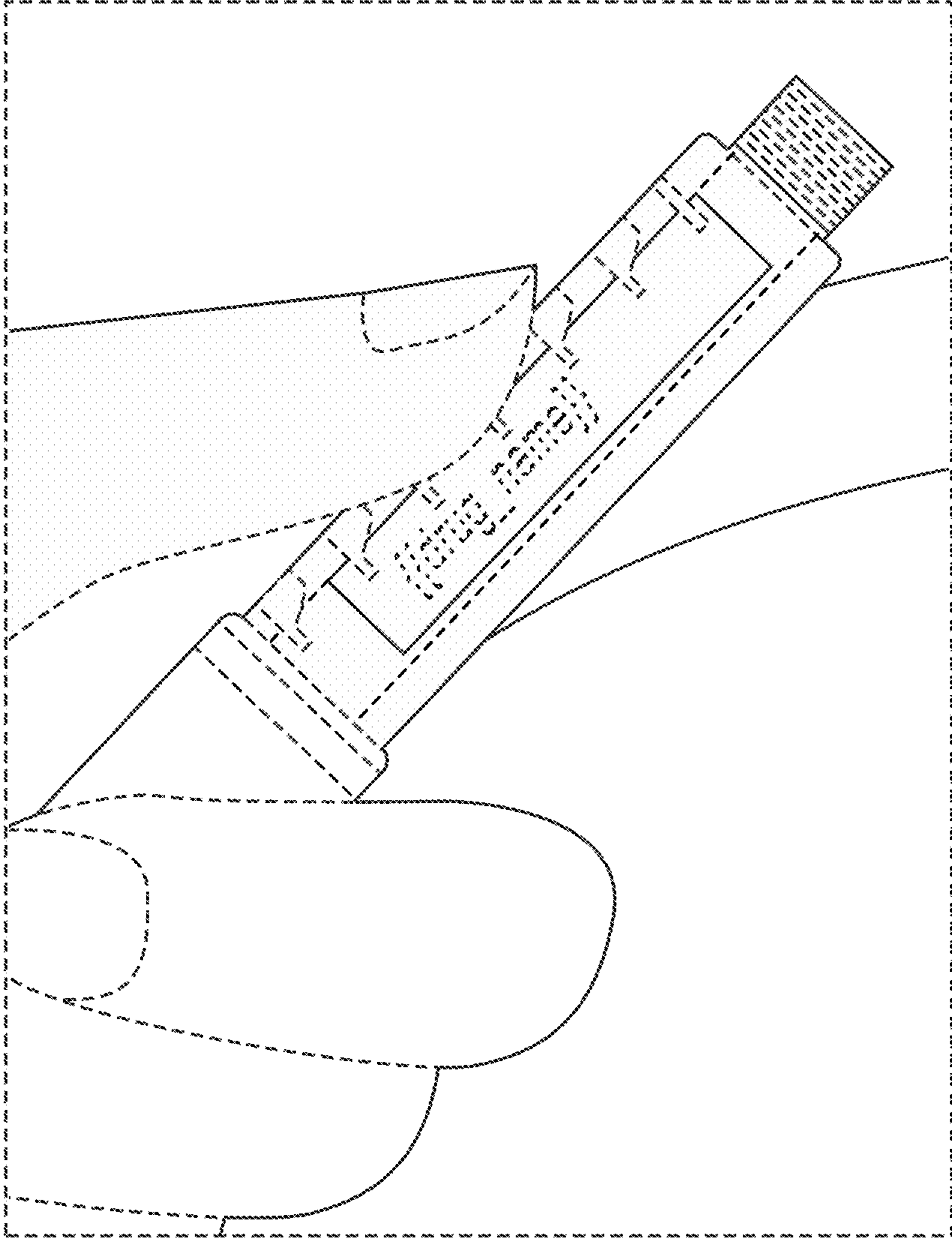


FIG. 7

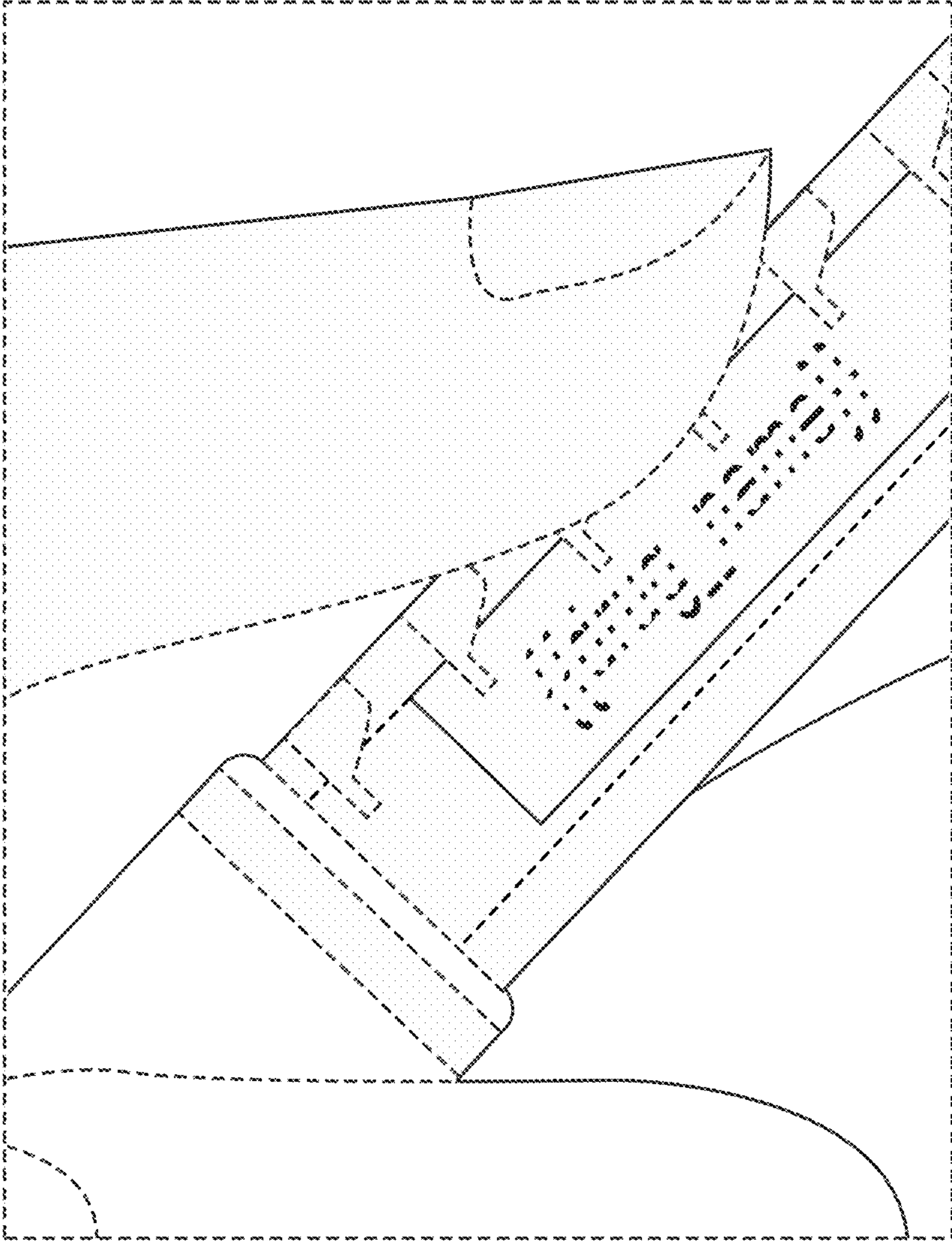


FIG. 8