



US00D953353S

(12) **United States Design Patent** (10) **Patent No.:** **US D953,353 S**
Gu et al. (45) **Date of Patent:** **** May 31, 2022**

(54) **ELECTRONIC DISPLAY FOR A WEARABLE DEVICE WITH GRAPHICAL USER INTERFACE**

D802,021 S * 11/2017 Pirklbauer D14/492
D837,812 S * 1/2019 Kim D14/486
D855,639 S * 8/2019 Luchner D14/486
D888,077 S * 6/2020 Lee D14/485

(Continued)

(71) Applicant: **HUAWEI TECHNOLOGIES CO., LTD.**, Shenzhen (CN)

(72) Inventors: **Guosheng Gu**, Shenzhen (CN); **Yi Han**, Shenzhen (CN); **Ting Zhang**, Shenzhen (CN)

(73) Assignee: **HUAWEI TECHNOLOGIES CO., LTD.**, Shenzhen (CN)

(**) Term: **15 Years**

(21) Appl. No.: **29/726,667**

(22) Filed: **Mar. 4, 2020**

(30) **Foreign Application Priority Data**

Sep. 4, 2019 (CN) 201930486522.0

(51) **LOC (13) Cl.** **14-04**

(52) **U.S. Cl.**
USPC **D14/486**

(58) **Field of Classification Search**
USPC D14/485-95; D10/30, 38-39, 123, 126
CPC .. G06F 3/0481; G06F 3/0482; G06F 3/04812;
G06F 3/04817; G06F 3/0484; G06F
3/0485; G06F 3/048; G06F 3/0487; G06F
3/0488; G06F 3/04883; G06F 3/04886;
G06F 3/0489; G06F 3/0486; G06F
3/04842; G06F 3/04845; G06F 3/04847;
G04B 19/00; G04B 19/06; H04N 1/00424
See application file for complete search history.

(56) **References Cited**

U.S. PATENT DOCUMENTS

D565,059 S * 3/2008 Armstrong D14/489
D756,395 S * 5/2016 Kim D14/486
D770,528 S * 11/2016 Lee D14/492

OTHER PUBLICATIONS

<https://www.istockphoto.com/vector/abstract-black-and-white-stripe-pattern-background-gm498746705-42174980> (Year: 2014).*

(Continued)

Primary Examiner — Melanie H Tung

(74) *Attorney, Agent, or Firm* — Hauptman Ham, LLP

(57) **CLAIM**

The ornamental design for an electronic display for a wearable device with graphical user interface, as shown and described.

DESCRIPTION

FIG. 1 is a front view of an electronic display for a wearable device with graphical user interface, showing our new design;

FIG. 2 is an enlarged front view of a first embodiment thereof, the graphical user interface is shown separately for clarity of illustration;

FIG. 3 is an enlarged front view of a second embodiment thereof, the graphical user interface is shown separately for clarity of illustration;

FIG. 4 is a rear view thereof;

FIG. 5 is a left view thereof;

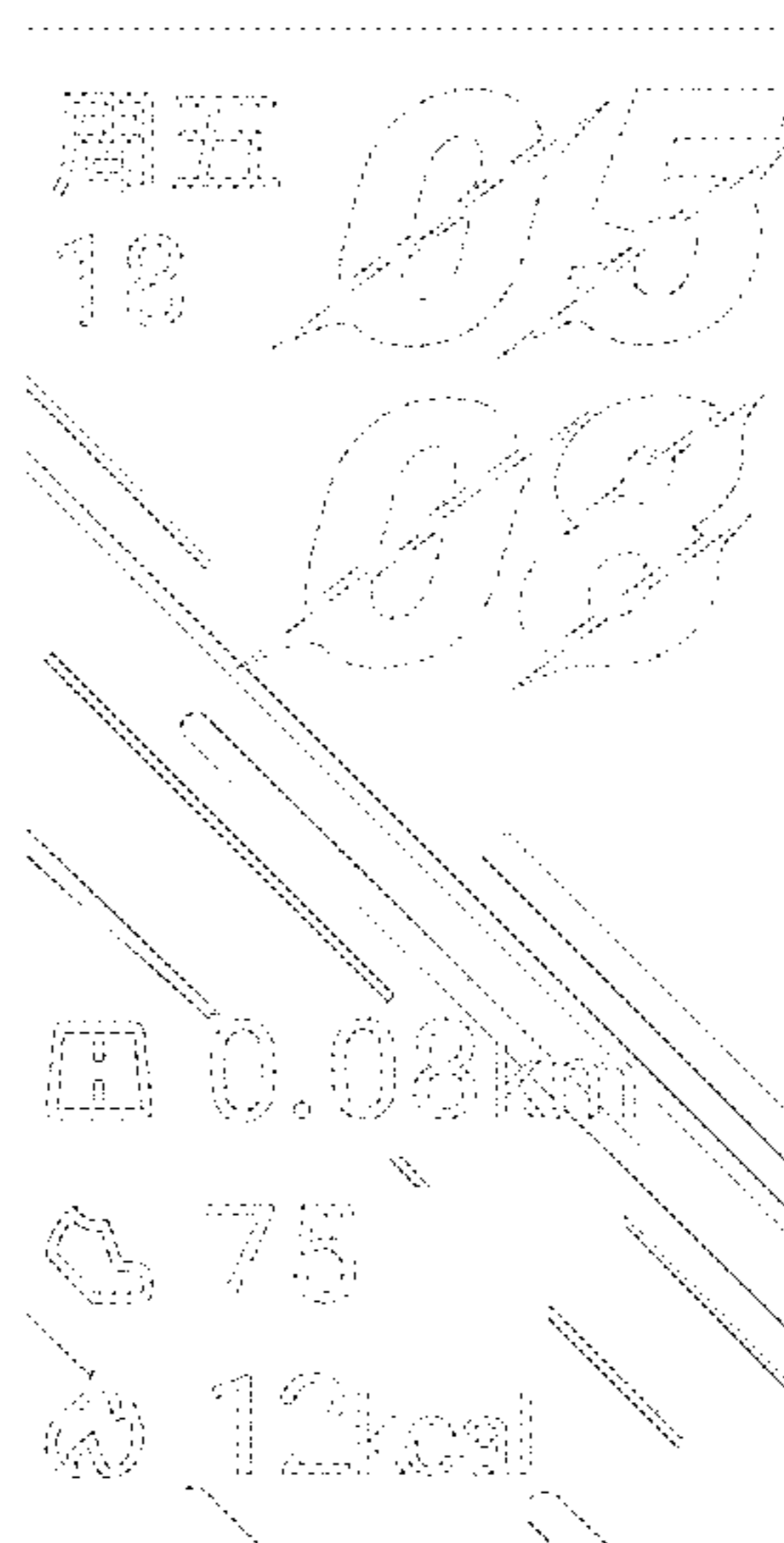
FIG. 6 is a right view thereof;

FIG. 7 is a top view thereof; and,

FIG. 8 is a bottom view thereof.

The broken line showing of an electronic display for the wearable device in FIGS. 1 and 4-8 forms no part of the claimed design. The broken line showing of portions of the graphical user interface in FIGS. 1-3 forms no part of the claimed design.

1 Claim, 8 Drawing Sheets



(56)

References Cited

U.S. PATENT DOCUMENTS

2015/0098309 A1* 4/2015 Adams G04G 21/06
368/10
2015/0160621 A1* 6/2015 Yilmaz G06F 1/1643
368/10
2016/0357282 A1* 12/2016 Block G06F 40/10
2019/0121446 A1* 4/2019 Elazari G06F 40/274
2019/0369861 A1* 12/2019 Ive G06F 21/84

OTHER PUBLICATIONS

<https://www.istockphoto.com/vector/abstract-diagonal-lines-background-design-gm880816230-245312150> (Year: 2017).*
https://www.iconfinder.com/icons/2449951/activity_fast_performance_quick_run_speed_sprint_icon (Year: 2017).*
https://www.iconfinder.com/icons/4198394/construction_fire_industry_oil_icon (Year: 2019).*
<https://www.istockphoto.com/photo/digital-diagonal-red-lines-abstract-background-3d-rendering-gm611890594-105335871> (Year: 2016).*

https://www.iconfinder.com/icons/3152593/highway_lane_road_trip_way_icon (Year: 2018).*
<https://dribbble.com/ustwo/projects/249791-Android-Wear-Watch-Faces> (Year: 2014).*
https://www.iconfinder.com/icons/1309689/arrow_destination_guide_map_navigation_road_sign_icon (Year: 2016).*
https://www.iconfinder.com/icons/4517645/burn_fire_flame_hot_nature_icon (Year: 2019).*
https://www.iconfinder.com/icons/3321087/exercise_fitness_running_training_workout_icon (Year: 2018).*
https://www.iconfinder.com/icons/3056301/fire_burn_flame_icon (Year: 2018).*
<https://www.gearbest.com/blog/new-gear/huawei-honor-band-5-review-an-excellent-health-monitor-and-fitness-tracker-under-100-7021> (Year: 2019).*
<https://www.youtube.com/watch?v=MGMO76-q0CQc>. at 2:42 (Year: 2015).*
<https://www.youtube.com/watch?v=MGMO76-q0CQc>. at 3:00 (Year: 2015).*

* cited by examiner

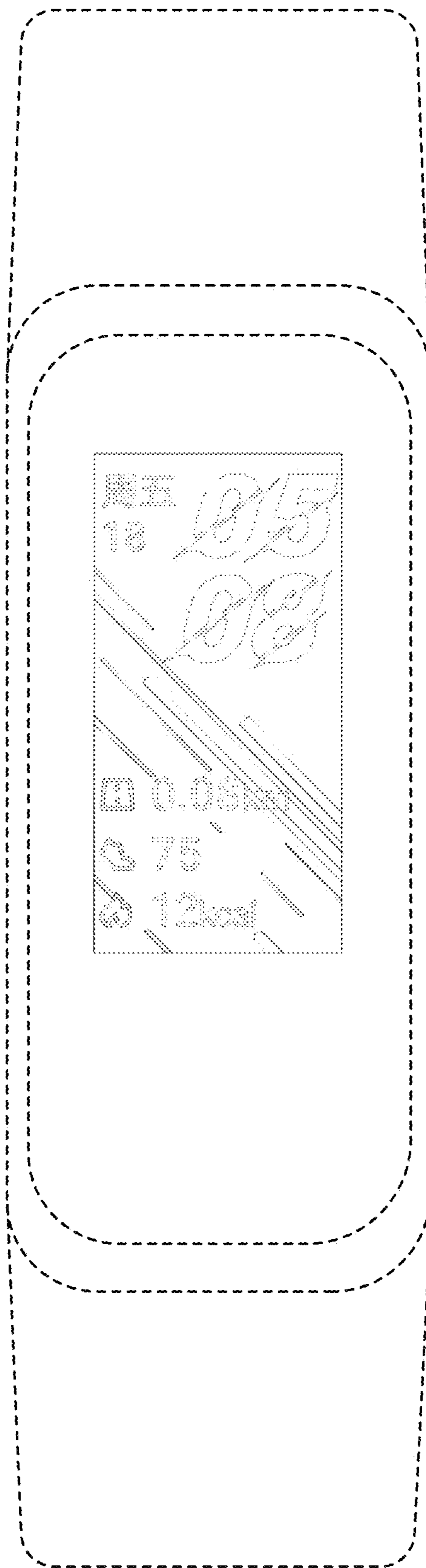


FIG. 1

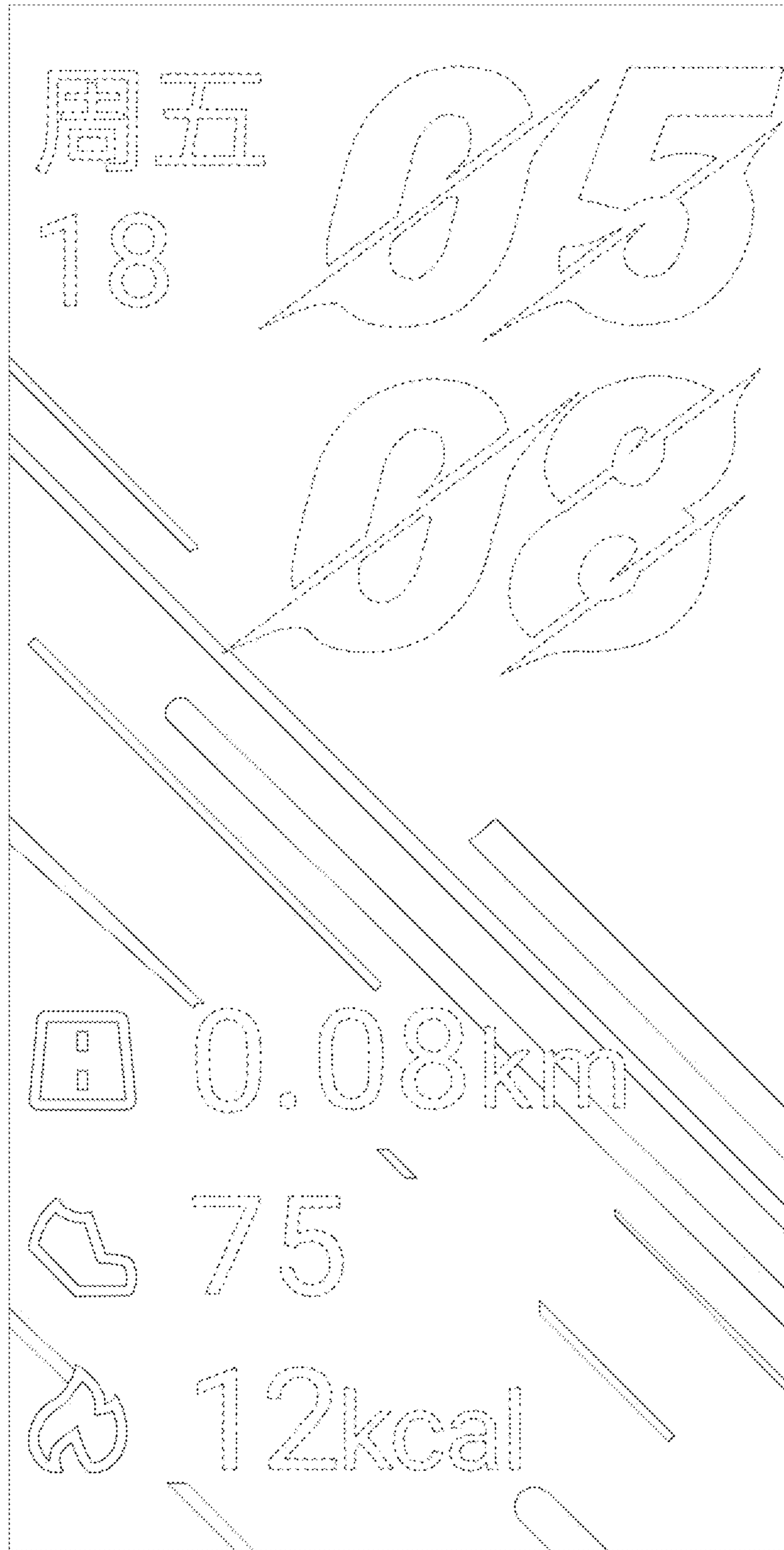


FIG. 2

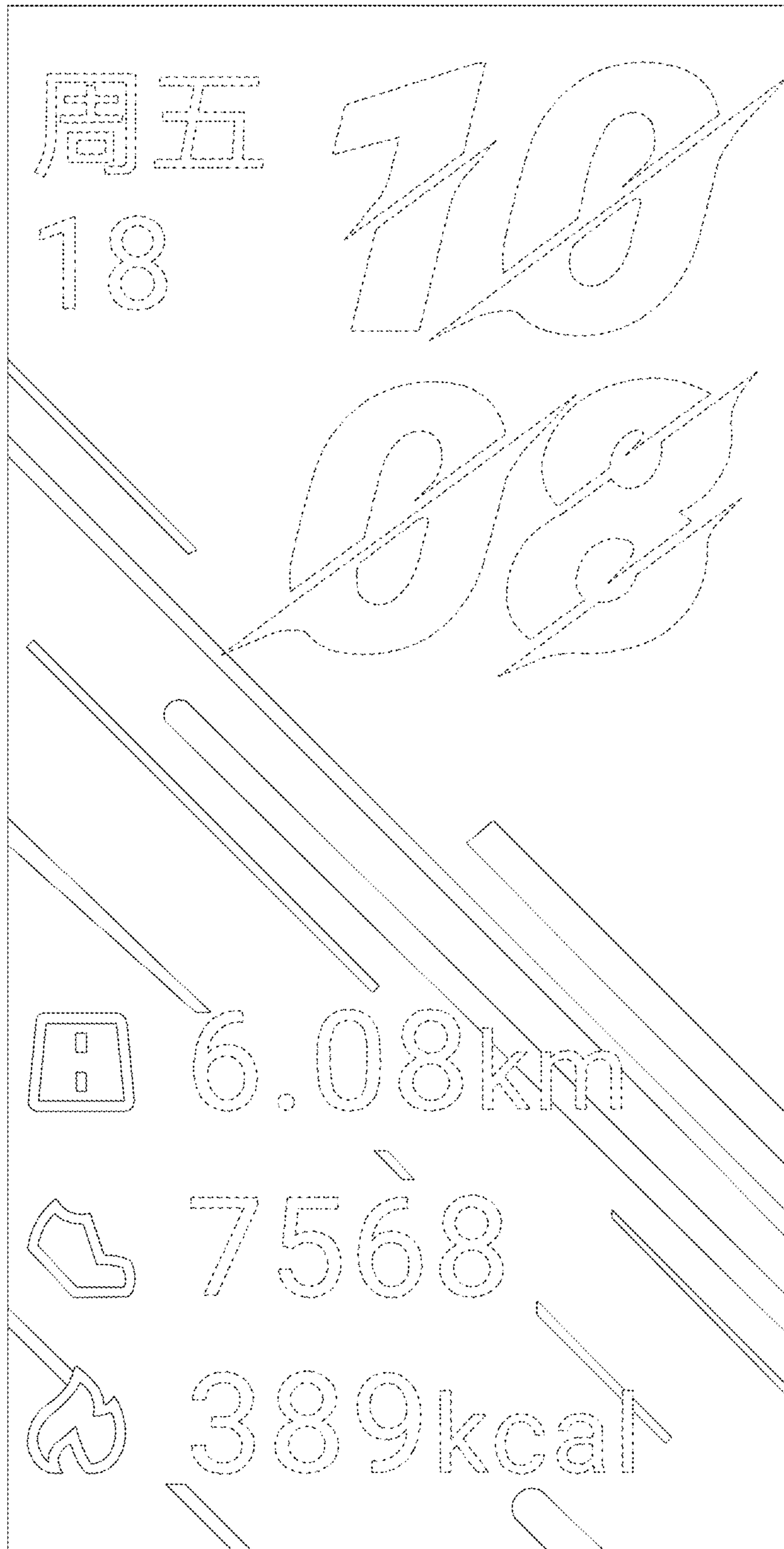


FIG. 3

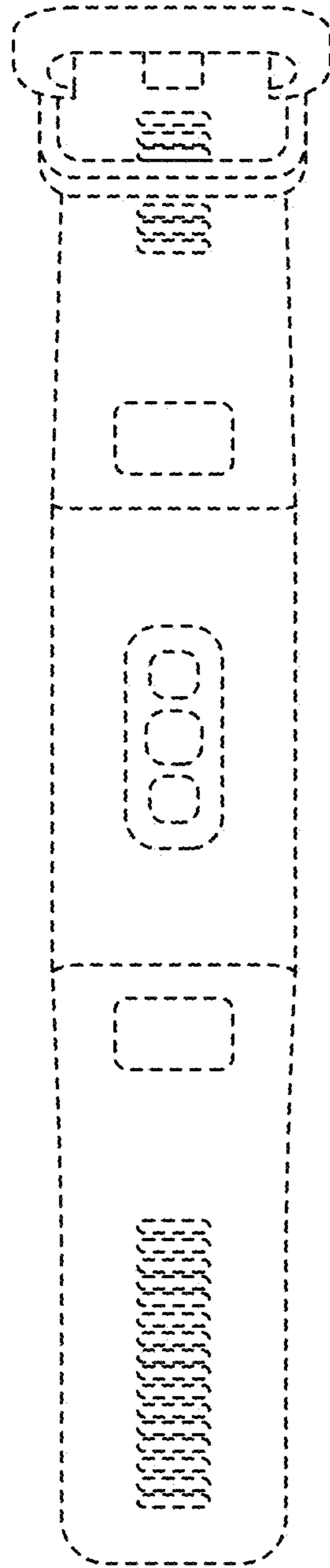


FIG. 4

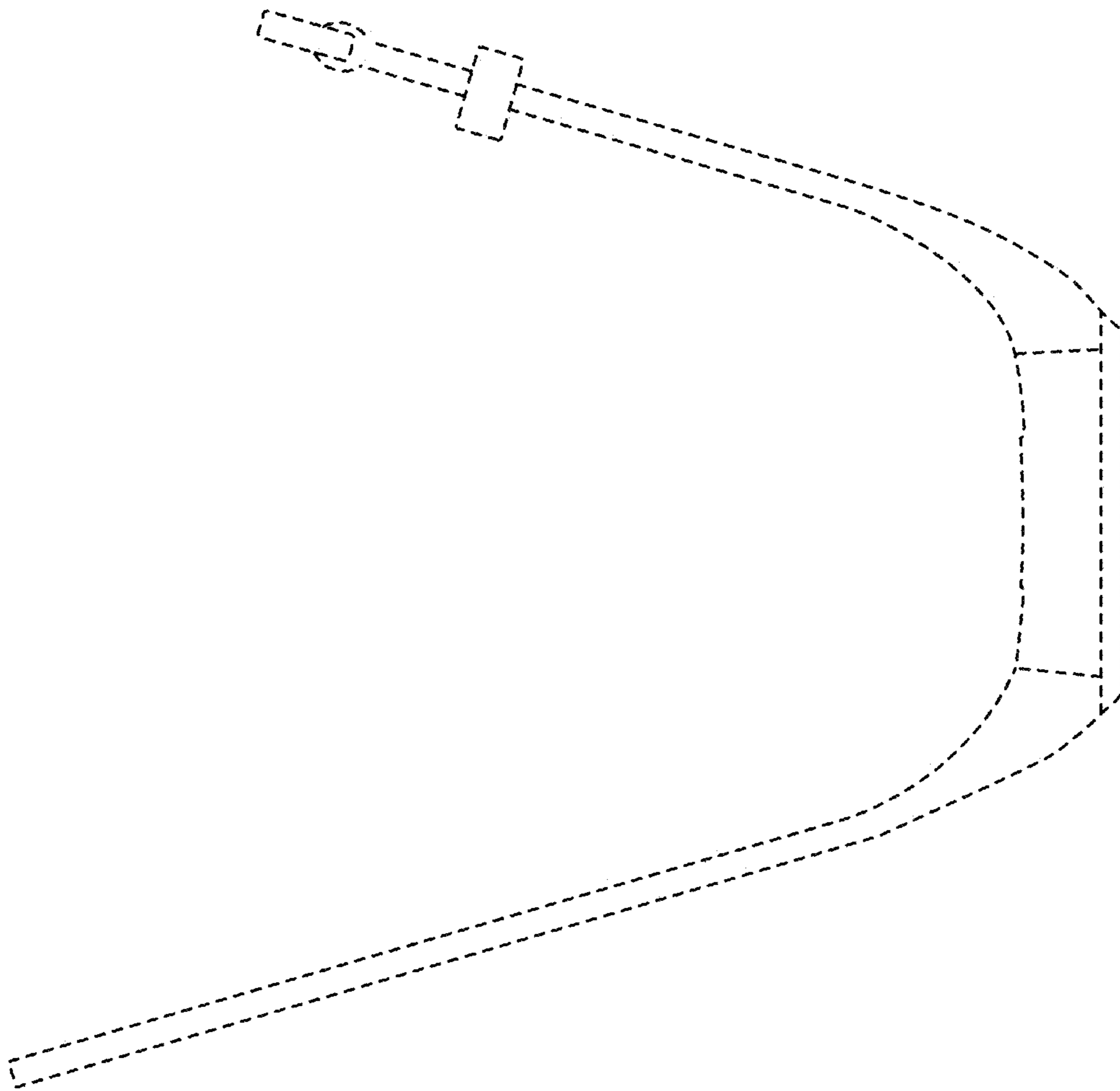


FIG. 5

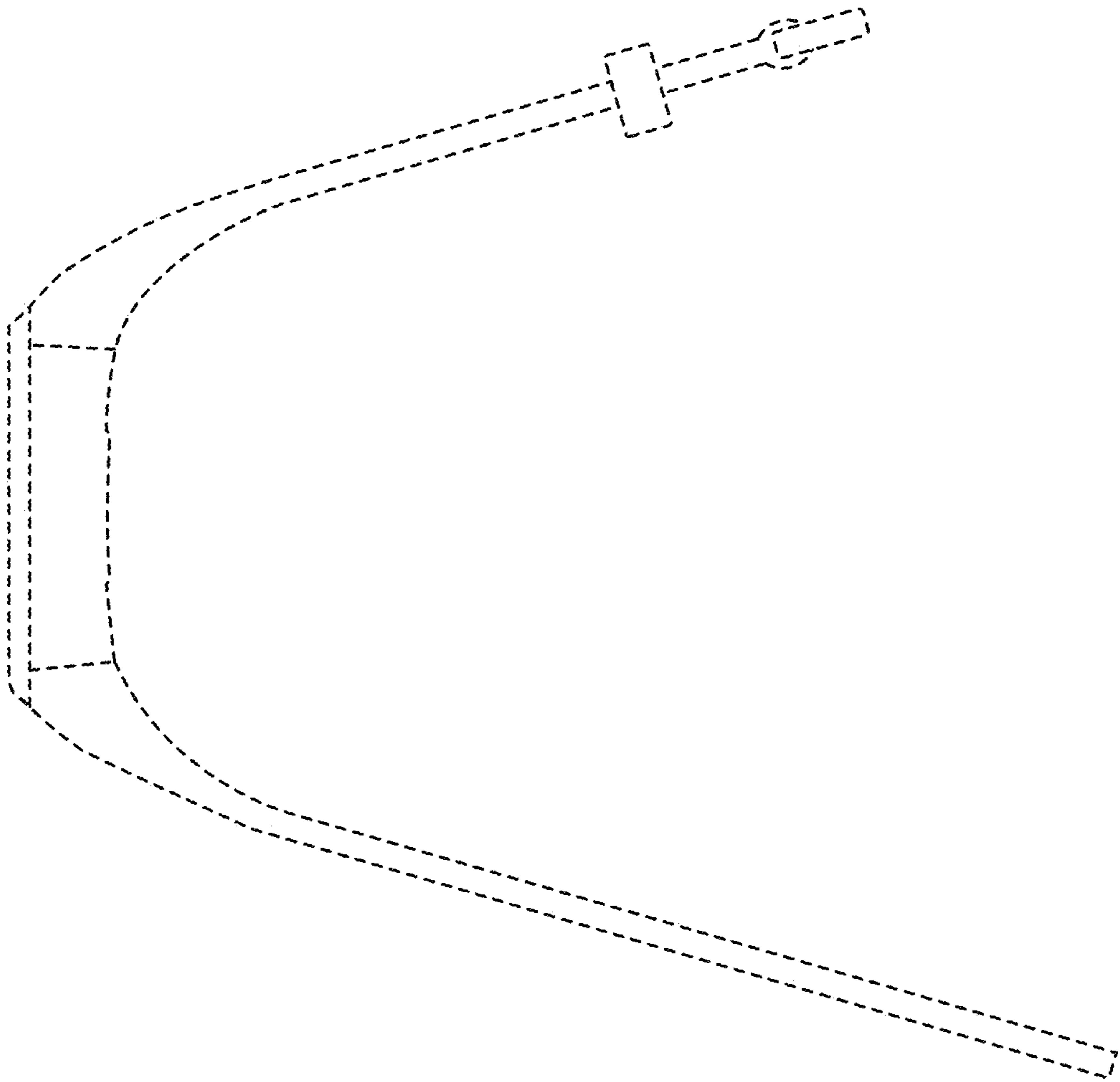


FIG. 6

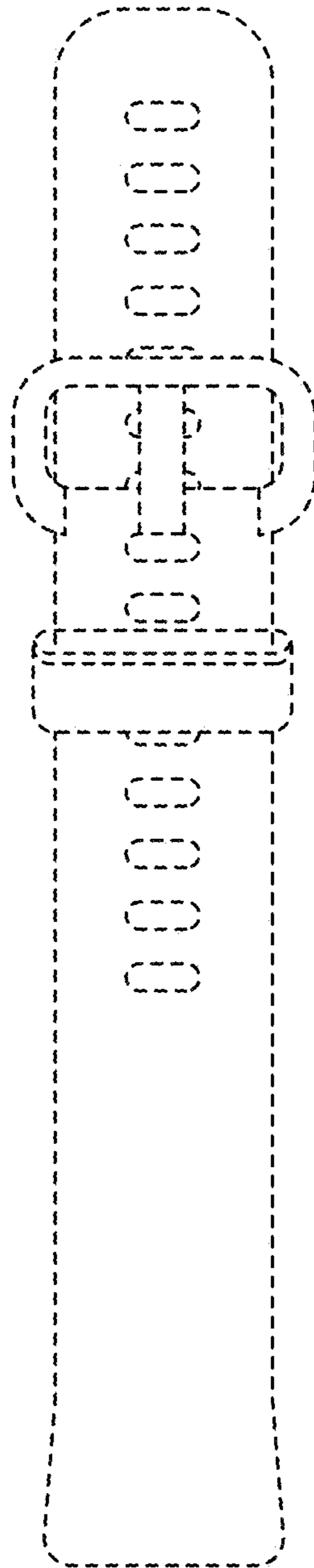


FIG. 7

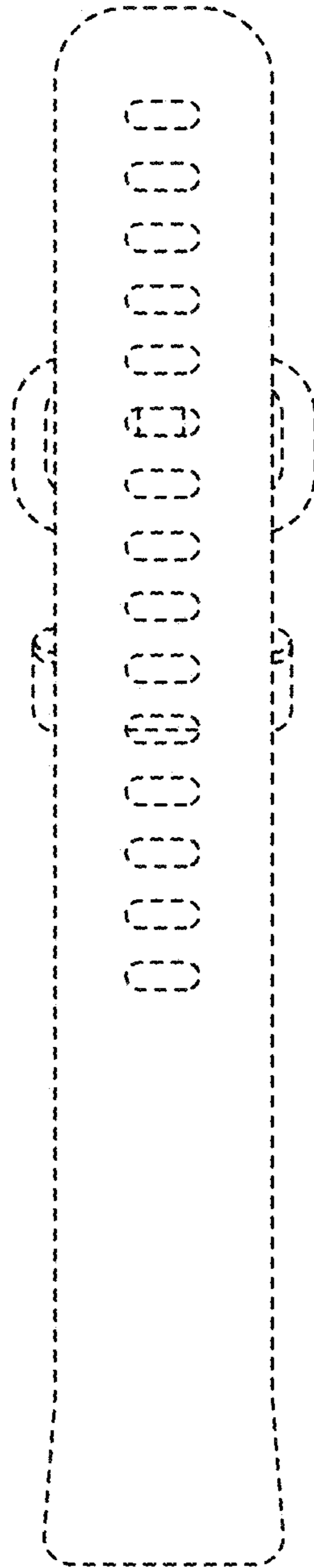


FIG. 8