



US00D953342S

(12) **United States Design Patent** (10) **Patent No.:** **US D953,342 S**
Sheng et al. (45) **Date of Patent:** **** May 31, 2022**

(54) **SUPPORT FOR SCANNER**

H04N 1/02815; H04N 1/4076; H04N 1/40056; H04N 1/02845; G03G 15/0142; G03G

(71) Applicant: **AVISION INC.**, Hsinchu (TW)

(Continued)

(72) Inventors: **Shao-Lan Sheng**, Hsinchu (TW);
Chao-Yu Peng, Hsinchu (TW)

(56) **References Cited**

(73) Assignee: **AVISION INC.**, Hsinchu (TW)

U.S. PATENT DOCUMENTS

(**) Term: **15 Years**

D644,458 S * 9/2011 Babick D6/709
D727,410 S * 4/2015 Saito D18/36

(21) Appl. No.: **29/758,553**

FOREIGN PATENT DOCUMENTS

(22) Filed: **Nov. 17, 2020**

JP 1435415 3/2012

(51) **LOC (13) Cl.** **14-02**

* cited by examiner

(52) **U.S. Cl.**

Primary Examiner — Susan Moon Lee

USPC **D14/453**

(74) *Attorney, Agent, or Firm* — Winston Hsu

(58) **Field of Classification Search**

(57) **CLAIM**

USPC D14/421–425, 453; D18/40, 36–39, 41,
D18/44–56, 34.3; 235/462, 455, 470,
235/462.43, 482, 483; 358/474, 486, 488,
358/496, 498, 452, 449, 451, 453.1, 1.13,
358/1.16; 318/685, 696; 355/81, 75;
399/405, 367, 379, 380; 382/217;
715/209, 222, 226, 274; 400/613,
400/613.1–613.4, 690.1–690.4, 691–694;
271/264, 127, 131, 117, 118, 162

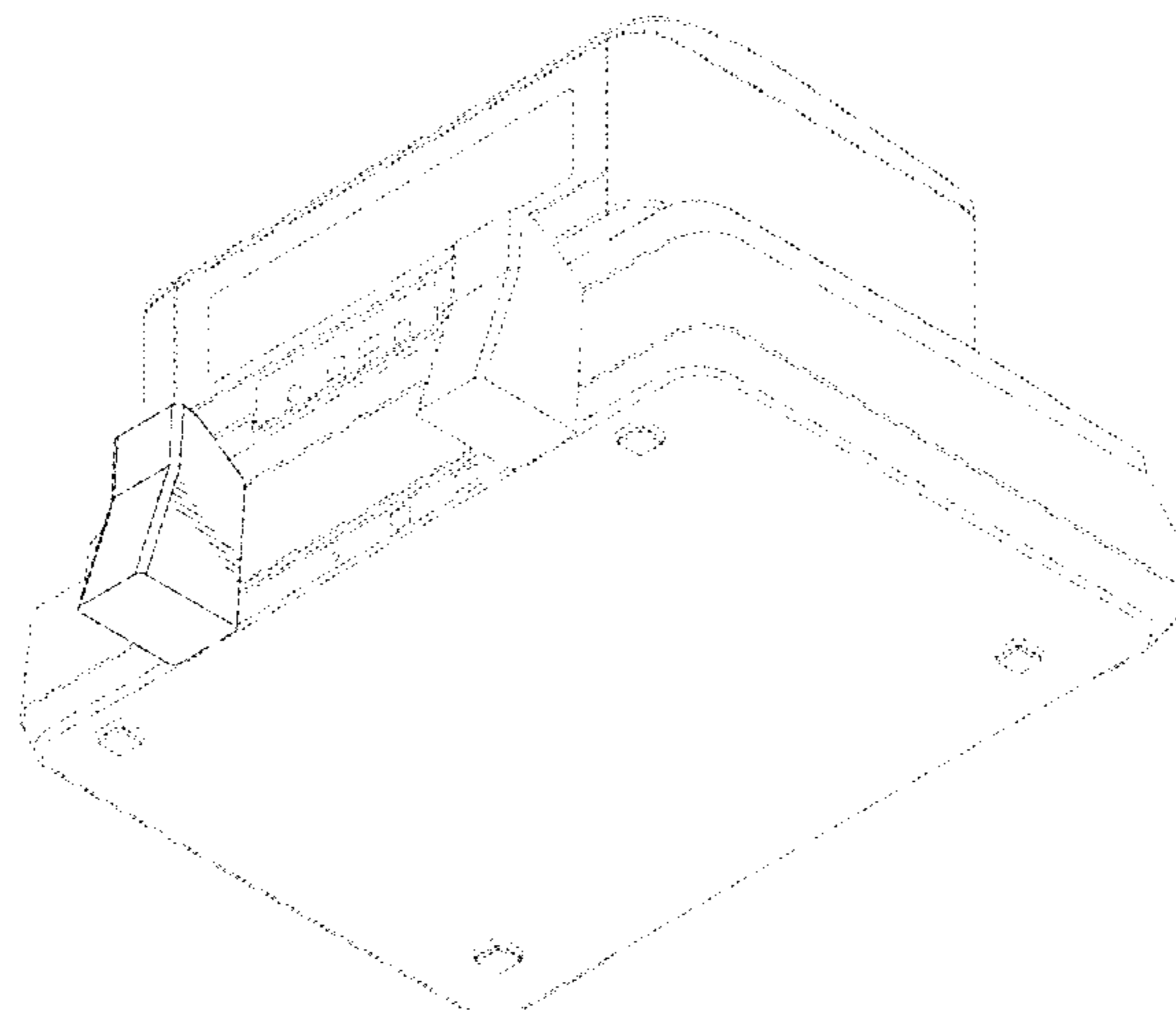
The ornamental design for a support for scanner, as shown and described.

DESCRIPTION

CPC H04N 1/00; H04N 1/12; H04N 1/00013;
H04N 1/00015; H04N 1/00018; H04N 1/00026;
H04N 1/00557; H04N 1/00564; H04N 1/00567;
H04N 1/0057; H04N 1/00572; H04N 1/00586;
H04N 1/00588; H04N 1/00591; H04N 1/00594;
H04N 1/00596; H04N 1/00604; H04N 1/00519;
H04N 1/00559; H04N 1/1013; H04N 1/10;
H04N 1/00551; H04N 1/00278; H04N 2201/0081;
H04N 2201/0456; H04N 2201/0446; H04N 2201/00;
H04N 2201/0094; H04N 1/00525; H04N 1/0049;
H04N 1/00493; H04N 1/00496; H04N 1/00527;
H04N 1/0053; H04N 1/00533; H04N 1/00535;
H04N 1/00538; H04N 1/00541; H04N 1/00543;
H04N 1/00037; H04N 1/00092; H04N 1/00702;

FIG. 1 is a top, front, right side perspective view of a support for scanner showing our new design;
FIG. 2 is a bottom, rear, left side perspective view thereof;
FIG. 3 is a front elevation view thereof;
FIG. 4 is a rear elevation view thereof;
FIG. 5 is a left side elevation view thereof;
FIG. 6 is a right side elevation view thereof;
FIG. 7 is a top plan view thereof;
FIG. 8 is a bottom plan view thereof;
FIG. 9 is a bottom, rear, left side perspective view of the support for scanner, shown in a condition of use; and,
FIG. 10 is a right side elevation view of the support for scanner, shown in another condition of use.
The broken line showing of a device in arrangement with the support for scanner in FIGS. 9 and 10 illustratively depicts

(Continued)



an exemplary in-use element that forms no part of the design claim but is included to show the invention in context.

1 Claim, 10 Drawing Sheets

(58) Field of Classification Search

CPC 15/605; G03G 15/602; B65H 5/26; B65H
5/30; B65H 7/00; B65H 2402/515; B65H
2402/31; B65H 2511/20; B65H 2511/414;
B65H 2511/00194; B65H 2511/00198;
B65H 2511/00202; B65H 2511/00206;
B65H 2301/00; B65H 2220/04; B65H
3/5261; B65H 2513/42

See application file for complete search history.

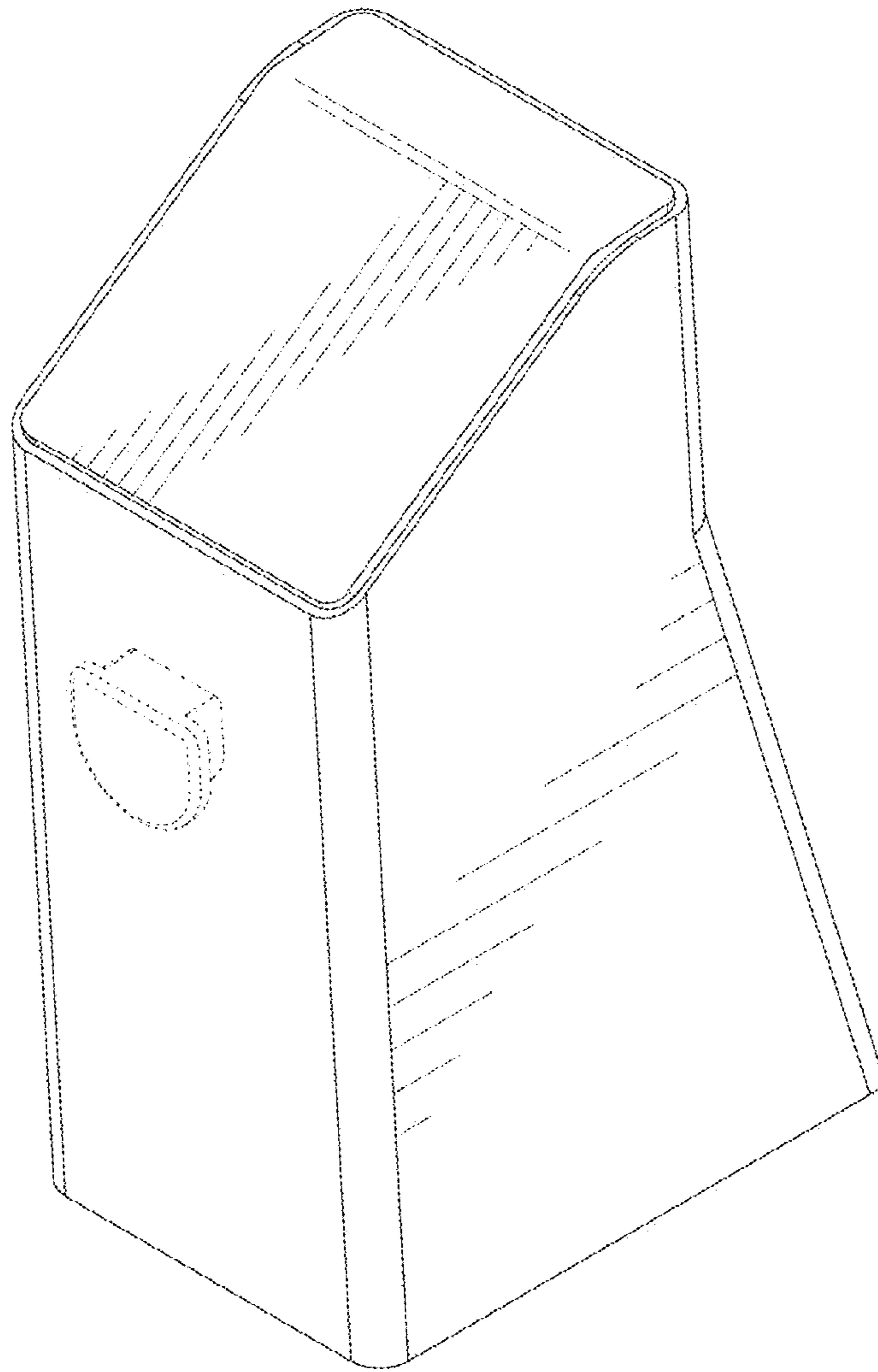


FIG. 1

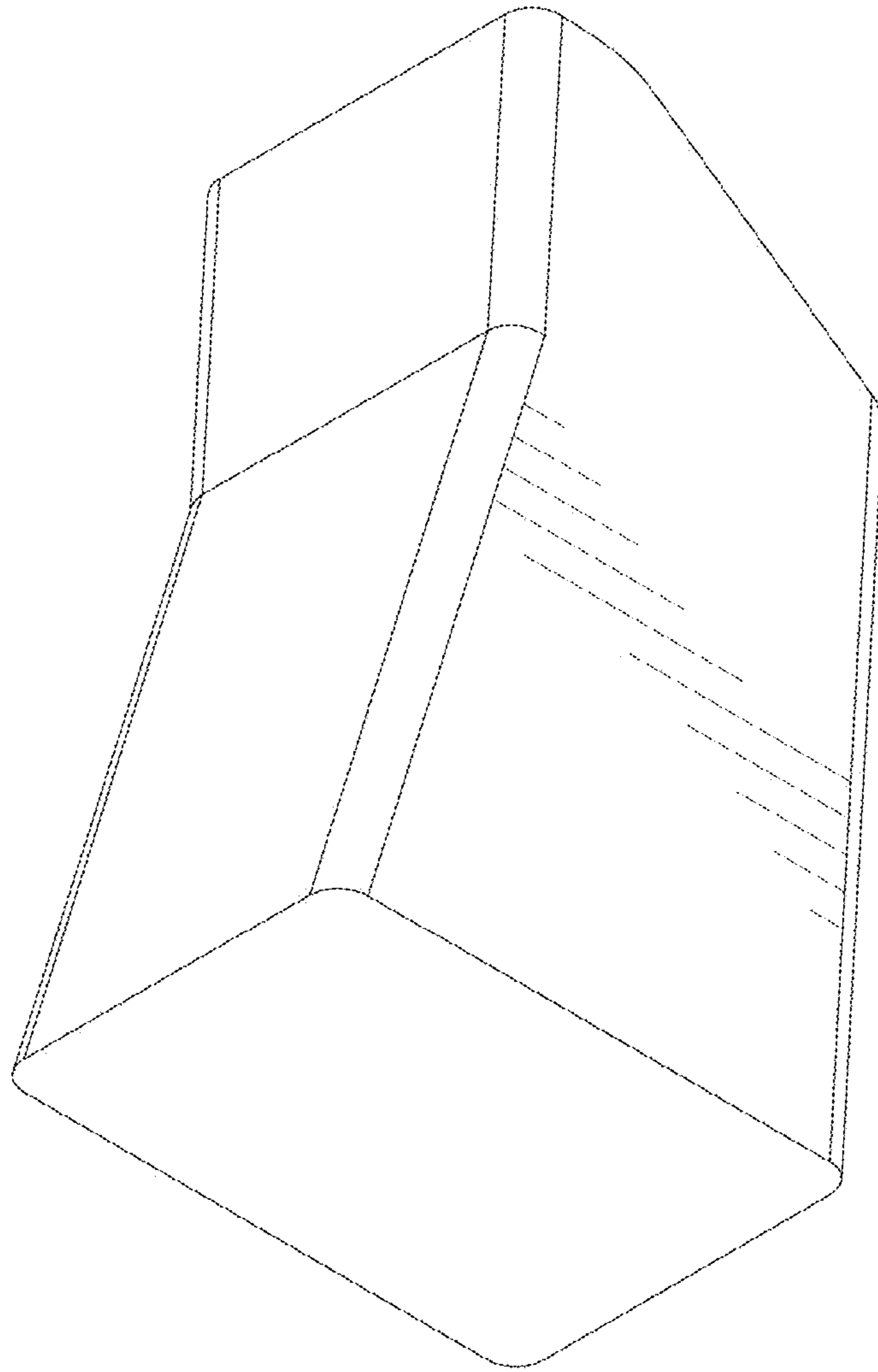


FIG. 2

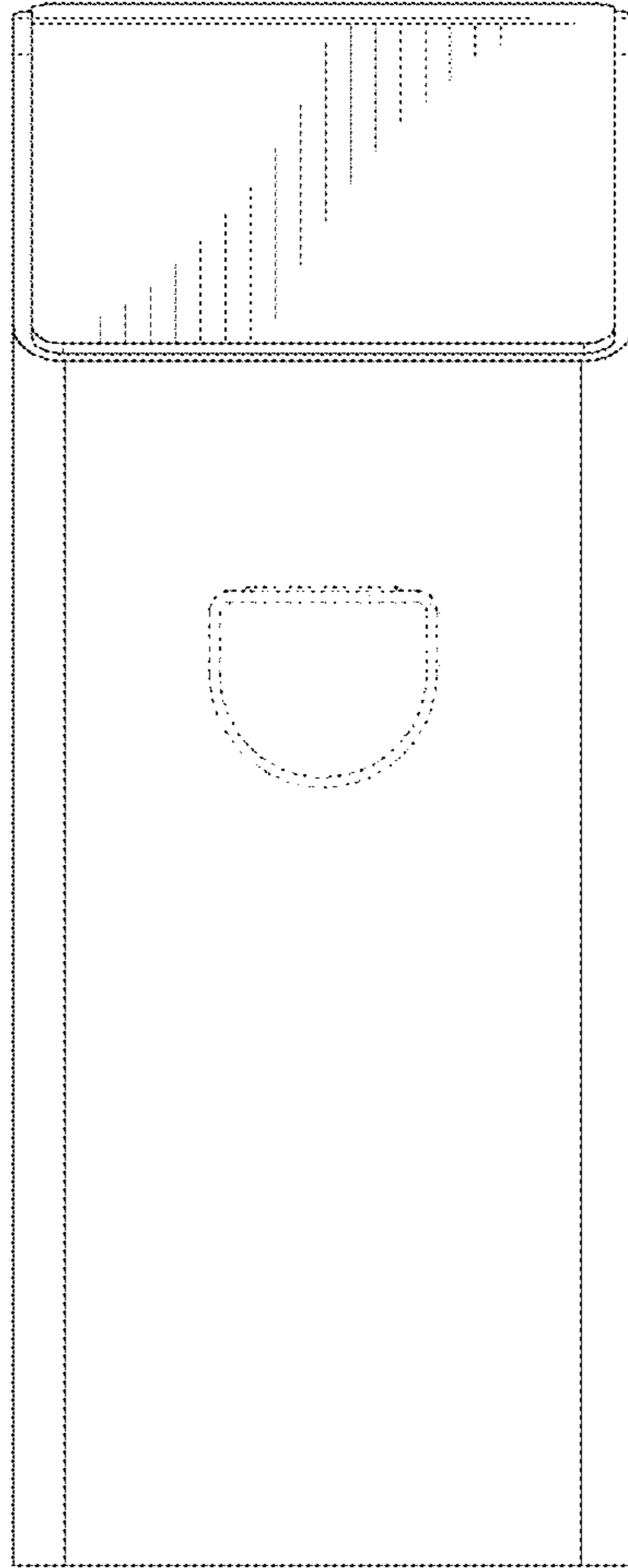


FIG. 3

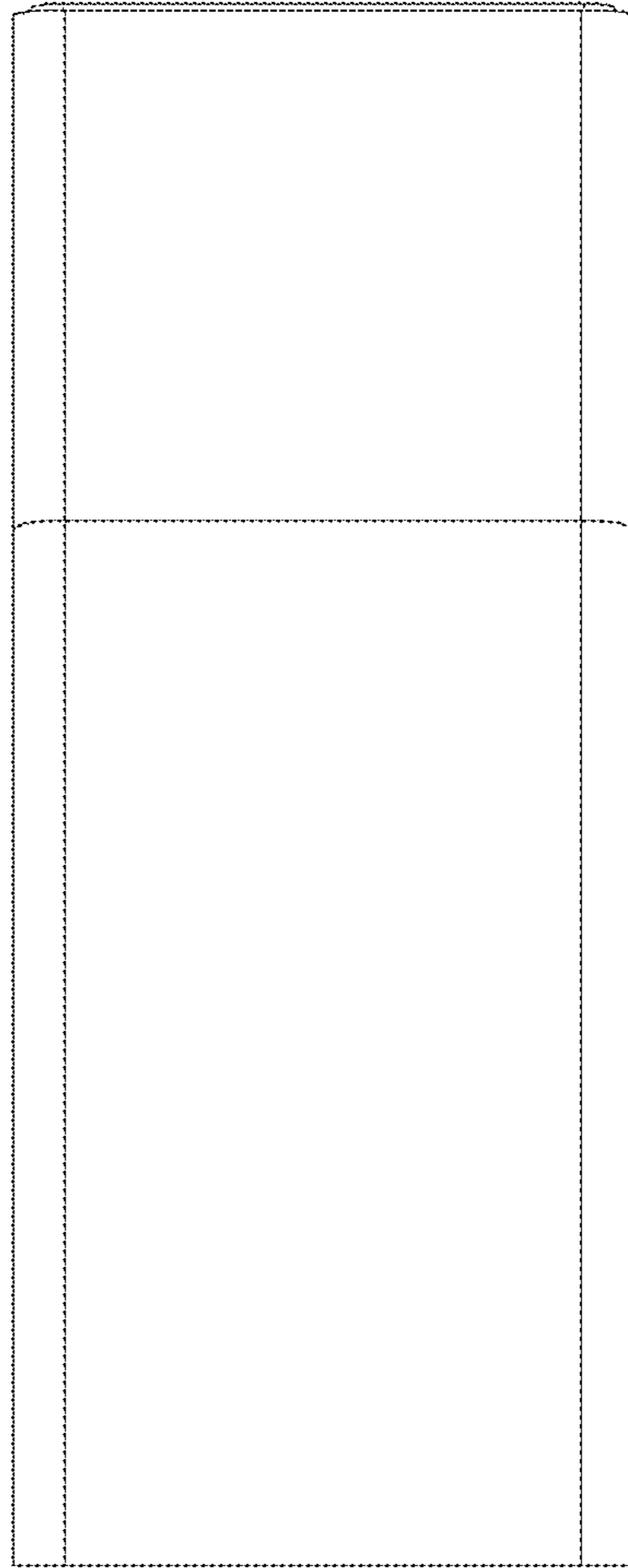


FIG. 4

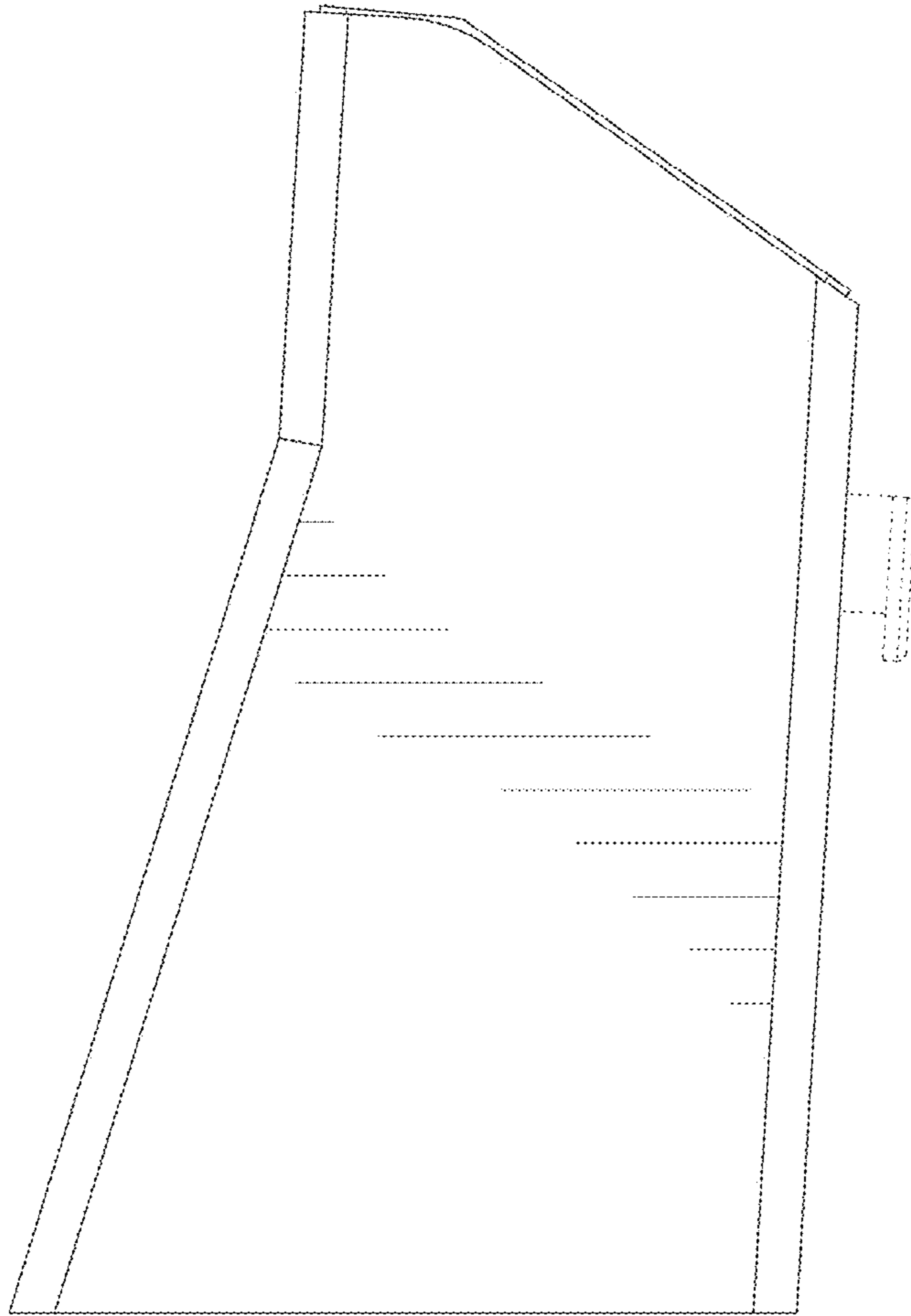


FIG. 5

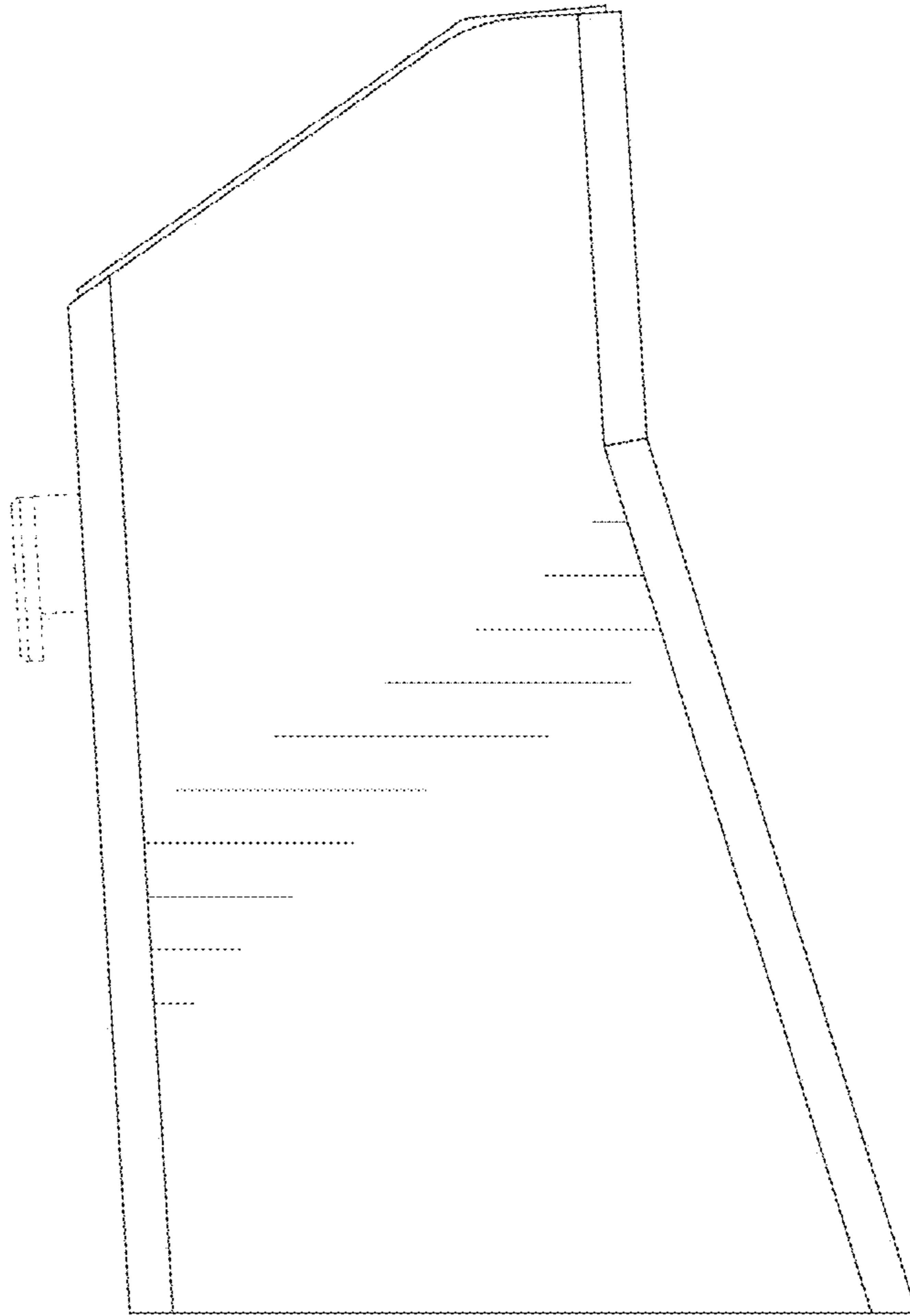


FIG. 6

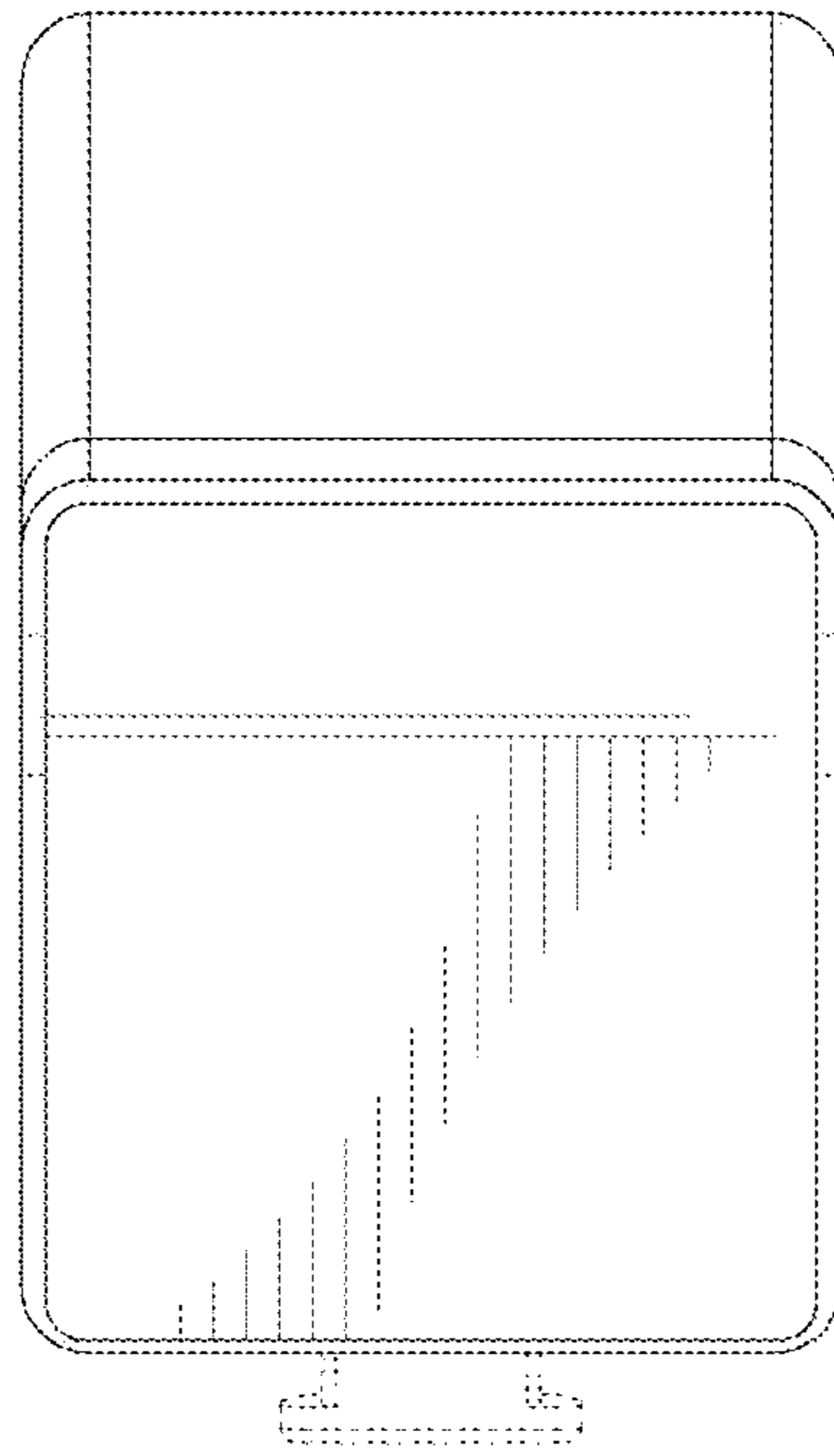


FIG. 7



FIG. 8

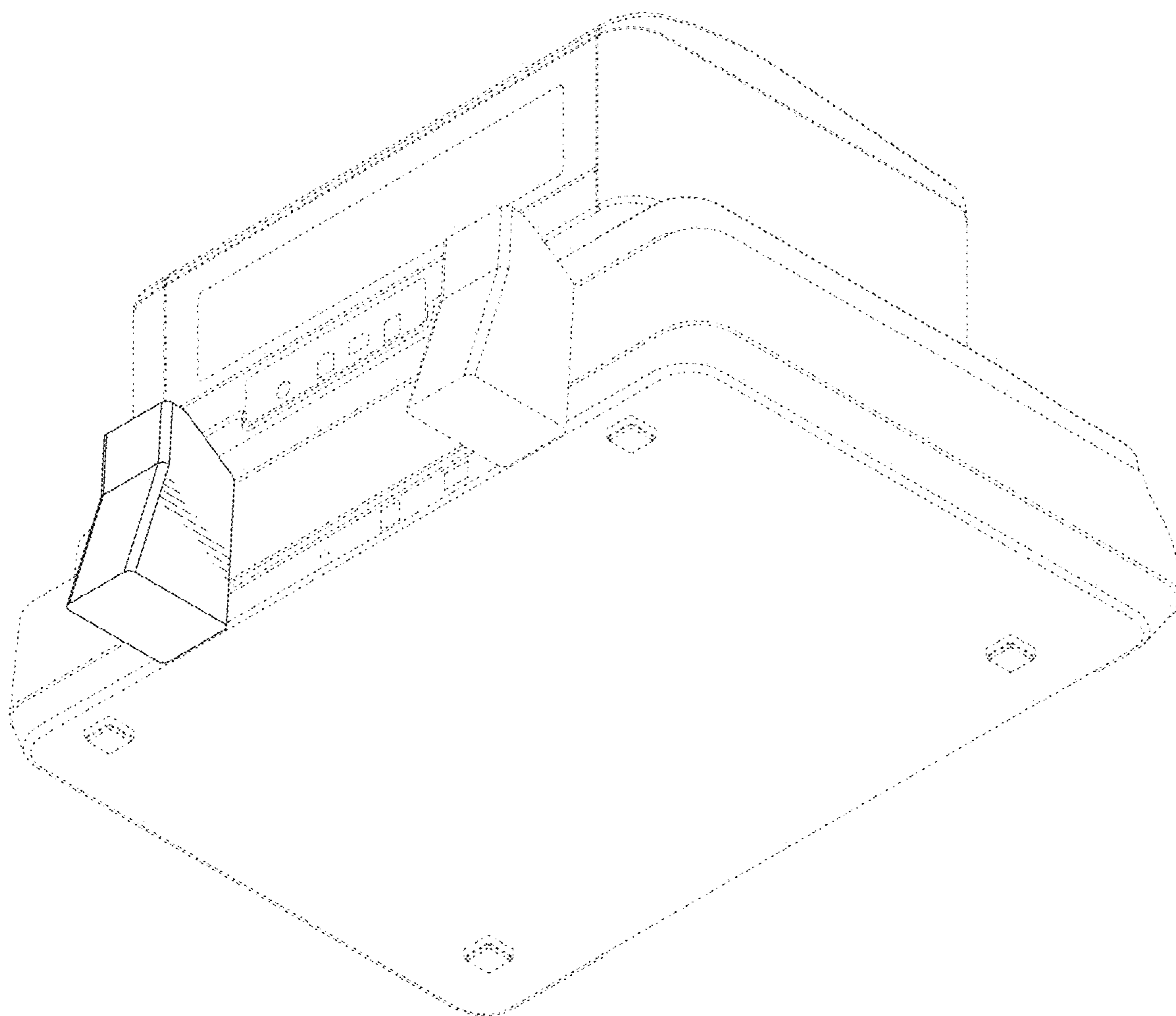


FIG. 9

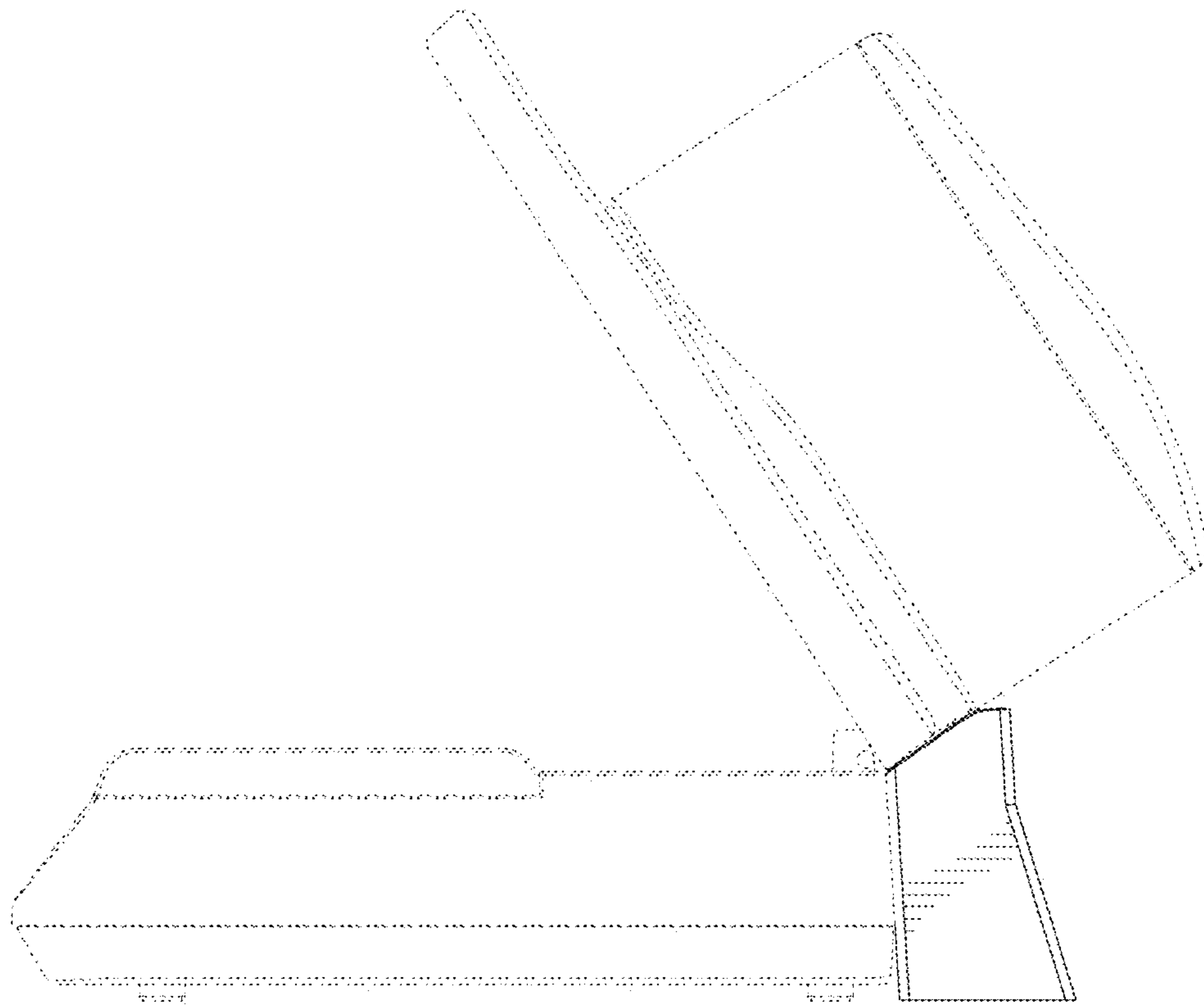


FIG. 10