



US00D953340S

(12) **United States Design Patent**  
**Huang**

(10) **Patent No.:** **US D953,340 S**

(45) **Date of Patent:** **\*\* May 31, 2022**

(54) **TABLET HOLDER**

(71) Applicant: **Daping Huang**, Henan Province (CN)

(72) Inventor: **Daping Huang**, Henan Province (CN)

(\*\*) Term: **15 Years**

(21) Appl. No.: **29/759,940**

(22) Filed: **Nov. 26, 2020**

(51) **LOC (13) Cl.** ..... **14-02**

(52) **U.S. Cl.**  
USPC ..... **D14/447**

(58) **Field of Classification Search**  
USPC ..... D14/447, 432, 434, 439, 440, 451, 452,  
D14/457, 239, 253, 250; D8/363, 373,  
D8/380; D6/406.3, 406.4, 406.5, 406.6;  
D12/415; D21/333, 332  
CPC ..... A47B 21/04; A47B 2097/006; A47B  
2097/005; A47B 2023/049; A45C  
2011/002; A45C 2011/003; F16M  
2200/00; F16M 13/00

See application file for complete search history.

(56) **References Cited**

**U.S. PATENT DOCUMENTS**

D589,964 S \* 4/2009 Heggland ..... D14/434  
D626,964 S \* 11/2010 Richardson ..... D14/447

D804,490 S \* 12/2017 Wei ..... D14/447  
D903,688 S \* 12/2020 Hong ..... D14/447  
D907,644 S \* 1/2021 Li ..... D14/447  
D915,414 S \* 4/2021 Yang ..... D14/447  
D920,338 S \* 5/2021 Chen ..... D14/447  
D931,289 S \* 9/2021 Jin ..... D14/447  
D938,433 S \* 12/2021 Huang ..... D14/447  
D944,807 S \* 3/2022 Luo ..... D14/447  
D944,808 S \* 3/2022 Wang ..... D14/447  
D944,809 S \* 3/2022 Wang ..... D14/447

\* cited by examiner

*Primary Examiner* — Angela J Lee

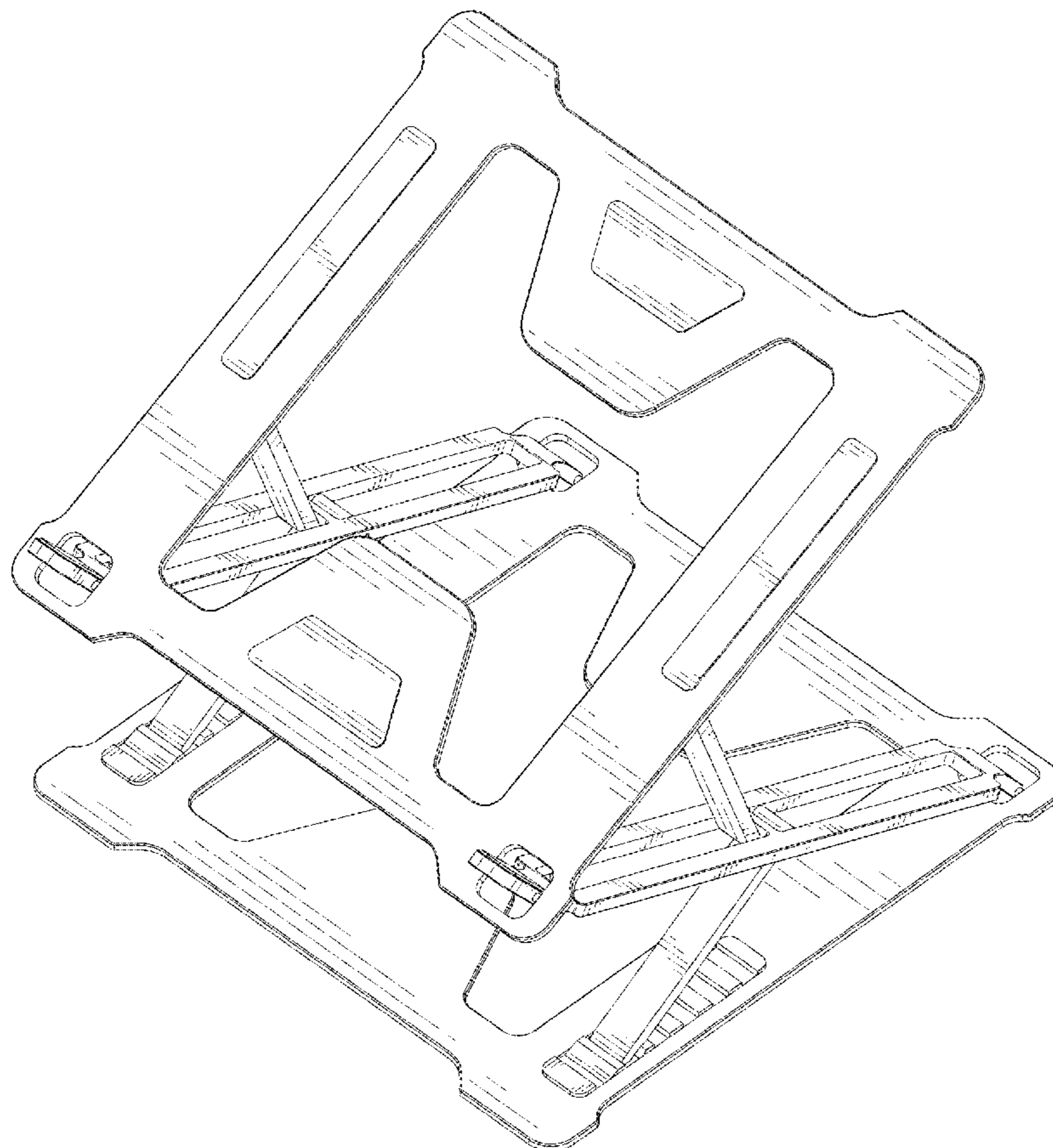
(57) **CLAIM**

The ornamental design for a tablet holder, as shown and described.

**DESCRIPTION**

FIG. 1 is a front and top perspective view of a tablet holder, showing my new design;  
FIG. 2 is a rear and bottom perspective view thereof;  
FIG. 3 is a front elevational view thereof;  
FIG. 4 is a rear elevational view thereof;  
FIG. 5 is a left side elevational view thereof;  
FIG. 6 is a right side elevational view thereof;  
FIG. 7 is a top plan view thereof; and,  
FIG. 8 is a bottom plan view thereof.  
The broken lines in the figures illustrate portions of the article that form no part of the claimed design.

**1 Claim, 8 Drawing Sheets**



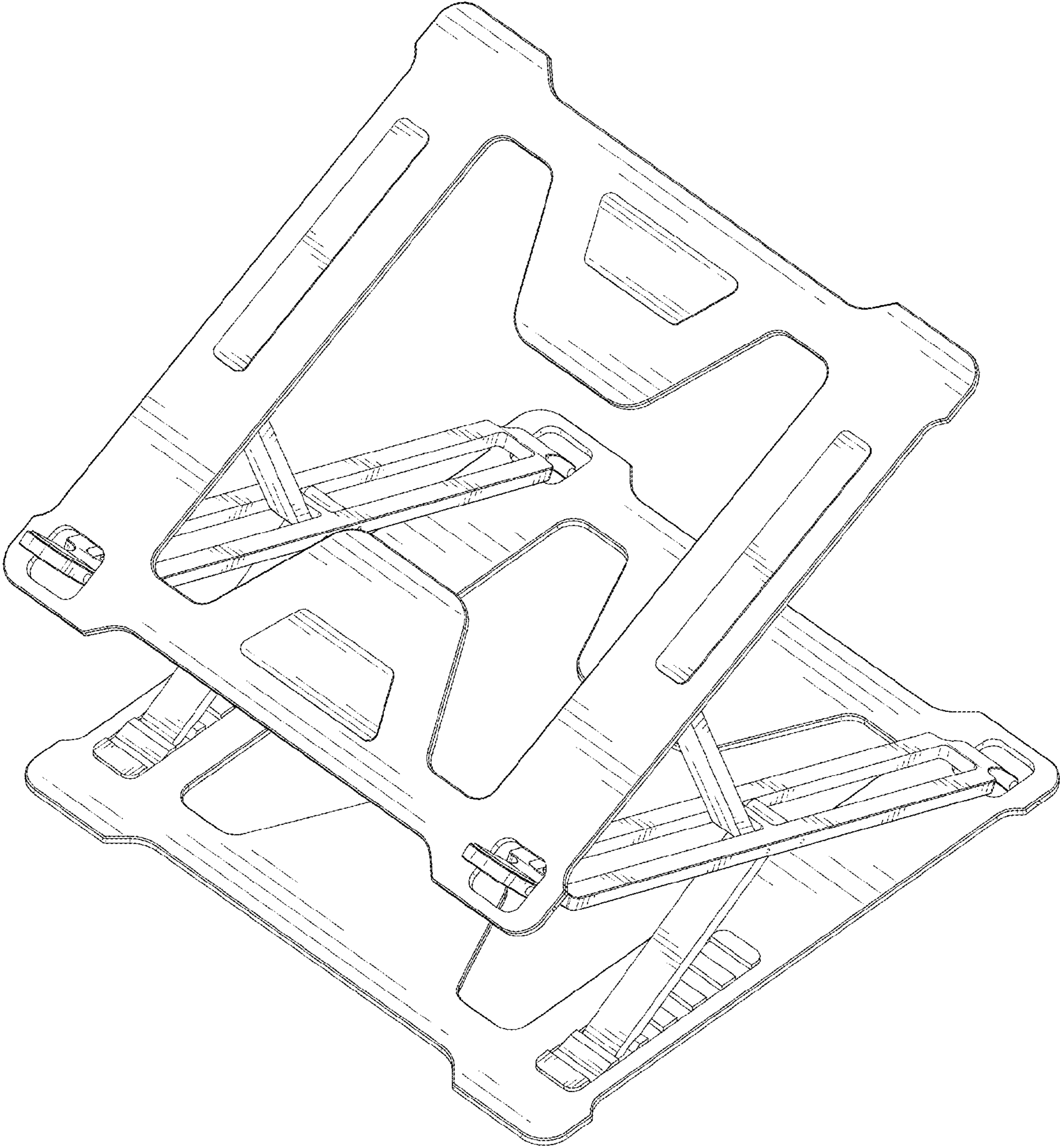


FIG. 1

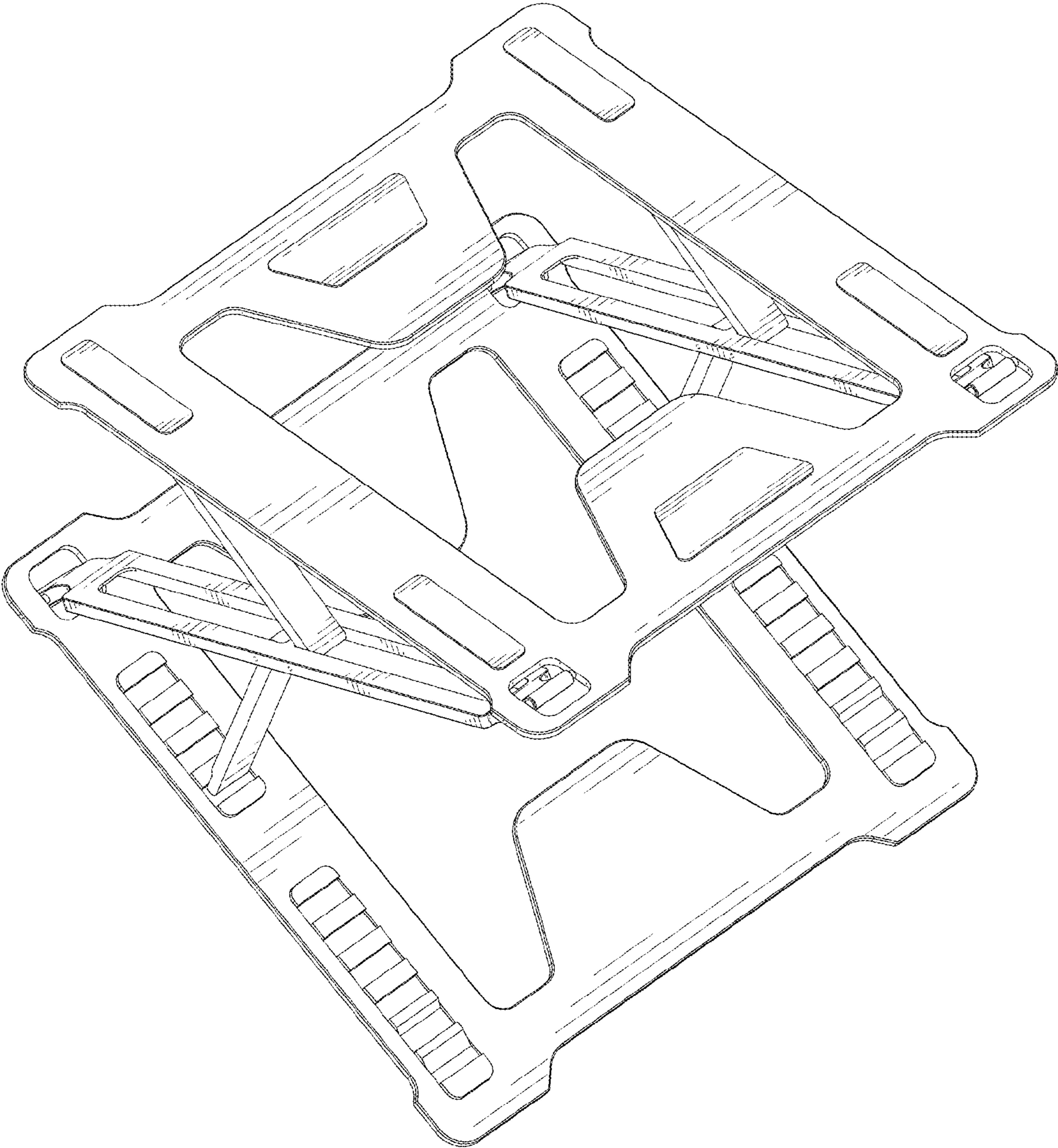


FIG. 2

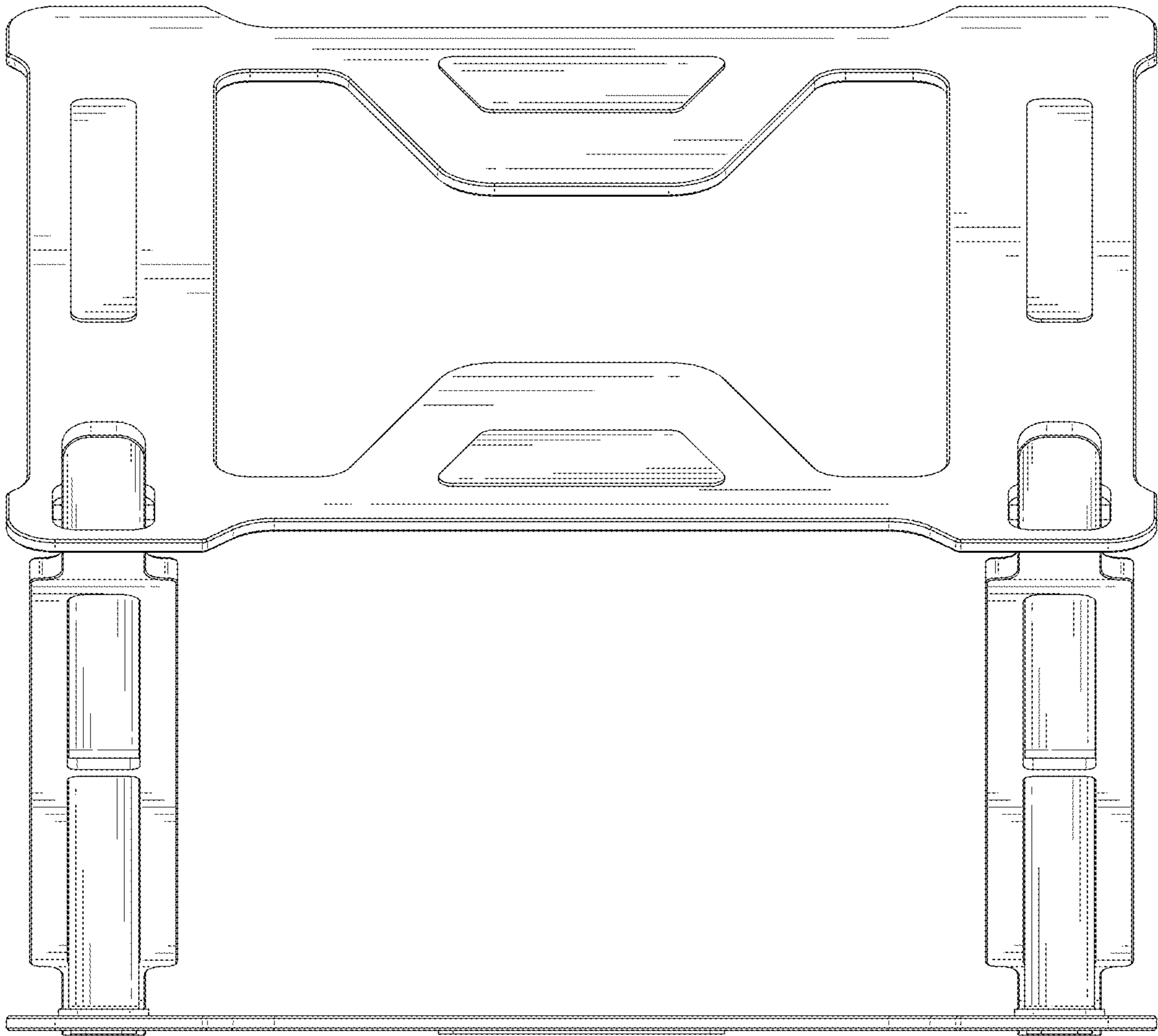


FIG. 3

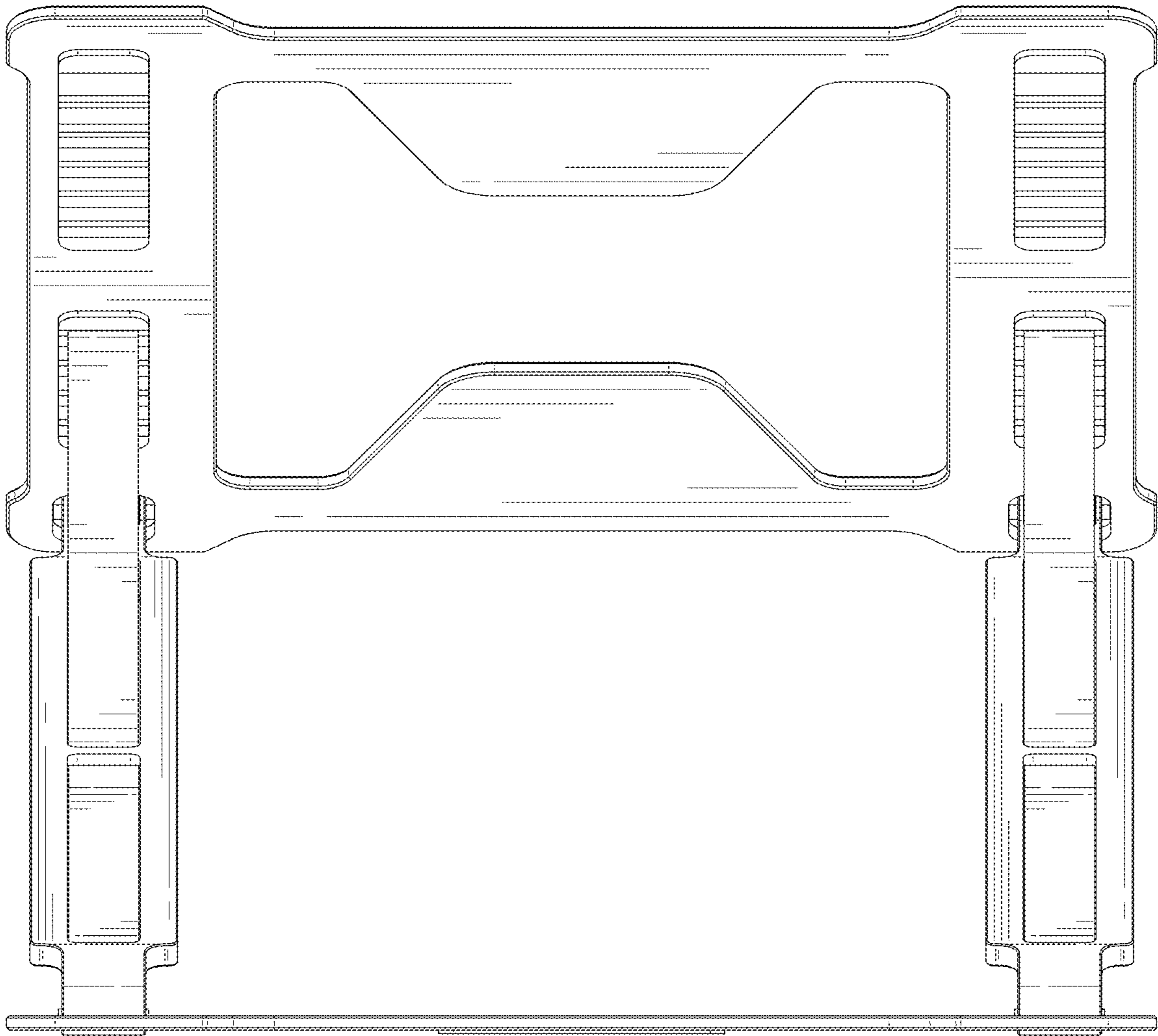


FIG. 4

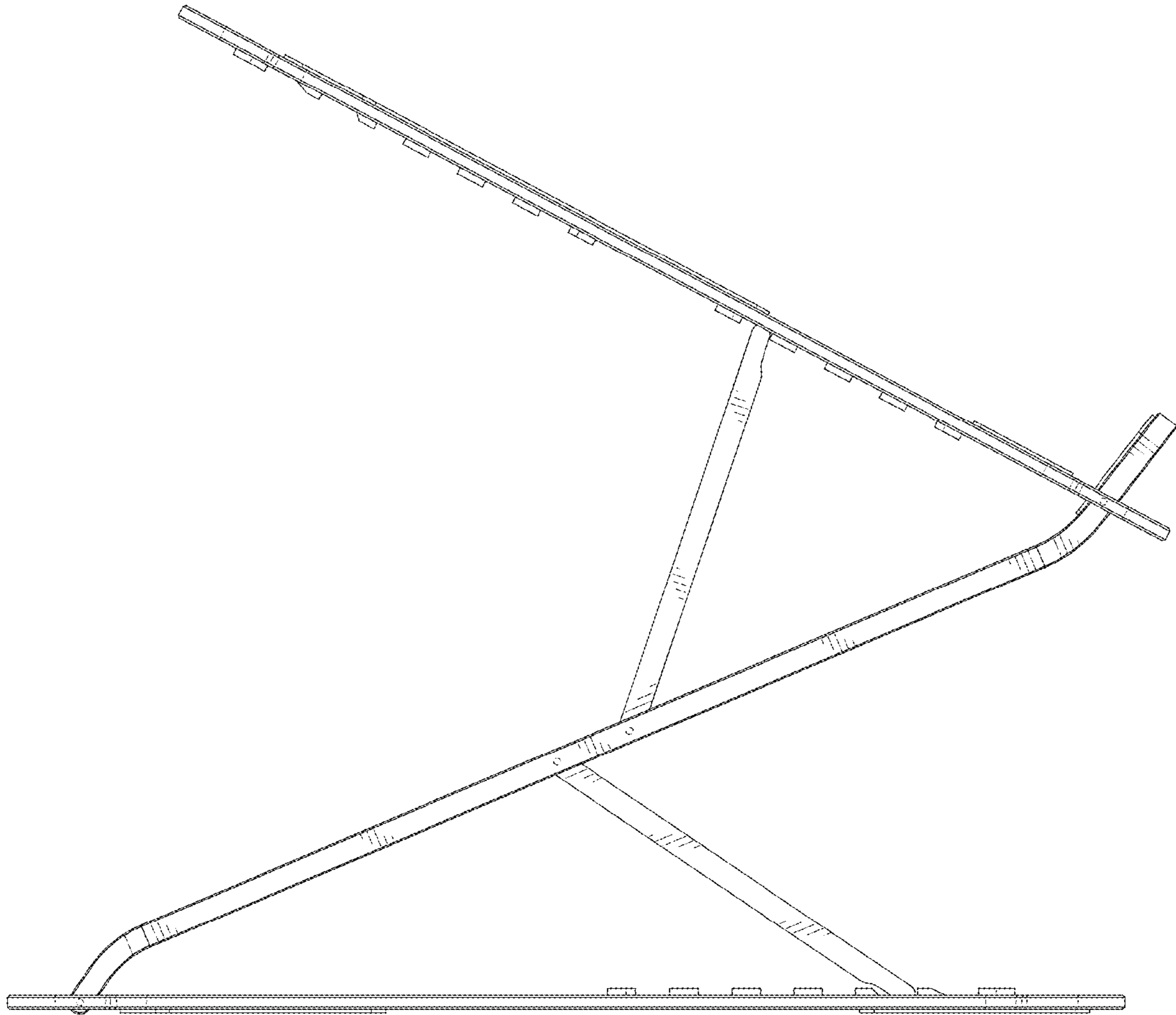


FIG. 5

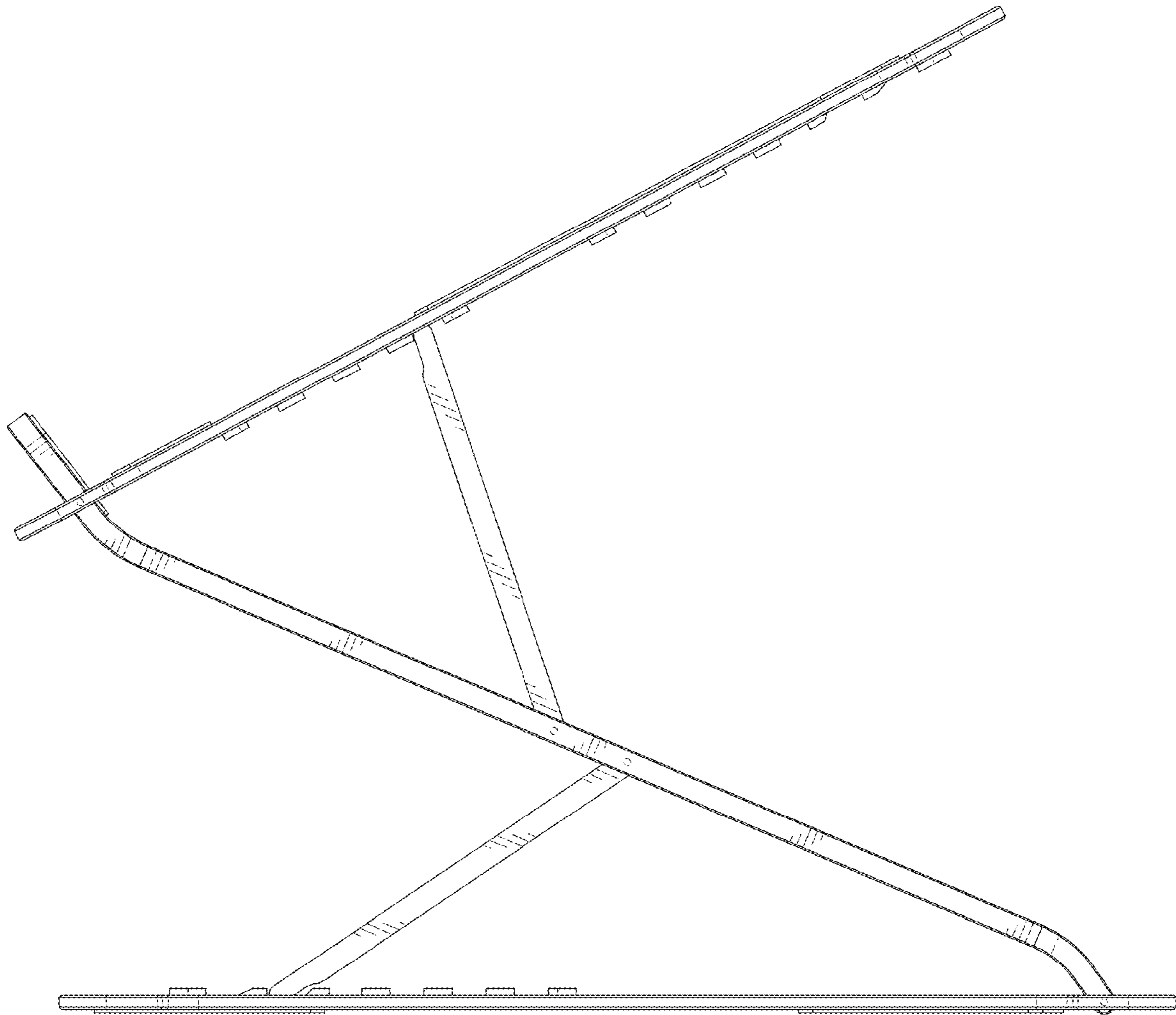


FIG. 6



FIG. 7



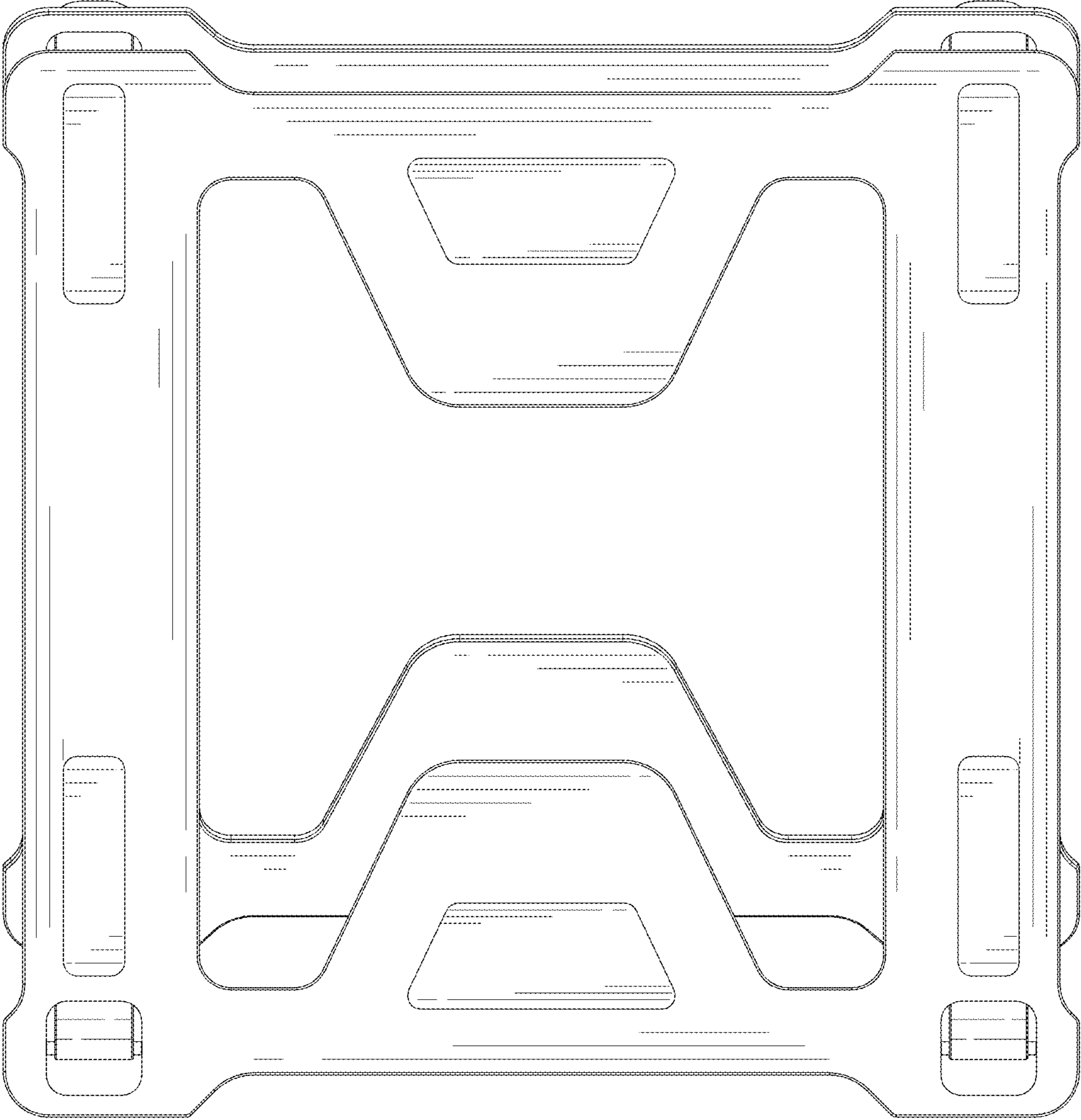


FIG. 8