



US00D953339S

(12) **United States Design Patent**
Park et al.

(10) **Patent No.:** **US D953,339 S**

(45) **Date of Patent:** **** May 31, 2022**

(54) **INFORMATION HANDLING SYSTEM BEZEL**

(71) Applicant: **Dell Products L.P.**, Round Rock, TX (US)

(72) Inventors: **Kyu Sang Park**, Austin, TX (US);
Duck Soo Choi, Austin, TX (US)

(73) Assignee: **Dell Products L.P.**, Round Rock, TX (US)

(**) Term: **15 Years**

(21) Appl. No.: **29/690,147**

(22) Filed: **May 6, 2019**

(51) **LOC (13) Cl.** **14-02**

(52) **U.S. Cl.**
USPC **D14/441**

(58) **Field of Classification Search**
USPC D14/140.1, 140.2, 140.3, 219, 240, 242,
D14/301-302, 308, 311-312, 348-349,
D14/351-359, 440-442, 444-446, 450;
D13/103, 110-112, 122, 158-160, 184,
D13/179; D23/193, 209, 224, 364-366,
(Continued)

(56) **References Cited**

U.S. PATENT DOCUMENTS

1,440,358 A * 12/1922 Whetstone D21J 1/16
428/169
D243,252 S * 2/1977 Tushinsky D14/219
D281,969 S * 12/1985 Moeller D13/179

(Continued)

FOREIGN PATENT DOCUMENTS

CN 305920790 * 7/2020

OTHER PUBLICATIONS

OptiPlex3080 Small Form Factor, Dell, dell.com, author and date
unlisted © 2021 Dell, online, site visited Mar. 15, 2021. Available

at URL: <https://www.dell.com/en-us/work/shop/desktops-all-in-one-pcs/optiplex-3080-small-form-factor/spd/optiplex-3080-desktop/s017o3080sffus> (Year: 2021).*

(Continued)

Primary Examiner — Sandra Snapp

Assistant Examiner — Altaira J Swangin

(74) *Attorney, Agent, or Firm* — Zagorin Cave LLP;
Robert W. Holland

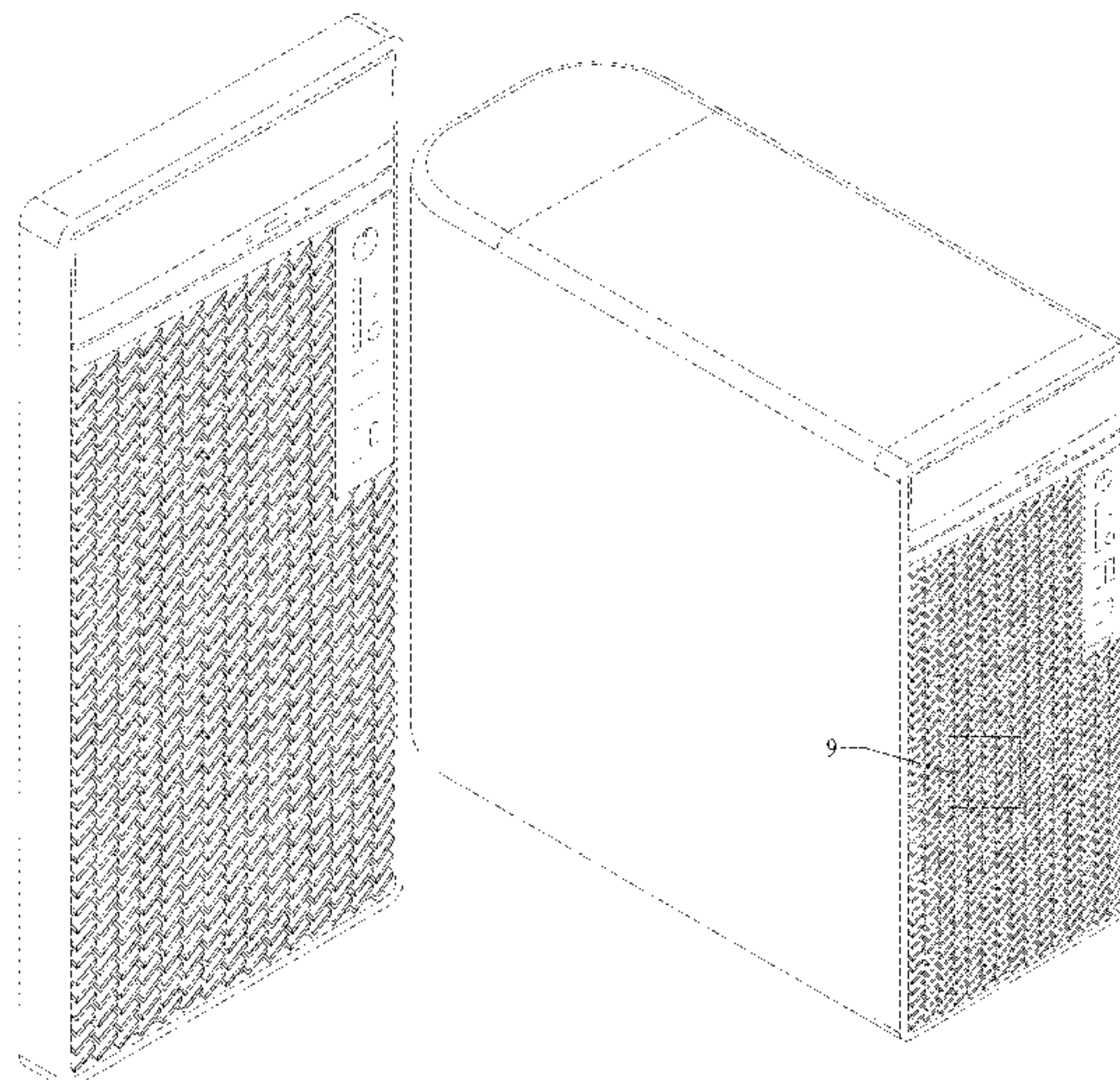
(57) **CLAIM**

The ornamental design for an information handling system bezel, as shown and described.

DESCRIPTION

FIG. 1 is a front perspective view of a first embodiment of an information handling system bezel comprising the present invention;
FIG. 2 is a front elevation view thereof;
FIG. 3 is a rear elevation view thereof;
FIG. 4 is a right side view thereof;
FIG. 5 is a left side view thereof;
FIG. 6 is a top view thereof;
FIG. 7 is a bottom view thereof;
FIG. 8 is another front perspective view shown with the environment of an information handling system;
FIG. 9 is an enlarged detail view of the area identified as '9' in FIG. 8; and,
FIG. 10 is a front perspective view of a second embodiment. Broken lines shown in the drawings illustrate portions of the information handling system bezel, and form no part of the claimed design. The broken lines in FIG. 8, showing an information handling system bezel, illustrate environment and form no part of the claimed design. The broken lines showing detail views in FIGS. 8 and 9 are for annotative purposes and form no part thereof.

1 Claim, 8 Drawing Sheets



(58) **Field of Classification Search**
 USPC D23/388, 392, 449-450; D25/123, 125,
 D25/138, 152
 CPC . G06F 1/181; H05K 5/00; H05K 5/03; H05K
 5/04; F28F 3/02; F28F 2215/00; F28F
 3/025; F28F 3/027; F28F 2215/08; F28F
 3/046; F28F 2009/0292; F28F 1/126;
 F28F 1/128; F28F 2215/02
 See application file for complete search history.

(56) **References Cited**

U.S. PATENT DOCUMENTS

D284,076 S * 6/1986 Moeller D13/123
 5,150,278 A * 9/1992 Lynes H02G 15/117
 165/80.3
 D395,713 S * 6/1998 Schrottenboer D25/152
 5,771,153 A * 6/1998 Sheng H01L 23/4093
 165/185
 5,946,190 A * 8/1999 Patel F28F 3/02
 361/700
 6,480,386 B1 * 11/2002 Yu H01L 23/4093
 165/185
 D484,468 S * 12/2003 Lee D13/179
 D484,854 S * 1/2004 Lee D13/179
 D484,855 S * 1/2004 Lee D13/179
 D485,241 S * 1/2004 Lee D13/179
 D569,012 S * 5/2008 Ellis D25/138
 D601,720 S * 10/2009 Gleeson D25/125
 D603,533 S * 11/2009 Gleeson D25/125
 D608,020 S * 1/2010 Gleeson D25/125
 D609,824 S * 2/2010 Gleeson D25/125
 D617,748 S * 6/2010 Chiang D13/179
 7,909,087 B2 * 3/2011 Kimura F28F 13/02
 165/80.3

8,291,965 B2 * 10/2012 Wayman H01L 23/3672
 165/80.3
 D672,729 S * 12/2012 Lin D13/179
 D689,854 S * 9/2013 Morton et al.
 D763,246 S * 8/2016 Jasinski et al.
 D783,164 S * 4/2017 Tanaka D24/138
 D814,461 S * 4/2018 Latta et al.
 D816,659 S * 5/2018 Latta et al.
 D816,669 S * 5/2018 Jasinski et al.
 D822,020 S * 7/2018 Latta et al.
 D852,512 S * 7/2019 Toelke D5/59
 D883,193 S * 5/2020 Catania D13/102
 D887,965 S * 6/2020 Catania D13/102
 D887,966 S * 6/2020 Catania D13/102
 D918,160 S * 5/2021 Yang D13/179
 D934,862 S * 11/2021 Choi D14/354
 D934,870 S * 11/2021 Draca D14/444
 D934,871 S * 11/2021 Draca D14/444
 D938,858 S * 12/2021 Mussini D11/140
 2009/0168355 A1 * 7/2009 Ma H01L 23/4006
 361/709
 2009/0321060 A1 * 12/2009 Chou F28F 1/022
 165/185
 2017/0241721 A1 * 8/2017 Liang F28F 3/048
 2018/0177084 A1 * 6/2018 Hsieh B23P 19/04

OTHER PUBLICATIONS

ARC Cool Fin, ARC International, superstreetonline.com, author
 unlisted, published on May 1, 2008 © 2021 Super Street Online,
 online, site visited Apr. 23, 2021. Available at URL: <http://www.superstreetonline.com/how-to/aftermarket-parts/0805-turp-arc-cool-fin>
 (Year: 2008).*

* cited by examiner

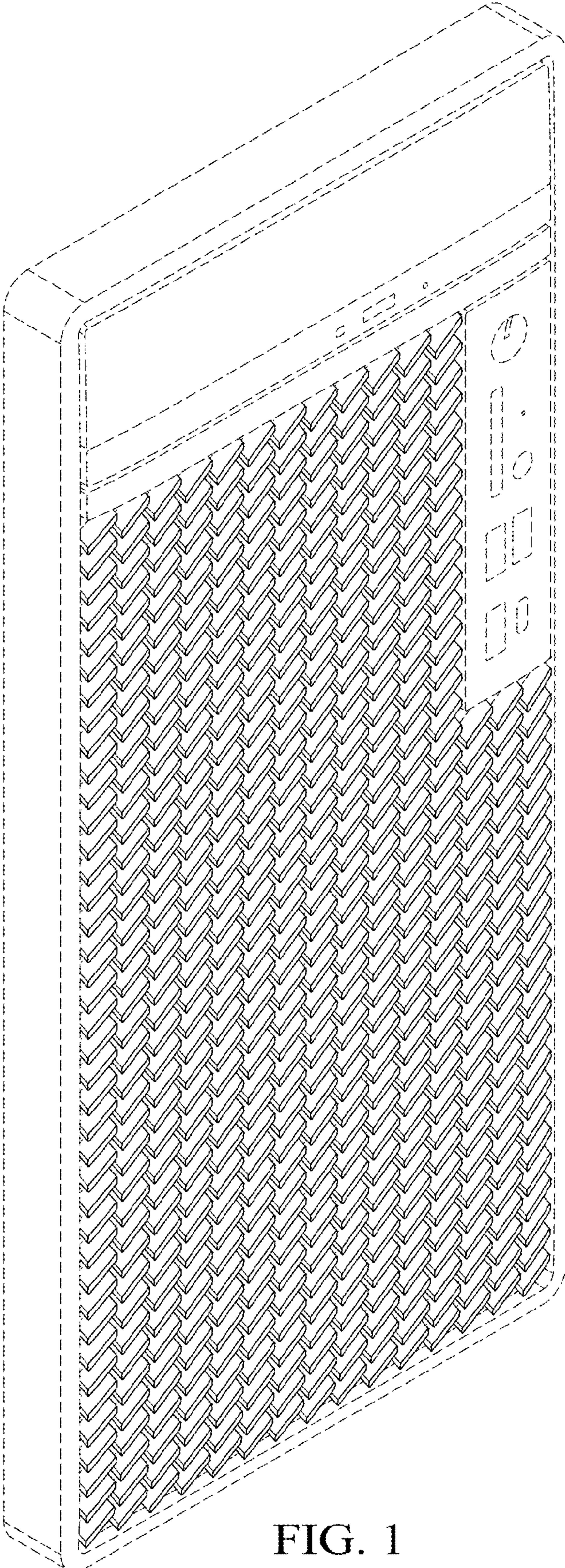


FIG. 1

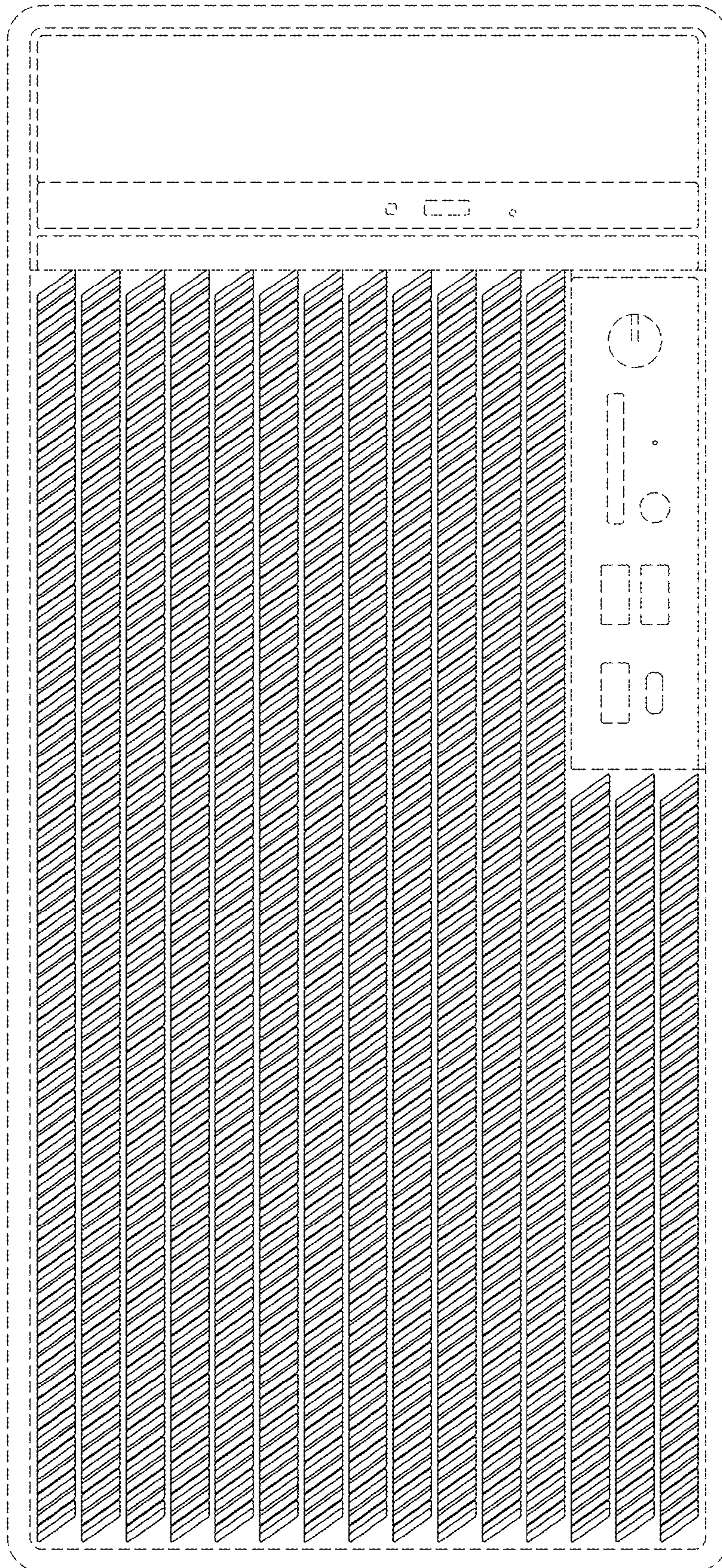


FIG. 2



FIG. 3

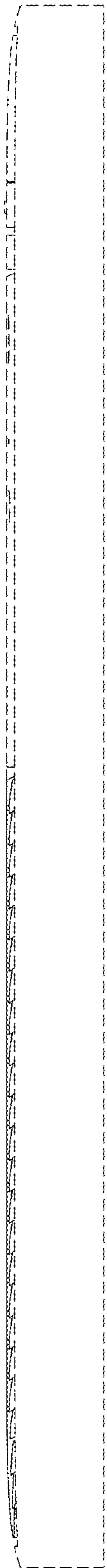


FIG. 4

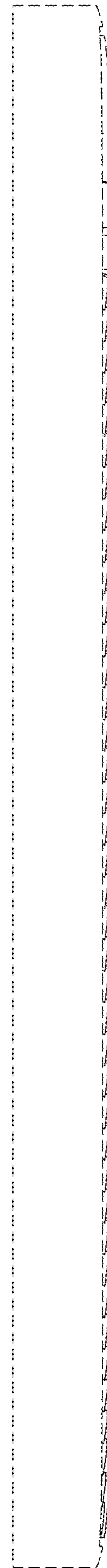


FIG. 5



FIG. 6

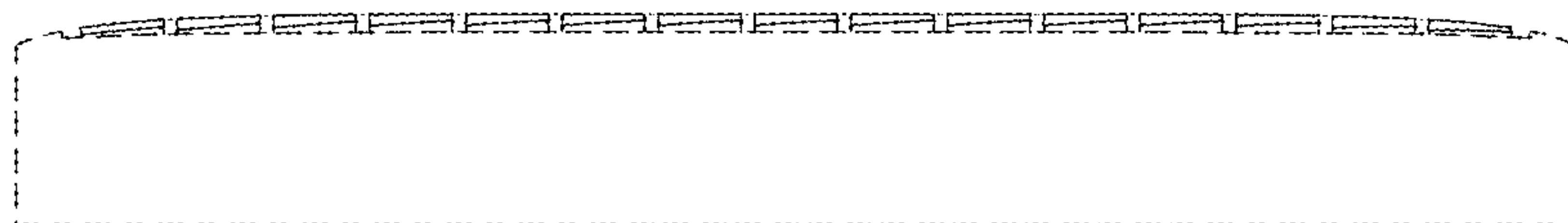


FIG. 7

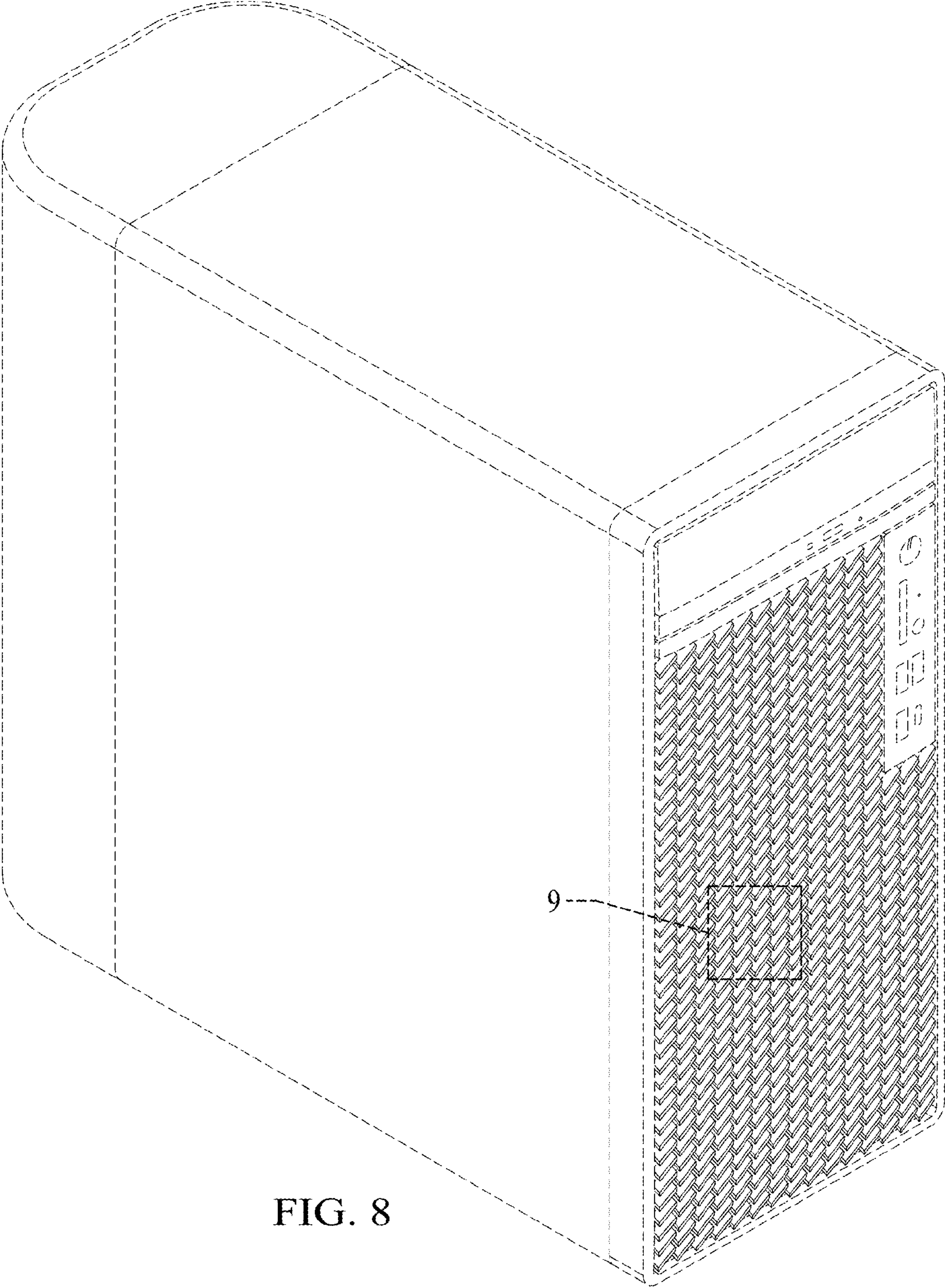


FIG. 8

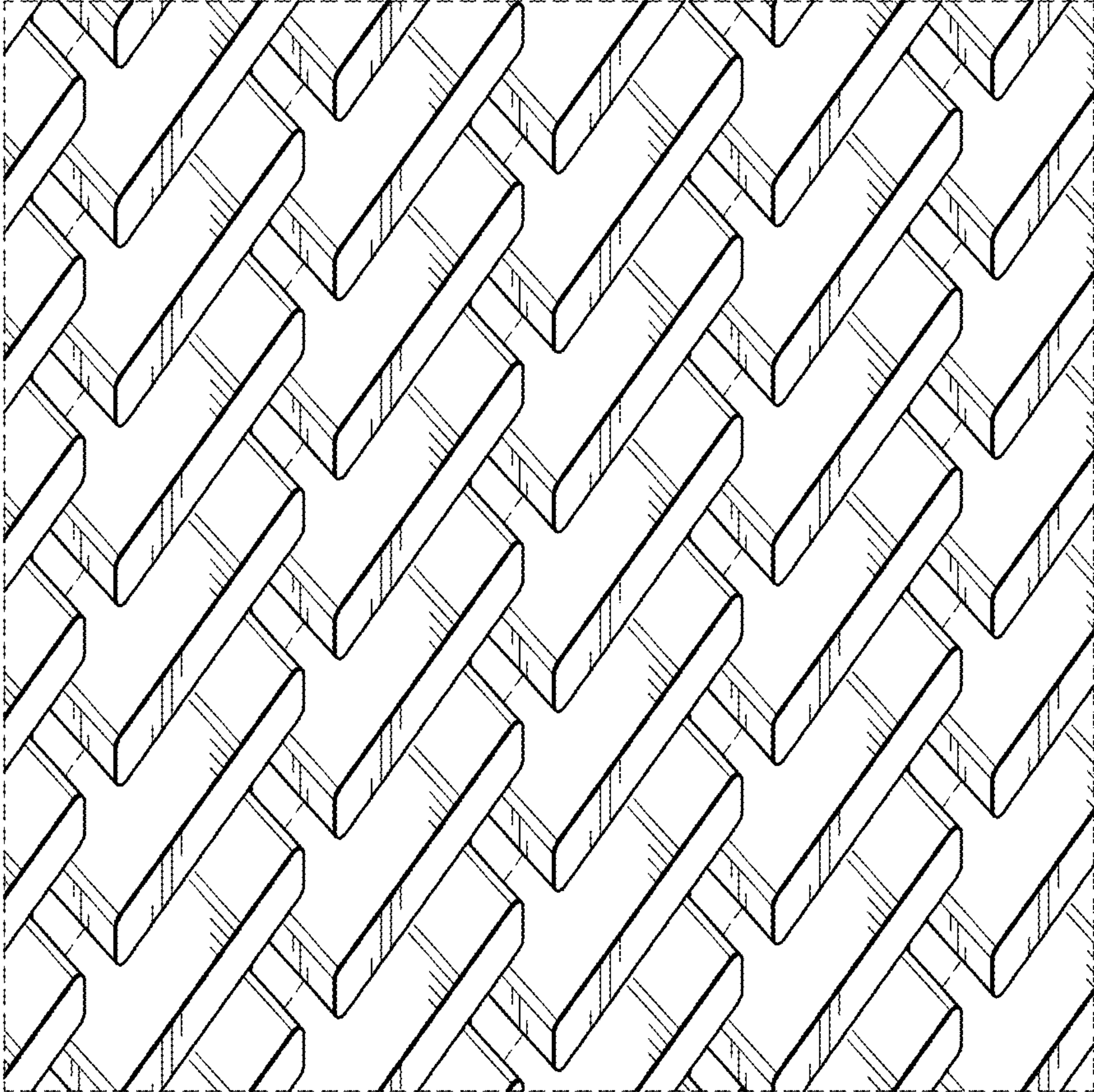


FIG. 9

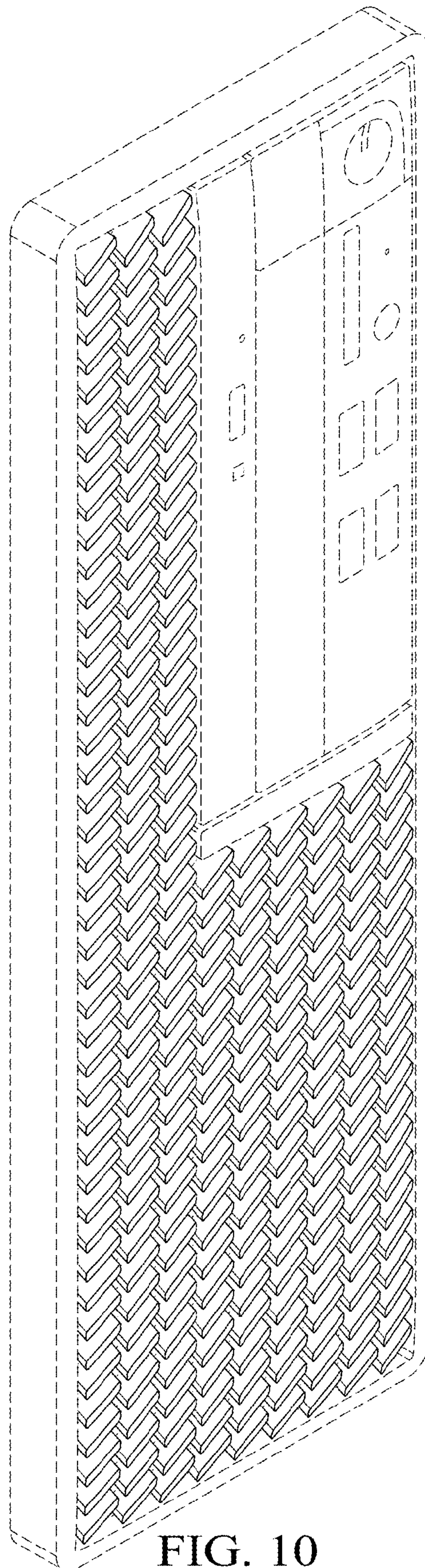


FIG. 10