



US00D953338S

(12) **United States Design Patent**
Zhang

(10) **Patent No.:** **US D953,338 S**

(45) **Date of Patent:** **** May 31, 2022**

(54) **MULTI-FUNCTION HUB**

(71) Applicant: **C-Smartlink Information Technology Co., Ltd.**, Shenzhen (CN)

(72) Inventor: **Wenfeng Zhang**, Shenzhen (CN)

(73) Assignee: **C-SMARTLINK INFORMATION TECHNOLOGY CO., LTD.**, Shenzhen (CN)

(**) Term: **15 Years**

(21) Appl. No.: **29/764,579**

(22) Filed: **Dec. 31, 2020**

(51) **LOC (13) Cl.** **14-02**

(52) **U.S. Cl.**
USPC **D14/433**

(58) **Field of Classification Search**
USPC D18/4.4, 4.5, 4.6, 12, 12.1, 12.3;
D14/383, 384, 385, 386, 378
CPC G06K 19/07749; G06K 19/0723; G06K
19/041; G06K 19/07758; G06K 19/0775;
G06K 19/07783; G06K 19/07794; G06K
19/06046; G06K 19/07722; G06K
19/07773; G06K 19/07779; G06K
19/07784; G06K 19/07786; G06K
19/0709

See application file for complete search history.

(56) **References Cited**

U.S. PATENT DOCUMENTS

D828,841 S * 9/2018 Zhang D14/433
D894,190 S * 8/2020 Zhang D14/433

D918,917 S * 5/2021 Wu D14/433
D918,918 S * 5/2021 Wu D14/433
D928,160 S * 8/2021 Liao D14/433
D930,652 S * 9/2021 Lo D14/433
D936,656 S * 11/2021 Liao D14/433
D936,657 S * 11/2021 Zhang D14/433
D937,271 S * 11/2021 Lin D14/433
D938,425 S * 12/2021 Zhang D14/433
D939,507 S * 12/2021 Li D14/433

* cited by examiner

Primary Examiner — Austin Murphy

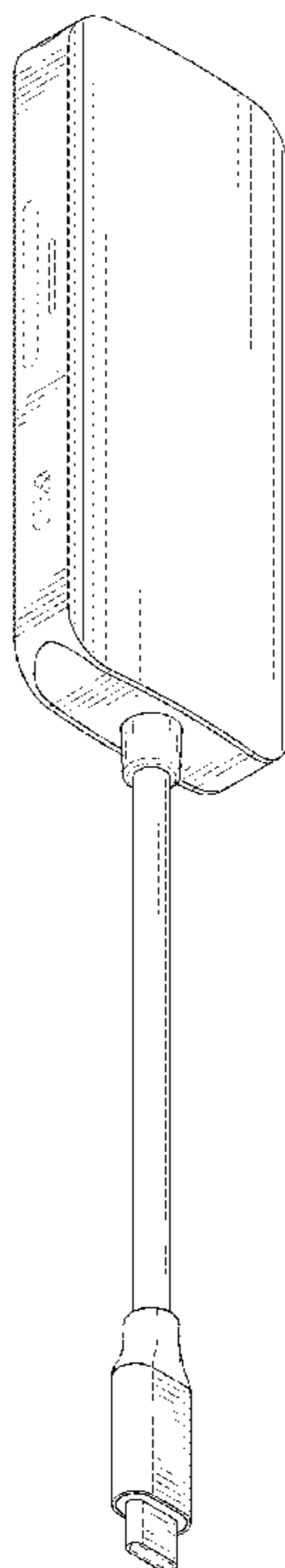
(57) **CLAIM**

The ornamental design for a multi-function hub, as shown and described.

DESCRIPTION

FIG. 1 is a perspective view of a multi-function hub showing my new design;
FIG. 2 is another perspective view thereof;
FIG. 3 is a front elevational view thereof;
FIG. 4 is a rear elevational view thereof;
FIG. 5 is a left side elevational view thereof;
FIG. 6 is a right side elevational view thereof;
FIG. 7 is a top plan view thereof; and,
FIG. 8 is a bottom plan view thereof.
The broken lines in the drawings are for the purpose of illustrating portions of the multi-function hub that form no part of the claimed design.

1 Claim, 8 Drawing Sheets



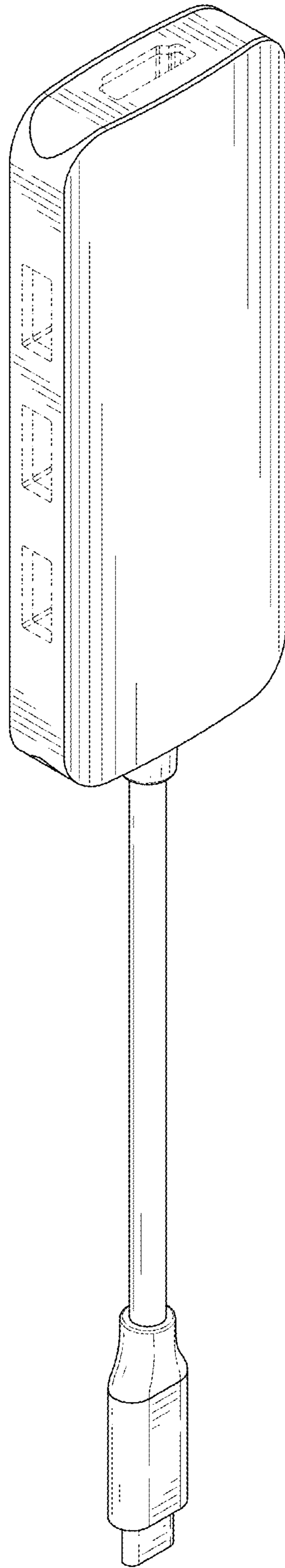


FIG. 1

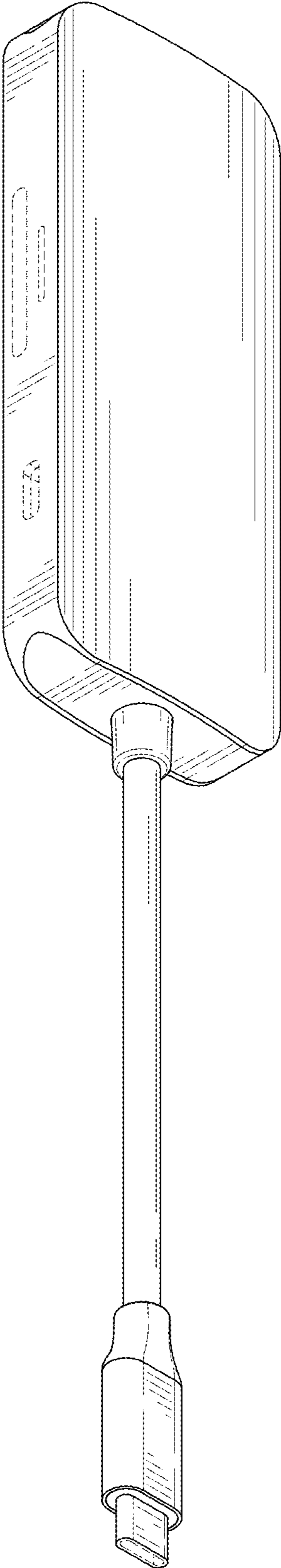


FIG. 2

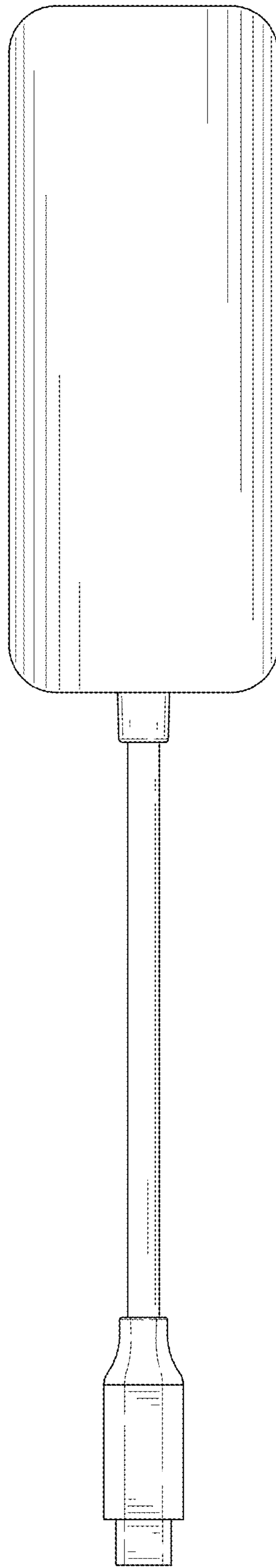


FIG. 3

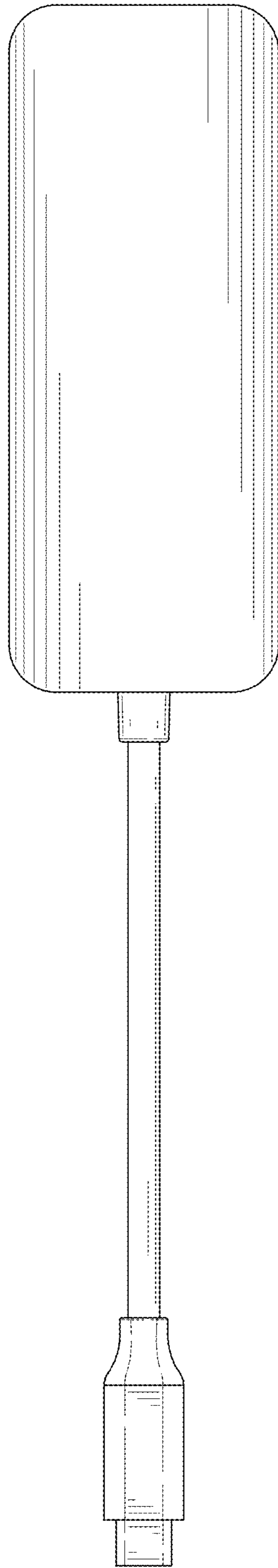


FIG. 4

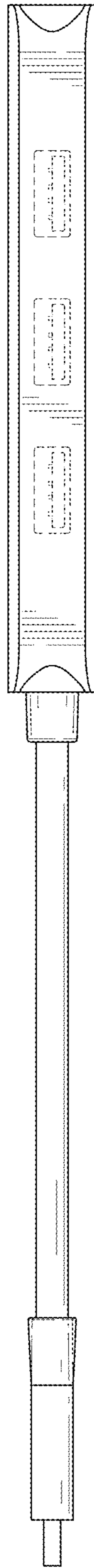


FIG. 5

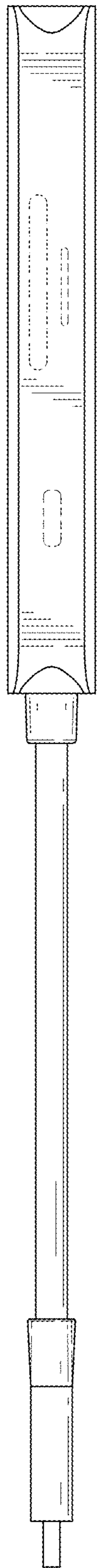


FIG. 6

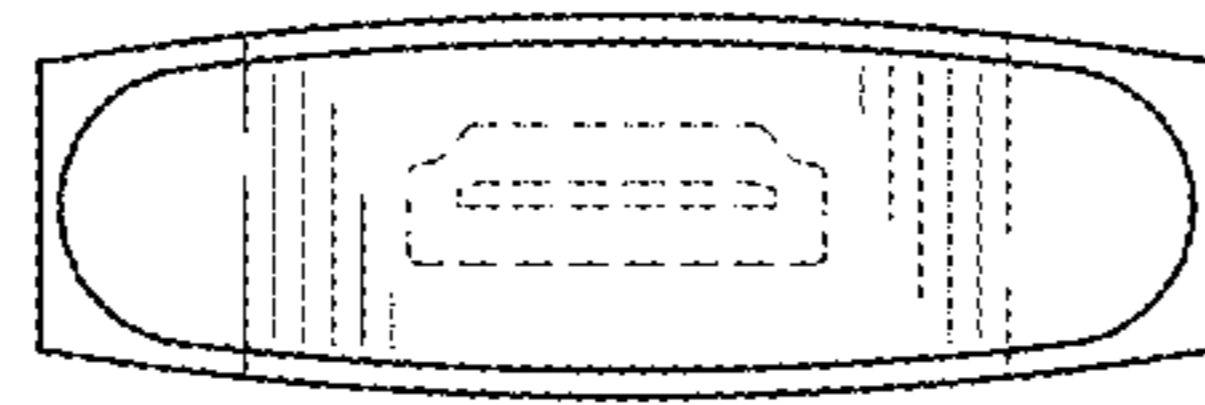


FIG. 7

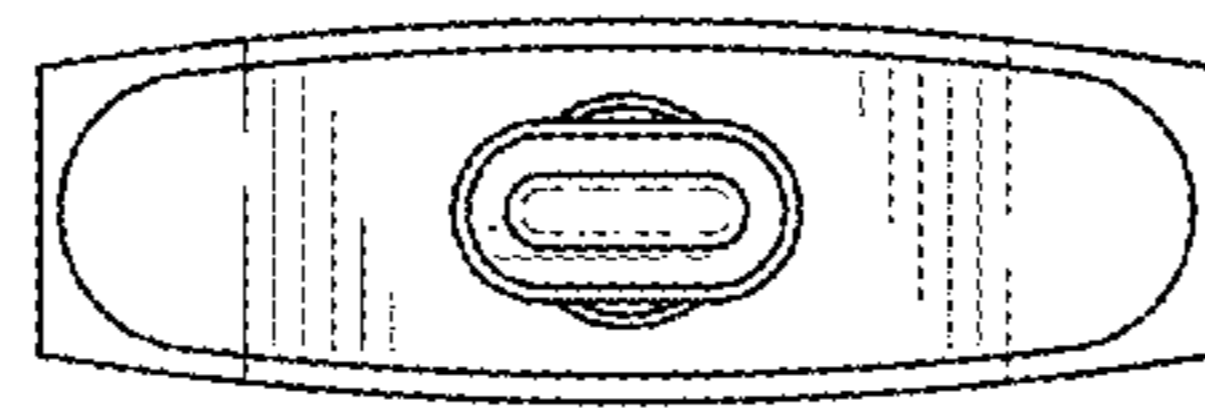


FIG. 8