



US00D953337S

(12) **United States Design Patent**  
**Zhang**

(10) **Patent No.:** **US D953,337 S**

(45) **Date of Patent:** **\*\* May 31, 2022**

(54) **MULTI-FUNCTION HUB**

(71) Applicant: **C-SMARTLINK INFORMATION TECHNOLOGY CO., LIMITED**,  
Shenzhen (CN)

(72) Inventor: **Wenfeng Zhang**, Shenzhen (CN)

(73) Assignee: **C-SMARTLINK INFORMATION TECHNOLOGY CO., LIMITED**,  
Shenzhen (CN)

(\*\*) Term: **15 Years**

(21) Appl. No.: **29/761,697**

(22) Filed: **Dec. 11, 2020**

(51) **LOC (13) Cl.** ..... **14-02**

(52) **U.S. Cl.**  
USPC ..... **D14/433**

(58) **Field of Classification Search**  
USPC ..... D14/240, 242, 356, 358, 363, 365, 367,  
D14/370, 432-437, 439, 498, 125, 366,  
D14/168, 496; D13/147, 164, 123, 133,  
D13/146, 110, 199, 103, 162, 159, 160,  
D13/184; 361/683, 684, 686, 724, 735,  
361/737, 752; D18/40  
CPC .... H01R 25/006; H01R 27/02; H01R 31/005;  
G06F 13/4022; G06F 13/382; G06F  
1/1632; G06F 1/1684; G06F 1/20; G06F  
1/1607

See application file for complete search history.

(56) **References Cited**

**U.S. PATENT DOCUMENTS**

D864,145 S \* 10/2019 Zhang ..... D14/433  
D881,132 S \* 4/2020 Bagley ..... D14/433

D914,686 S \* 3/2021 Huang ..... D14/433  
D916,678 S \* 4/2021 Du ..... D14/155  
D924,873 S \* 7/2021 Chen ..... D14/433  
D924,933 S \* 7/2021 Kusano ..... D14/496  
D926,189 S \* 7/2021 Zhang ..... D14/433  
D929,397 S \* 8/2021 Morisawa ..... D14/348  
D943,730 S \* 2/2022 Puffer ..... D23/385  
D944,803 S \* 3/2022 Liao ..... D14/433  
D946,136 S \* 3/2022 Appiahene-Agyei ..... D23/385

\* cited by examiner

*Primary Examiner* — Austin Murphy

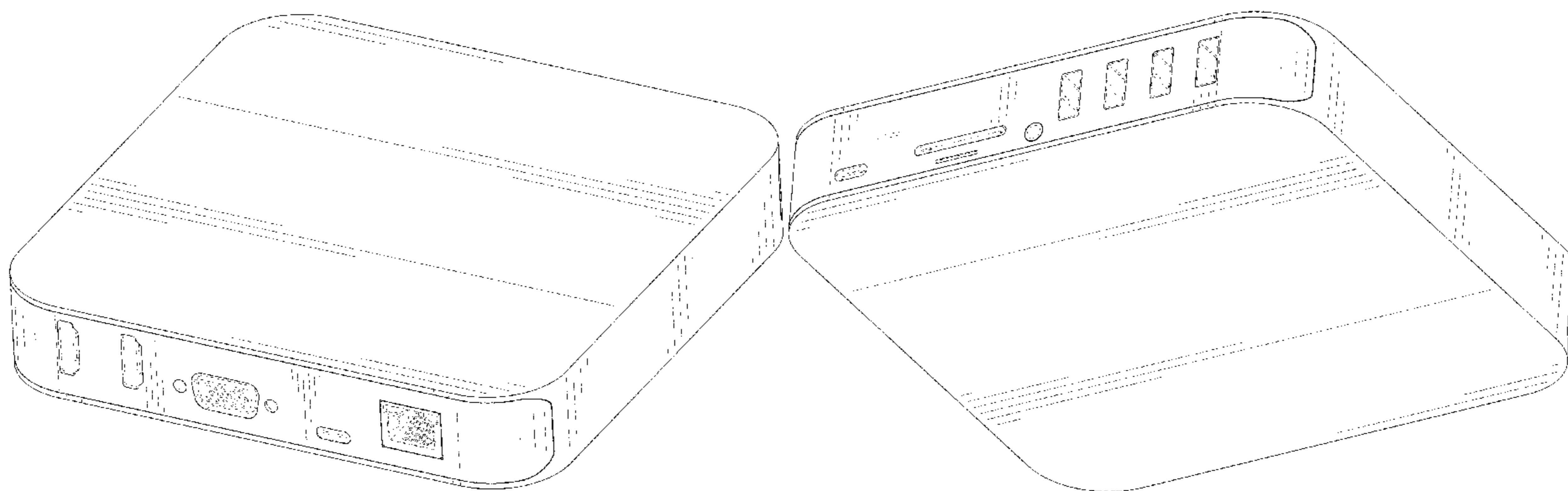
(57) **CLAIM**

The ornamental design for a multi-function hub, as shown and described.

**DESCRIPTION**

FIG. 1 is a perspective view of a multi-function hub showing my new design;  
FIG. 2 is another perspective view thereof;  
FIG. 3 is a front elevational view thereof;  
FIG. 4 is a rear elevational view thereof;  
FIG. 5 is a left side elevational view thereof;  
FIG. 6 is a right side elevational view thereof;  
FIG. 7 is a top plan view thereof; and,  
FIG. 8 is a bottom plan view thereof.  
The broken lines in the drawings are for the purpose of illustrating portions of the multi-function hub that form no part of the claimed design.

**1 Claim, 8 Drawing Sheets**



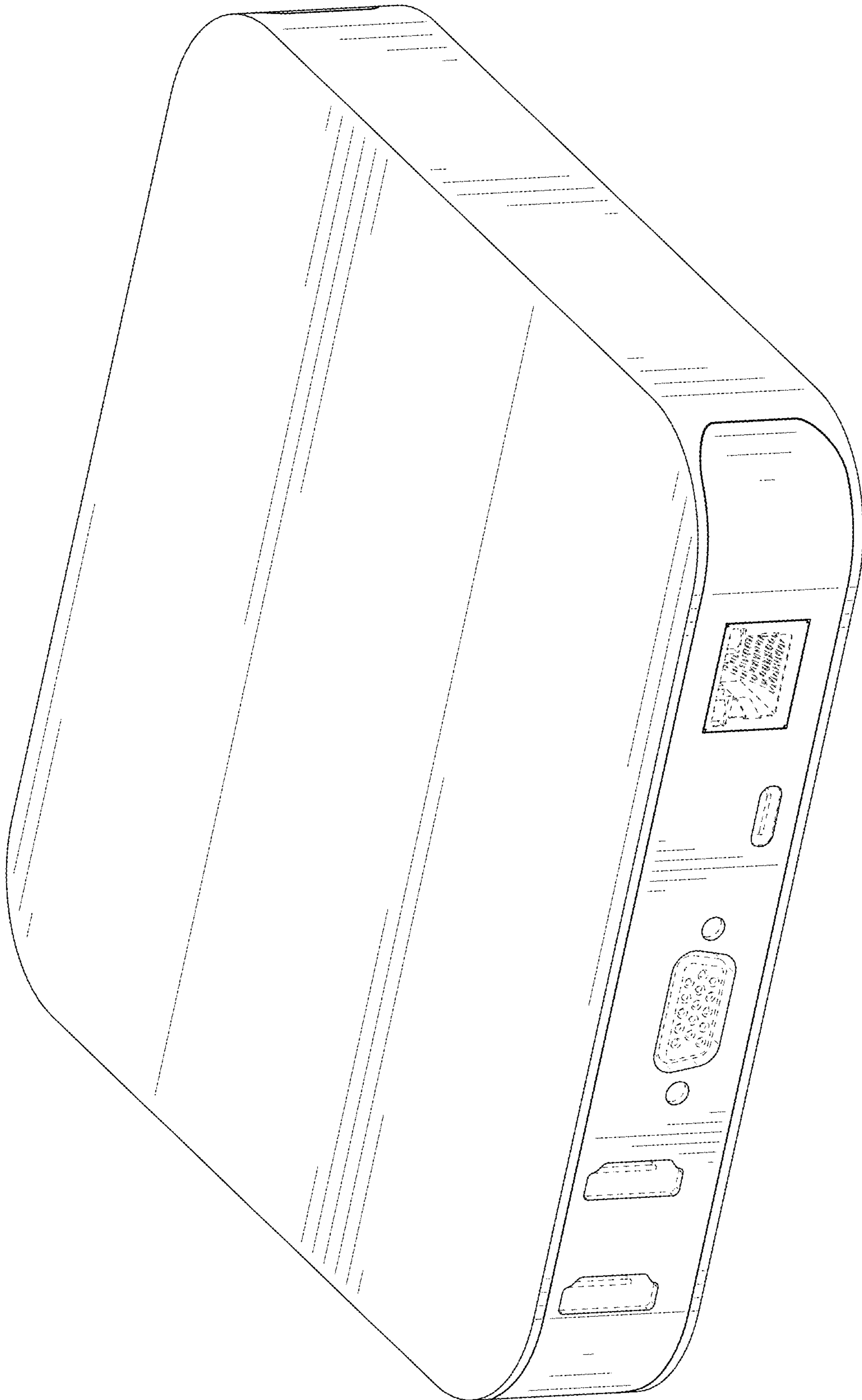


FIG. 1

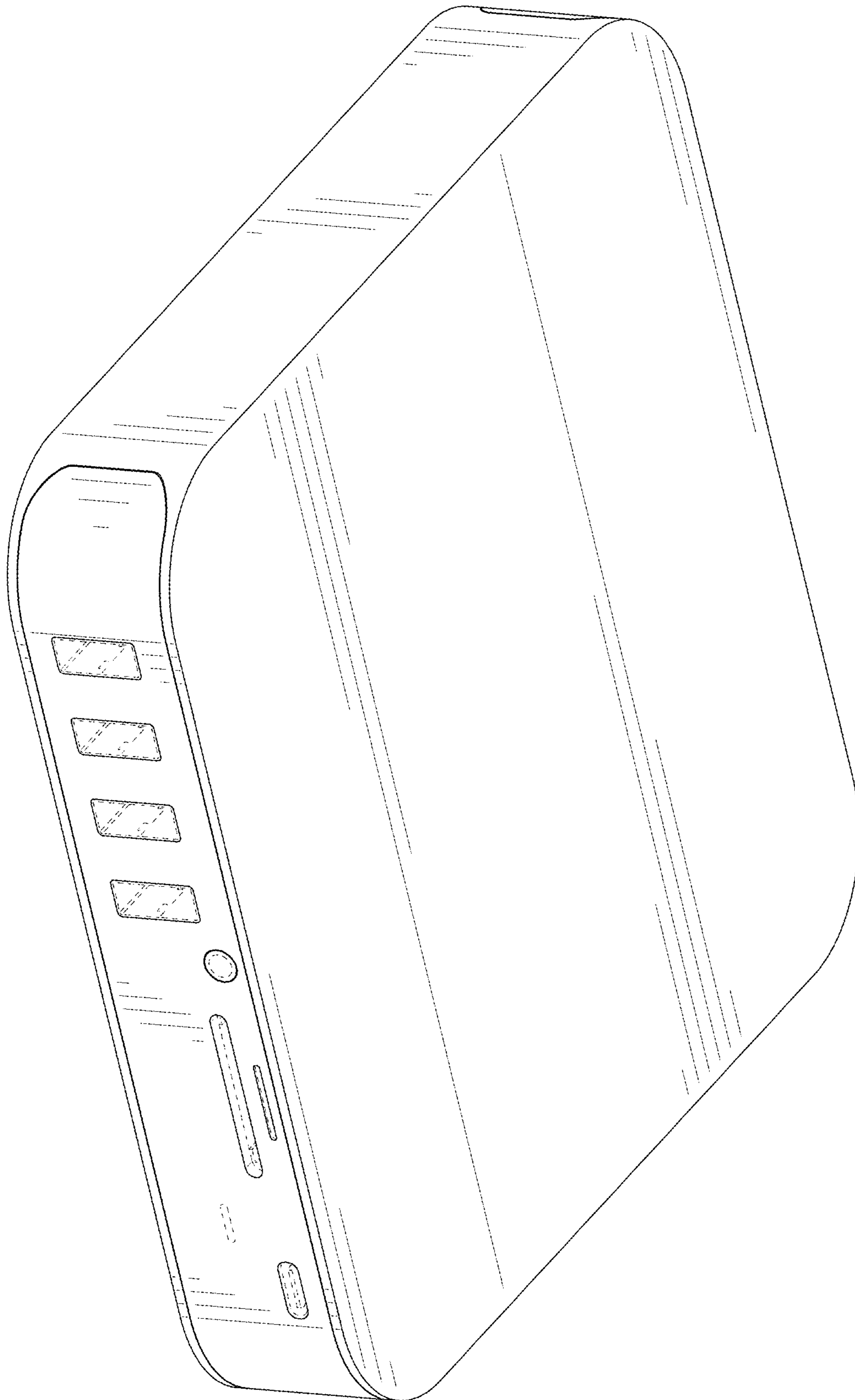


FIG. 2

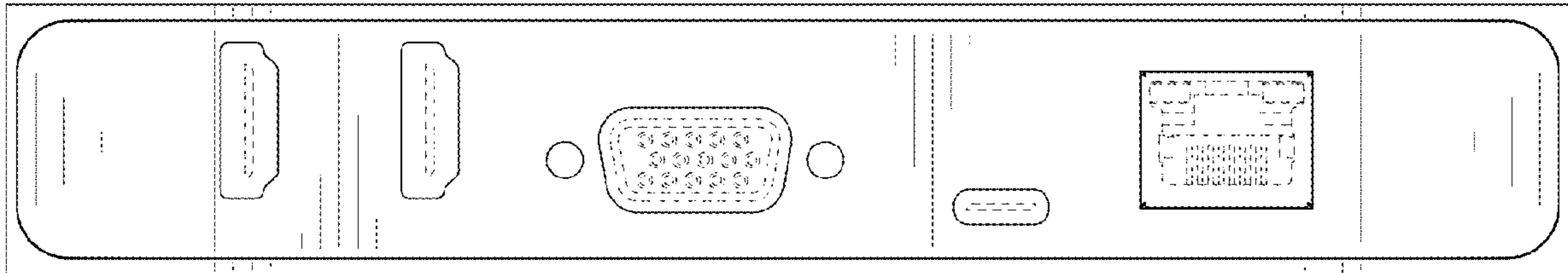


FIG. 3

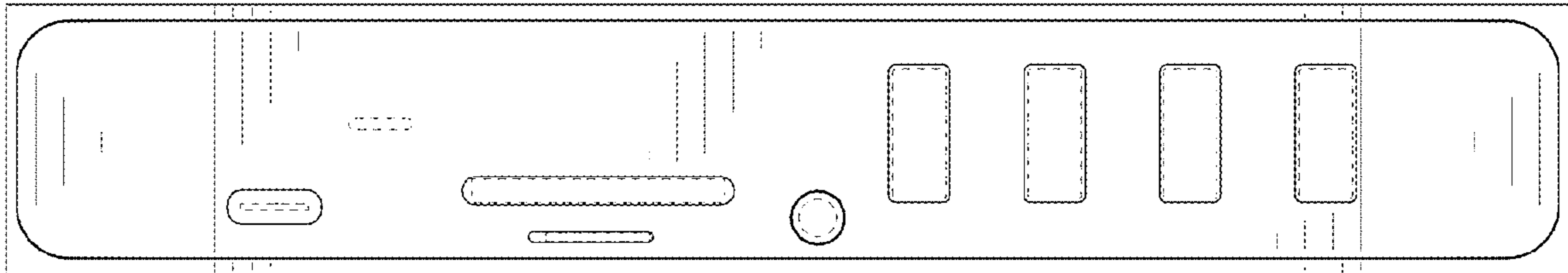


FIG. 4

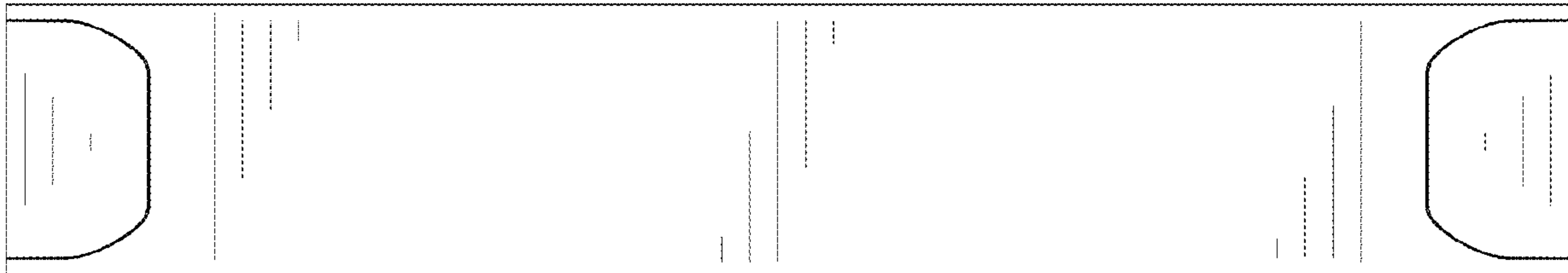


FIG. 5

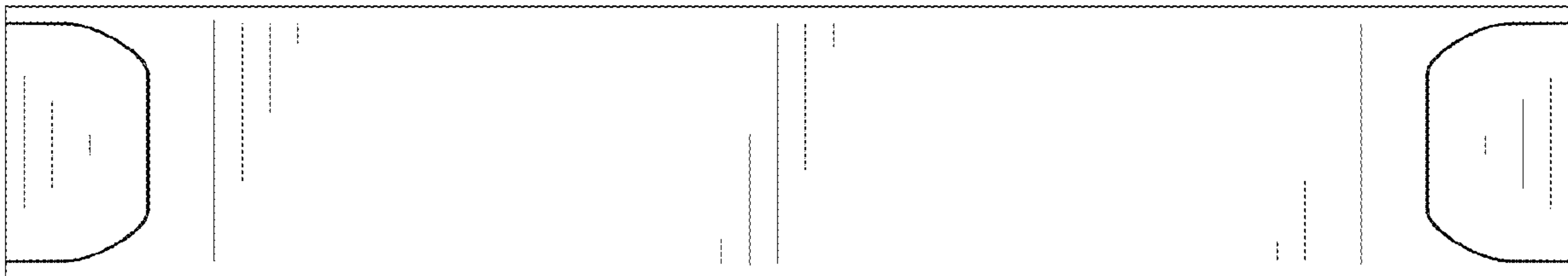


FIG. 6



FIG. 7





FIG. 8