



US00D953336S

(12) **United States Design Patent**
Zhang

(10) **Patent No.:** **US D953,336 S**

(45) **Date of Patent:** **** May 31, 2022**

(54) **MULTI-FUNCTION HUB**

(71) Applicant: **C-SMARTLINK INFORMATION TECHNOLOGY CO., LIMITED**, Shenzhen (CN)

(72) Inventor: **Wenfeng Zhang**, Shenzhen (CN)

(73) Assignee: **C-SMARTLINK INFORMATION TECHNOLOGY CO., LIMITED**, Shenzhen (CN)

(**) Term: **15 Years**

(21) Appl. No.: **29/755,491**

(22) Filed: **Oct. 21, 2020**

(51) **LOC (13) Cl.** **14-02**

(52) **U.S. Cl.**
USPC **D14/433**

(58) **Field of Classification Search**
USPC D14/356, 432-434, 453, 454, 511, 203.8, D14/209.1, 238.1, 240, 125; 439/638, 439/928, 105, 502; 710/303, 304; 361/679.41, 679.55, 679.56; D13/110, D13/133, 146
CPC H01R 24/64; H01R 24/62; H01R 12/714; H01R 13/506; H01R 13/6658
See application file for complete search history.

(56) **References Cited**

U.S. PATENT DOCUMENTS

D457,153 S * 5/2002 Allen D14/168
D539,261 S * 3/2007 Hyodo D14/507

D727,868 S * 4/2015 O'Neill D14/134
D728,523 S * 5/2015 Cho D14/216
D756,986 S * 5/2016 O'Neill D14/252
D763,852 S * 8/2016 Avganim D14/433
D821,393 S * 6/2018 Matsumiya D10/74
D843,341 S * 3/2019 Imblum D14/204
D882,579 S * 4/2020 O'Neill D14/433
D920,947 S * 6/2021 Feng D14/204
D926,188 S * 7/2021 Zhang D14/433
D928,787 S * 8/2021 Zhang D14/433
2018/0364968 A1 * 12/2018 Pitera A61M 21/02

* cited by examiner

Primary Examiner — Austin Murphy

(57) **CLAIM**

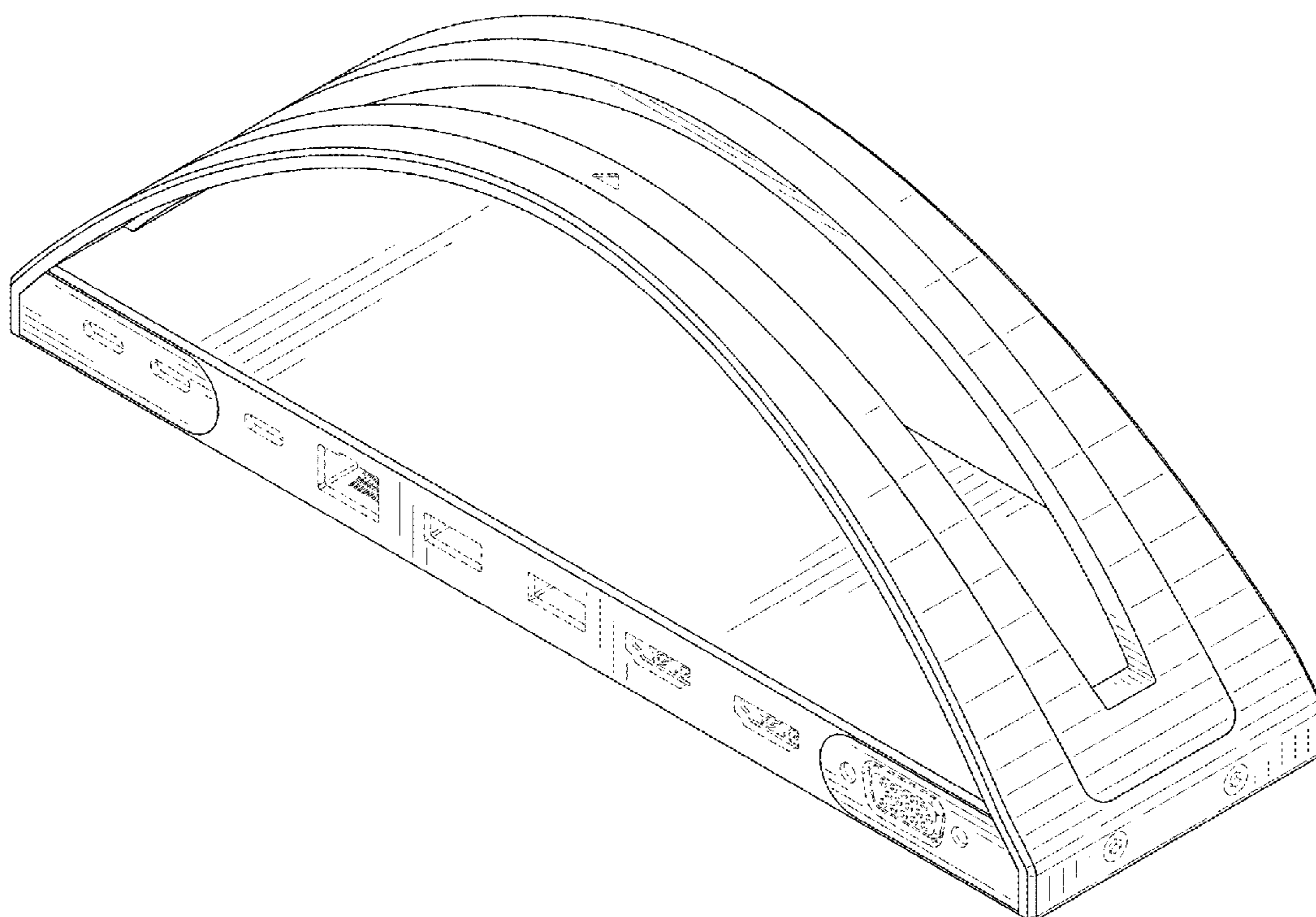
The ornamental design for a multi-function hub, as shown and described.

DESCRIPTION

FIG. 1 is a perspective view of a multi-function hub showing my new design;
FIG. 2 is another perspective view thereof;
FIG. 3 is a front elevational view thereof;
FIG. 4 is a rear elevational view thereof;
FIG. 5 is a left side elevational view thereof;
FIG. 6 is a right side elevational view thereof;
FIG. 7 is a top plan view thereof;
FIG. 8 is a bottom plan view thereof; and,
FIG. 9 is an enlarged view of the encircled portion 9 of FIG. 2.

The broken lines in the drawings are for the purpose of illustrating portions of the multi-function hub that form no part of the claimed design.

1 Claim, 9 Drawing Sheets



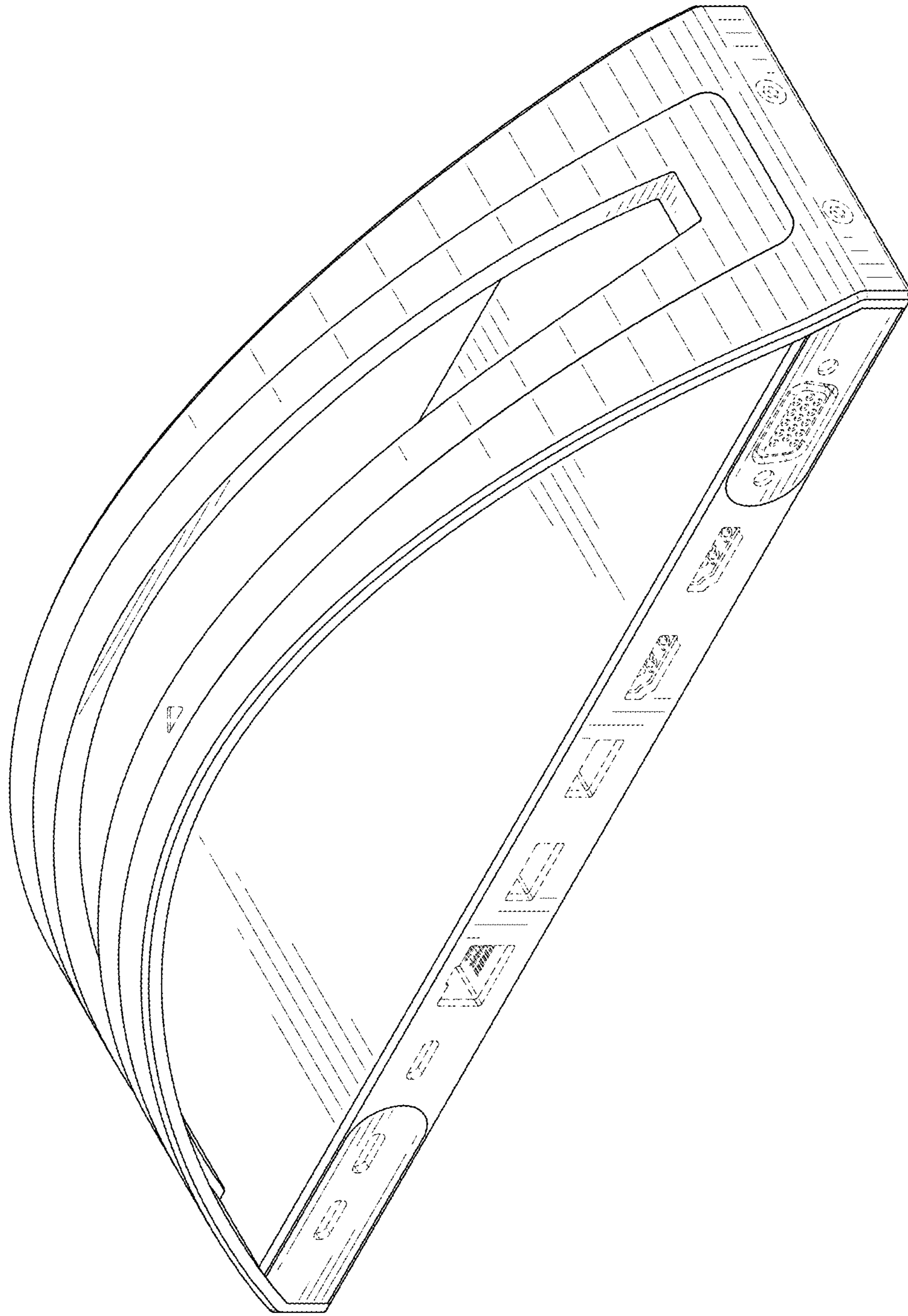


FIG. 1

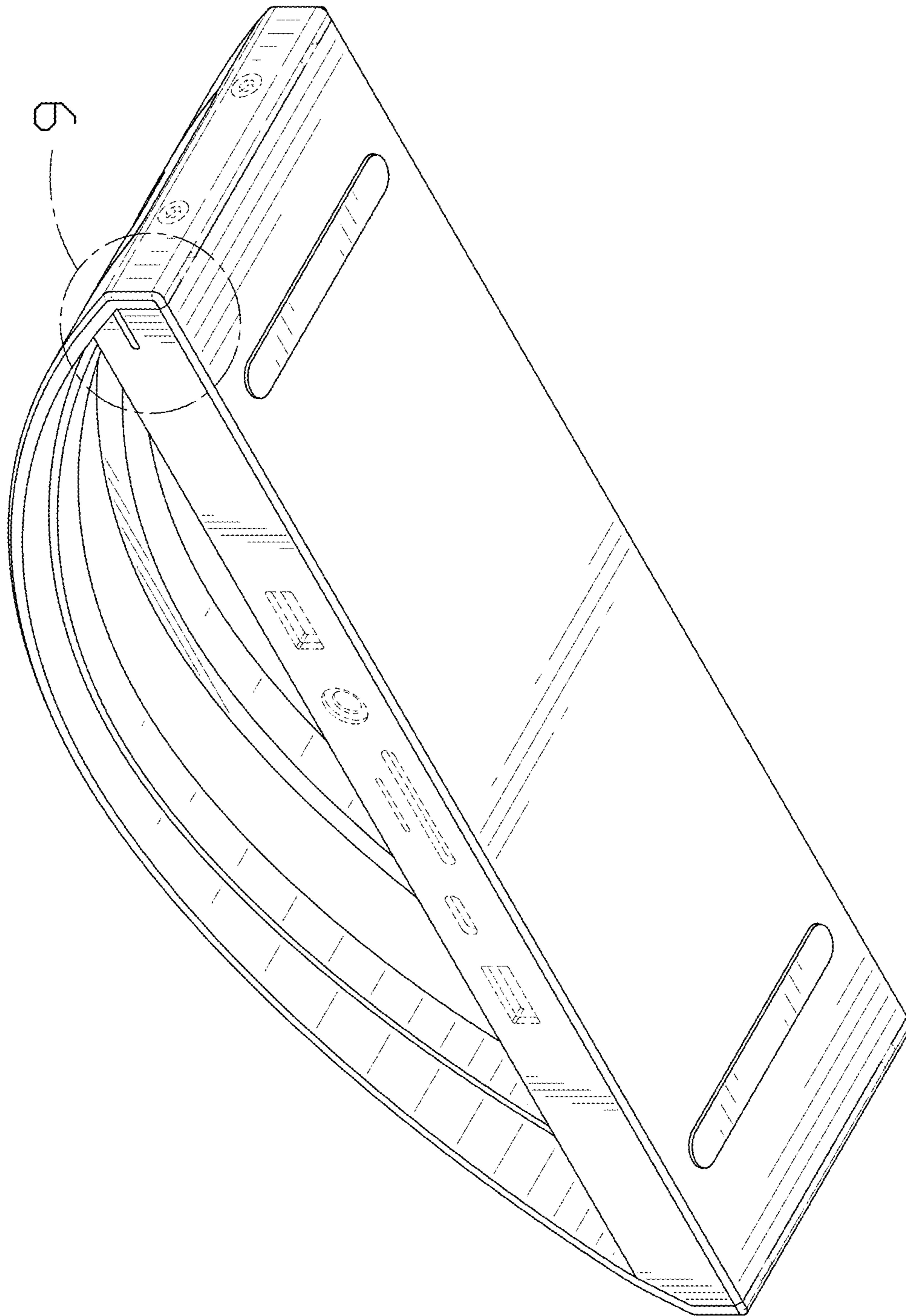


FIG. 2

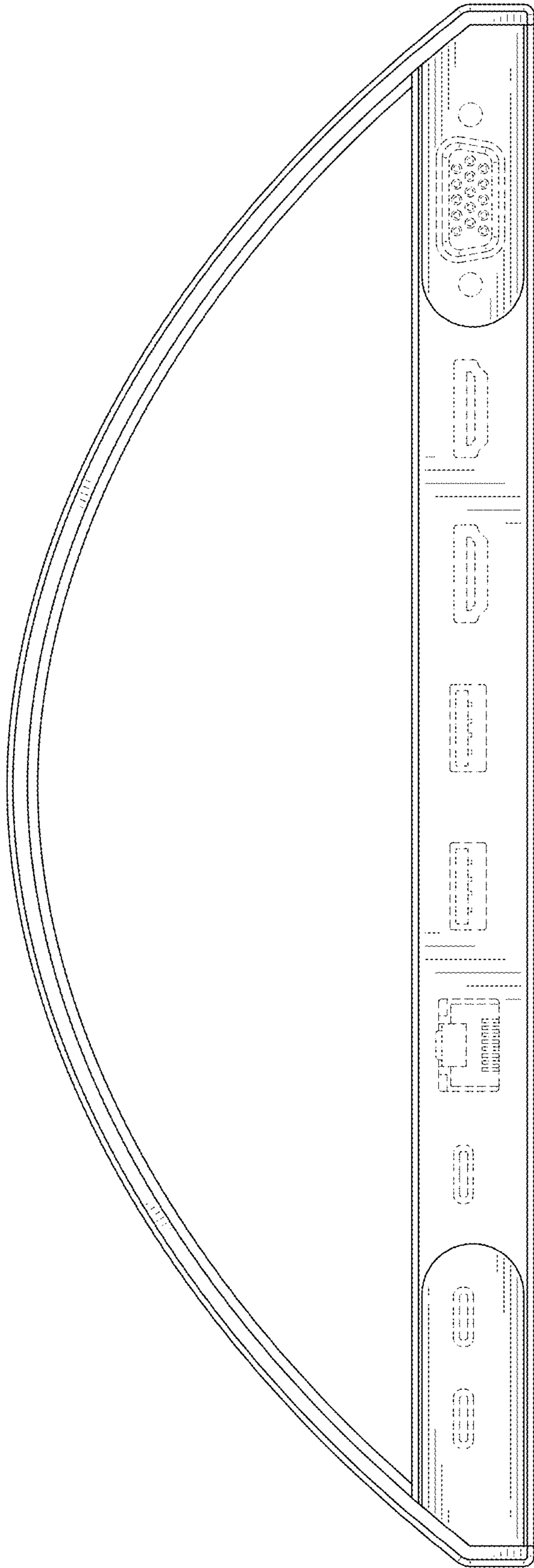


FIG. 3

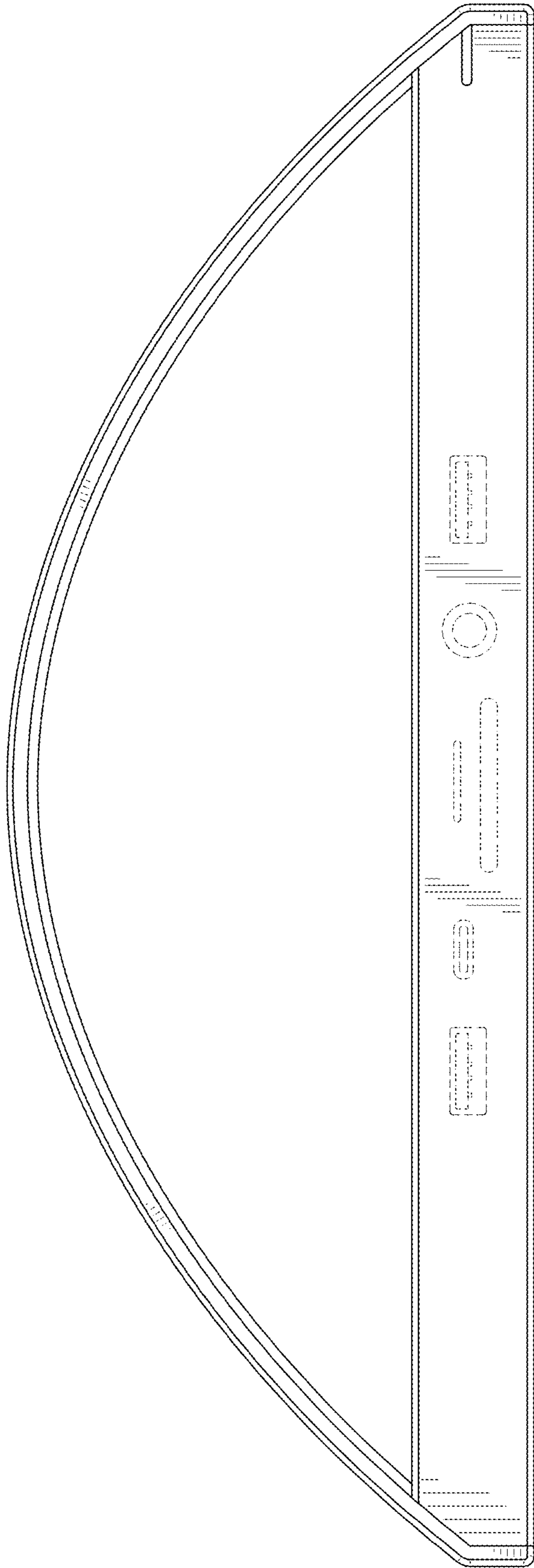


FIG. 4

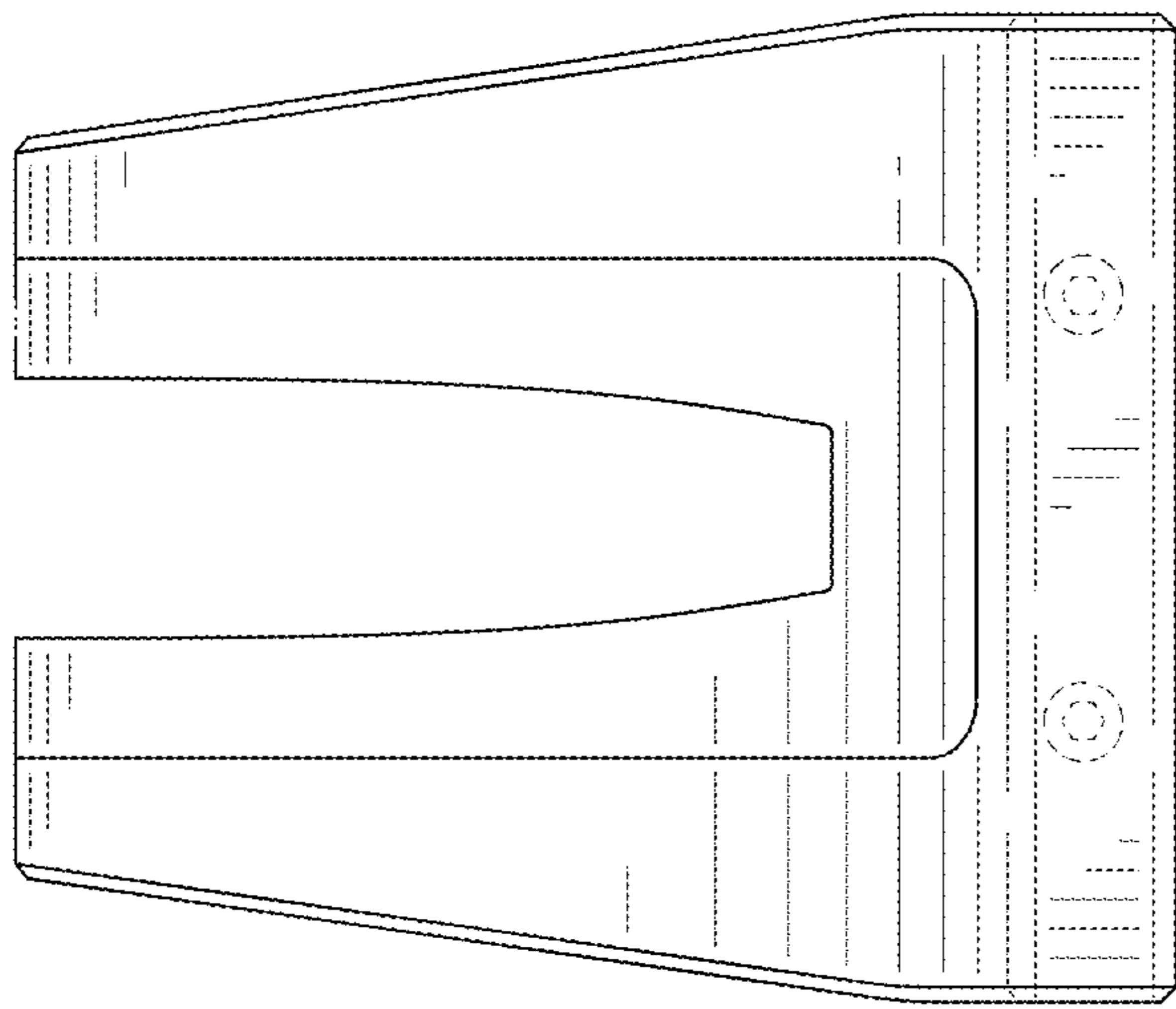


FIG. 5

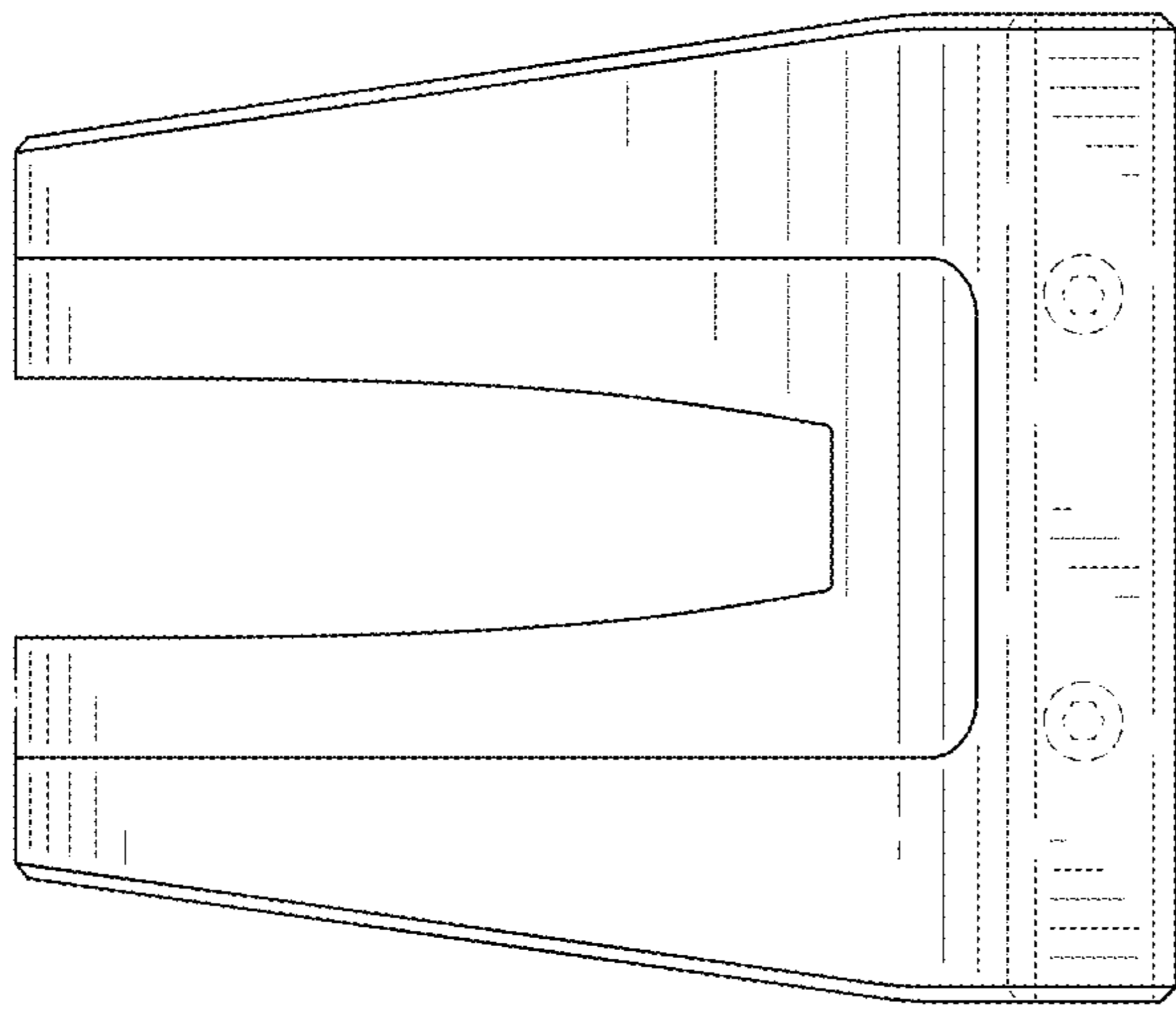


FIG. 6

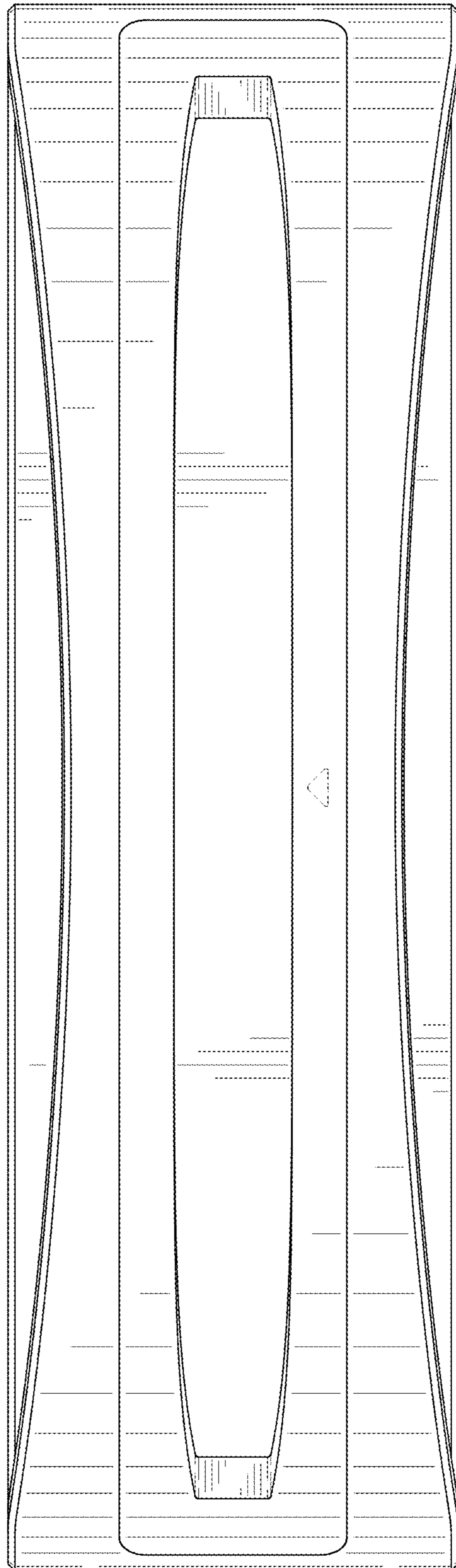


FIG. 7

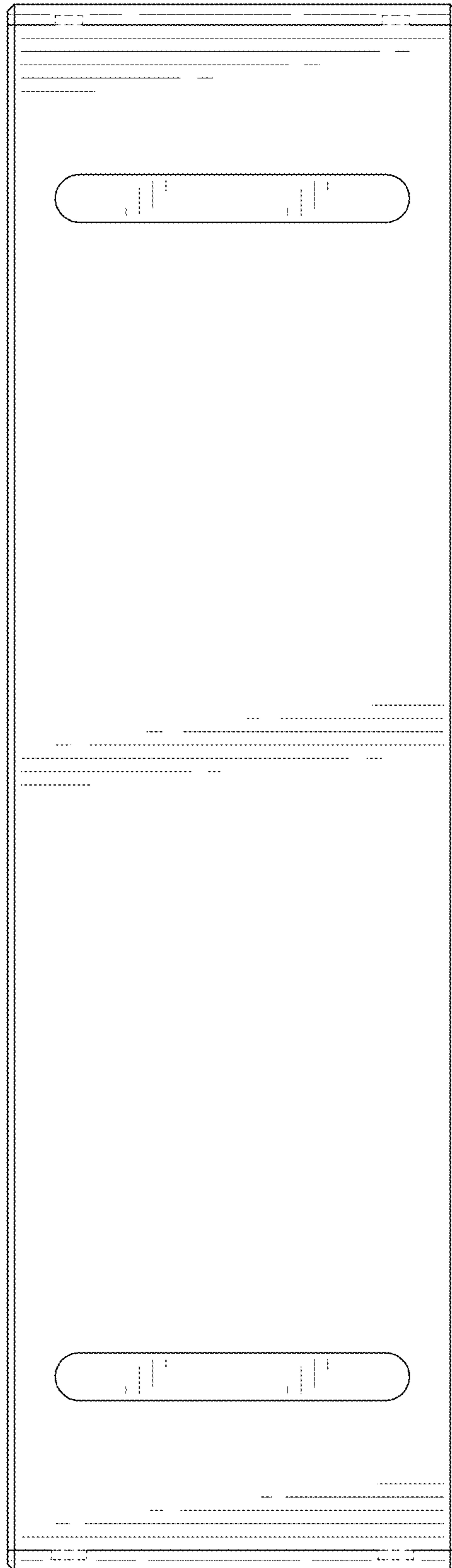


FIG. 8

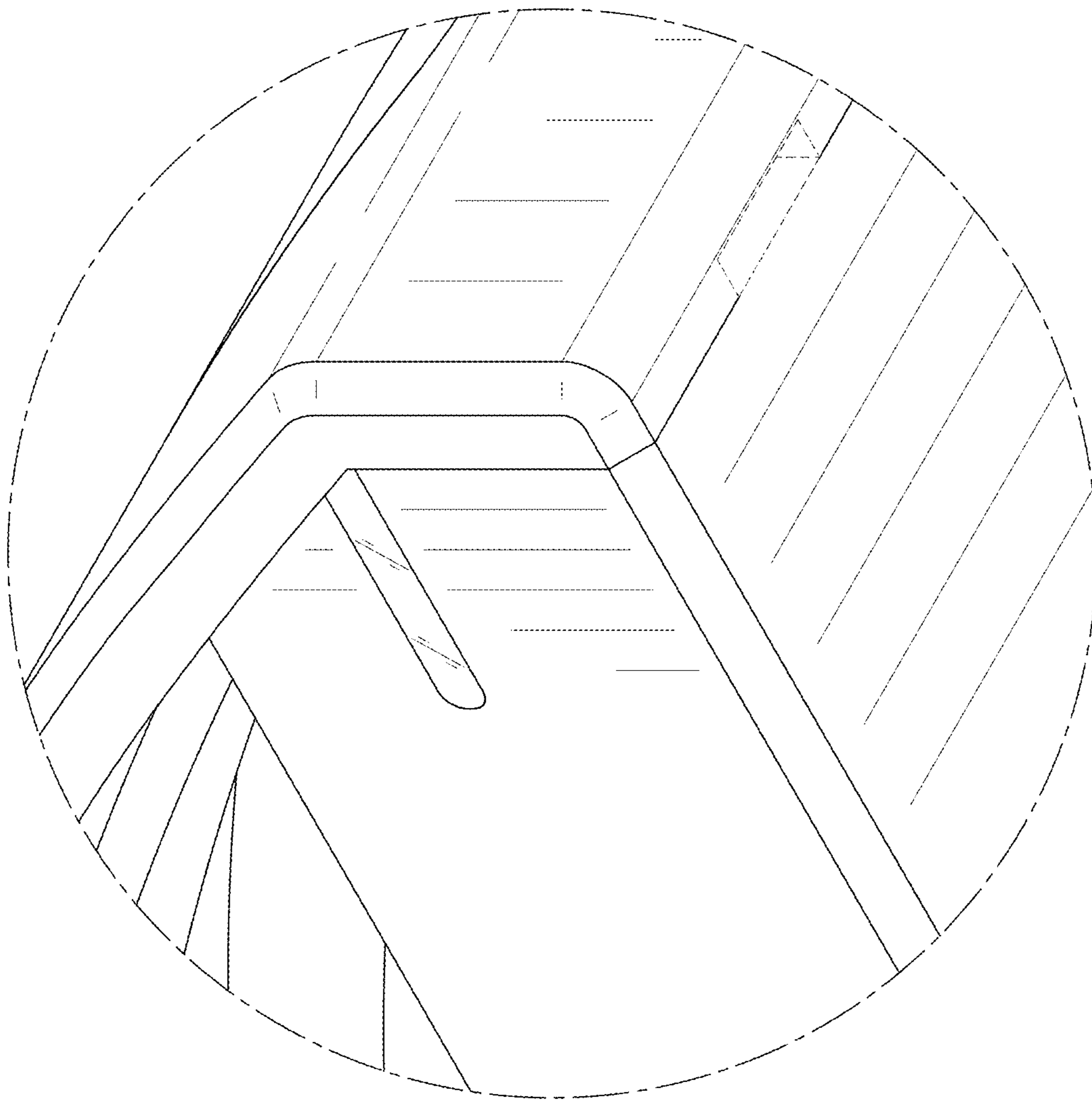


FIG. 9