



US00D953333S

(12) **United States Design Patent** (10) **Patent No.:** **US D953,333 S**  
**Zhang** (45) **Date of Patent:** **\*\* May 31, 2022**

(54) **MULTI-FUNCTION HUB**

(56) **References Cited**

(71) Applicant: **C-SMARTLINK INFORMATION TECHNOLOGY CO., LIMITED,**  
Shenzhen (CN)

U.S. PATENT DOCUMENTS

(72) Inventor: **Wenfeng Zhang,** Shenzhen (CN)

D885,339 S *	5/2020	Duan	.....	D13/110
D908,126 S *	1/2021	Chen	.....	D14/433
D909,385 S *	2/2021	Kong	.....	D14/433
D916,093 S *	4/2021	Liao	.....	D14/433
D918,211 S *	5/2021	Liao	.....	D14/433
D929,998 S *	9/2021	Liao	.....	D14/433
D936,658 S *	11/2021	Zhang	.....	D14/433
D937,271 S *	11/2021	Lin	.....	D14/433
D940,144 S *	1/2022	Zhang	.....	D14/433

(73) Assignee: **C-SMARTLINK INFORMATION TECHNOLOGY CO., LIMITED,**  
Shenzhen (CN)

\* cited by examiner

(\*\*) Term: **15 Years**

*Primary Examiner* — Austin Murphy

(21) Appl. No.: **29/740,870**

(57) **CLAIM**

(22) Filed: **Jul. 8, 2020**

The ornamental design for a multi-function hub, as shown and described.

(51) **LOC (13) Cl.** ..... **14-02**

**DESCRIPTION**

(52) **U.S. Cl.**

USPC ..... **D14/433**

(58) **Field of Classification Search**

USPC ..... D18/4.4, 4.5, 4.6, 12, 12.1, 12.3;  
D14/383, 384, 385, 386, 378

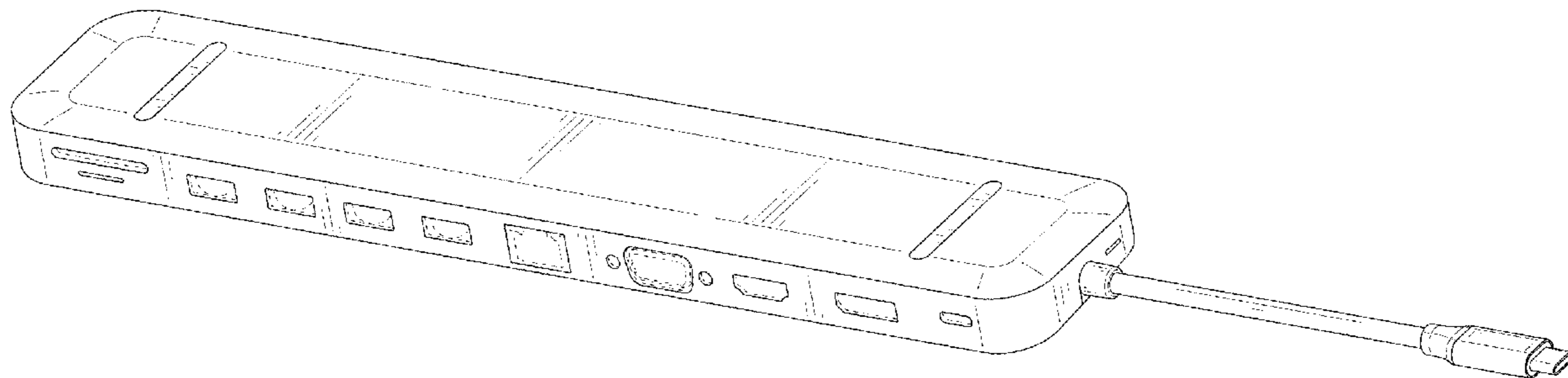
CPC ..... G06K 19/07749; G06K 19/0723; G06K 19/041; G06K 19/07758; G06K 19/0775; G06K 19/07783; G06K 19/07794; G06K 19/06046; G06K 19/07722; G06K 19/07773; G06K 19/07779; G06K 19/07784; G06K 19/07786; G06K 19/0709

FIG. 1 is a perspective view of a multi-function hub showing my new design;  
FIG. 2 is another perspective view thereof;  
FIG. 3 is a front elevational view thereof;  
FIG. 4 is a rear elevational view thereof;  
FIG. 5 is a left side elevational view thereof;  
FIG. 6 is a right side elevational view thereof;  
FIG. 7 is a top plan view thereof; and,  
FIG. 8 is a bottom plan view thereof.

The broken lines in the drawings are for the purpose of illustrating portions of the multi-function hub that form no part of the claimed design.

See application file for complete search history.

**1 Claim, 8 Drawing Sheets**



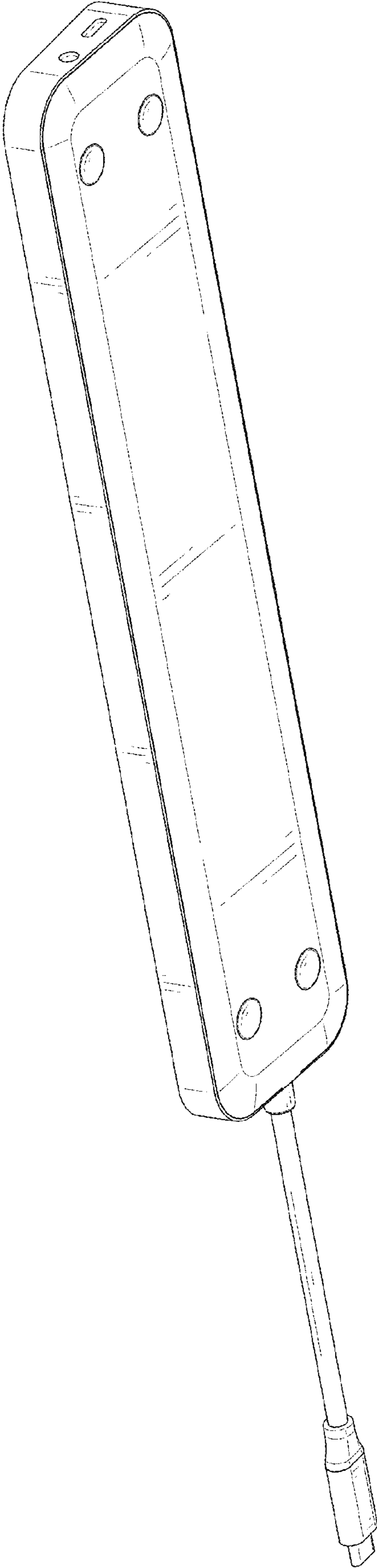


FIG. 1

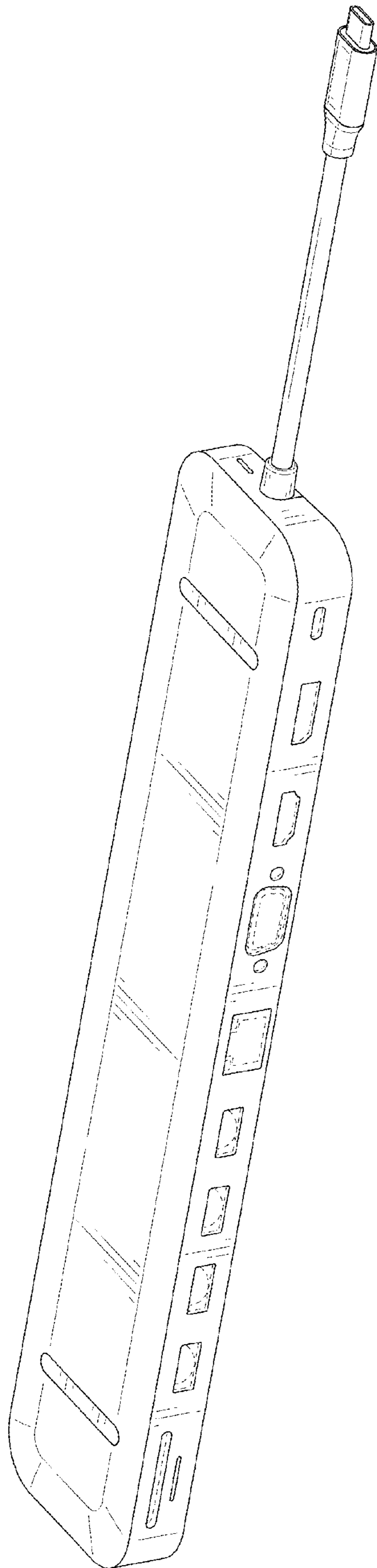


FIG. 2

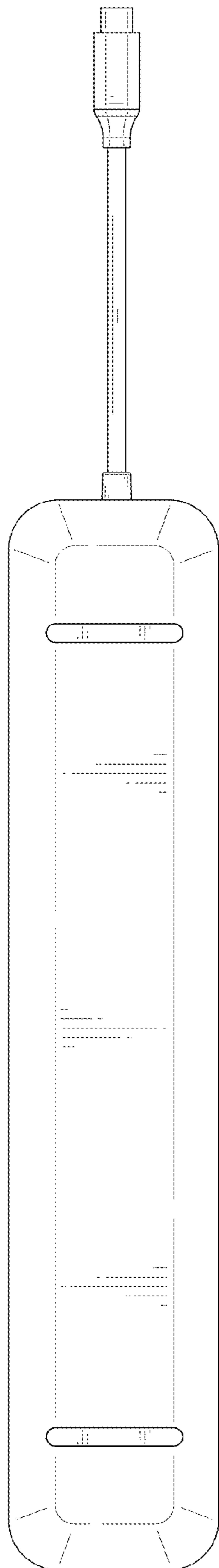


FIG. 3

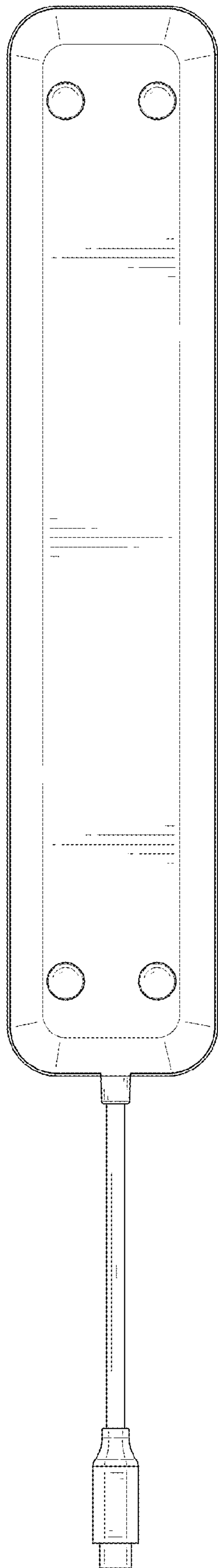


FIG. 4

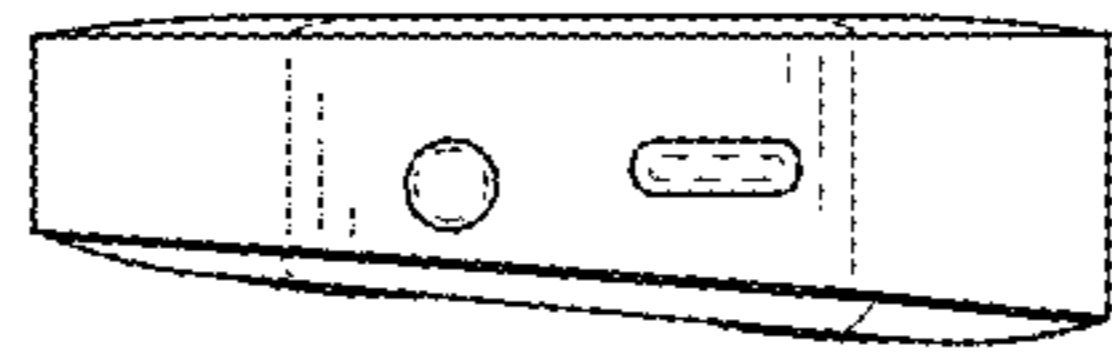


FIG. 5

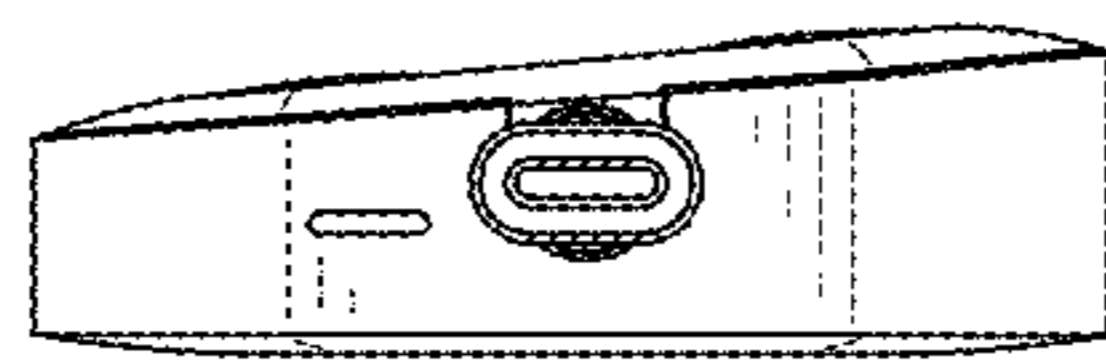


FIG. 6

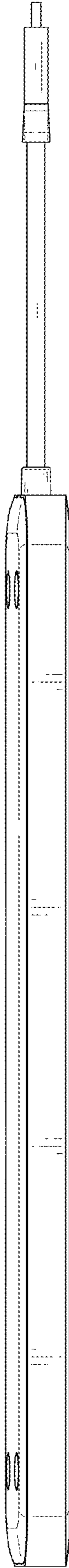


FIG. 7



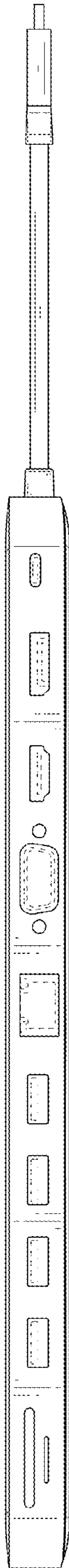


FIG. 8