



US00D953332S

(12) **United States Design Patent**
Liao

(10) **Patent No.:** **US D953,332 S**

(45) **Date of Patent:** **** May 31, 2022**

(54) **MULTIFUNCTION ADAPTER**
(71) Applicant: **GUANGDONG GOPOD GROUP HOLDING CO., LTD**, Shenzhen (CN)

(72) Inventor: **Zhuowen Liao**, Shenzhen (CN)

(73) Assignee: **Guangdong Gopod Group Holding Co., Ltd.**, Shenzhen (CN)

(**) Term: **15 Years**

(21) Appl. No.: **29/726,939**

(22) Filed: **Mar. 6, 2020**

(30) **Foreign Application Priority Data**

Oct. 30, 2019 (CN) 201930594823.5

(51) **LOC (13) Cl.** **14-99**

(52) **U.S. Cl.**
USPC **D14/433**

(58) **Field of Classification Search**
USPC ... D14/432, 433, 434, 435, 435.1, 436, 439, D14/480.1-480.7, 484.1, 203.1-203.8, D14/240, 242; D13/107, 108
CPC G06F 13/122; G06F 13/382; G06F 13/385; G06F 13/4022; G06F 13/4282; G06F 1/1632; G06F 1/1684; H01R 25/006; H05K 5/0278; G06K 19/07732
See application file for complete search history.

(56) **References Cited**

U.S. PATENT DOCUMENTS

- D758,308 S * 6/2016 Choo D13/108
- D824,387 S * 7/2018 Oberpriller D14/433
- D828,355 S * 9/2018 Xie D14/433
- D858,529 S * 9/2019 Oberpriller D14/433
- D862,474 S * 10/2019 Liu D14/433
- D864,967 S * 10/2019 Liu D14/434
- D874,462 S * 2/2020 Chin D14/433

- D879,781 S * 3/2020 Zhang D14/433
- D881,888 S * 4/2020 Liao D14/433
- D885,391 S * 5/2020 Chin D14/433

(Continued)

FOREIGN PATENT DOCUMENTS

- CN 305735085 * 4/2020
- EM 006364378-0007 * 4/2019

(Continued)

OTHER PUBLICATIONS

“World’s First Invisible USB-C Hub for IPAD Pro Is Very Functional,” BoltHub USB-C Hub pictured therein, online, post date Jun. 10, 2019, URL: <https://www.yankodesign.com/2019/06/10/worlds-first-invisible-usb-c-hub-f-or-ip>, retrieved Aug. 16, 2021.*

(Continued)

Primary Examiner — Rebekah A Caruso

(74) *Attorney, Agent, or Firm* — Wolf, Greenfield & Sacks, P.C.

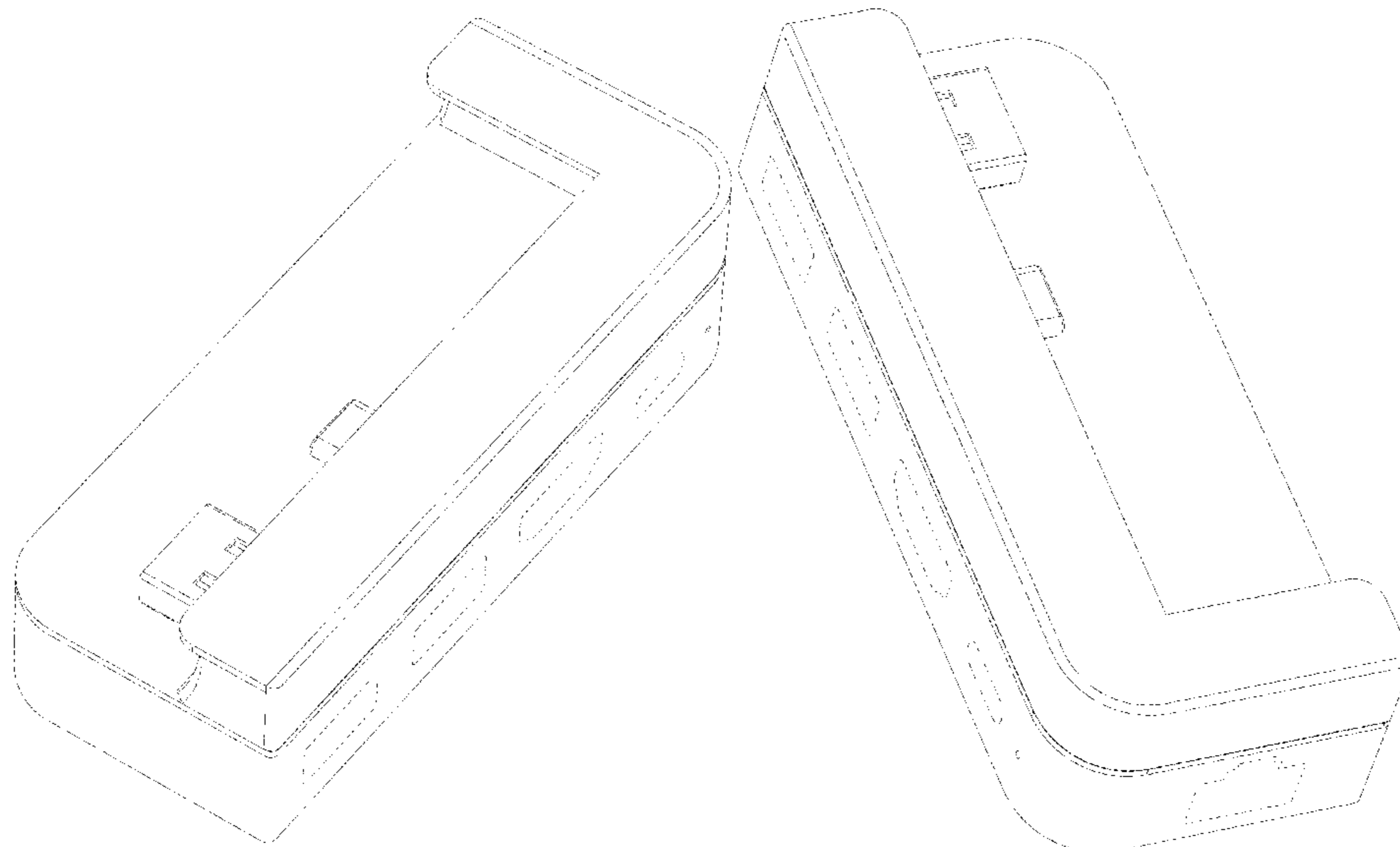
(57) **CLAIM**

The ornamental design for a “multifunction adapter”, as shown and described.

DESCRIPTION

FIG. 1 is a front perspective view of a multifunction adapter; FIG. 2 is a second perspective view thereof; FIG. 3 is a front view thereof; FIG. 4 is a rear view thereof; FIG. 5 is a left side view thereof; FIG. 6 is a right side view thereof; FIG. 7 is a top view thereof; and, FIG. 8 is a bottom view thereof. The broken lines in the figures depict portions of the multifunction adapter that form no part of the claimed design.

1 Claim, 8 Drawing Sheets



(56)

References Cited

U.S. PATENT DOCUMENTS

D891,433 S * 7/2020 Chin D14/433
D892,119 S * 8/2020 Chin D14/433
D893,487 S * 8/2020 Liao D14/433
D900,740 S * 11/2020 Liao D13/108
D902,152 S * 11/2020 Liao D13/110
D907,041 S * 1/2021 Jiang D14/433
D928,158 S * 8/2021 Liao D14/433
D933,663 S * 10/2021 Zhang D14/433
D934,256 S * 10/2021 Zhang D14/433
D934,257 S * 10/2021 Zhang D14/433
D934,258 S * 10/2021 Zhang D14/433

FOREIGN PATENT DOCUMENTS

EM 007190186-0006 * 11/2019
JP D1642532 * 9/2019

OTHER PUBLICATIONS

“IPAD Pro USB-C Hubs: The Best, Worst, and Weirdest Options,”
Kanex USB-C Hub pictured therein, The Verge online, post date
Aug. 2, 2019, URL: [https://www.theverge.com/2019/8/2/20750137/
apple-ipad-pro-usb-c-hubs-hype-rdrive-belkin-satechi-kanex](https://www.theverge.com/2019/8/2/20750137/apple-ipad-pro-usb-c-hubs-hype-rdrive-belkin-satechi-kanex), retrieved
Aug. 16, 2021.*

* cited by examiner

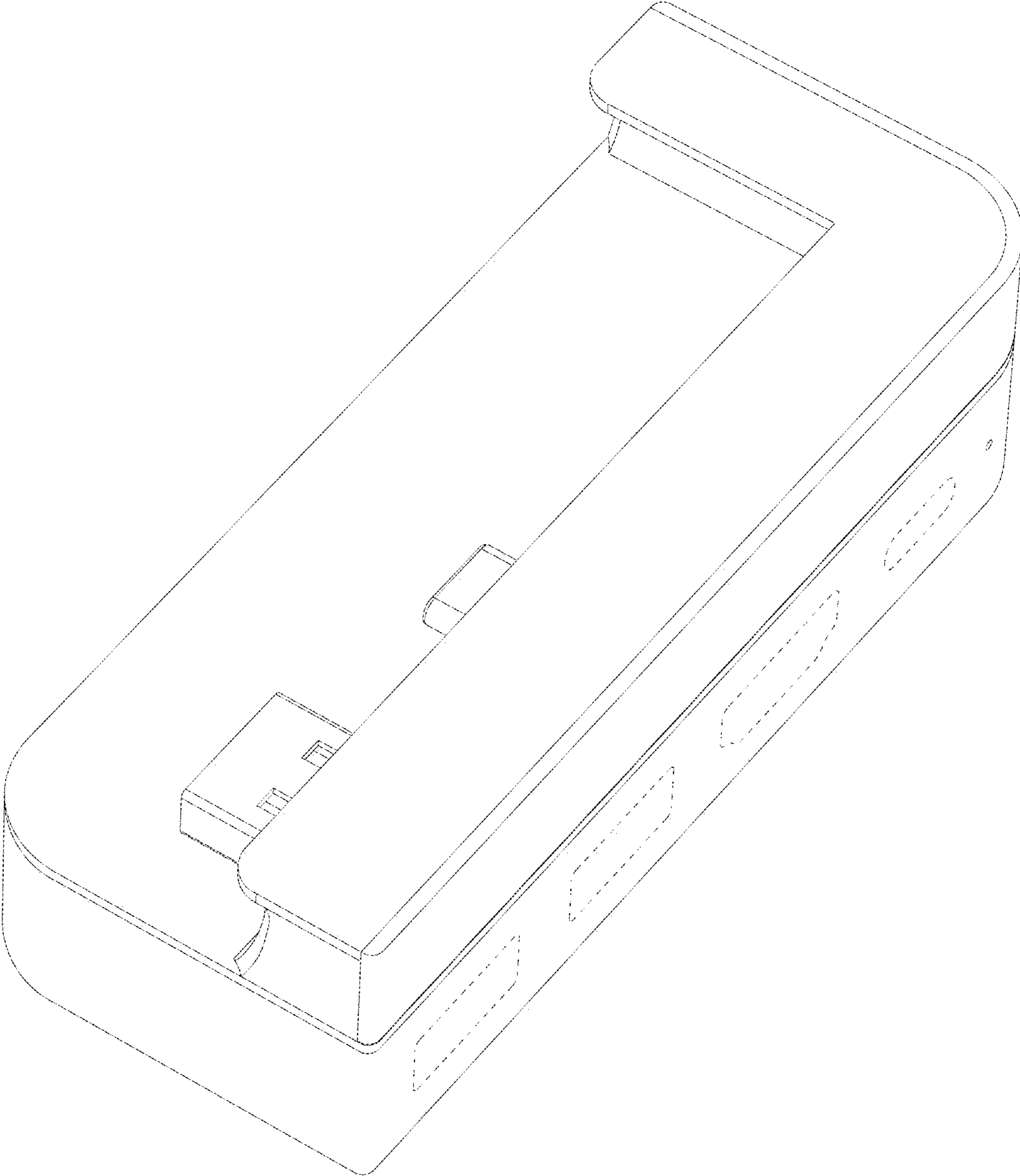


Fig. 1

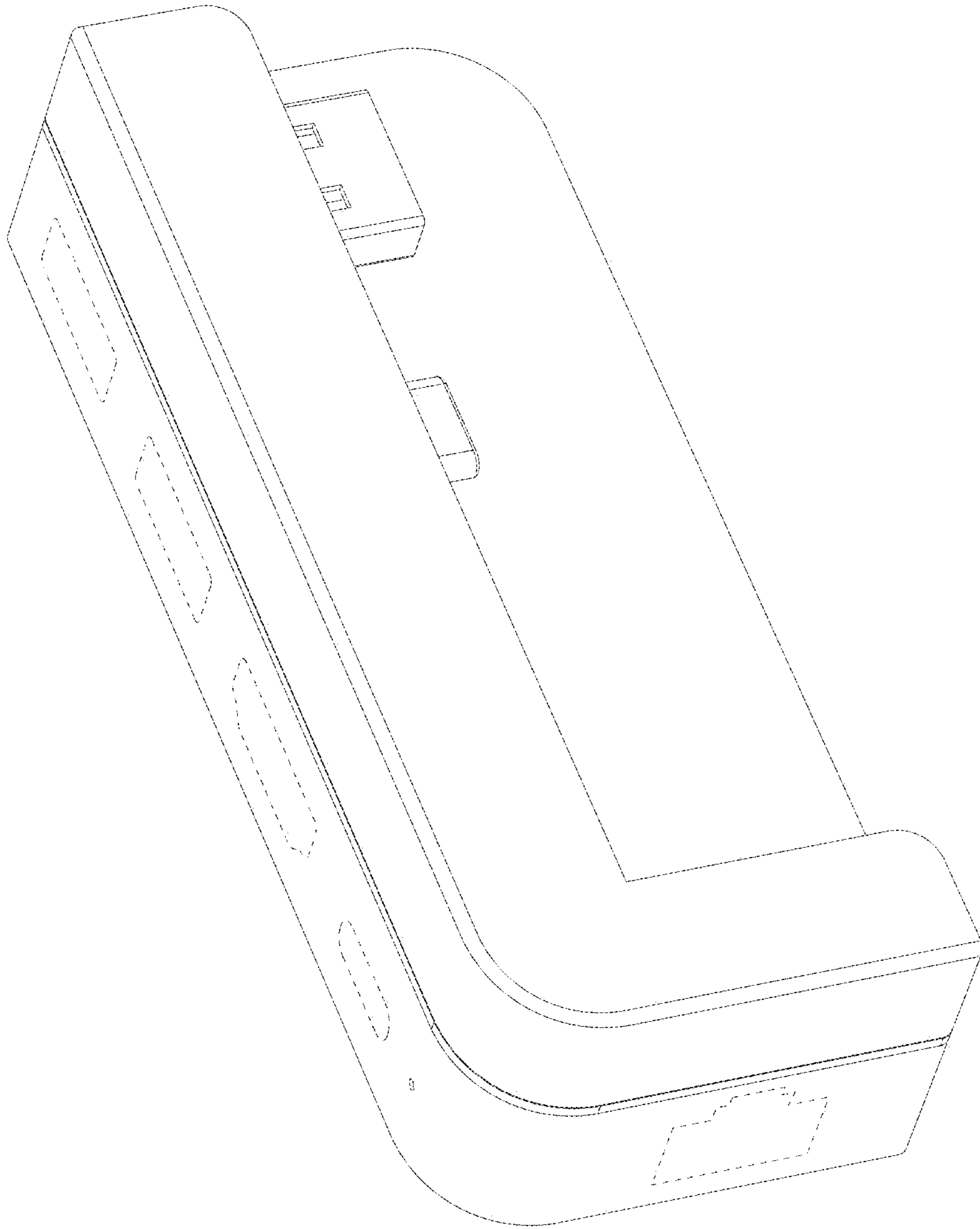


Fig.2

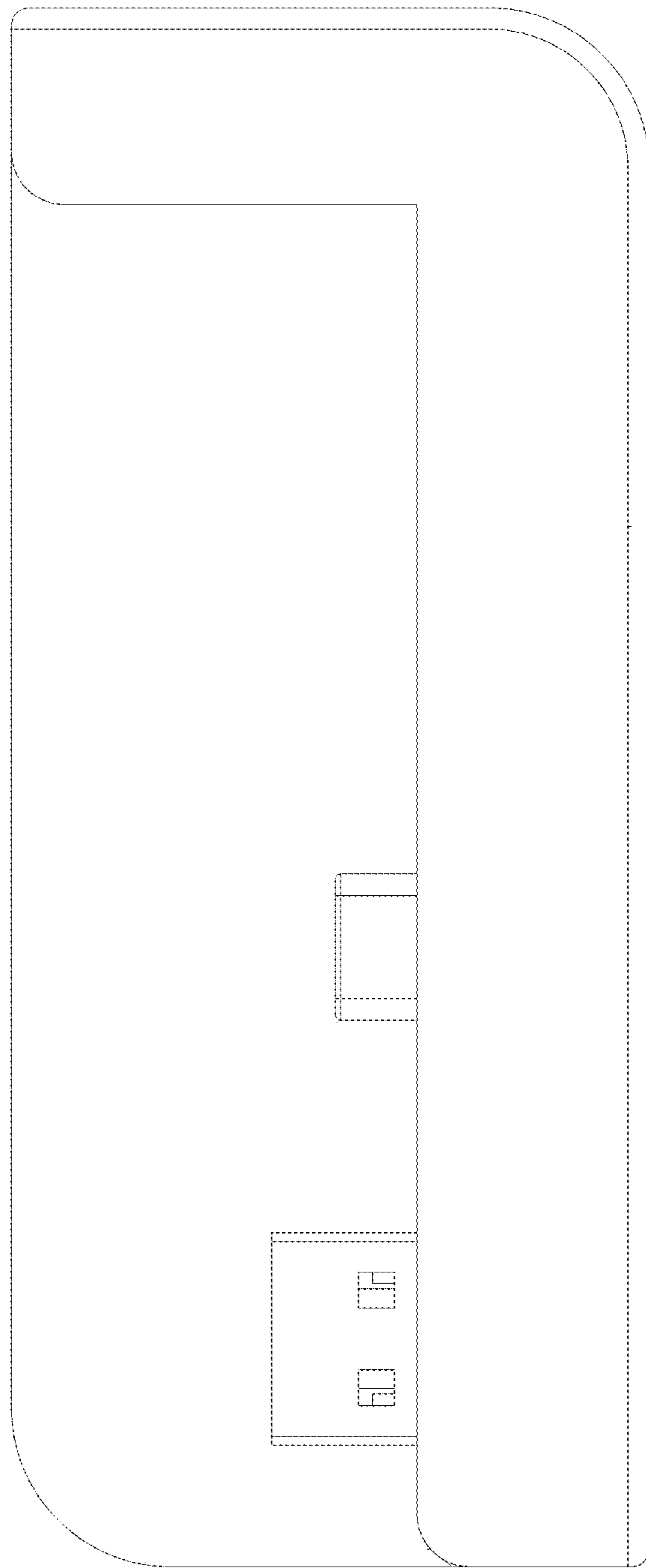


Fig. 3

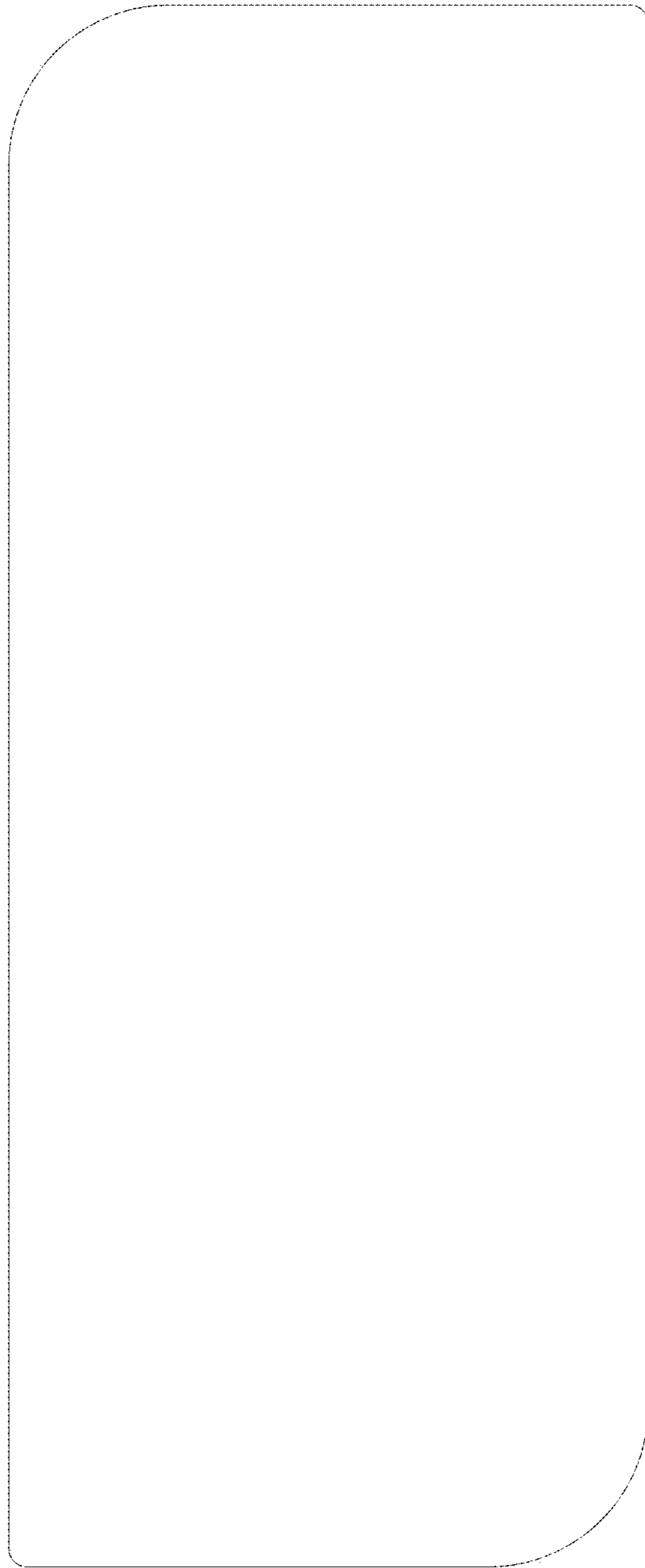


Fig.4

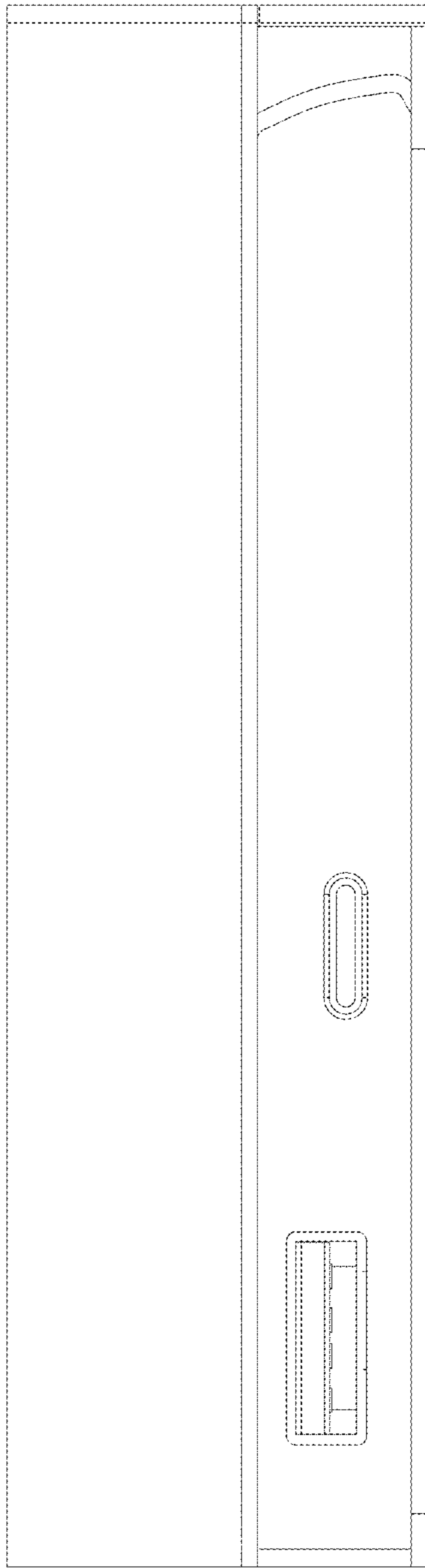


Fig. 5

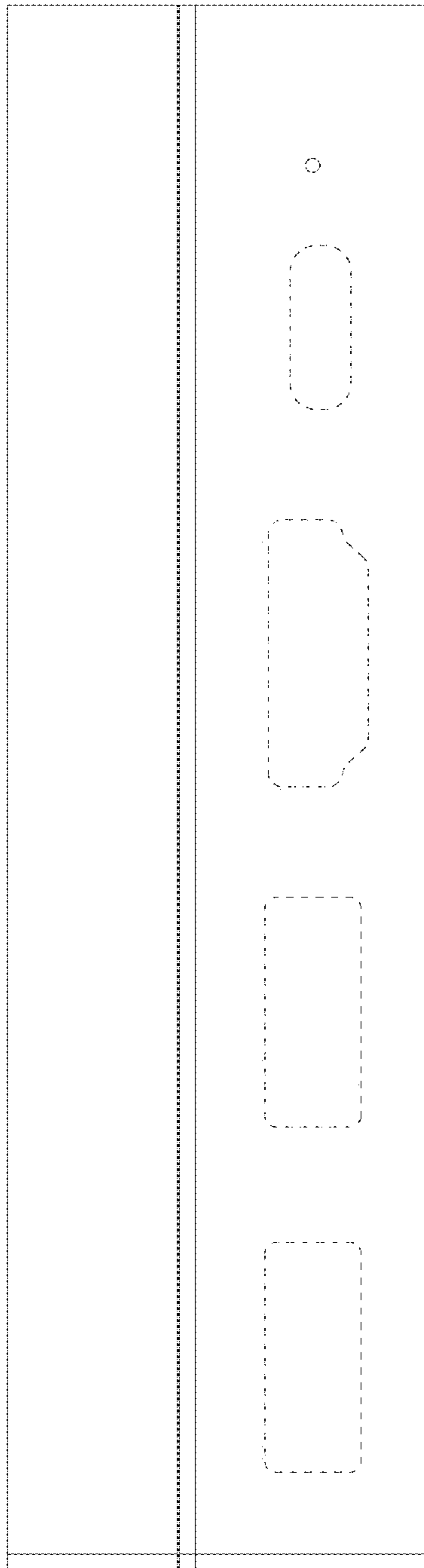


Fig. 6

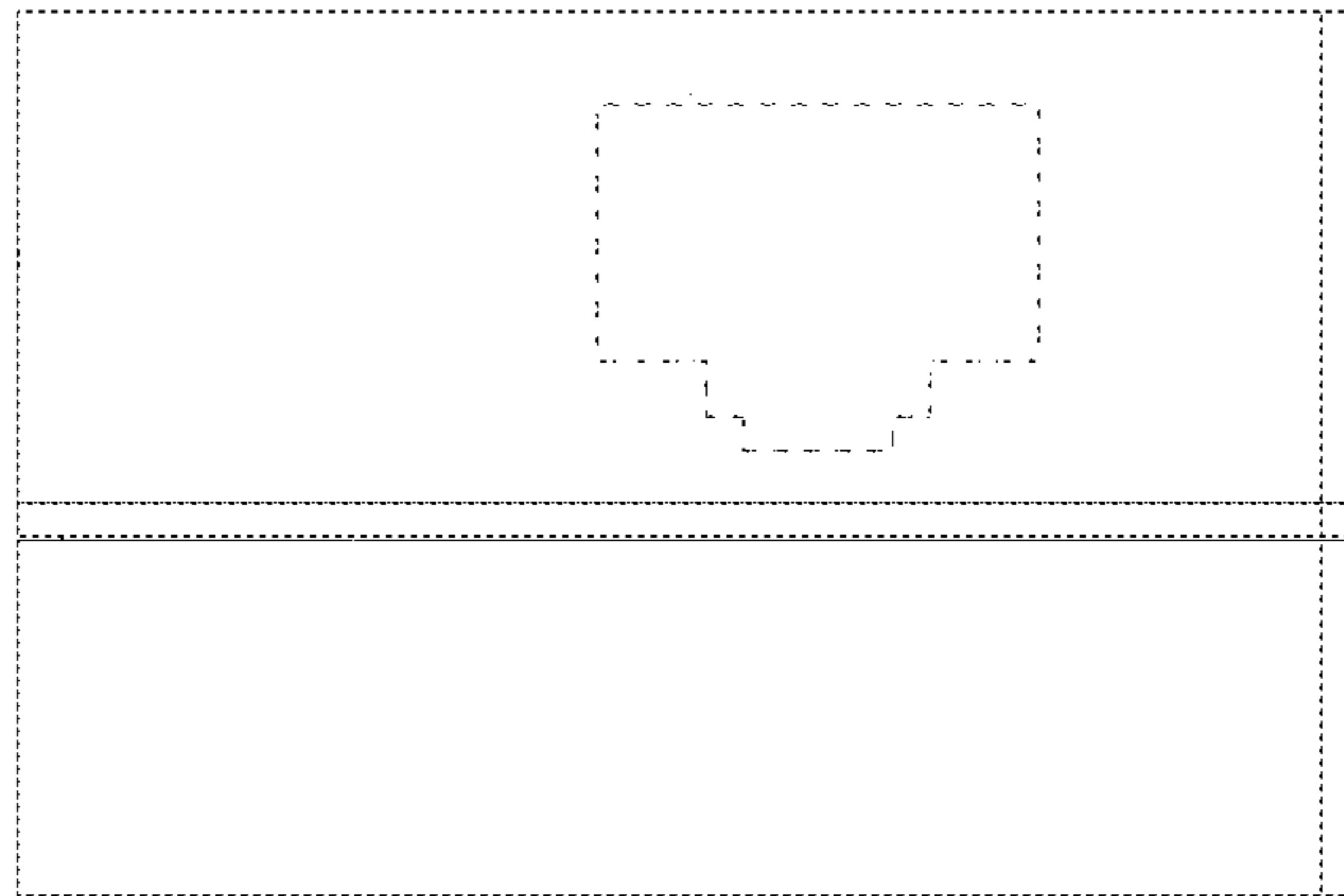


Fig. 7

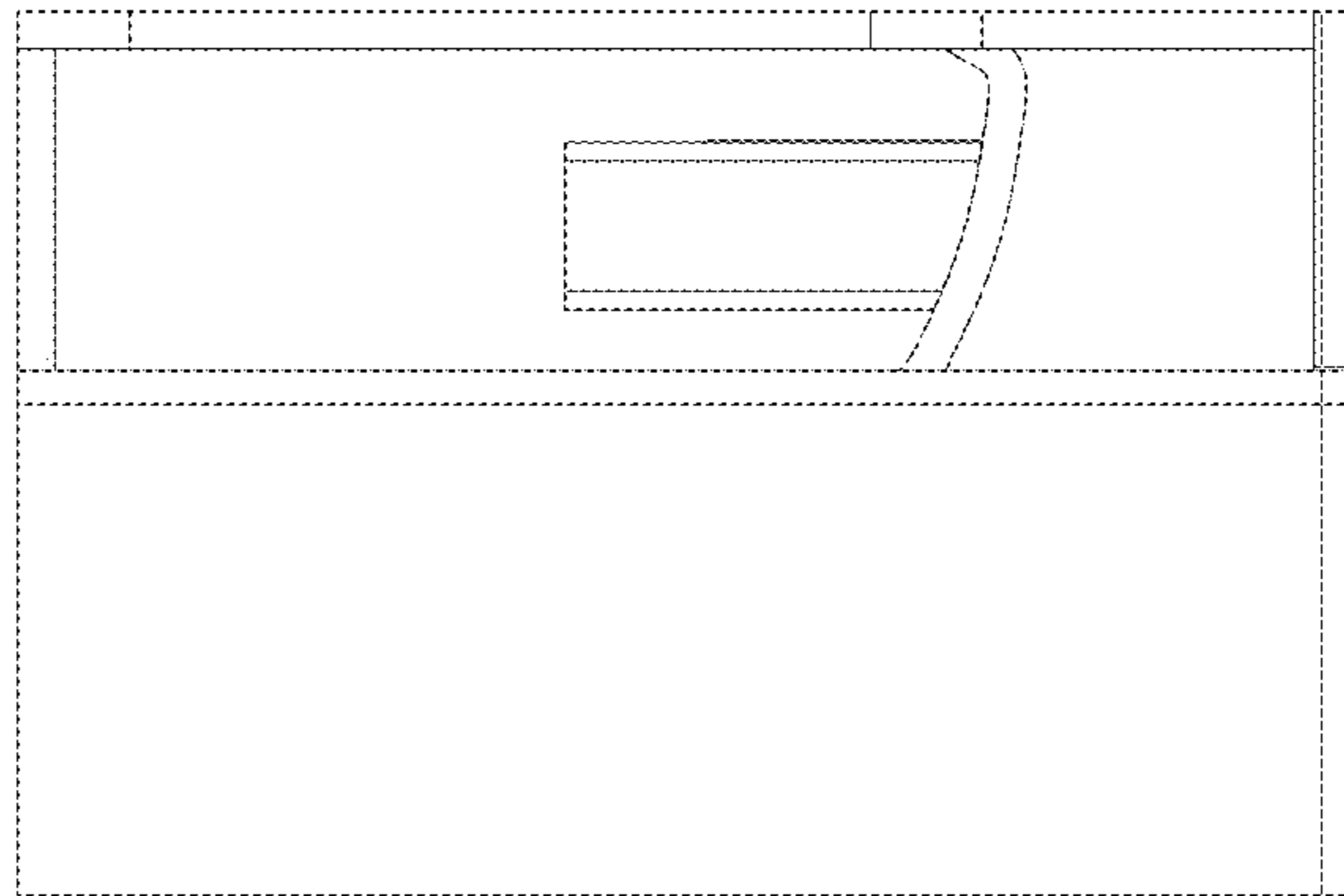


Fig. 8