



US00D953331S

(12) **United States Design Patent** (10) **Patent No.:** **US D953,331 S**  
**Sheng et al.** (45) **Date of Patent:** **\*\* May 31, 2022**

(54) **COVER FOR SCANNER**

(71) Applicant: **AVISION INC.**, Hsinchu (TW)

(72) Inventors: **Shao-Lan Sheng**, Hsinchu (TW);  
**Chao-Yu Peng**, Hsinchu (TW)

(73) Assignee: **AVISION INC.**, Hsinchu (TW)

(\*\*) Term: **15 Years**

(21) Appl. No.: **29/758,558**

(22) Filed: **Nov. 17, 2020**

(51) **LOC (13) Cl.** ..... **14-02**

(52) **U.S. Cl.**  
USPC ..... **D14/422**

(58) **Field of Classification Search**  
USPC ..... D14/421-425; D18/40, 36-39, 41,  
D18/44-56, 34.3; 235/462, 455, 470,  
235/462.43, 482, 483; 358/474, 486, 488,  
358/496, 498, 452, 449, 451, 453.1, 1.13,  
358/1.16; 318/685, 696; 355/81, 75;  
399/405, 367, 379, 380; 382/217;  
715/209, 222, 226, 274; 400/613,  
400/613.1-613.4, 690.1-690.4, 691-694;  
271/264, 127, 131, 117, 118, 162  
CPC ..... H04N 1/00; H04N 1/12; H04N 1/00013;  
H04N 1/00015; H04N 1/00018; H04N  
1/00026; H04N 1/00557; H04N 1/00564;  
H04N 1/00567; H04N 1/0057; H04N  
1/00572; H04N 1/00586; H04N 1/00588;  
H04N 1/00591; H04N 1/00594; H04N  
1/00596; H04N 1/00604; H04N 1/00519;  
H04N 1/00559; H04N 1/1013; H04N  
1/10; H04N 1/00551; H04N 1/00278;  
H04N 2201/0081; H04N 2201/0456;  
H04N 2201/0446; H04N 2201/00; H04N  
2201/0094; H04N 1/00525; H04N  
1/0049; H04N 1/00493; H04N 1/00496;  
H04N 1/00527; H04N 1/0053; H04N  
1/00533; H04N 1/00535; H04N 1/00538;  
H04N

(Continued)

(56) **References Cited**

U.S. PATENT DOCUMENTS

5,816,674 A \* 10/1998 Manos ..... A47B 87/0284  
D9/425

D427,165 S \* 6/2000 Knoblauch ..... D14/457  
(Continued)

FOREIGN PATENT DOCUMENTS

JP 1447552 7/2012  
JP 1576438 5/2017  
JP 1565354 11/2019

*Primary Examiner* — Susan Moon Lee  
(74) *Attorney, Agent, or Firm* — Winston Hsu

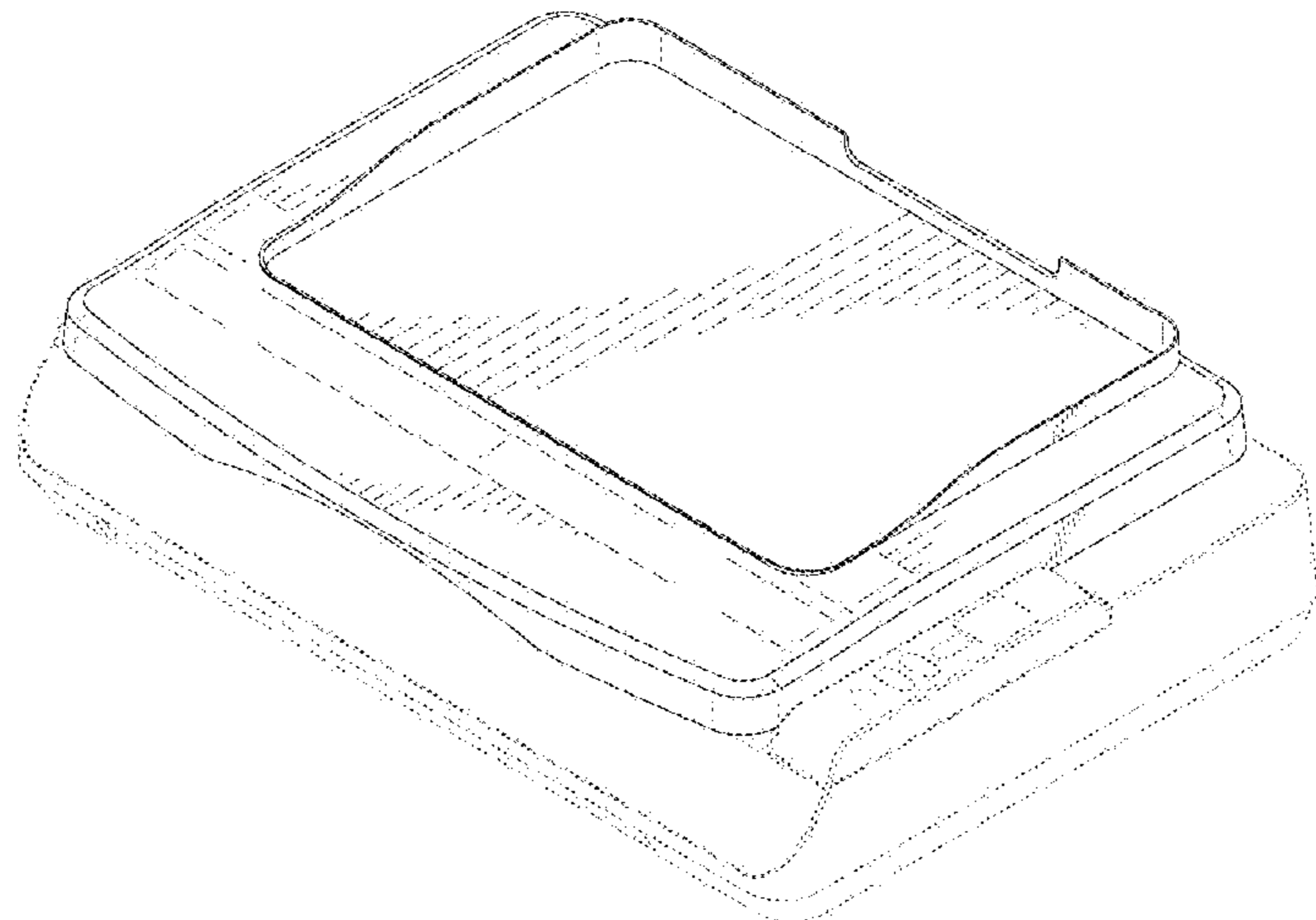
(57) **CLAIM**

The ornamental design for a cover for scanner, as shown and described.

**DESCRIPTION**

FIG. 1 is a top, front, right side perspective view of a cover for scanner showing our new design;  
FIG. 2 is a bottom, rear, left side perspective view thereof;  
FIG. 3 is a front elevation view thereof;  
FIG. 4 is a rear elevation view thereof;  
FIG. 5 is a left side elevation view thereof;  
FIG. 6 is a right side elevation view thereof;  
FIG. 7 is a top plan view thereof;  
FIG. 8 is a bottom plan view thereof; and,  
FIG. 9 is a top, front, right side perspective view of the cover for scanner, shown in a condition of use.  
The broken lines in the drawings depict portions of the cover for scanner that form no part of the claimed design. The broken line showing of a device resting on top of the cover for scanner in FIG. 9 illustratively depicts an exemplary in-use element that forms no part of the design claim but is included to show the invention in context.

**1 Claim, 9 Drawing Sheets**



(58) **Field of Classification Search**

CPC ..... 1/00541; H04N 1/00543; H04N 1/00037;  
 H04N 1/00092; H04N 1/00702; H04N  
 1/02815; H04N 1/4076; H04N 1/40056;  
 H04N 1/02845; G03G 15/0142; G03G  
 15/605; G03G 15/602; B65H 5/26; B65H  
 5/30; B65H 7/00; B65H 2402/515; B65H  
 2402/31; B65H 2511/20; B65H 2511/414;  
 B65H 2511/00194; B65H 2511/00198;  
 B65H 2511/00202; B65H 2511/00206;  
 B65H 2301/00; B65H 2220/04; B65H  
 3/5261; B65H 2513/42

See application file for complete search history.

(56) **References Cited**

U.S. PATENT DOCUMENTS

D480,418	S	*	10/2003	Evers	.....	D18/55
D491,220	S	*	6/2004	Whitehorn	.....	D18/50
D494,215	S	*	8/2004	Evers	.....	D18/55
D678,402	S	*	3/2013	Sato	.....	D18/50
D681,720	S	*	5/2013	Inada	.....	D18/50
D689,864	S	*	9/2013	Vaughan	.....	D14/421
D705,781	S	*	5/2014	Yin	.....	D14/421
D744,030	S	*	11/2015	Kim	.....	D18/50
D783,088	S	*	4/2017	Francke	.....	D18/56
D815,683	S	*	4/2018	Tanaka	.....	D18/50
D815,684	S	*	4/2018	Tashima	.....	D18/50
D816,156	S	*	4/2018	Tanaka	.....	D18/56
D818,527	S	*	5/2018	Inada	.....	D18/50
D864,290	S	*	10/2019	Minami	.....	D18/50
D898,821	S	*	10/2020	Lim	.....	D18/50
D929,410	S	*	8/2021	Ho	.....	D14/457
2017/0182805	A1	*	6/2017	Kawai	.....	B41J 11/663

\* cited by examiner

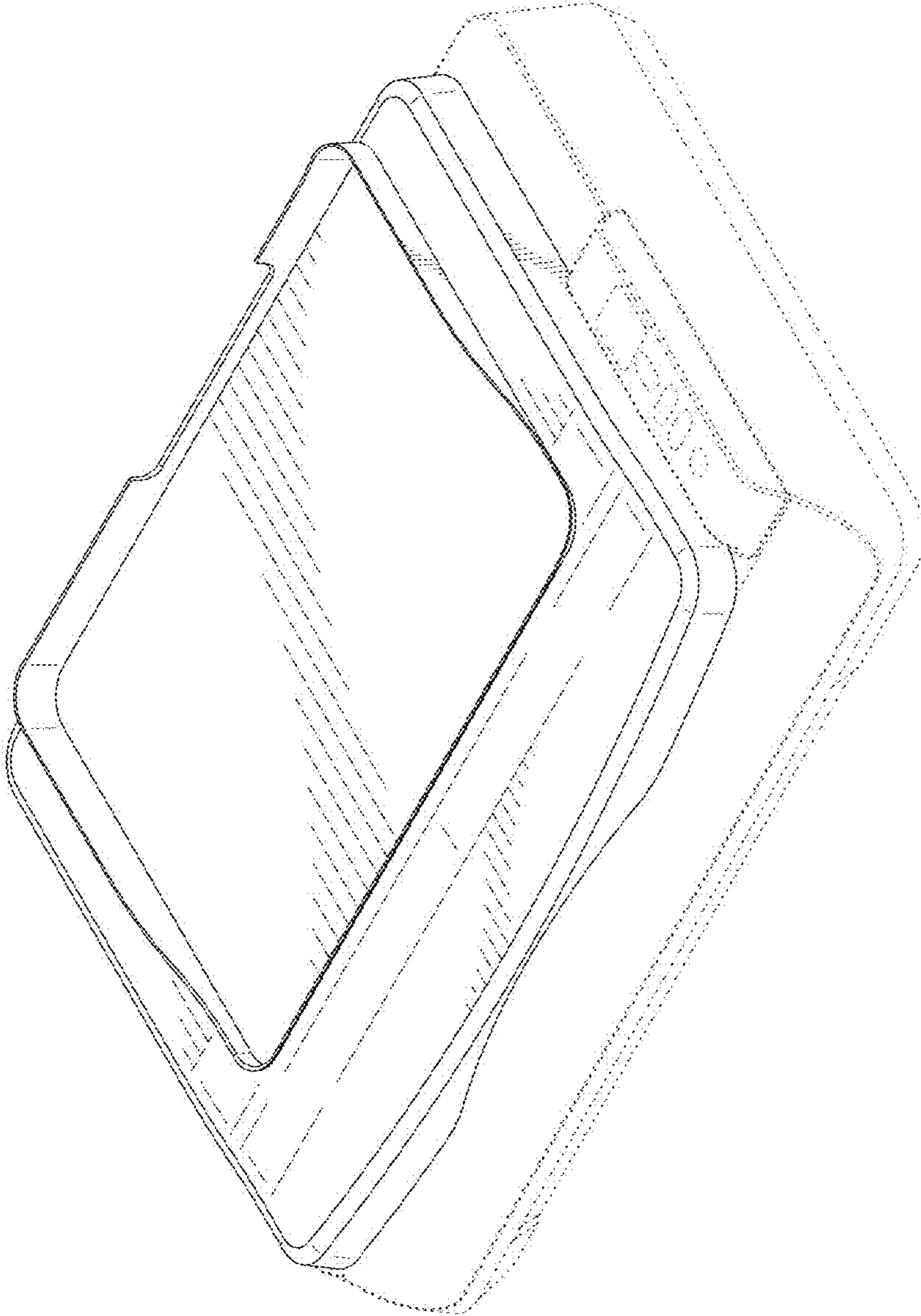


FIG. 1

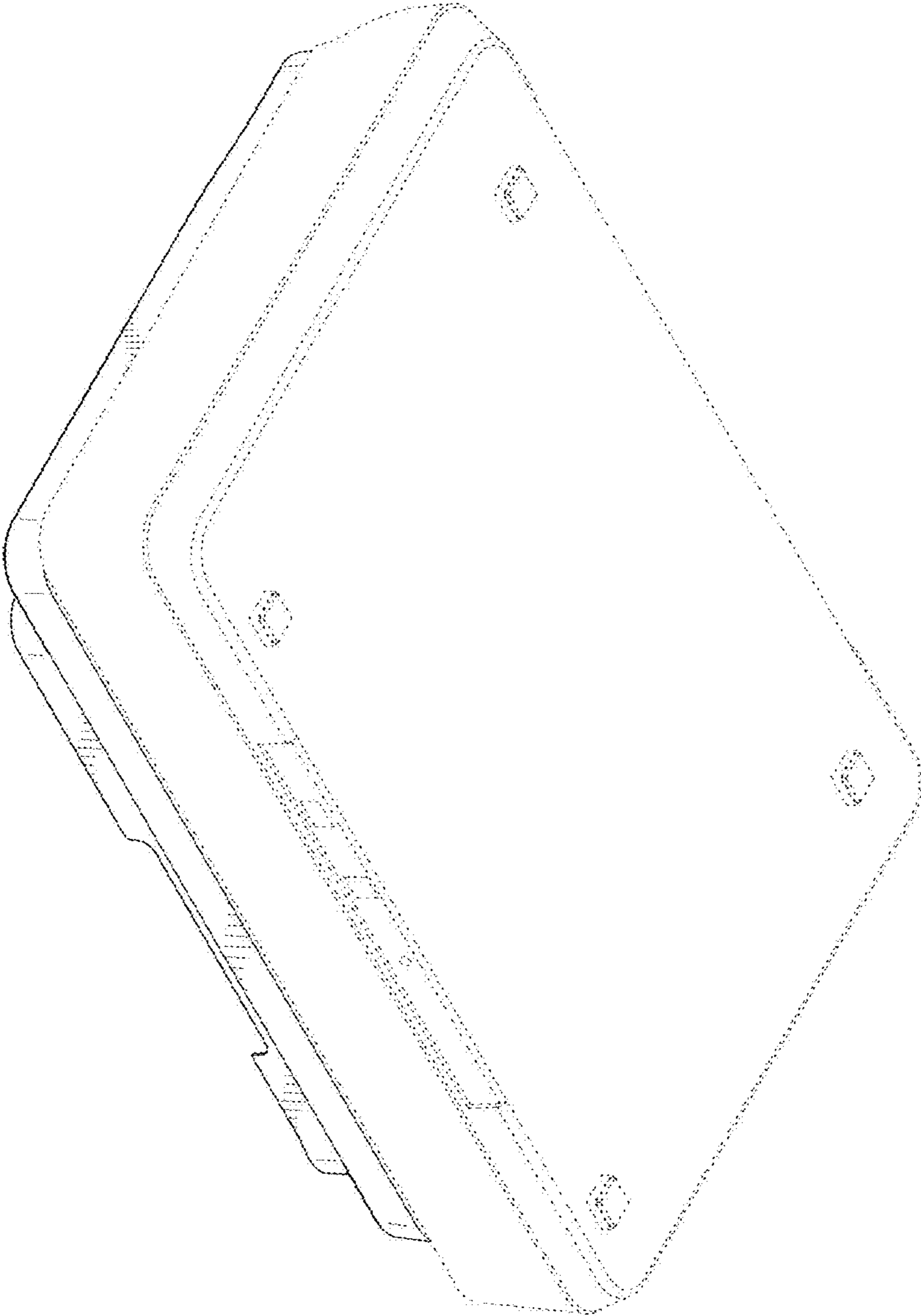


FIG. 2

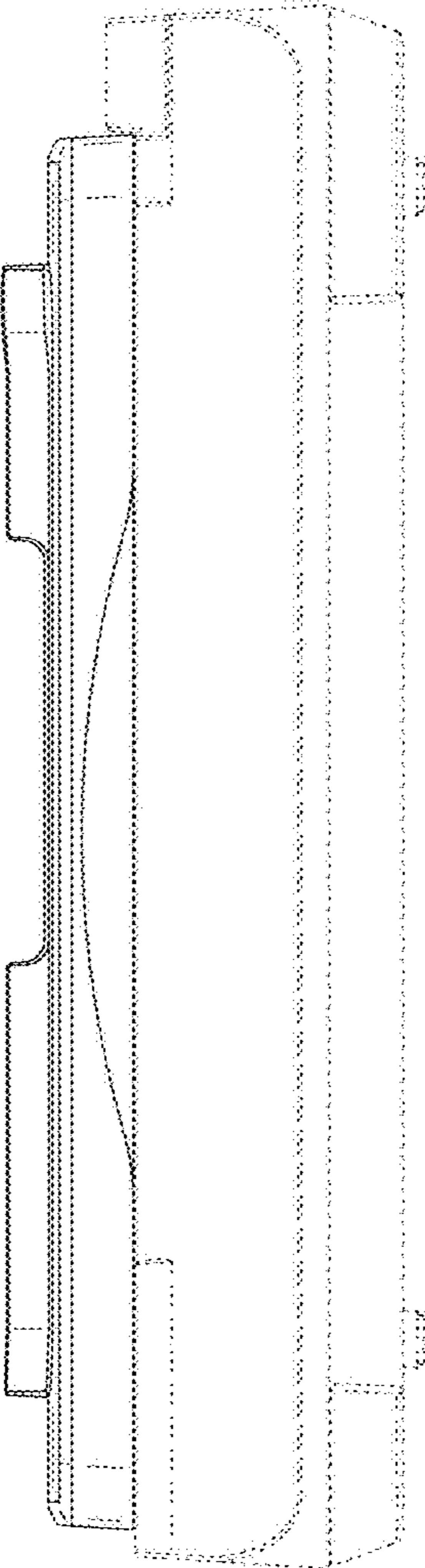


FIG. 3

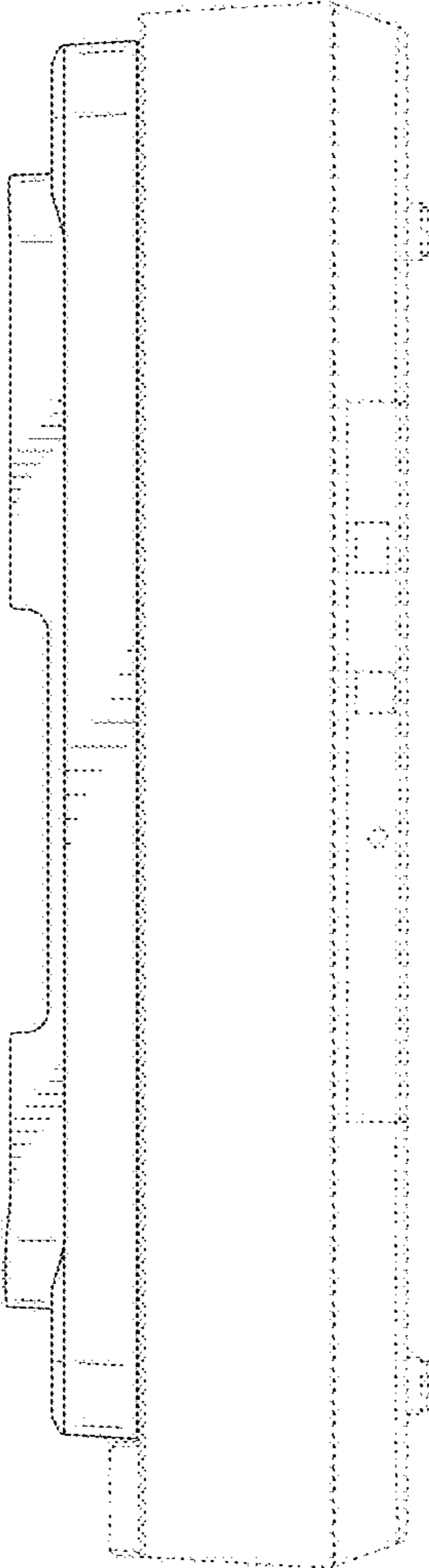


FIG. 4

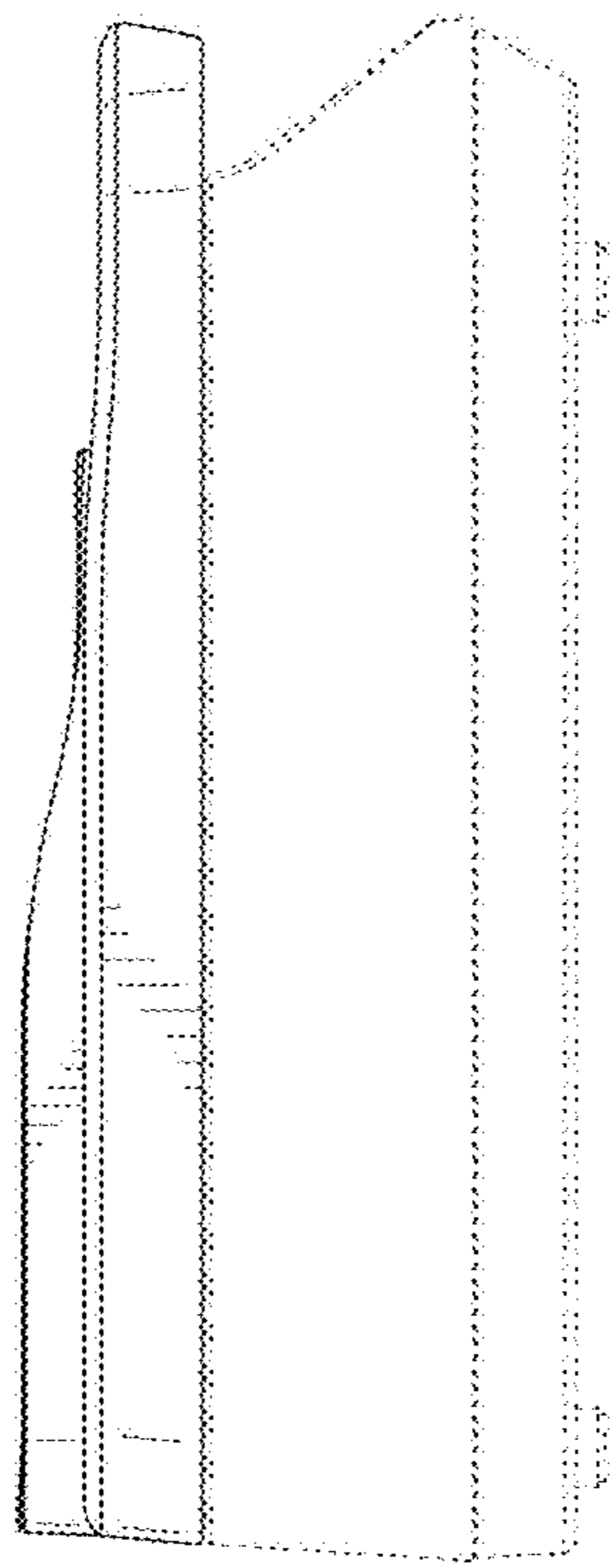


FIG. 5

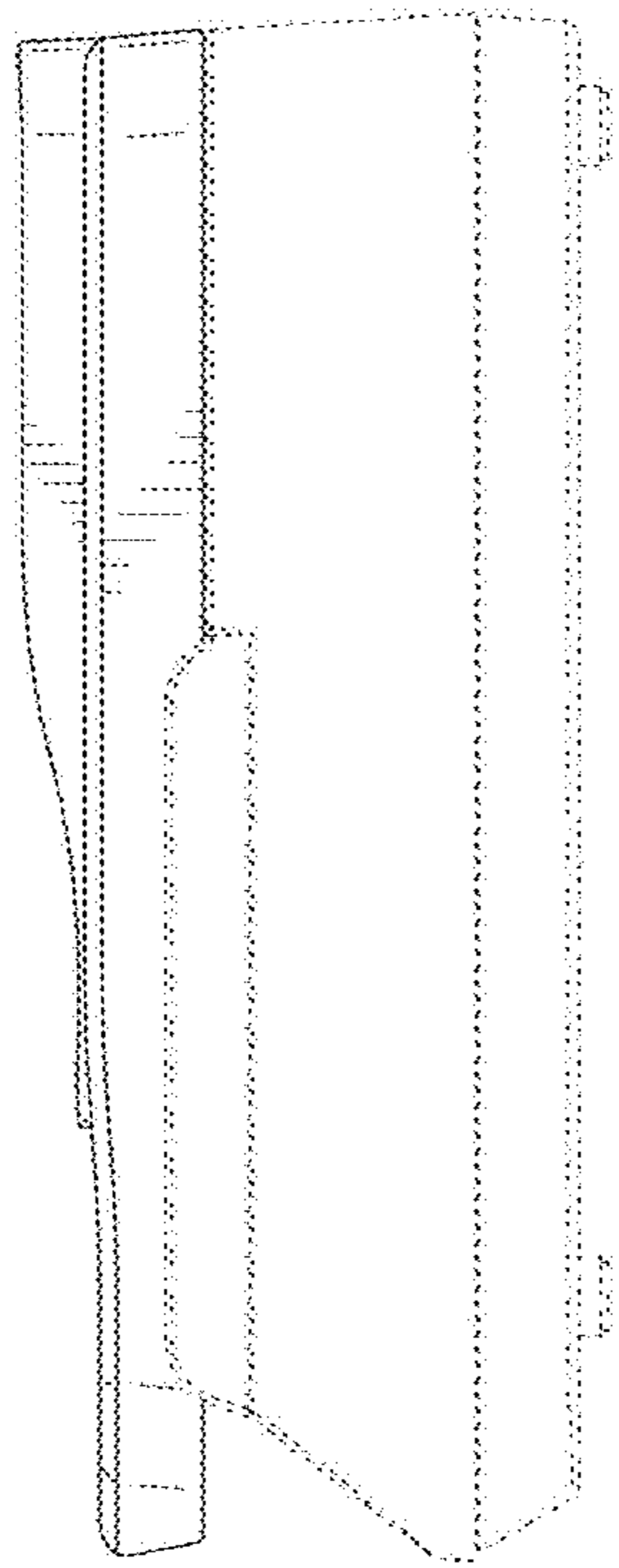


FIG. 6



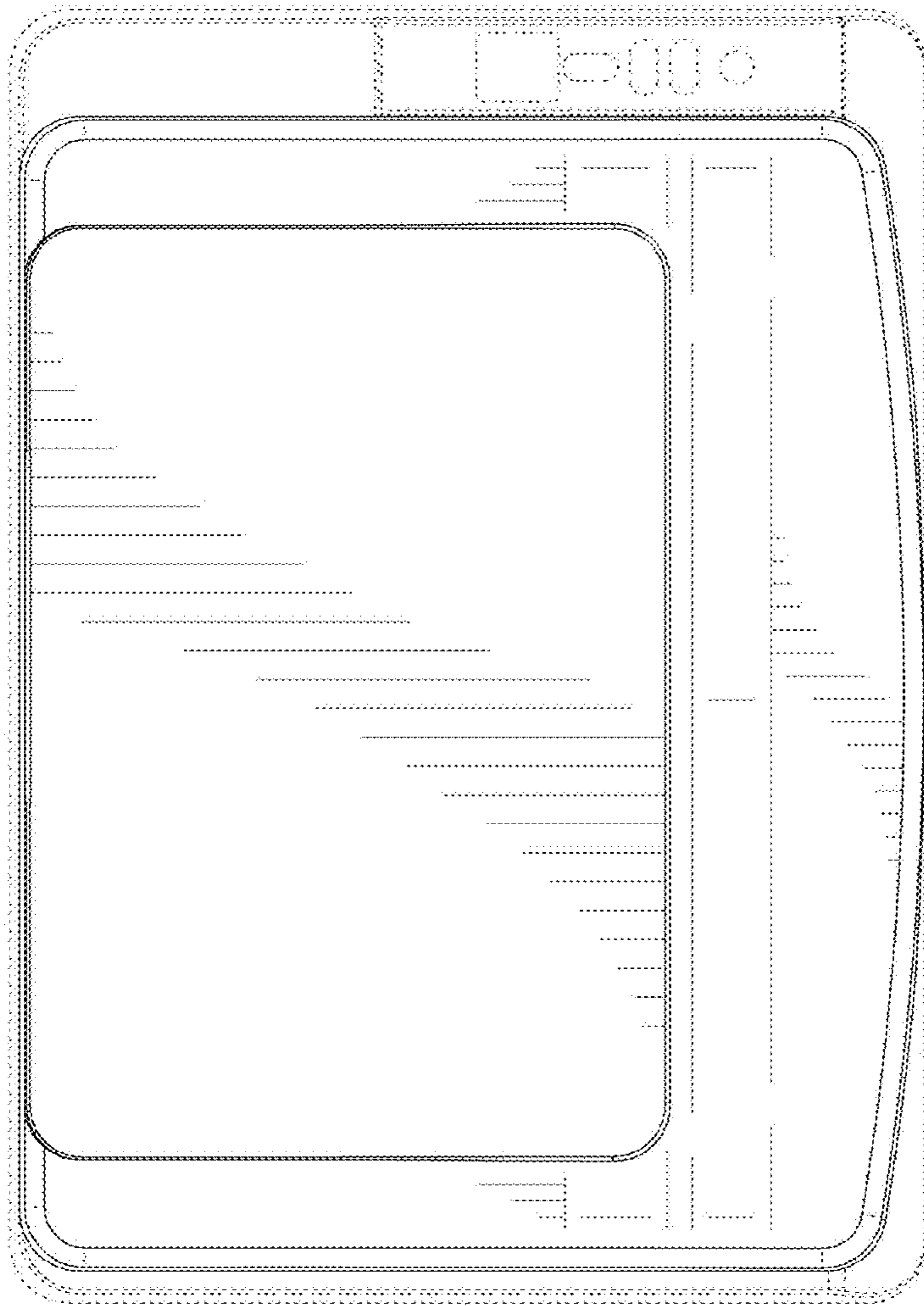


FIG. 7

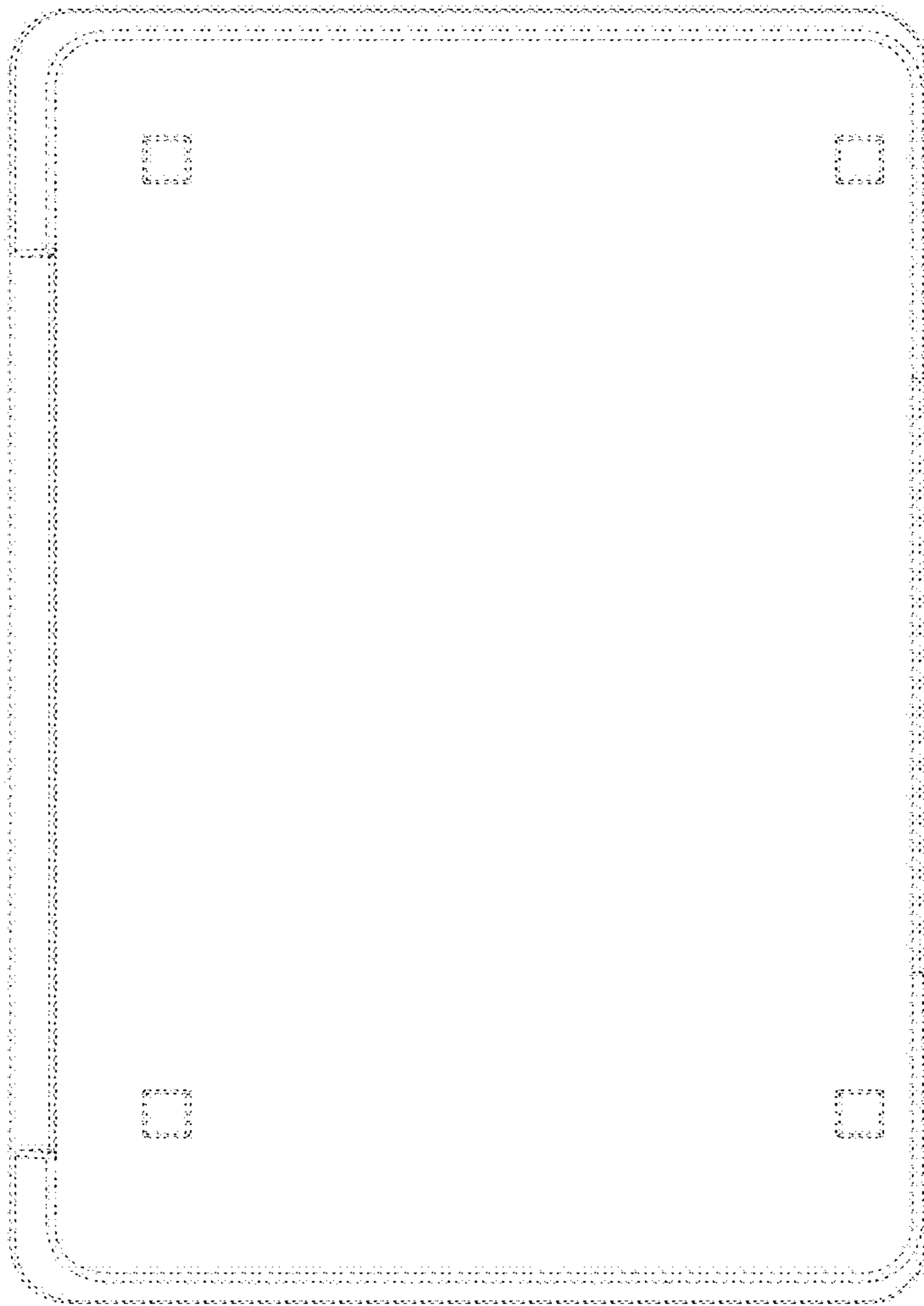


FIG. 8

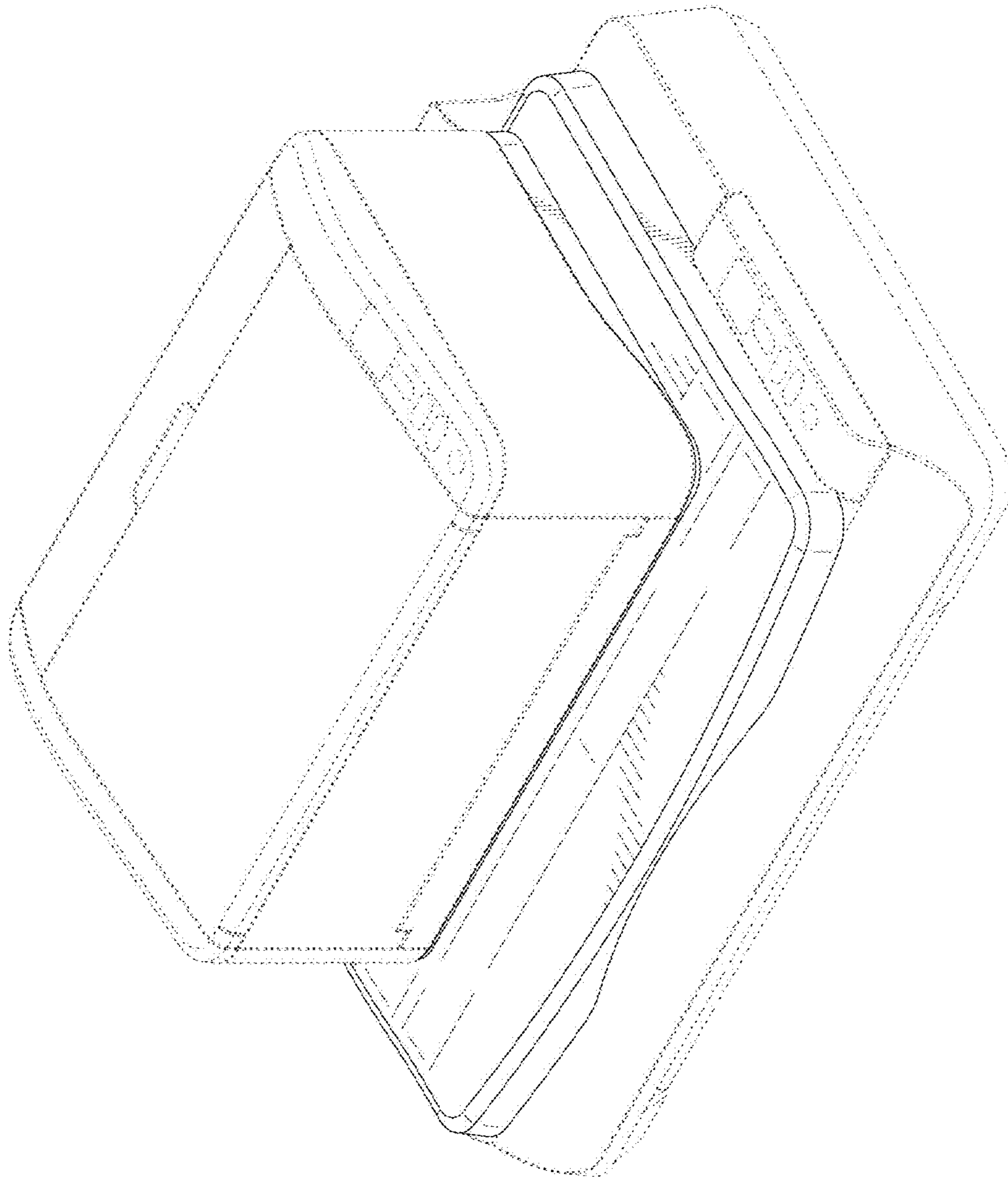


FIG. 9