



US00D953330S

(12) **United States Design Patent**  
**Liu**

(10) **Patent No.:** **US D953,330 S**

(45) **Date of Patent:** **\*\* May 31, 2022**

(54) **SMART CARD READER**

(71) Applicant: **Top High Technology Co., LTD,**  
Shenzhen (CN)

(72) Inventor: **Ronghua Liu,** Shenzhen (CN)

(\*\*) Term: **15 Years**

(21) Appl. No.: **29/797,027**

(22) Filed: **Jun. 29, 2021**

(51) **LOC (13) Cl.** ..... **14-02**

(52) **U.S. Cl.**  
USPC ..... **D14/385**

(58) **Field of Classification Search**  
USPC ..... D18/4.4, 4.5, 4.6, 12, 12.1, 12.3;  
D14/383, 384, 385, 386, 378, 420, 427,  
D14/432-439, 447, 453; D13/107, 108,  
D13/133, 146, 147, 152, 154, 156;  
235/441, 451, 492, 380, 439, 375  
CPC ..... G06K 19/07749; G06K 19/0723; G06K  
19/041; G06K 19/07758; G06K 19/0775;  
G06K 19/07783; G06K 19/07794; G06K  
19/06046; G06K 19/07722; G06K  
19/07773; G06K 19/07779; G06K  
19/07784; G06K 19/07786; G06K  
19/0709

See application file for complete search history.

(56) **References Cited**

**U.S. PATENT DOCUMENTS**

D445,422 S 7/2001 Hsin  
D571,805 S 6/2008 Leung et al.

D580,438 S \* 11/2008 Kuchler ..... D14/385  
D740,285 S \* 10/2015 Templeton ..... D14/385  
D774,510 S \* 12/2016 Rotsaert ..... D14/385  
D822,023 S \* 7/2018 Huff ..... D14/385  
D823,935 S \* 7/2018 Wang ..... D18/4.6  
D913,365 S \* 3/2021 Chuang ..... D18/4.6  
D916,955 S \* 4/2021 Lee ..... D18/4.6  
D923,623 S \* 6/2021 DeFazio ..... D14/385  
D930,649 S \* 9/2021 Matsue ..... D14/385  
D936,054 S \* 11/2021 Wang ..... D14/385

\* cited by examiner

*Primary Examiner* — Austin Murphy

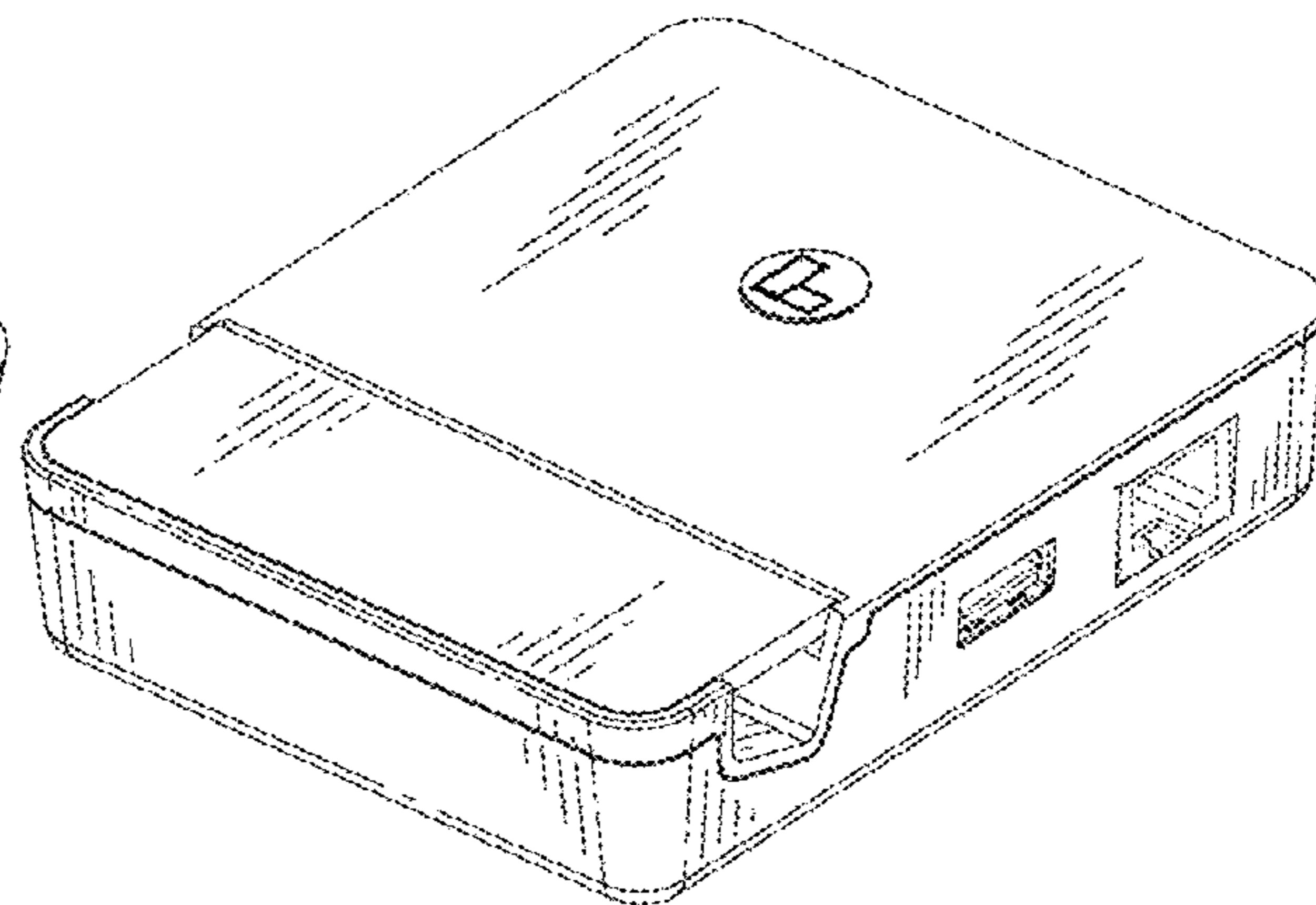
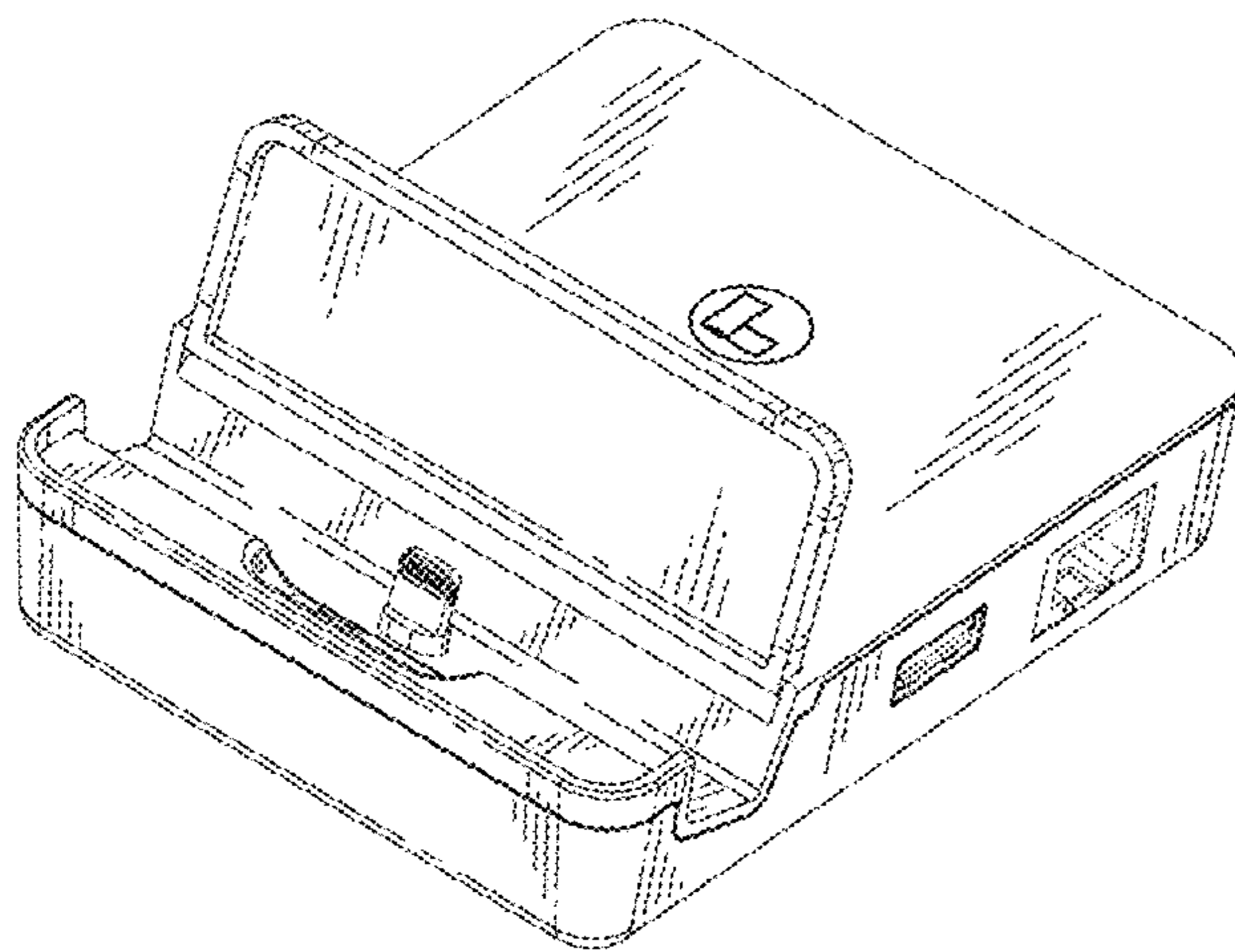
(57) **CLAIM**

The ornamental design for a smart card reader, as shown and described.

**DESCRIPTION**

FIG. 1 is a perspective view of a smart card reader, showing my new design;  
FIG. 2 is a perspective view of close state thereof;  
FIG. 3 is a front view thereof;  
FIG. 4 is a rear view thereof;  
FIG. 5 is a left side view thereof;  
FIG. 6 is a right side view thereof;  
FIG. 7 is a top plan view thereof; and,  
FIG. 8 is a bottom plan view thereof.  
The dashed or broken lines shown in the drawings depict portions of the smart card reader in which the design is embodied that form no part of the claimed design.

**1 Claim, 8 Drawing Sheets**



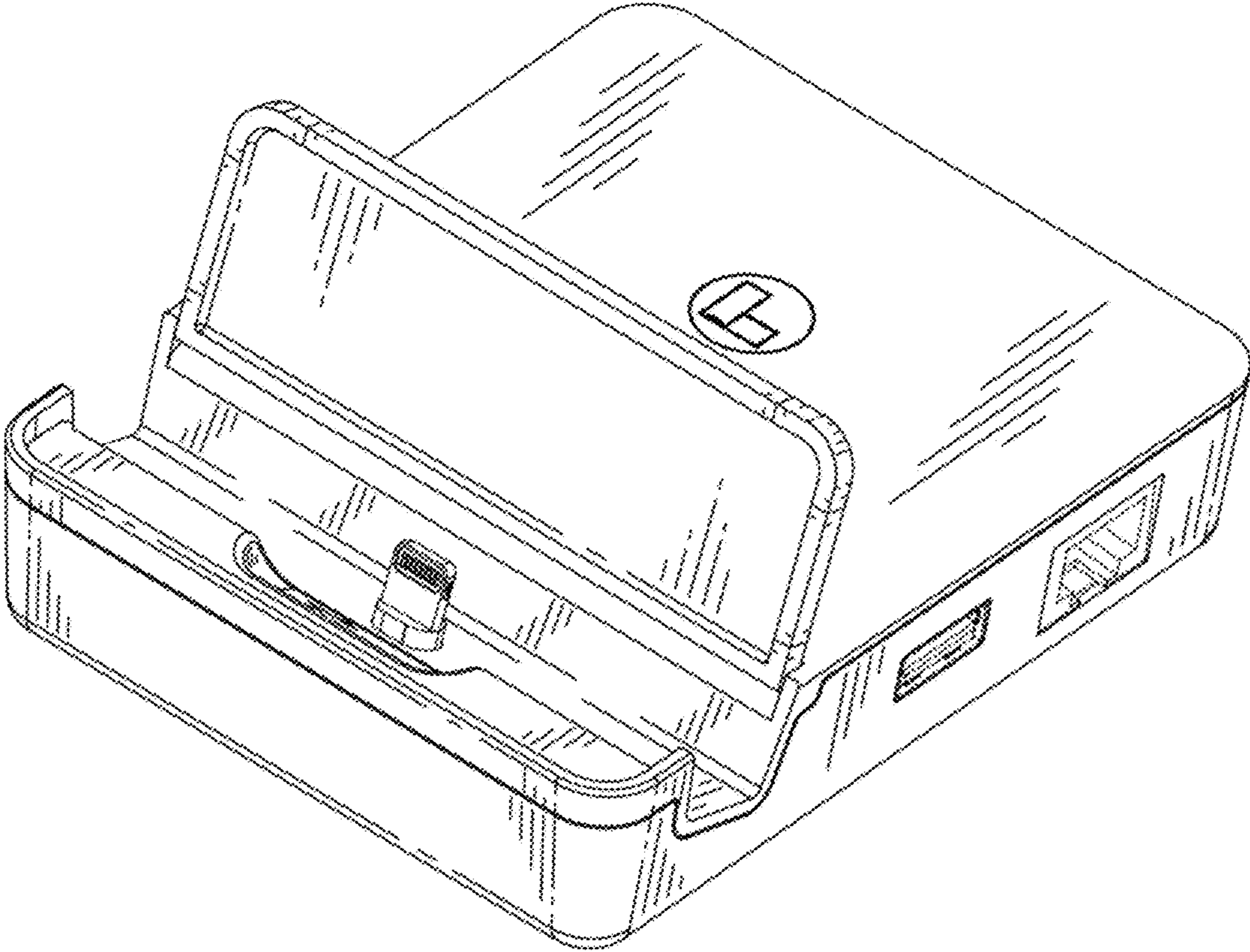


FIG.1

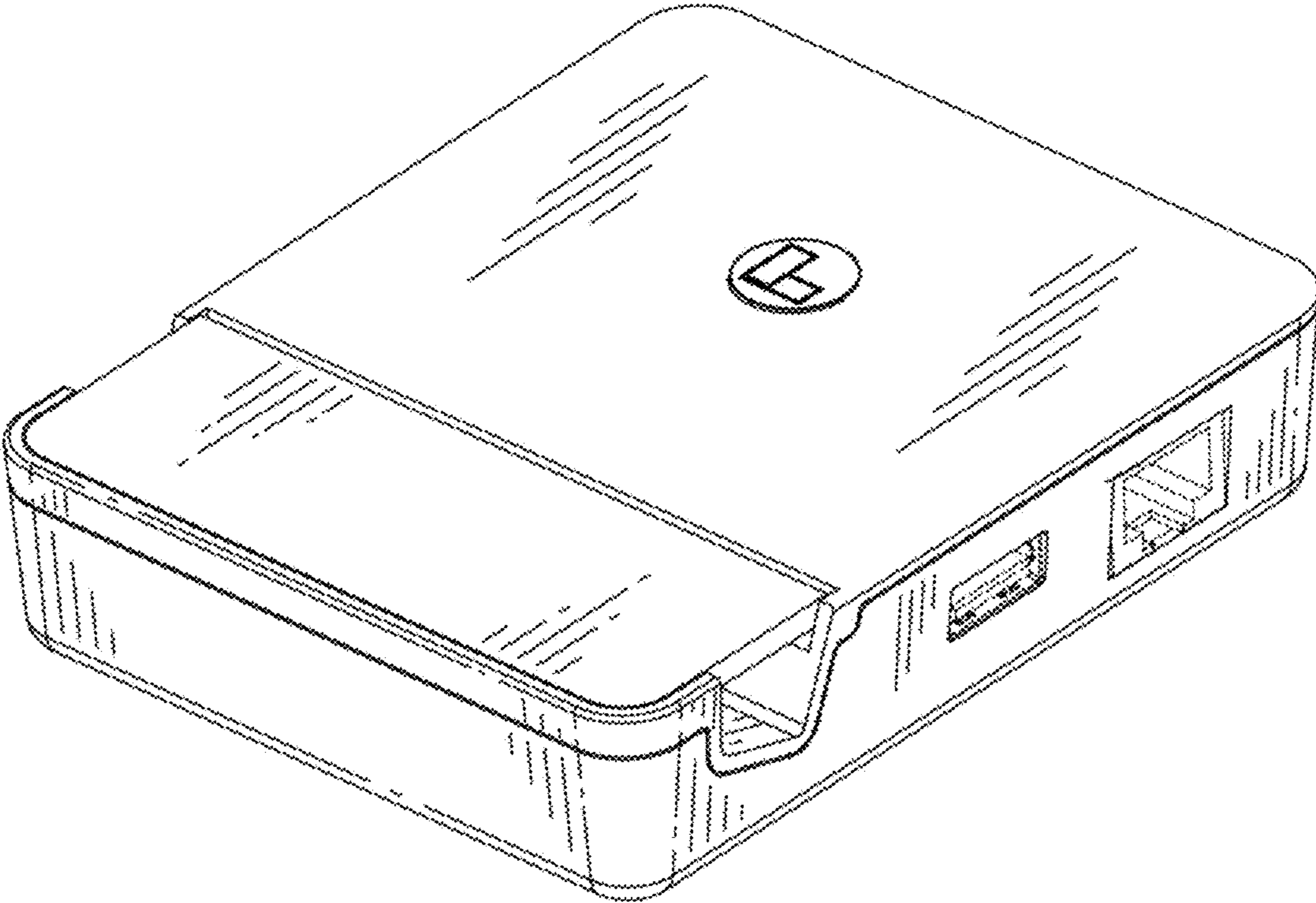


FIG.2

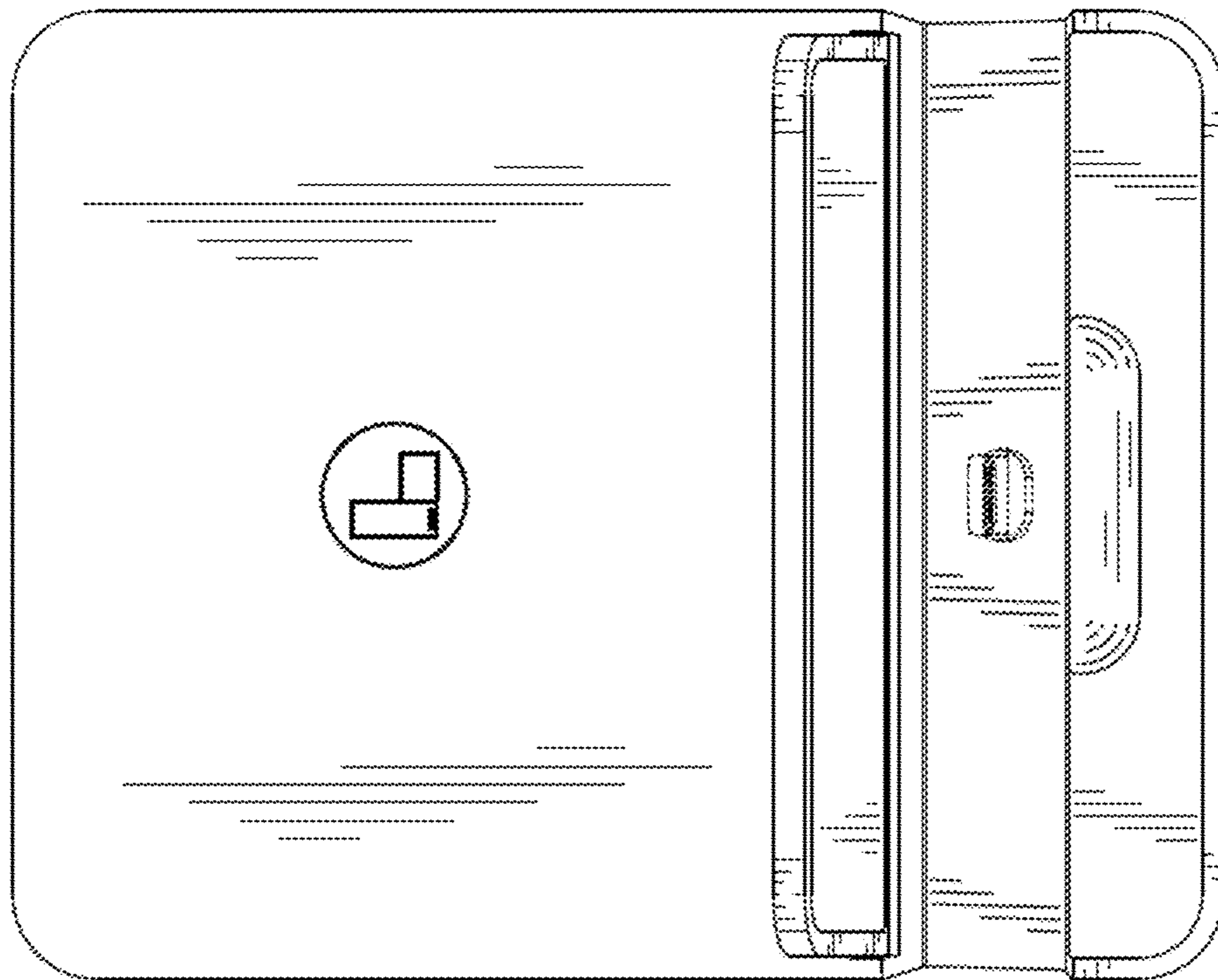


FIG.3

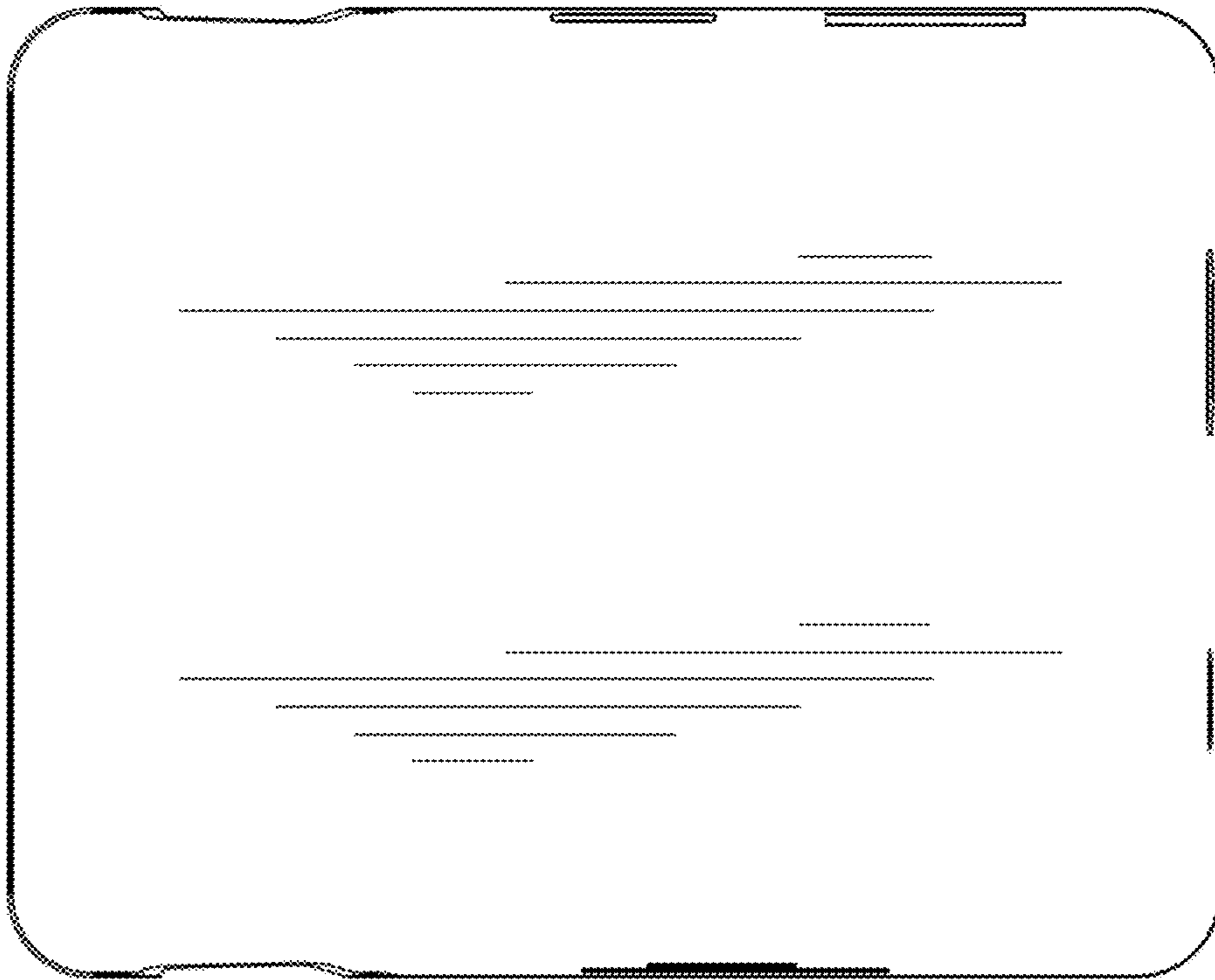


FIG.4

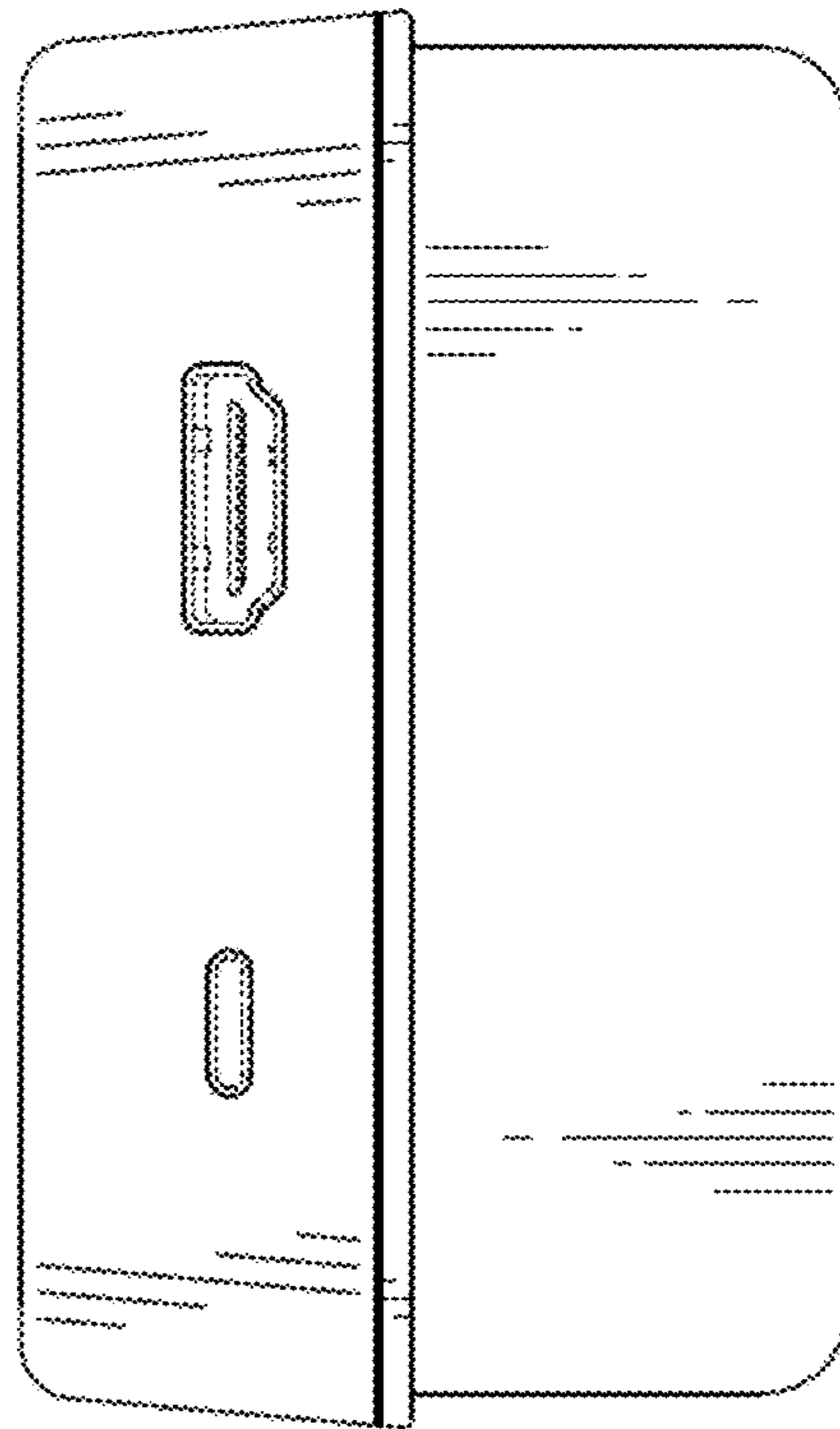


FIG.5

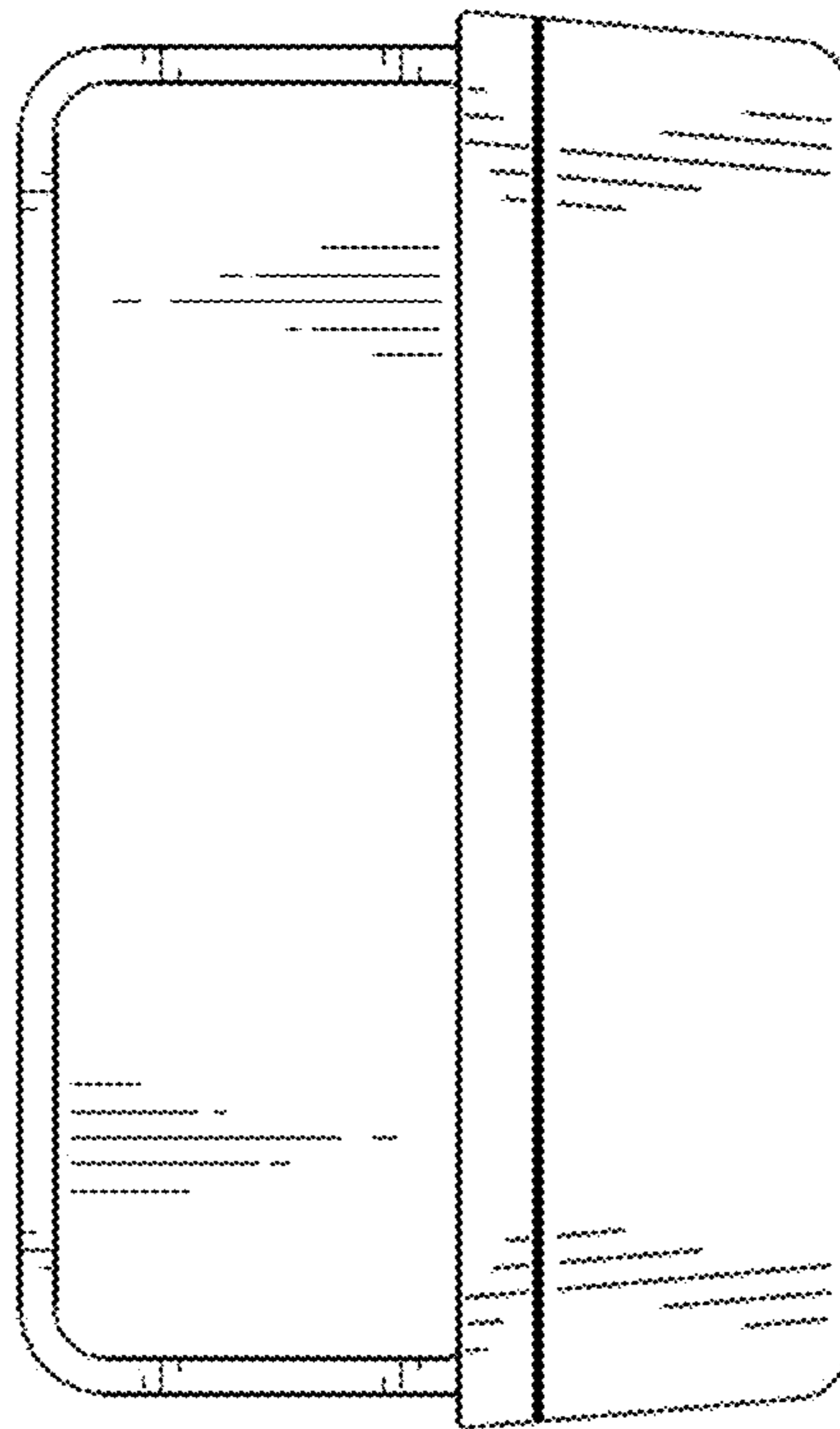


FIG. 6

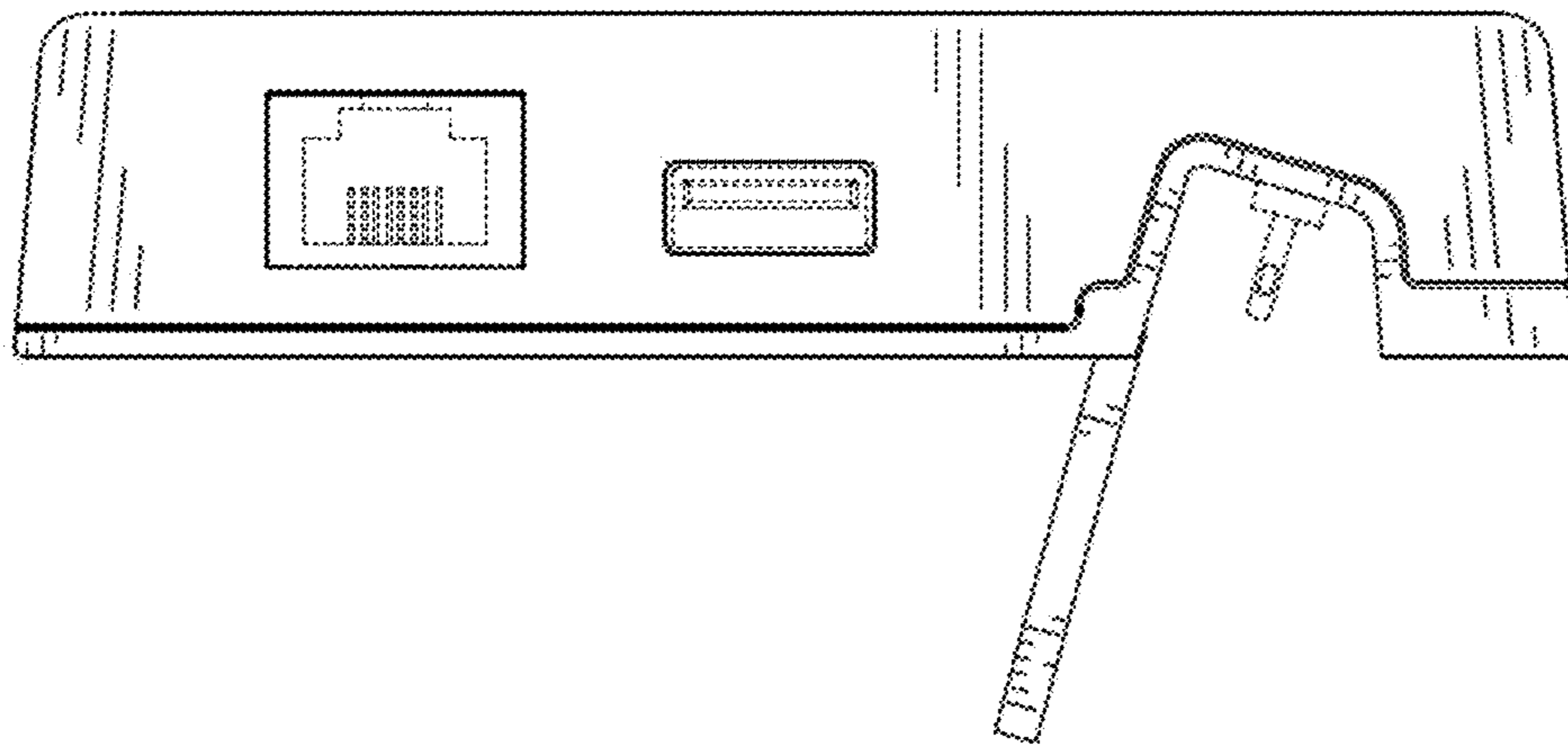


FIG.7



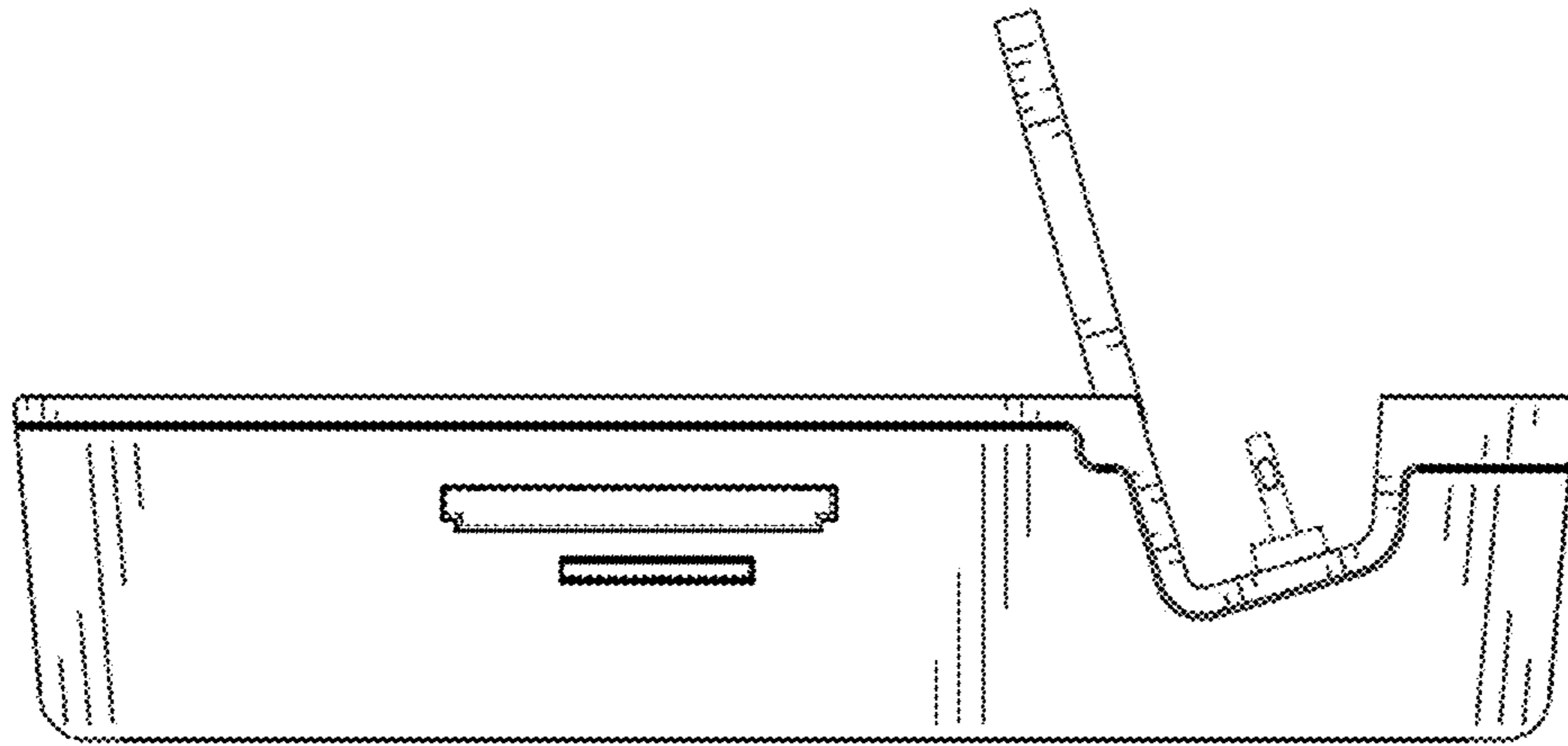


FIG.8