



US00D953328S

(12) **United States Design Patent**  
**Forsland**

(10) **Patent No.:** **US D953,328 S**

(45) **Date of Patent:** **\*\* May 31, 2022**

(54) **BRAIN-COMPUTER INTERFACE (BCI)  
HEADSET**

(71) Applicant: **Cognixion**, Santa Barbara, CA (US)

(72) Inventor: **Andreas Forsland**, Santa Barbara, CA (US)

(73) Assignee: **Cognixion**, Santa Babara, CA (US)

(\*\*) Term: **15 Years**

(21) Appl. No.: **29/766,625**

(22) Filed: **Jan. 16, 2021**

(51) **LOC (13) Cl.** ..... **14-02**

(52) **U.S. Cl.**  
USPC ..... **D14/372**

(58) **Field of Classification Search**  
USPC ..... D14/372, 496, 432, 371, 125, 126, 129,  
D14/299; D16/300–342; 351/158, 153,  
351/144; 345/7–9, 905; 455/344;  
348/115, 53, 121, 739  
CPC ..... G02B 27/017; G02B 27/0158; G02B  
27/0161; G02B 27/0181; G02B 27/0185;  
G02B 27/0189

See application file for complete search history.

(56) **References Cited**

U.S. PATENT DOCUMENTS

D829,208 S	*	9/2018	Dallmeyer	.....	D14/372
D889,464 S	*	7/2020	Wang	.....	D14/372
D904,402 S	*	12/2020	Marquis	.....	D14/372
D905,055 S	*	12/2020	Shao	.....	D14/206
D916,702 S	*	4/2021	Newsom	.....	D14/372
D924,234 S	*	7/2021	Meng	.....	D14/372

D925,530 S	*	7/2021	Morris	.....	D14/372
D928,151 S	*	8/2021	Hu	.....	D14/372
D931,278 S	*	9/2021	Pombo	.....	D14/372
D932,488 S	*	10/2021	Huang	.....	D14/372
D939,017 S	*	12/2021	Liang	.....	D16/339

\* cited by examiner

*Primary Examiner* — Austin Murphy

(74) *Attorney, Agent, or Firm* — Rowan TELS LLC

(57) **CLAIM**

The ornamental design for a brain-computer interface (BCI) headset, as shown and described.

**DESCRIPTION**

FIG. 1 illustrates a front perspective view of a BCI headset showing the new design;

FIG. 2 illustrates a front orthogonal view thereof;

FIG. 3 illustrates a right orthogonal view thereof;

FIG. 4 illustrates a rear orthogonal view thereof;

FIG. 5 illustrates a left orthogonal view thereof;

FIG. 6 illustrates a bottom orthogonal view thereof;

FIG. 7 illustrates a top orthogonal view thereof;

FIG. 8 illustrates a right perspective view thereof; and

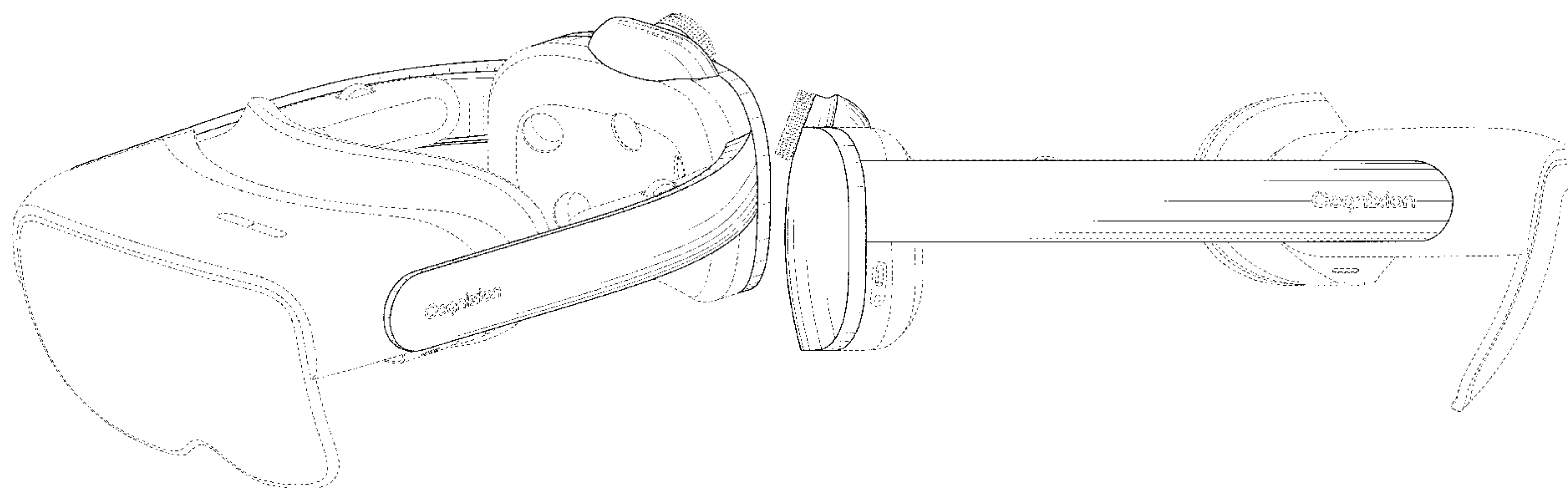
FIG. 9 illustrates a left perspective view thereof.

FIG. 10 illustrates a top perspective exploded view of the BCI headset; and,

FIG. 11 illustrates a bottom perspective exploded view thereof.

The broken lines shown are included for the purpose of illustrating the environment of the design only and form no part of the claimed design.

**1 Claim, 11 Drawing Sheets**



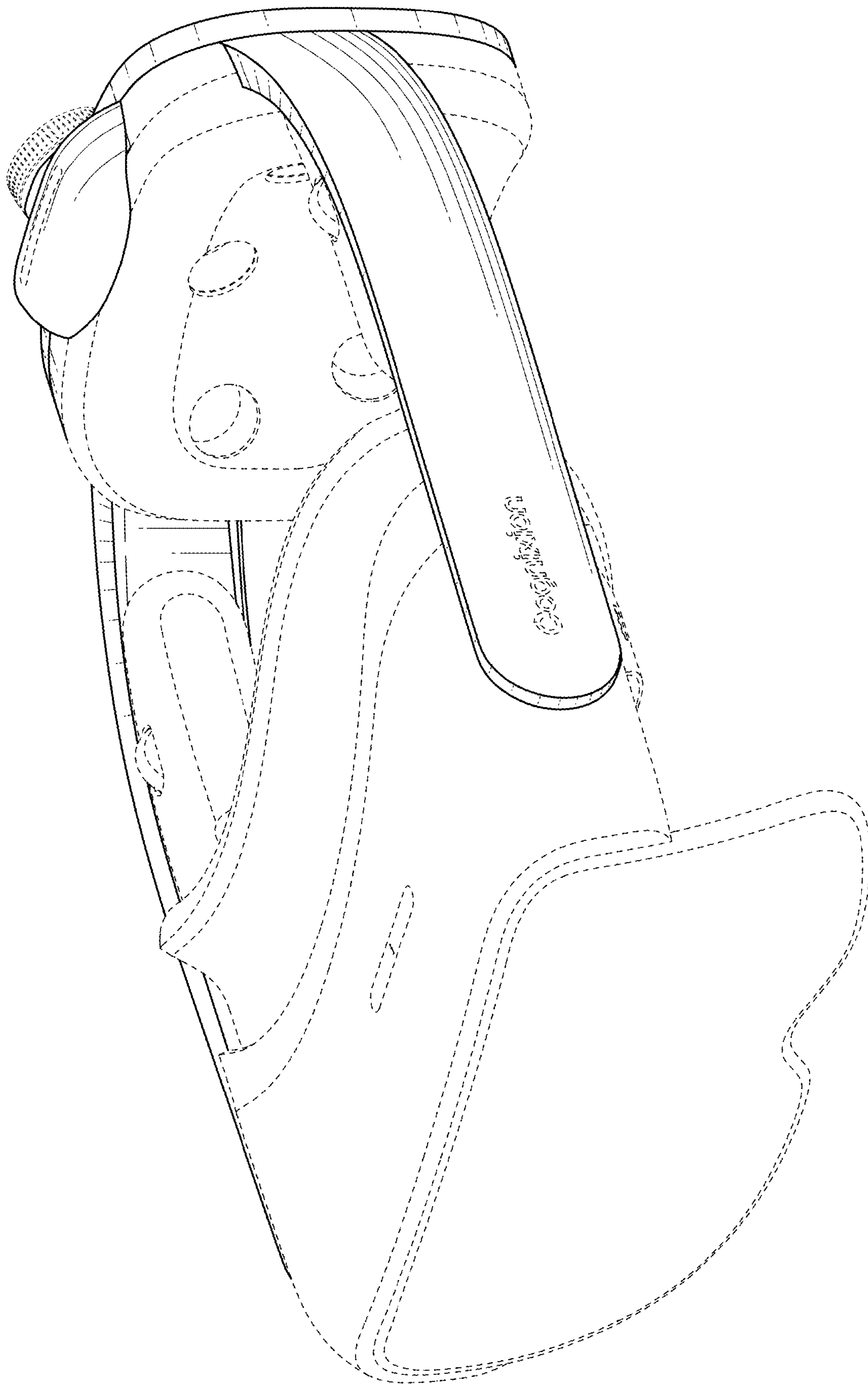


FIG. 1

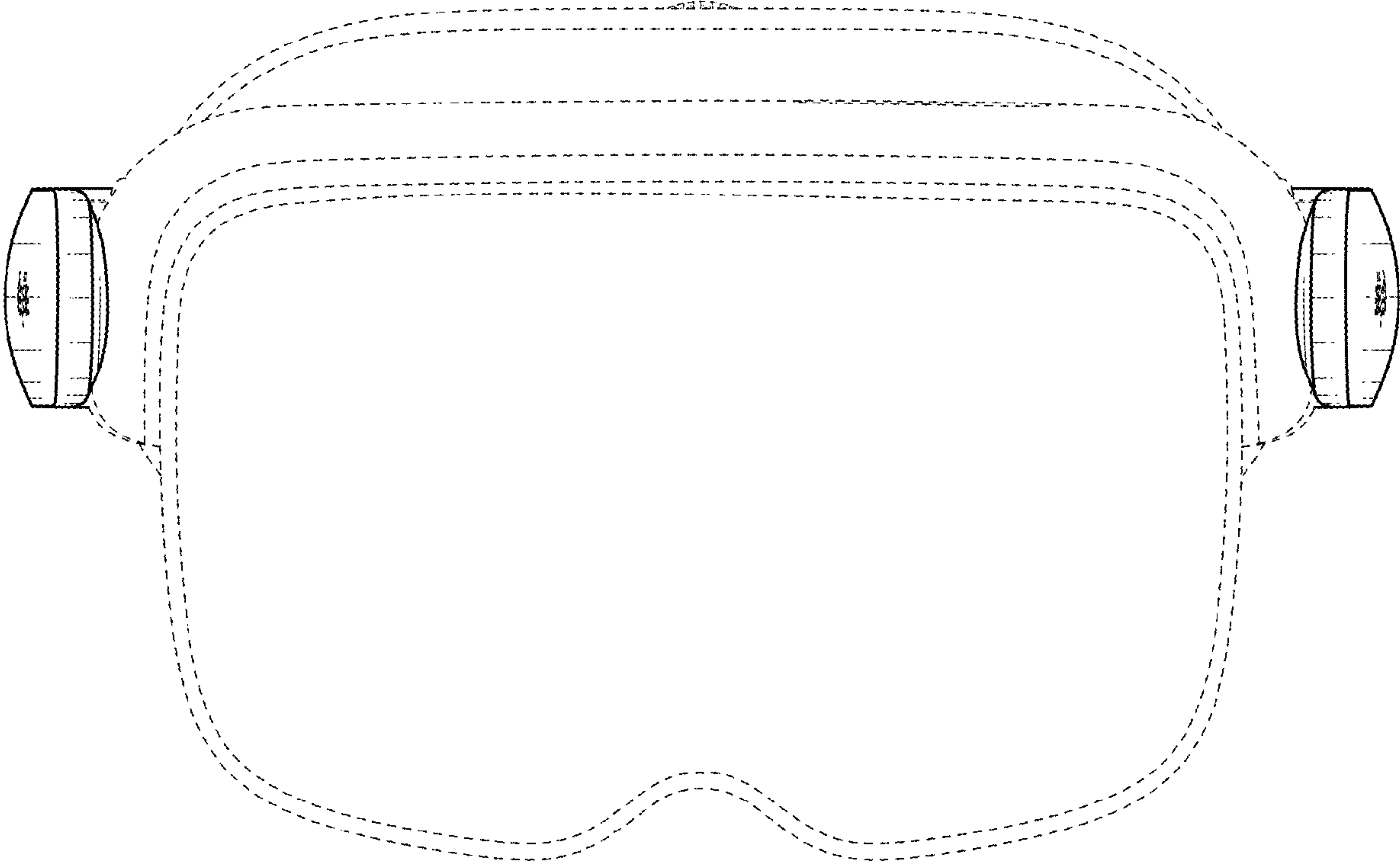


FIG. 2

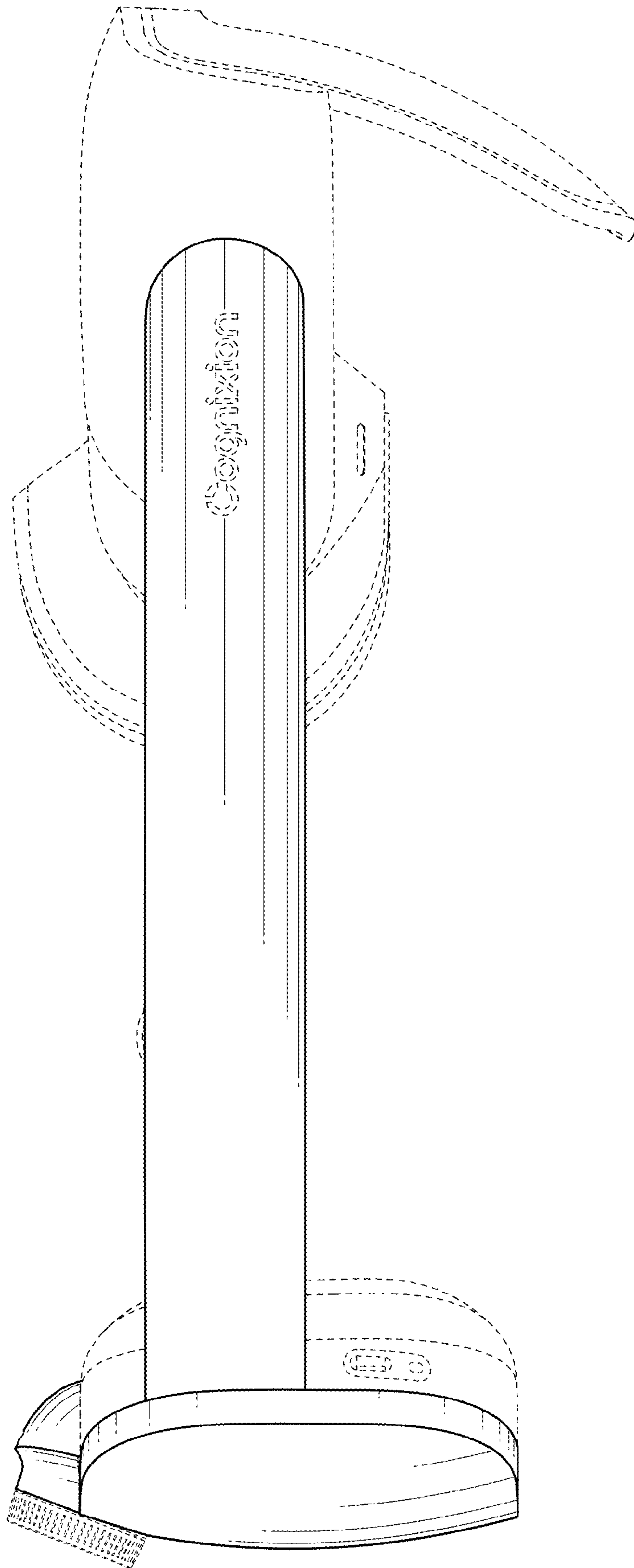


FIG. 3

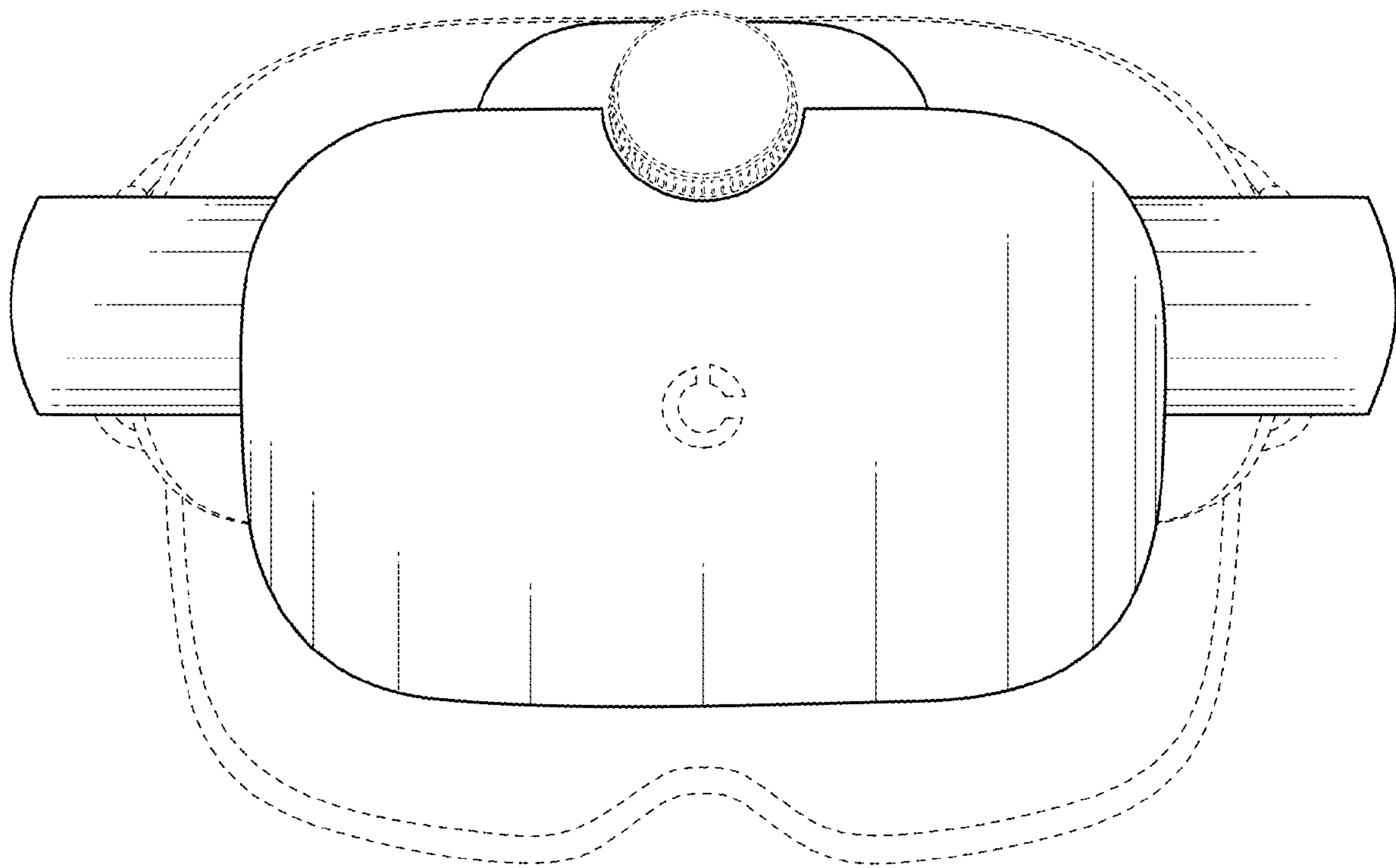


FIG. 4



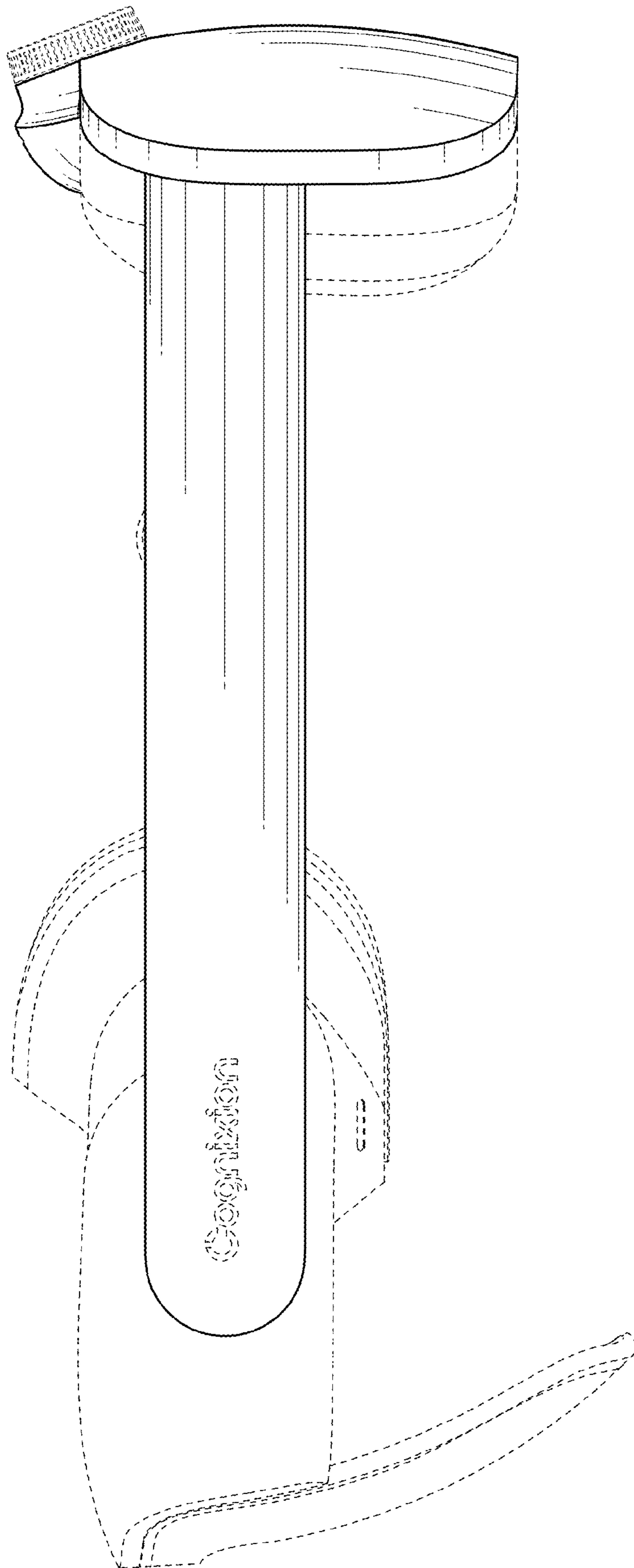


FIG. 5

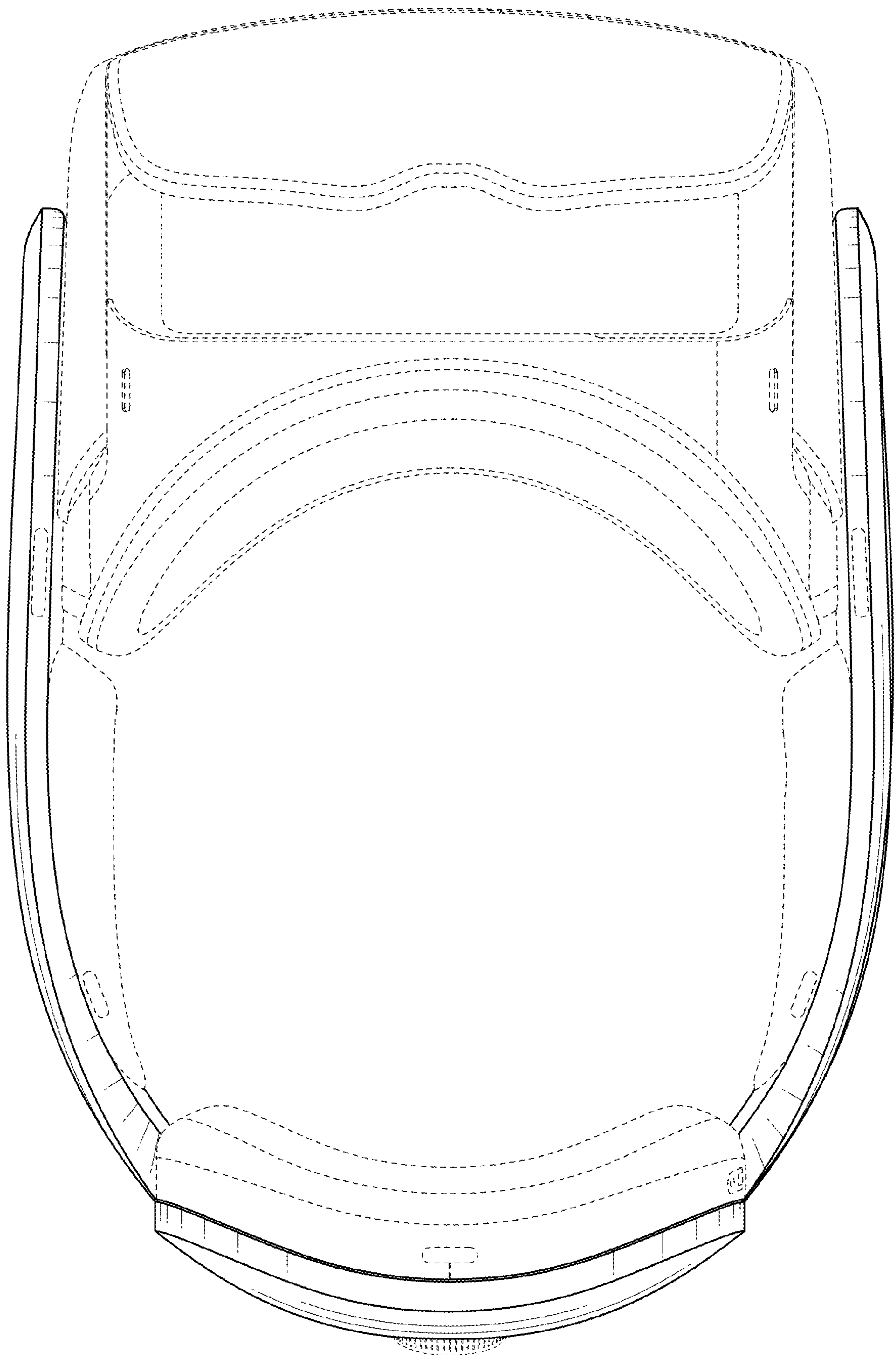


FIG. 6

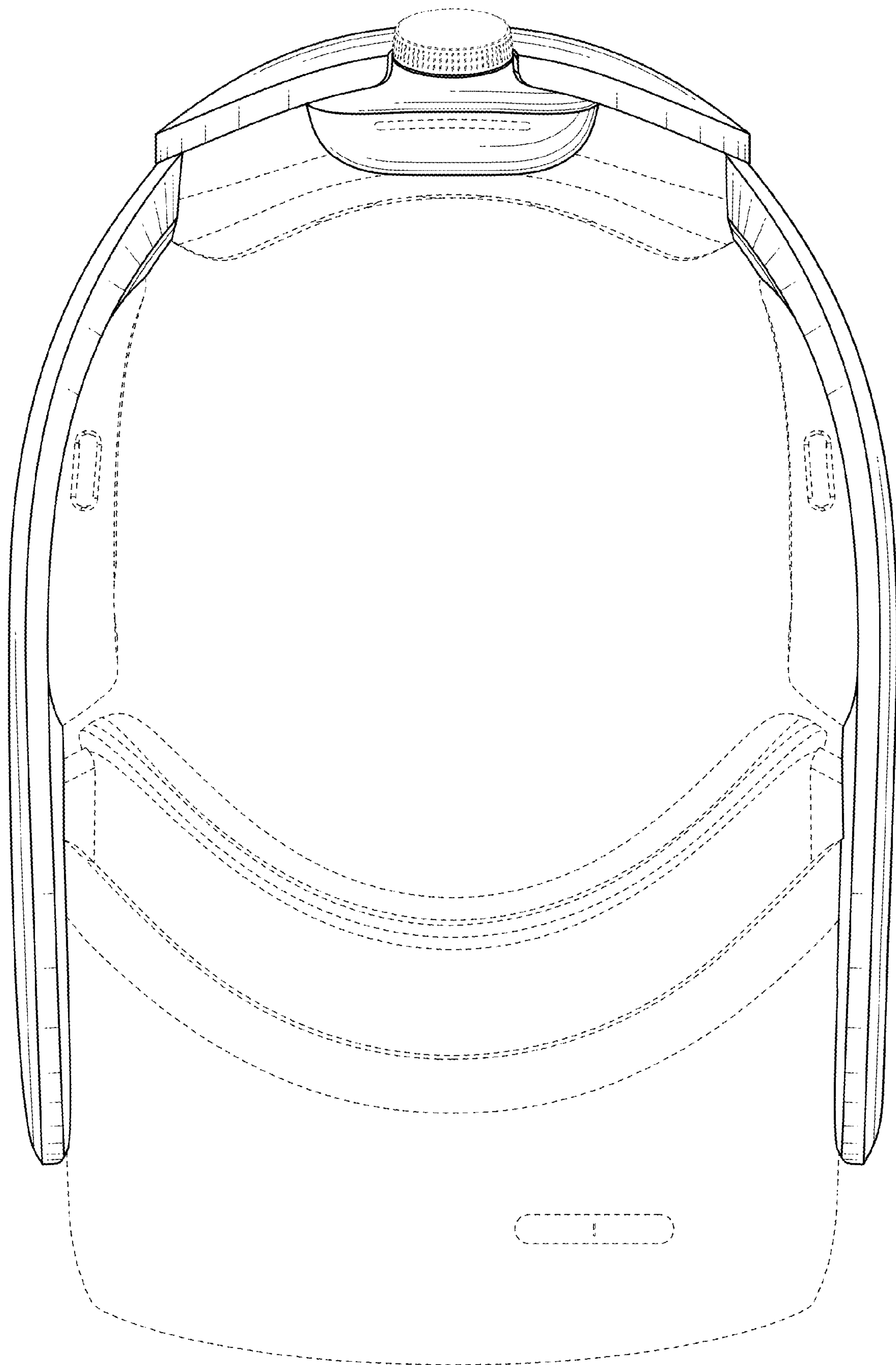


FIG. 7



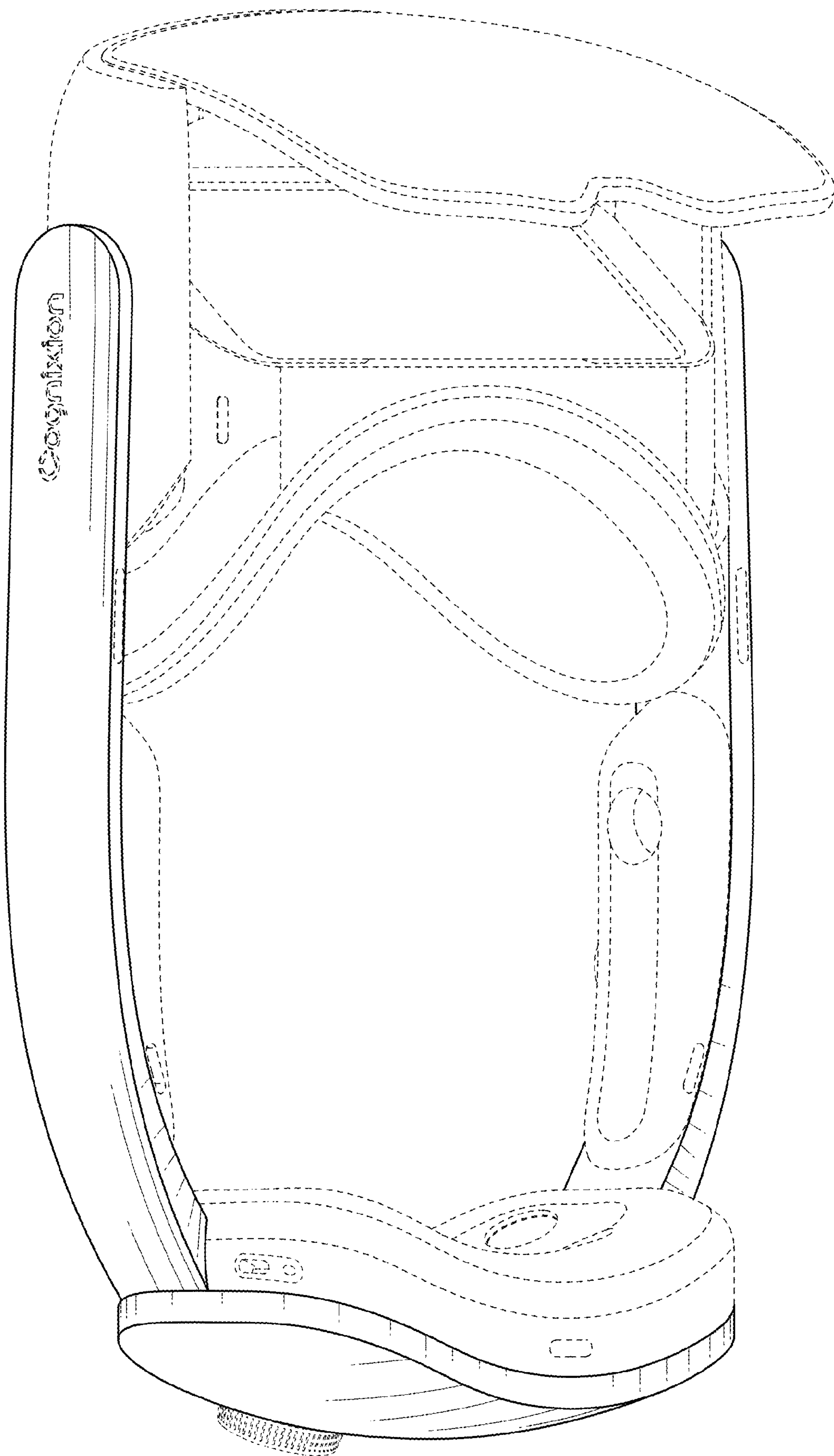


FIG. 8

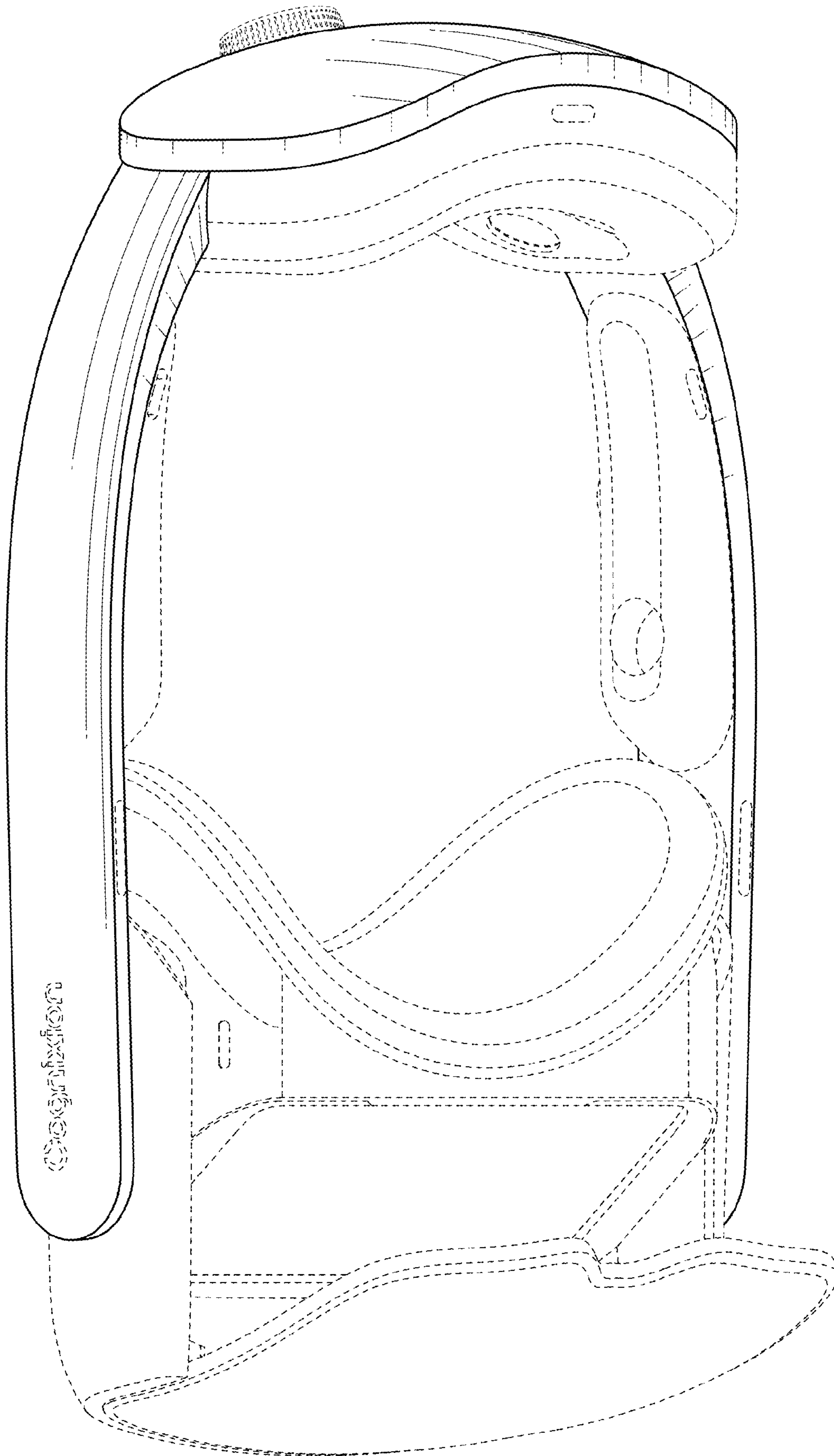


FIG. 9

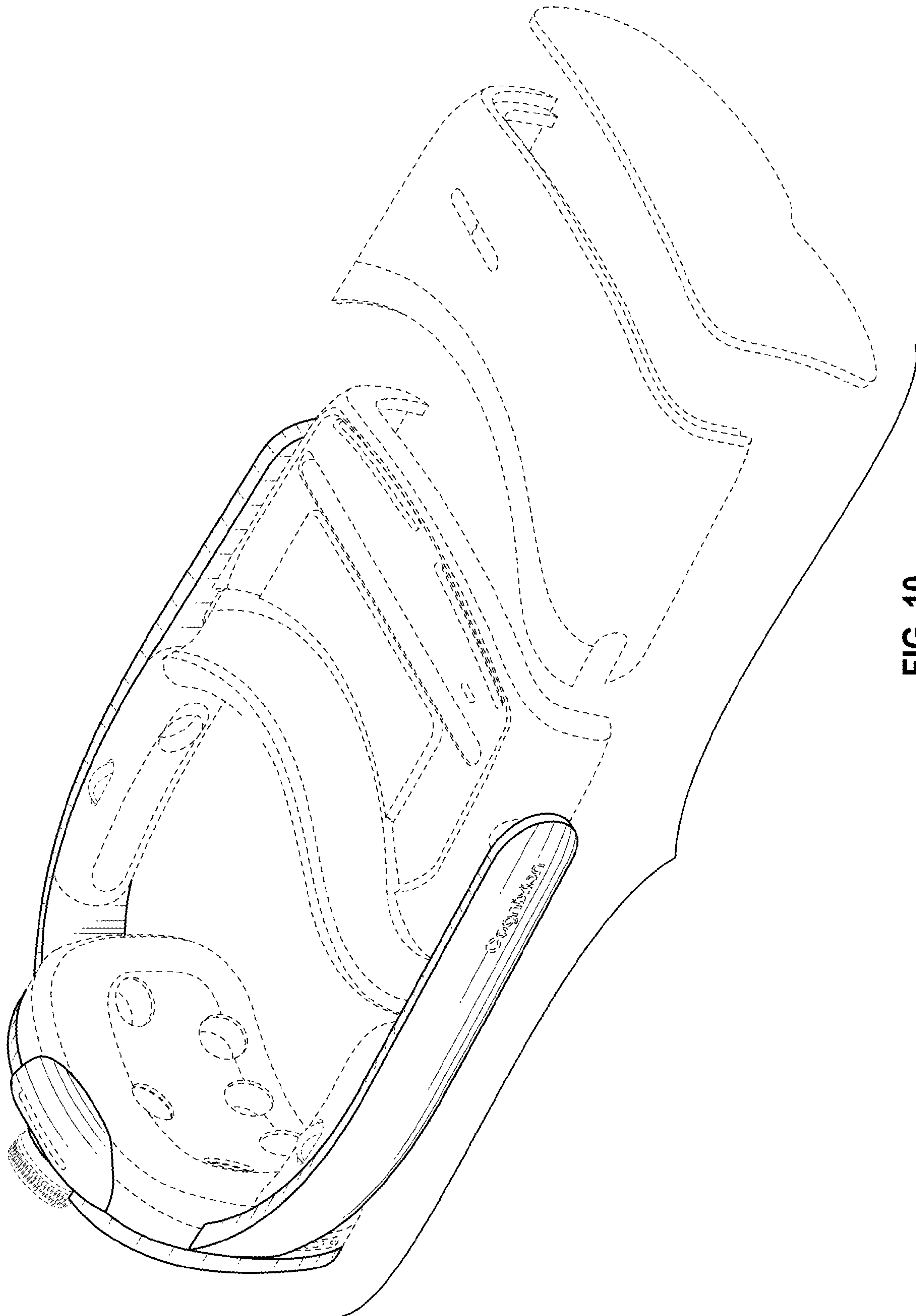


FIG. 10

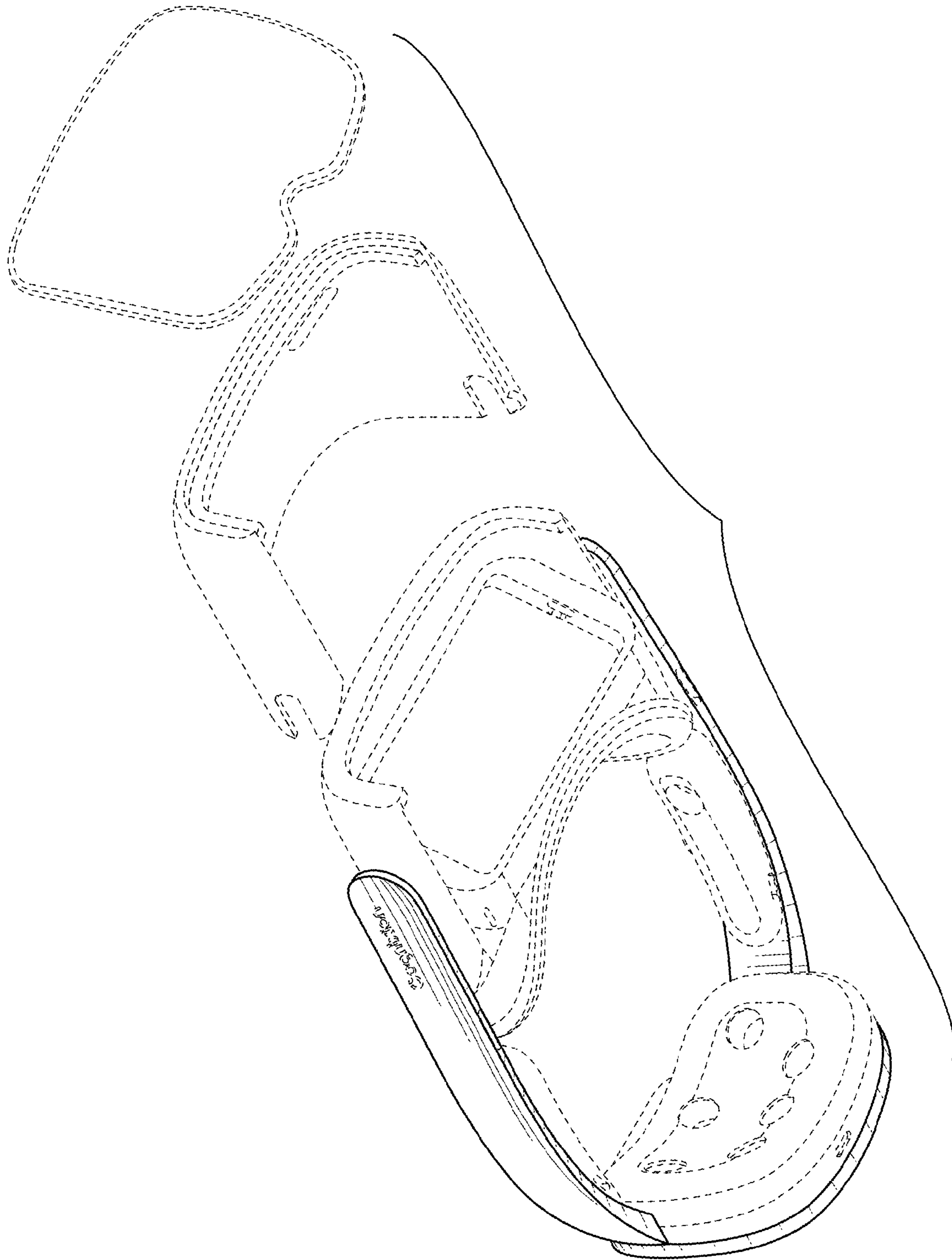


FIG. 11