



US00D953325S

(12) **United States Design Patent** (10) **Patent No.:** **US D953,325 S**
Lee (45) **Date of Patent:** **** May 31, 2022**

(54) **SMART WATCH**
(71) Applicant: **InHandPlus Inc.**, Pohang-si (KR)
(72) Inventor: **Hwiwon Lee**, Seoul (KR)
(**) Term: **15 Years**
(21) Appl. No.: **35/511,188**
(22) Filed: **Jul. 22, 2020**
(80) **Hague Agreement Data**
Int. Filing Date: **Jul. 22, 2020**
Int. Reg. No.: **DM/210075**
Int. Reg. Date: **Jul. 22, 2020**
Int. Reg. Pub. Date: **Jan. 22, 2021**

(30) **Foreign Application Priority Data**
Jan. 23, 2020 (KR) 30-2020-0003368
(51) **LOC (13) Cl.** **14-02**
(52) **U.S. Cl.**
USPC **D14/344; D16/208**
(58) **Field of Classification Search**
USPC D24/186, 187; D10/30, 32, 46, 70, 75,
D10/97, 98; D14/208, 239, 251, 253,
D14/344, 432, 439-441, 427, 456;
D16/208
CPC A61B 5/02; A61B 5/0006; G03B 17/02;
G03B 19/02; G03B 19/16; H04N 5/2251
See application file for complete search history.

(56) **References Cited**
U.S. PATENT DOCUMENTS
D414,151 S * 9/1999 Paquette, Jr. D12/188
D451,116 S * 11/2001 Kono G03B 15/03
D16/208
D471,927 S * 3/2003 Kim D16/208
D512,926 S * 12/2005 Kondoh D10/70
D590,384 S * 4/2009 McPhail D16/208

D595,284 S * 6/2009 Rouger D16/208
D595,285 S * 6/2009 Rouger D16/208
D634,731 S * 3/2011 Morisawa D14/205
D711,372 S * 8/2014 Aumiller D14/344
D711,872 S * 8/2014 Aumiller D14/344
D711,873 S * 8/2014 Aumiller D14/344
D713,846 S * 9/2014 Chen D14/440
D716,360 S * 10/2014 Schechter D16/208
D729,796 S * 5/2015 Song D14/344
D735,190 S * 7/2015 Song D14/344
D740,827 S * 10/2015 Sun D14/427
D753,653 S * 4/2016 Aumiller D14/344
D759,826 S * 6/2016 Martinez D24/187
D768,013 S * 10/2016 Stecker D10/70
D780,737 S * 3/2017 Yoshida D16/208

(Continued)

Primary Examiner — Keli L Hill
(74) Attorney, Agent, or Firm — Revolution IP, PLLC

(57) **CLAIM**

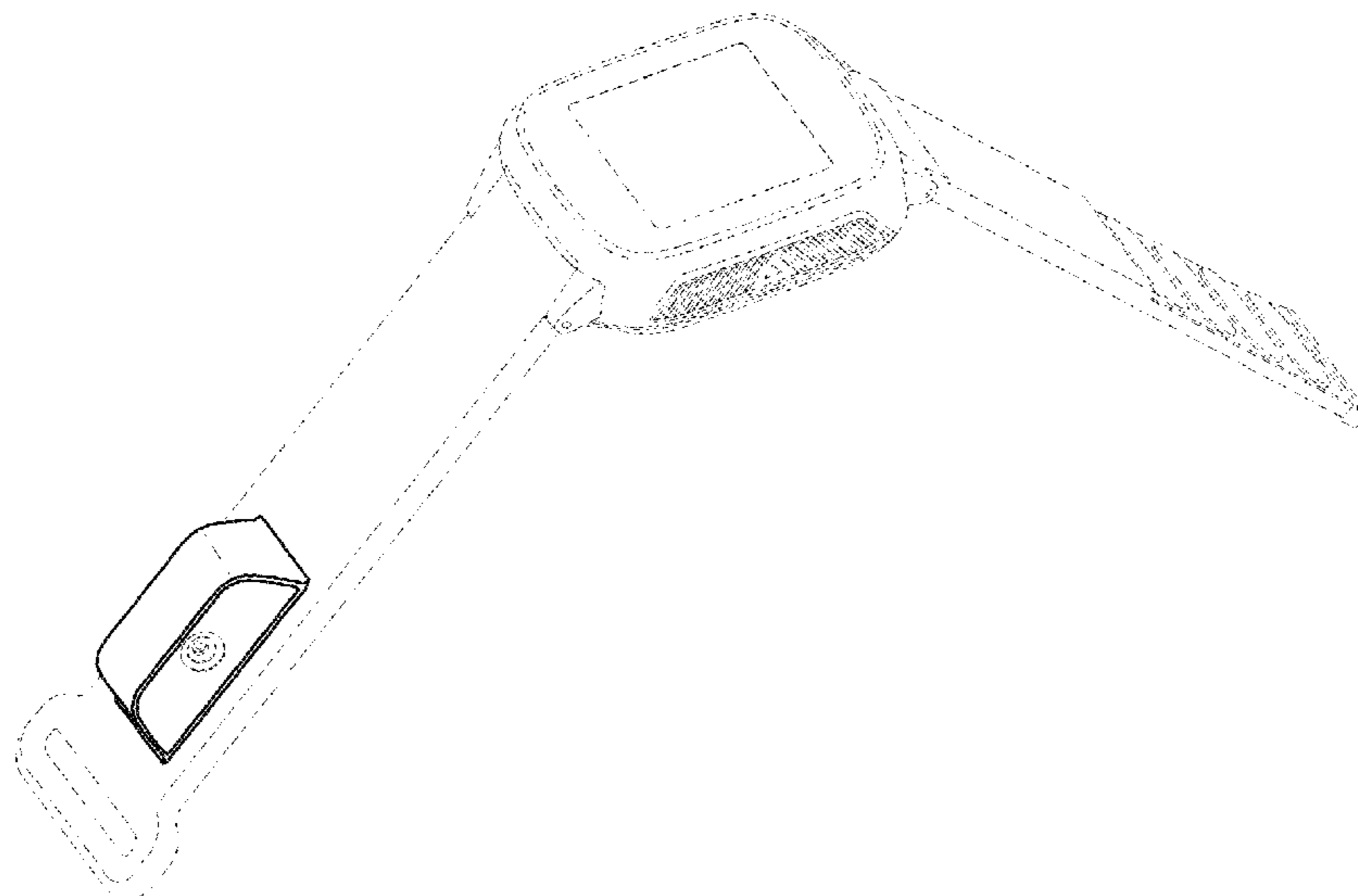
The ornamental design for a smart watch, as shown and described.

DESCRIPTION

- 1. Smart watch
- 1.1 : Perspective
- 1.2 : Front
- 1.3 : Back
- 1.4 : Left
- 1.5 : Right
- 1.6 : Top
- 1.7 : Bottom

Fig. 1.1 is a perspective view of the smart watch; fig. 1.2 is a front view of the smart watch; fig. 1.3 is a back view of the smart watch; fig. 1.4 is a left side view of the smart watch; fig. 1.5 is a right side view of the smart watch; fig. 1.6 is a top view of the smart watch; fig. 1.7 is a bottom view of the smart watch; the part indicated by solid lines is the part for which the design registration is sought as a partial design; the broken lines depict portions of the smart watch that form no part of the claimed design.

1 Claim, 7 Drawing Sheets



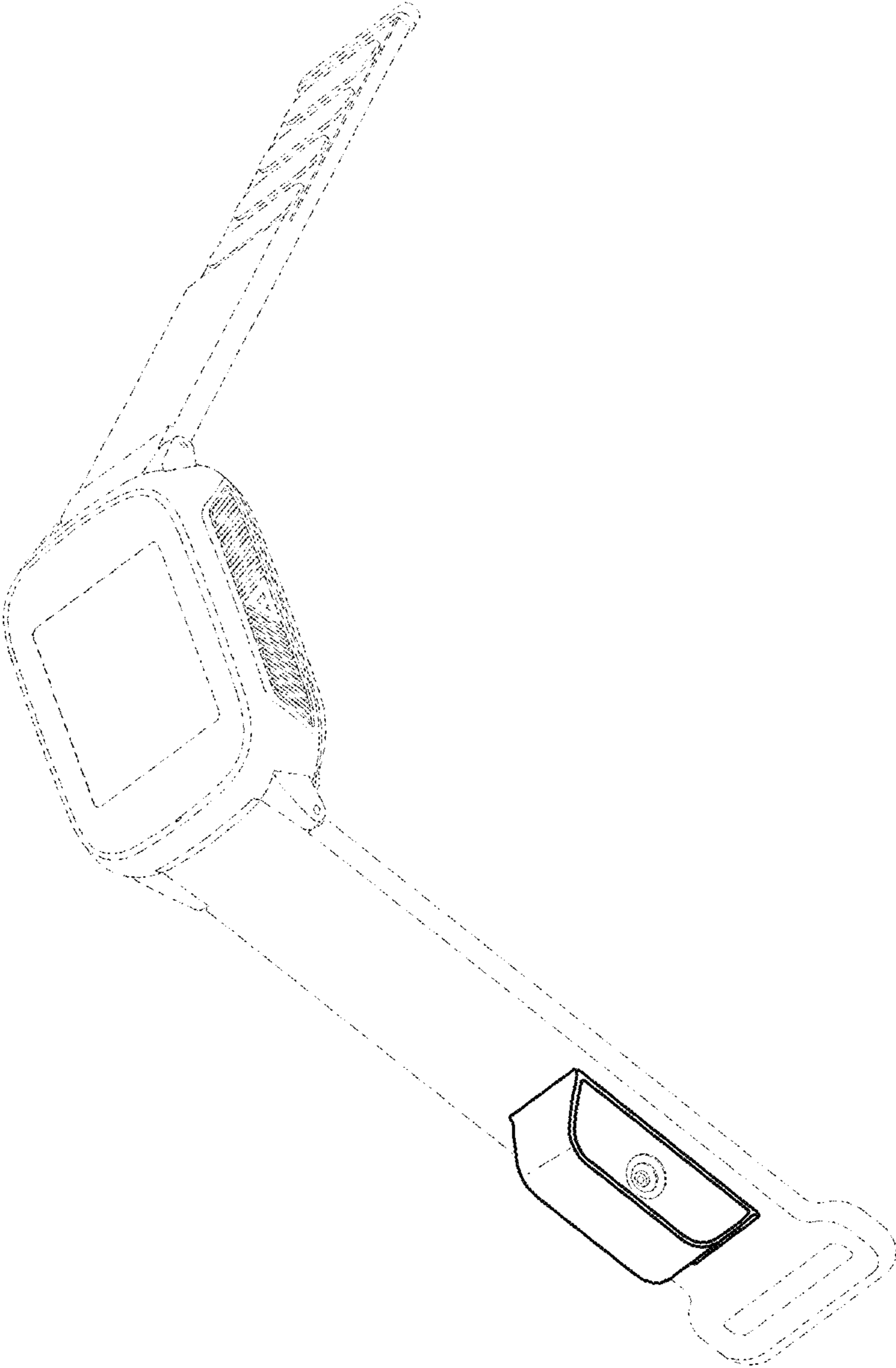
(56)

References Cited

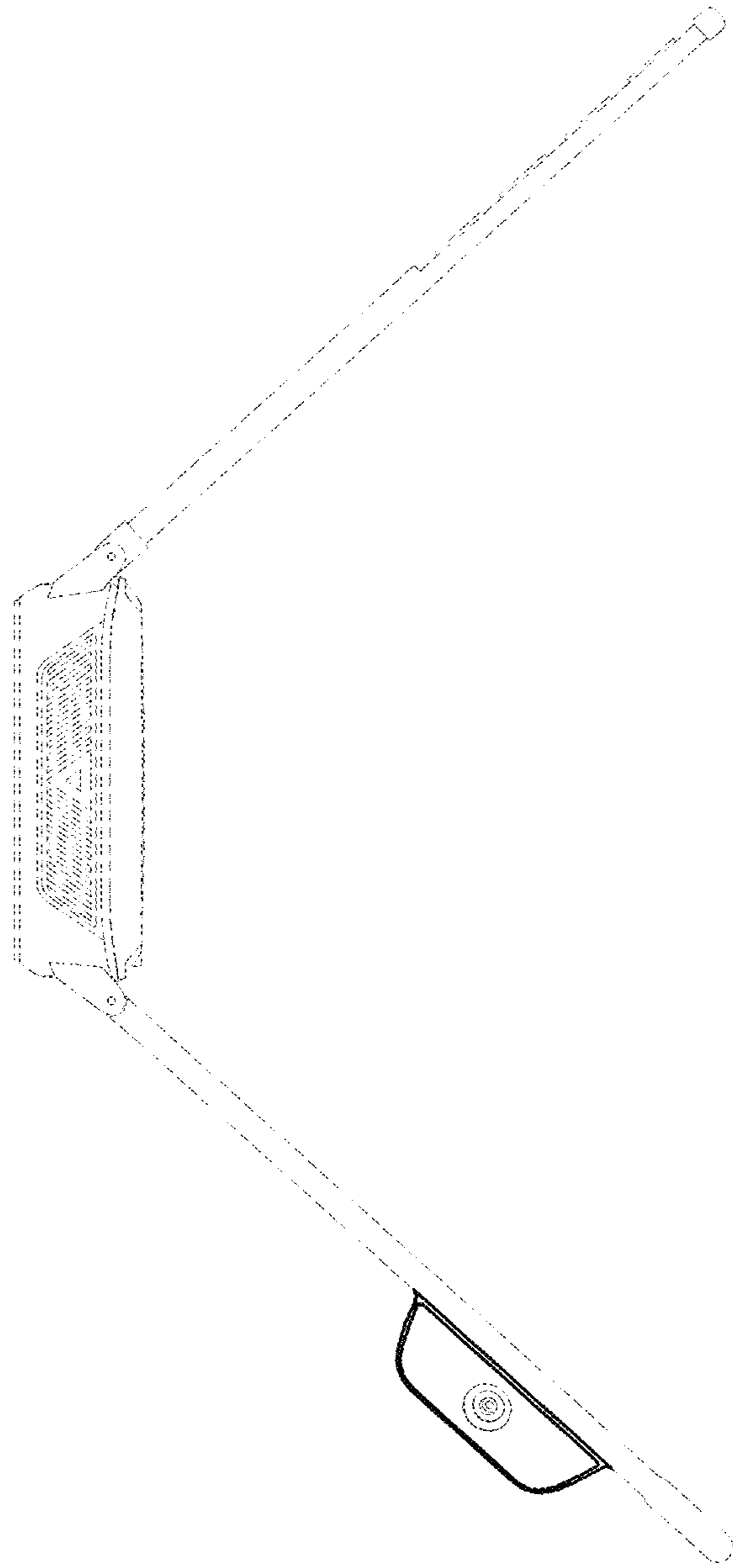
U.S. PATENT DOCUMENTS

D792,497 S *	7/2017	Oliveira	D16/208
D822,836 S *	7/2018	Wu	D10/38
D858,517 S *	9/2019	Kern	D14/344
D859,412 S *	9/2019	AlNasser	D14/427
D874,698 S *	2/2020	Boyd	D10/32
D894,995 S *	9/2020	Fujimoto	D16/219
D933,235 S *	10/2021	Hwang	D14/344
2011/0168532 A1 *	7/2011	Tsai	H01H 13/83
			200/314
2018/0027183 A1 *	1/2018	Palmer	G03B 15/03
			348/371

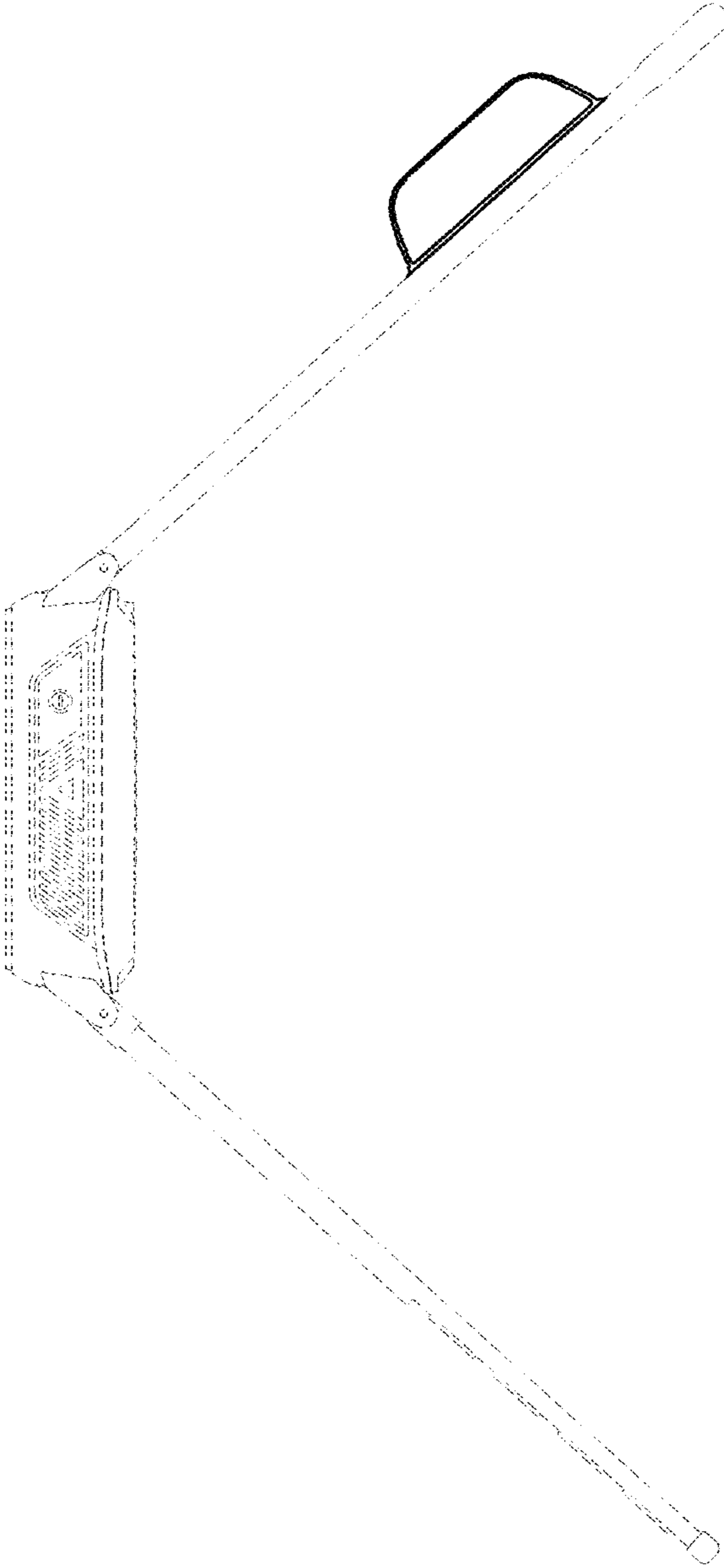
* cited by examiner



1.1

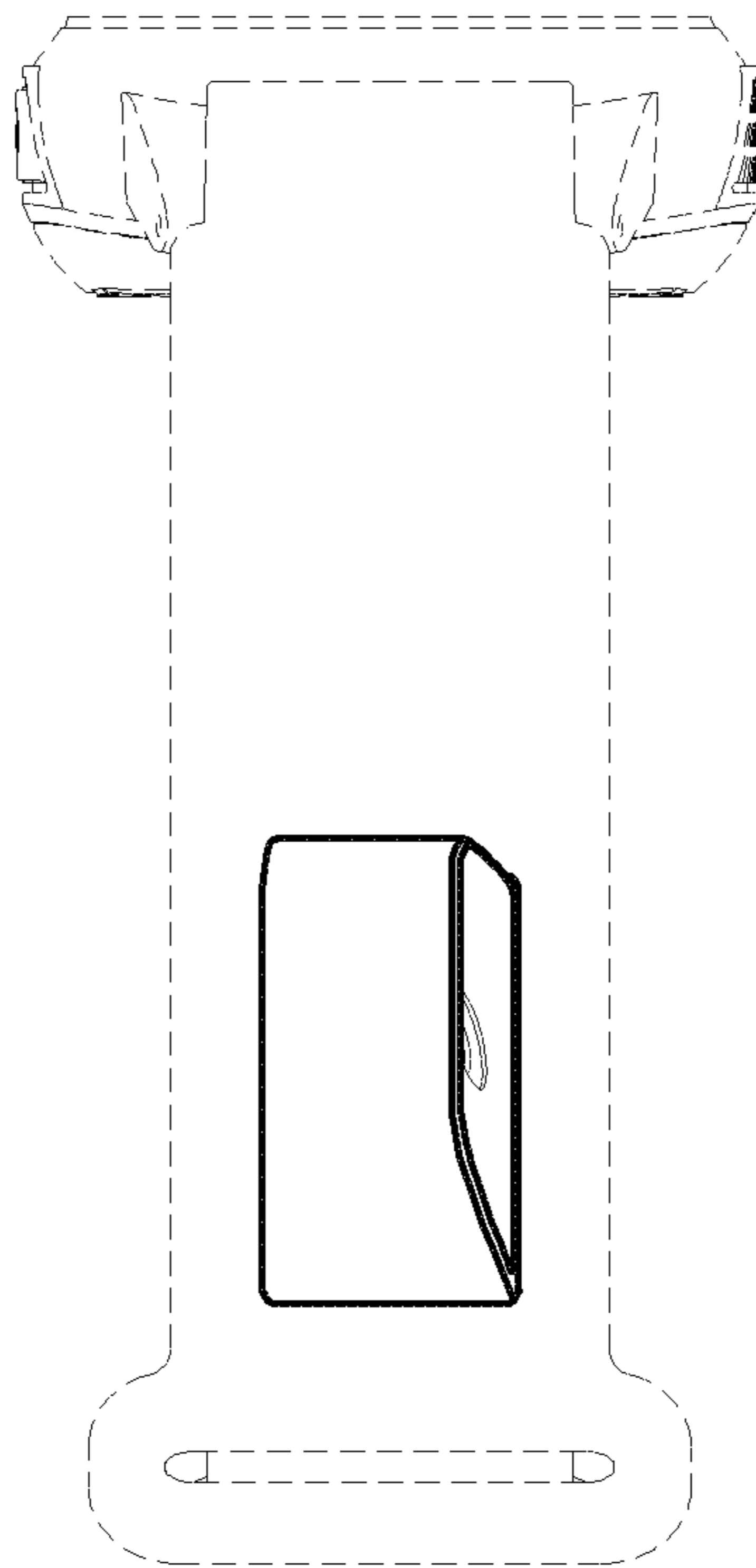


1.2

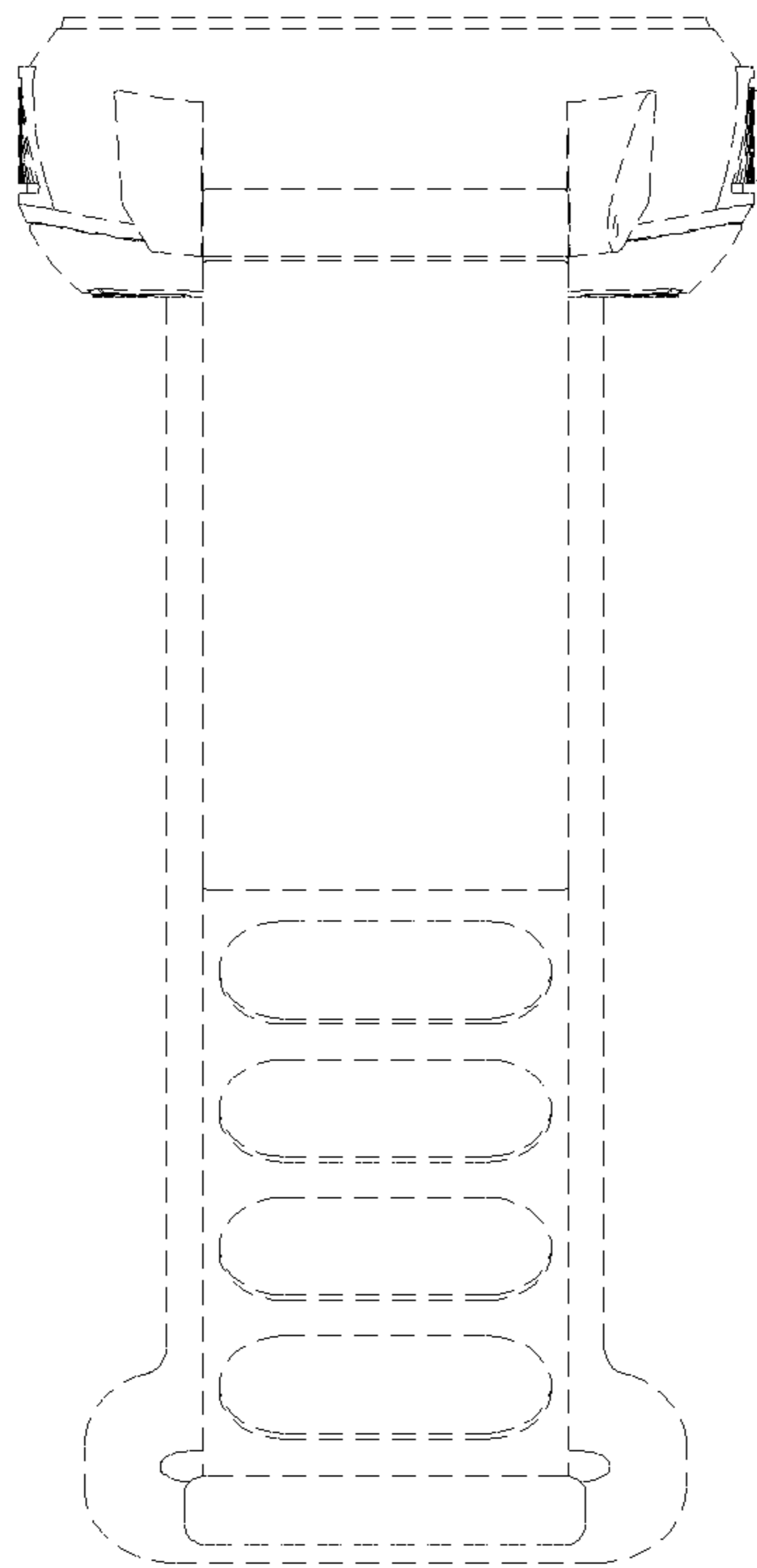


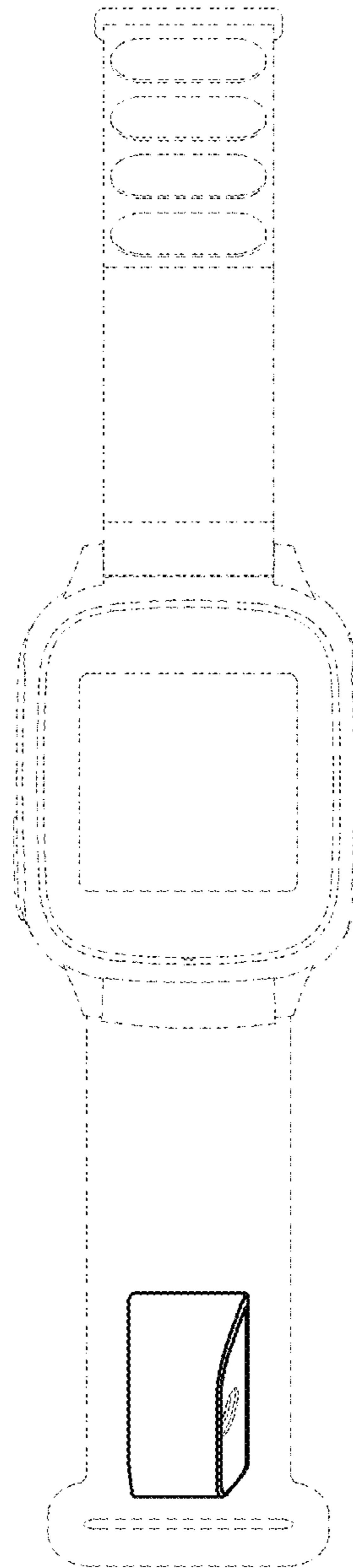
1.3

1.4

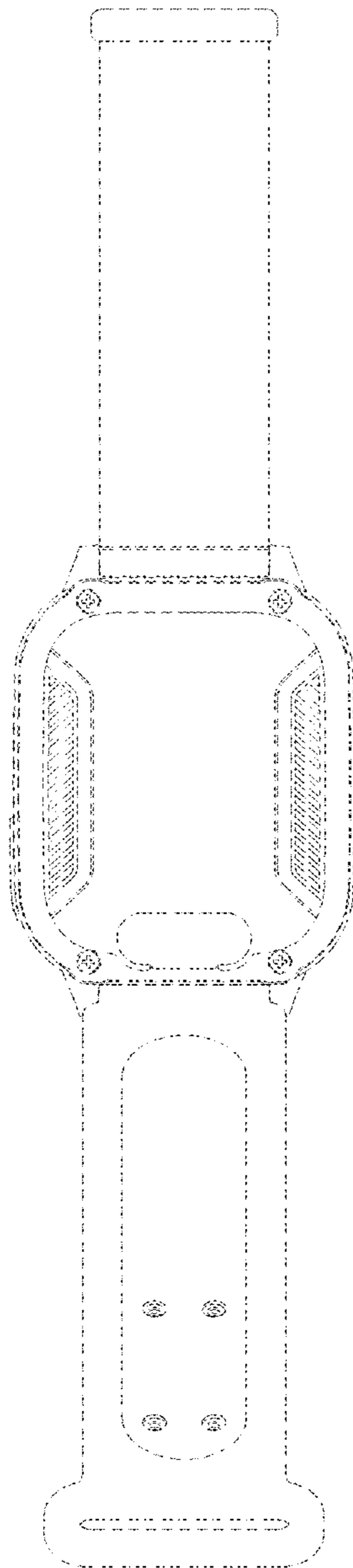


1.5





1.6



1.7