



US00D953322S

(12) **United States Design Patent**
Moore et al.

(10) **Patent No.:** **US D953,322 S**
(45) **Date of Patent:** **** May 31, 2022**

(54) **ELECTRONIC DEVICE**

(71) Applicant: **Amazon Technologies, Inc.**, Seattle, WA (US)

(72) Inventors: **Jesse Wheeler Moore**, Oakland, CA (US); **Giles David Matthew McWilliam**, San Francisco, CA (US)

(73) Assignee: **Amazon Technologies, Inc.**, Seattle, WA (US)

(**) Term: **15 Years**

(21) Appl. No.: **29/714,615**

(22) Filed: **Nov. 25, 2019**

(51) **LOC (13) Cl.** **14-02**

(52) **U.S. Cl.**
USPC **D14/336**

(58) **Field of Classification Search**
USPC D14/336, 337, 373, 374, 375, 376, 377,
D14/125, 128, 129, 126, 127, 371, 372,
D14/341, 496, 216

(Continued)

(56) **References Cited**

U.S. PATENT DOCUMENTS

D607,457 S * 1/2010 Hui D14/434
D705,234 S * 5/2014 Guran D14/447

(Continued)

FOREIGN PATENT DOCUMENTS

WO D090784-002 * 8/2016
WO D202751-001 * 10/2019

(Continued)

OTHER PUBLICATIONS

The Verge. Link: <https://www.theverge.com/22297810/amazon-echo-show-10-2021-review>. Feb. 24, 2021. Amazon Echo Show 10 review: Alexa's next move. (Year: 2021).*

(Continued)

Primary Examiner — Lauren D McVey

(74) *Attorney, Agent, or Firm* — Lee & Hayes, P.C.

(57) **CLAIM**

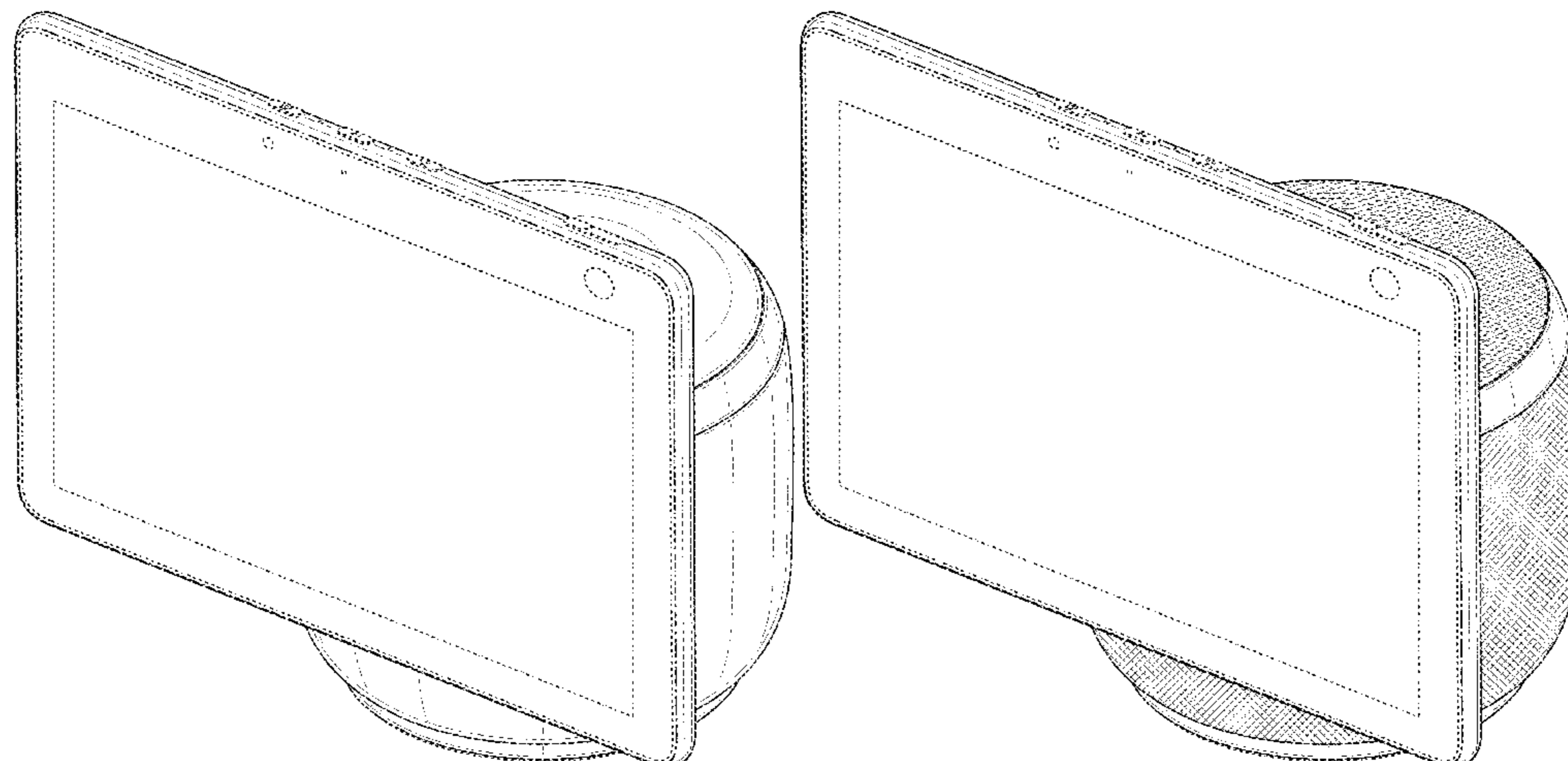
The ornamental design for an electronic device, as shown and described.

DESCRIPTION

FIG. 1 is a top, front, right-side perspective view of a first embodiment of an electronic device; FIG. 2 is a bottom, front, left-side perspective view thereof; FIG. 3 is a top, back, right-side perspective view thereof; FIG. 4 is a front view thereof; FIG. 5 is a back view thereof; FIG. 6 is a left-side view thereof; FIG. 7 is a right-side view thereof; FIG. 8 is a top view thereof; FIG. 9 is a bottom view thereof; FIG. 10 is a top, front, right-side perspective view of a second embodiment of an electronic device, showing a crosshatched pattern of the embodiment which represents a fabric (e.g., a woven fabric), and is understood to be distributed uniformly over the surface of the claimed design upon which the pattern occurs; FIG. 11 is a bottom, front, left-side perspective view thereof; FIG. 12 is a top, back, right-side perspective view thereof. The long dashed broken lines depict a seam on the back surface of the embodiment of the electronic design that forms no part of the claimed design; FIG. 13 is a front view thereof; FIG. 14 is a back view thereof; FIG. 15 is a left-side view thereof; FIG. 16 is a right-side view thereof; FIG. 17 is a top view thereof; and, FIG. 18 is a bottom view thereof.

The short dashed broken lines depict portions of the electronic device that form no part of the claimed design. The dot-dashed broken lines represent boundaries of the claimed electronic device and form no part of the claimed design.

1 Claim, 18 Drawing Sheets



(58) **Field of Classification Search**

CPC G06F 1/1601; G06F 1/1605; G06F 1/162
See application file for complete search history.

FOREIGN PATENT DOCUMENTS

WO	D202751-002	* 10/2019
WO	D202751-003	* 10/2019

(56) **References Cited**

U.S. PATENT DOCUMENTS

D741,853	S	*	10/2015	Barron	D14/336
D747,704	S	*	1/2016	Tsou	D14/242
D760,671	S	*	7/2016	Chalabi	D14/125
D760,672	S	*	7/2016	Chalabi	D14/125
D831,072	S	*	10/2018	Becke	D14/496
D860,213	S	*	9/2019	Sheng	D14/447
D860,964	S	*	9/2019	Hou	D14/129
D877,106	S	*	3/2020	Peng	D14/126
D882,676	S	*	4/2020	Sorio	D18/4.4
D883,373	S	*	5/2020	Sorio	D18/4.4
D912,663	S	*	3/2021	Cebe	D14/336
D929,367	S	*	8/2021	Paterson	D14/216
D929,368	S	*	8/2021	Wang	D14/216
D930,613	S	*	9/2021	Han	D14/216
D933,046	S	*	10/2021	Huang	D14/216
D934,244	S	*	10/2021	Cepress	D14/374
D934,296	S	*	10/2021	Anderson	D14/496
D935,456	S	*	11/2021	Seflic	D14/371

OTHER PUBLICATIONS

Amazon. Link:https://www.amazon.com/echo-show-10/dp/B082X1HRV5/ref=asc_df_B07VHZ41L8/?tag=hyprod-20&linkCode=df0&hvadid=475739837439&hvpos=%E2%80%A6. Feb. 25, 2021. Amazon Echo Show 10 3rd generation. (Year: 2021).*

The Japanese Office Action dated Feb. 26, 2021 for Japanese Design Application No. 2020-009108, a counterpart foreign application of the Design U.S. Appl. No. 29/714,615, 2 pages.

The Indian Office Action dated Jun. 8, 2020 for Indian Design Application No. 329233-001, a counterpart foreign application of the Design U.S. Appl. No. 29/714,615, 14 pages.

Canadian Office Action dated Sep. 27, 2021 for Canadian Patent Application No. 195187, a foreign counterpart to U.S. Appl. No. 29/714,615, 2 pages.

* cited by examiner

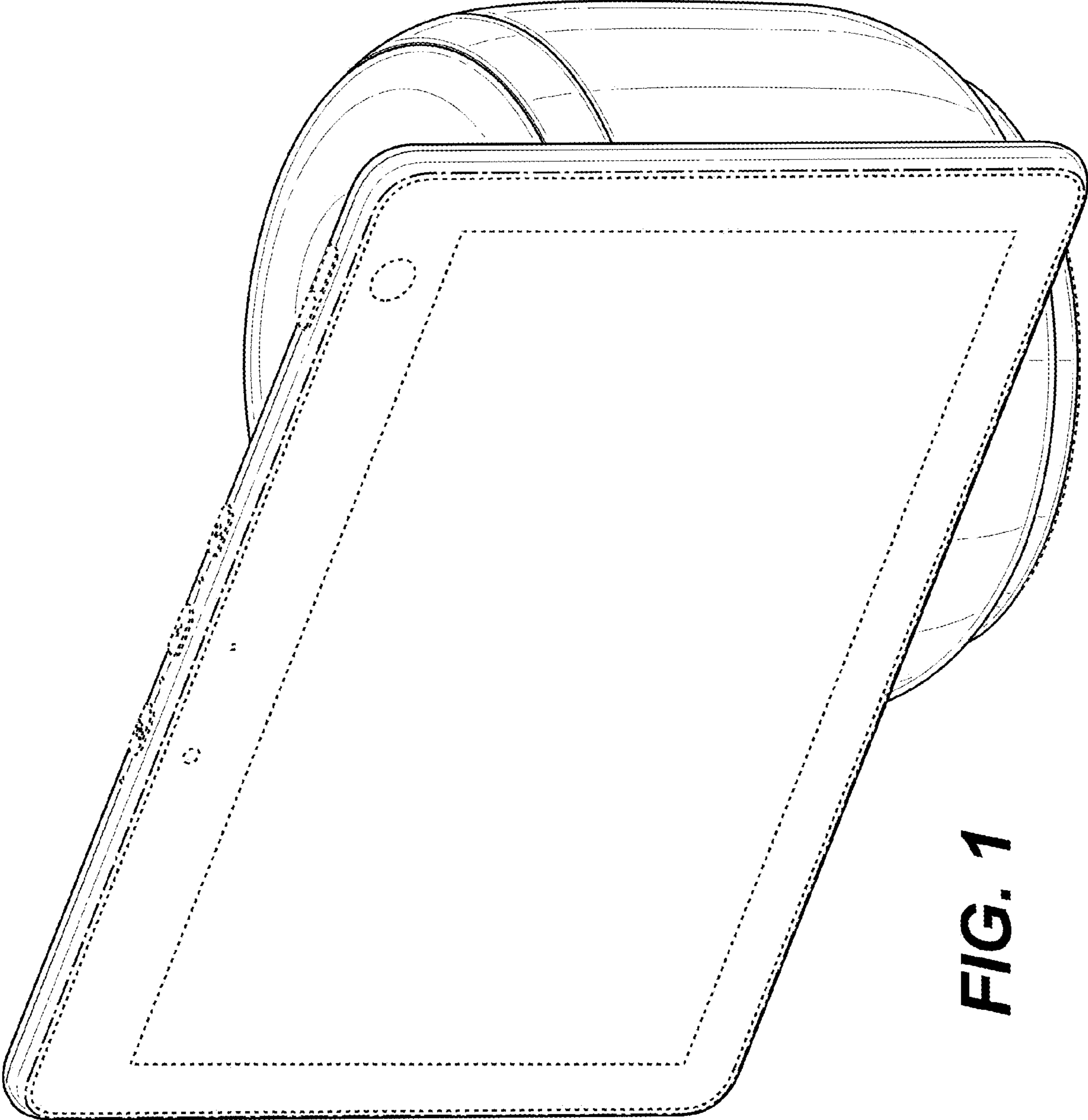


FIG. 1

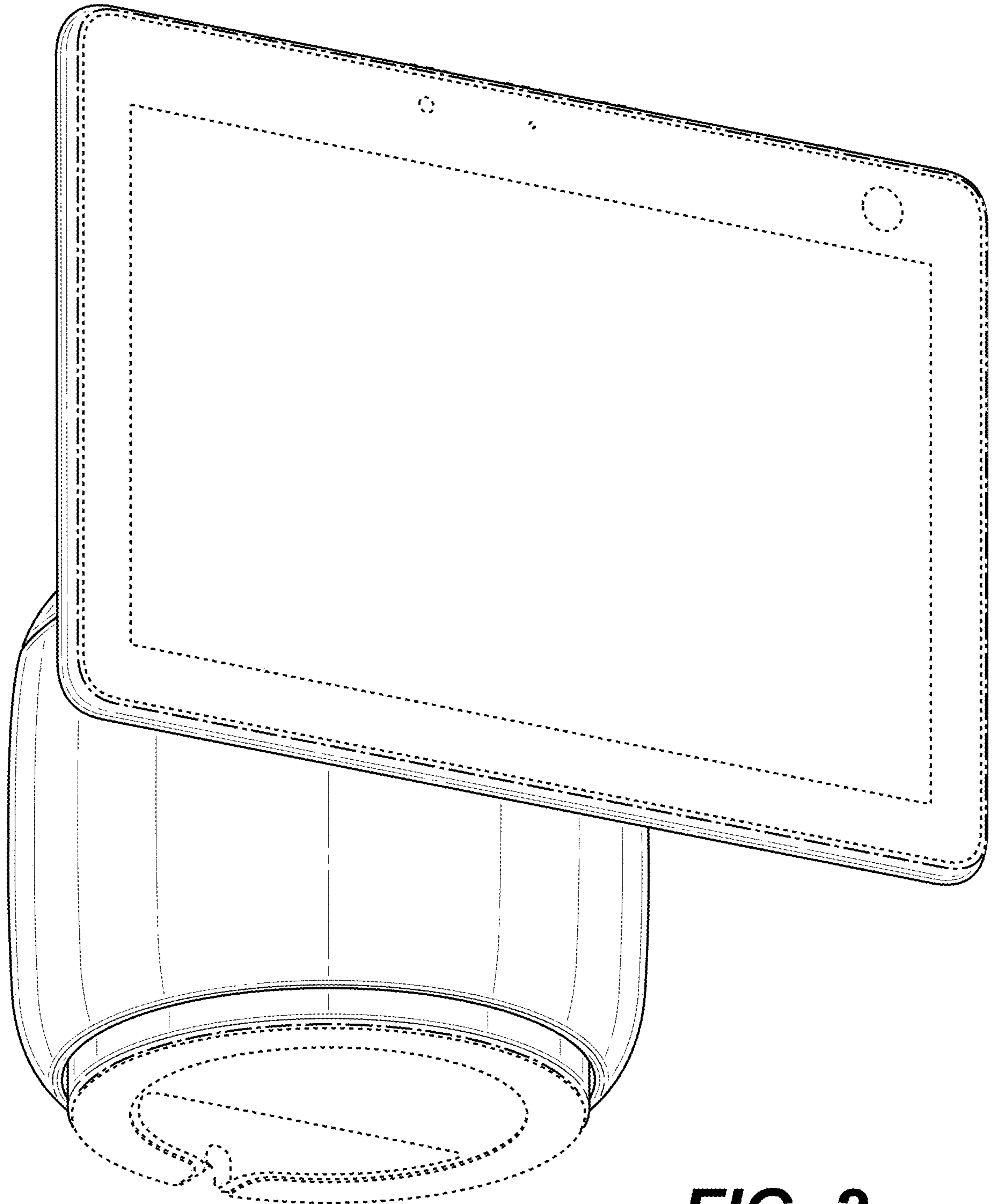


FIG. 2

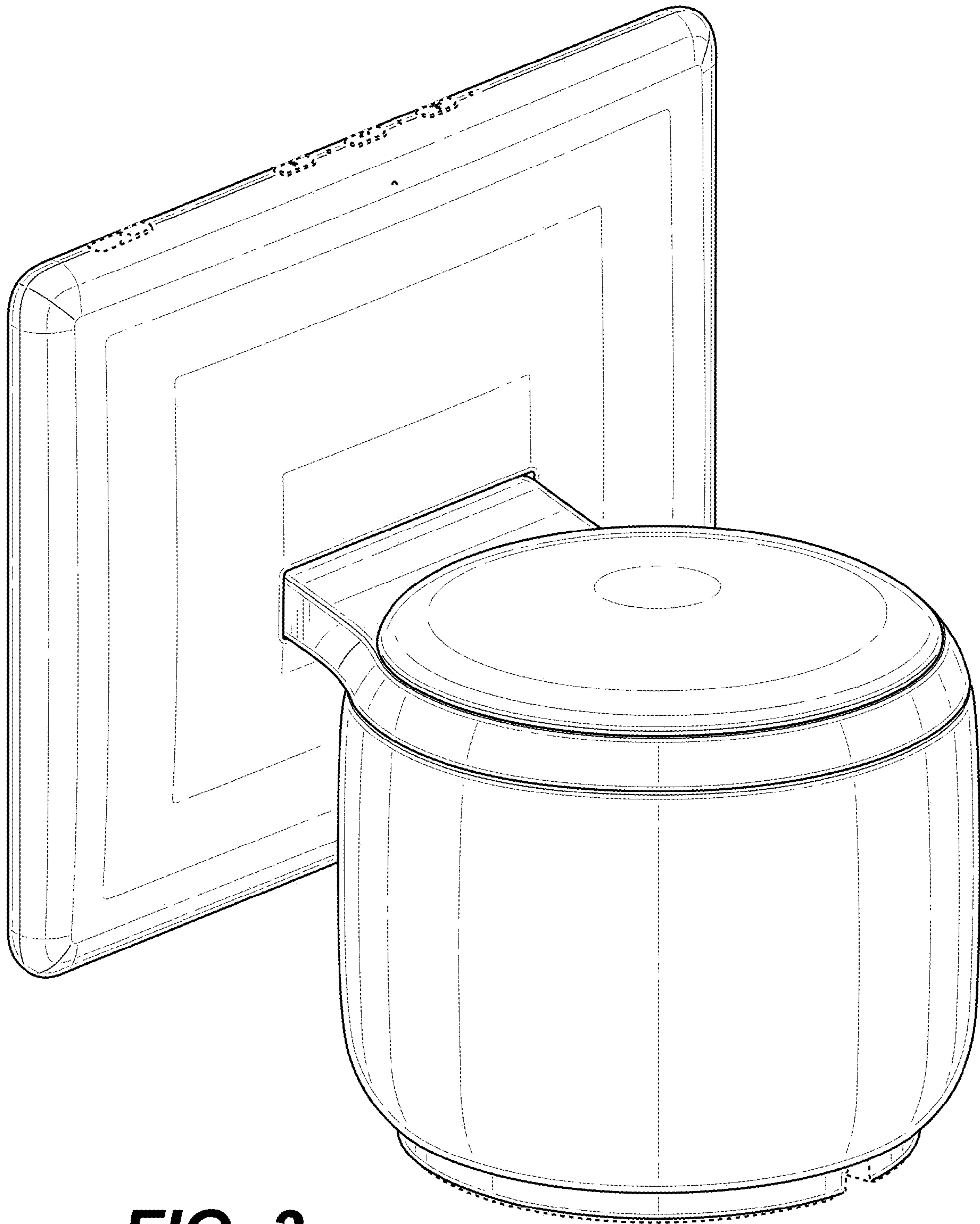


FIG. 3

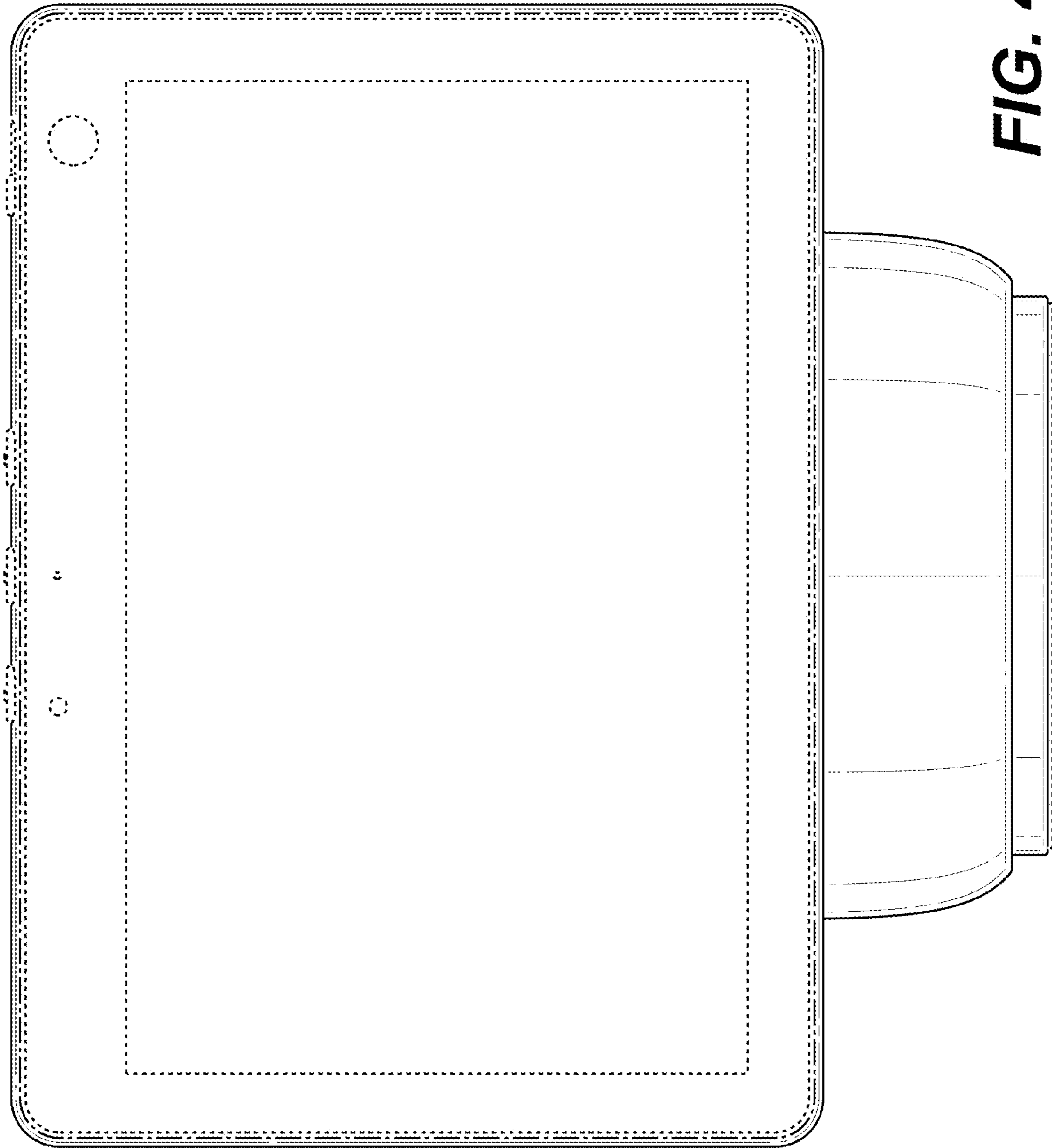


FIG. 4

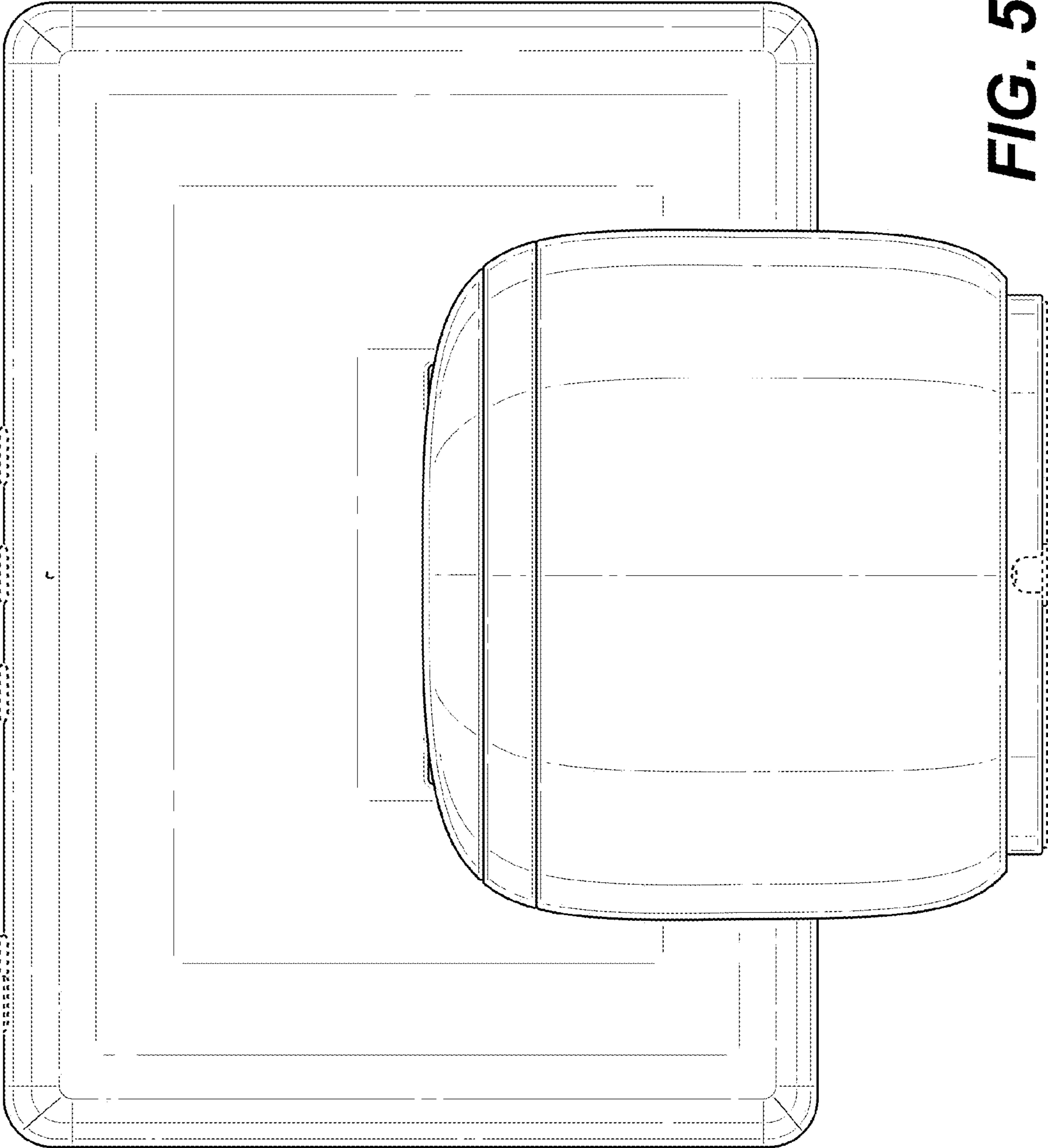


FIG. 5

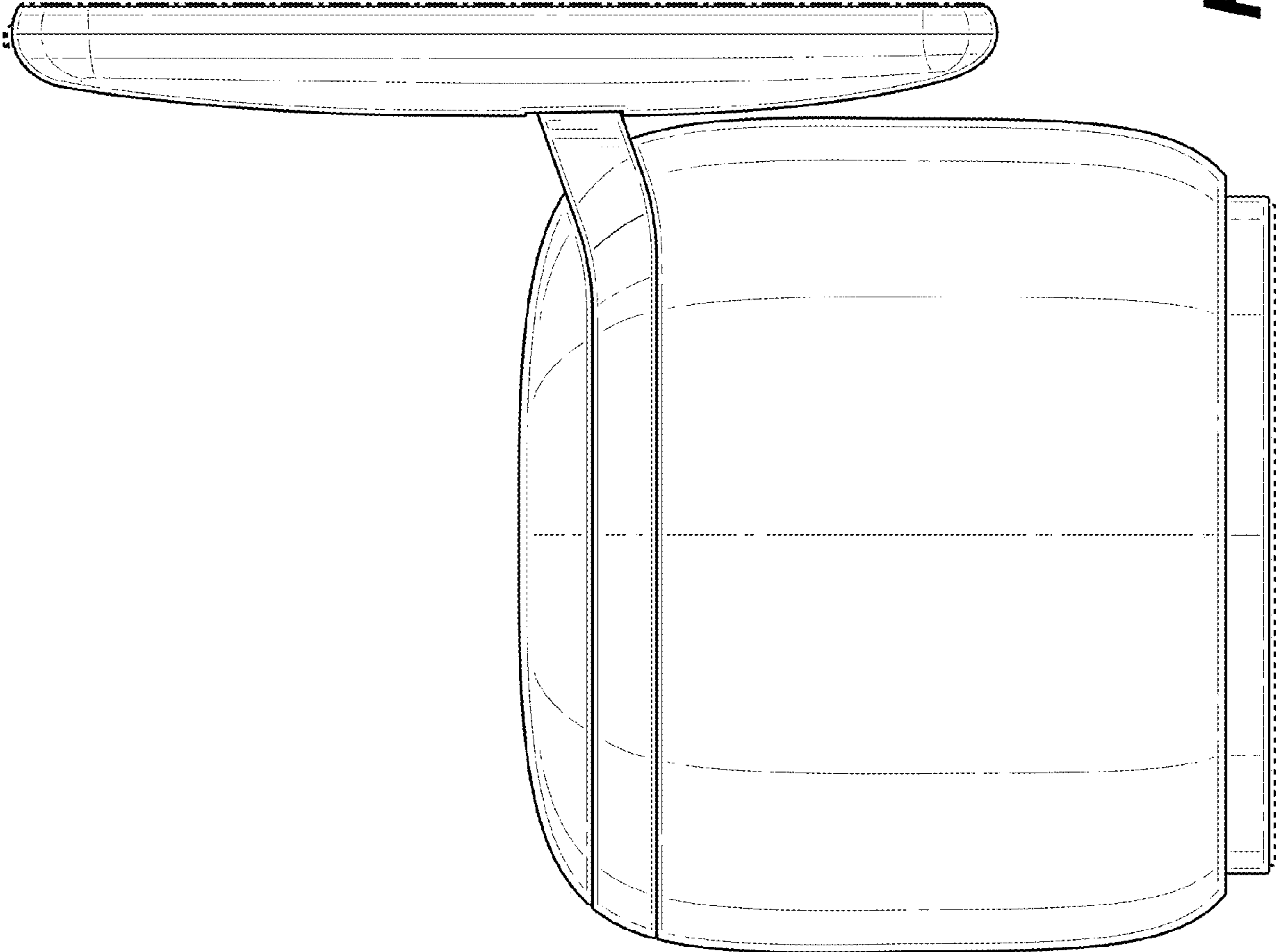


FIG. 6

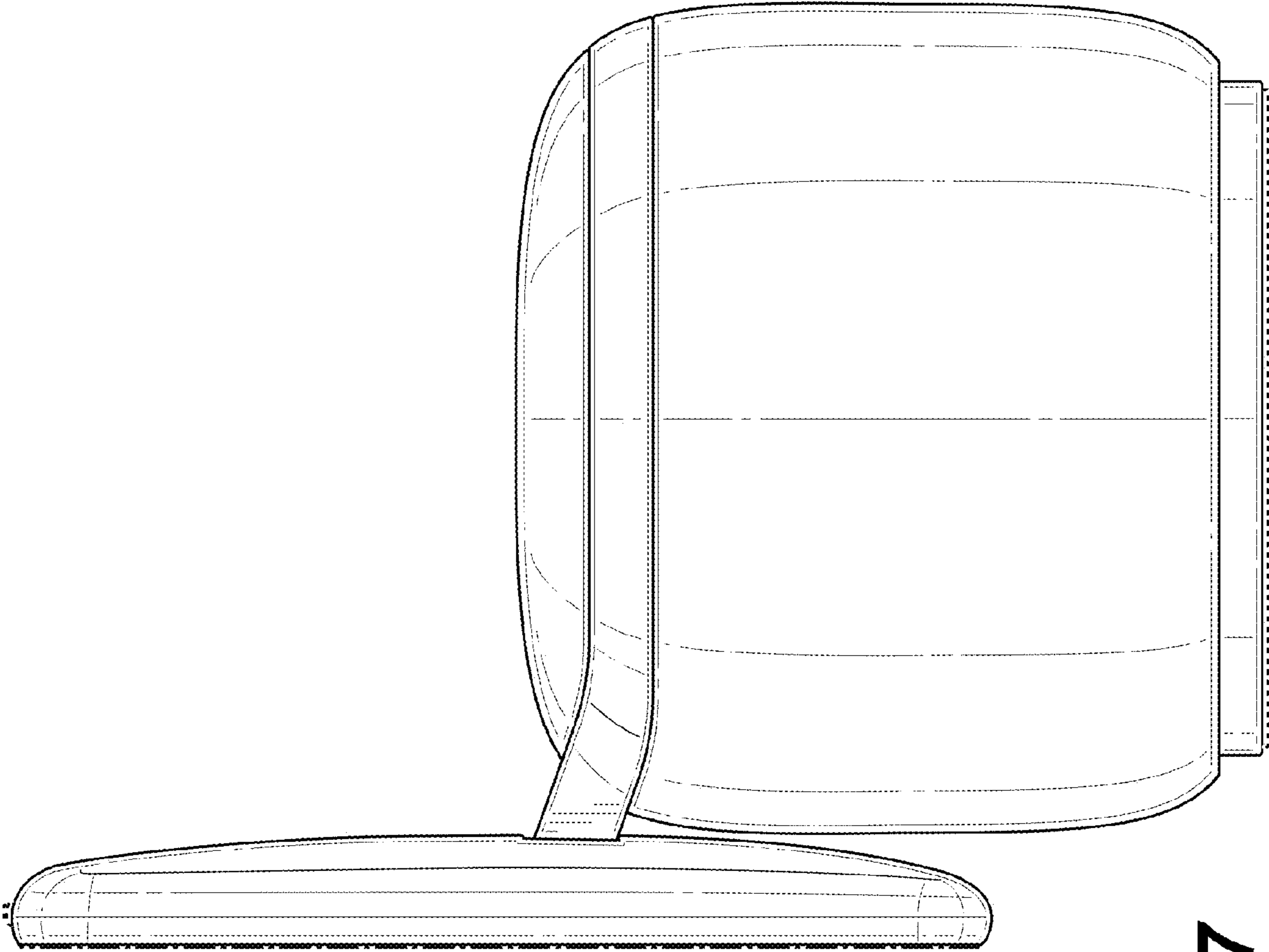


FIG. 7

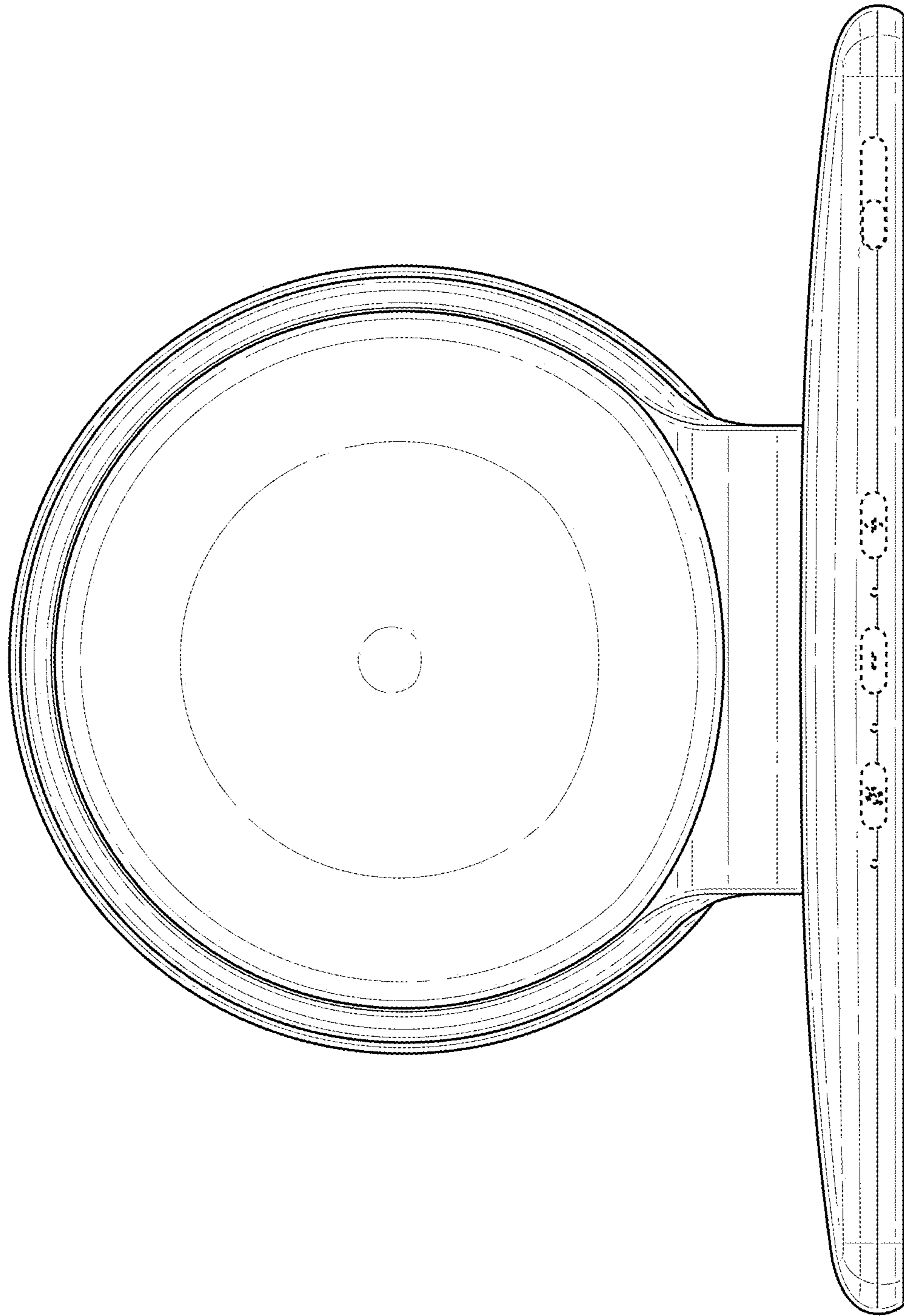


FIG. 8

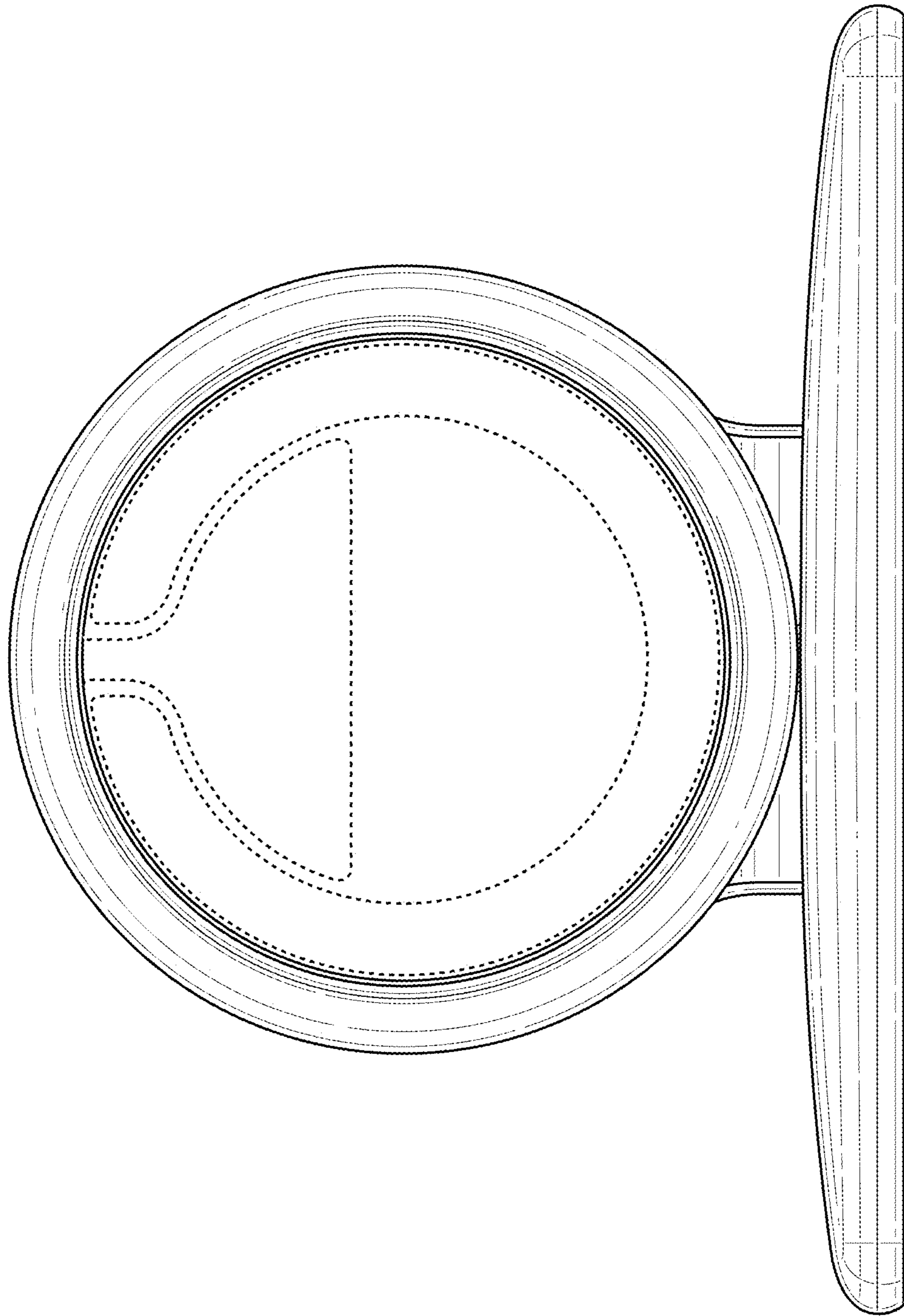


FIG. 9

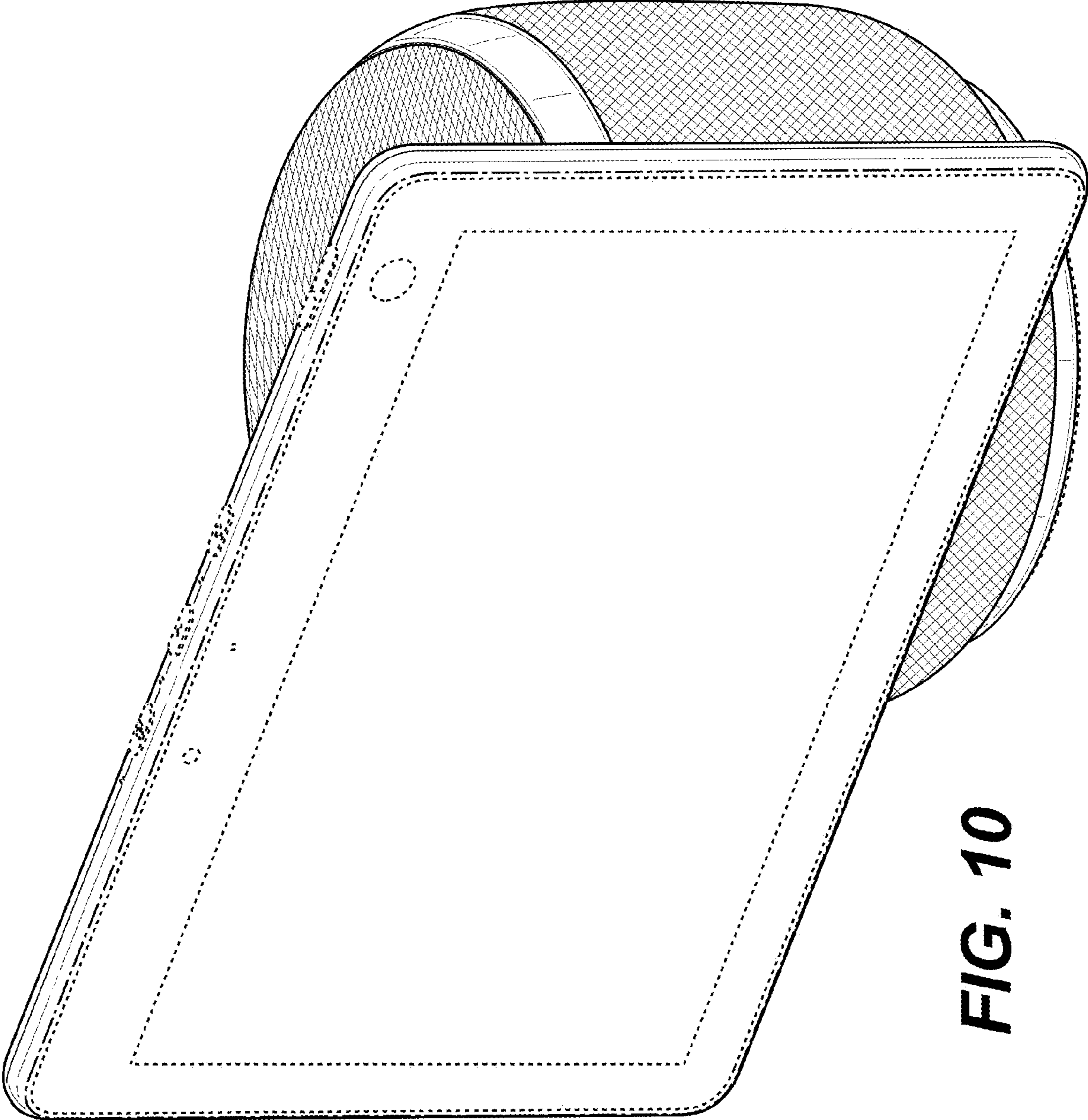


FIG. 10

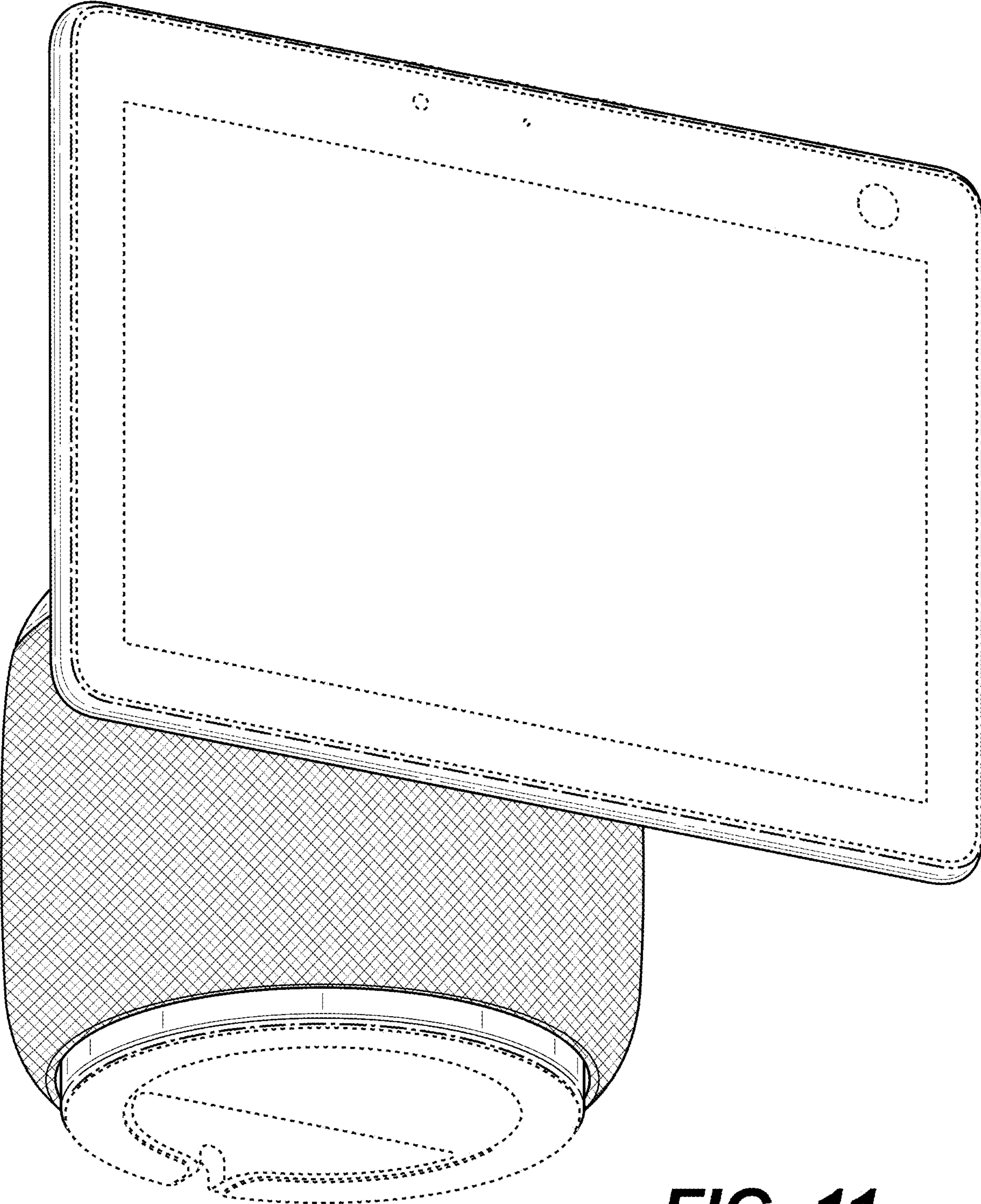


FIG. 11

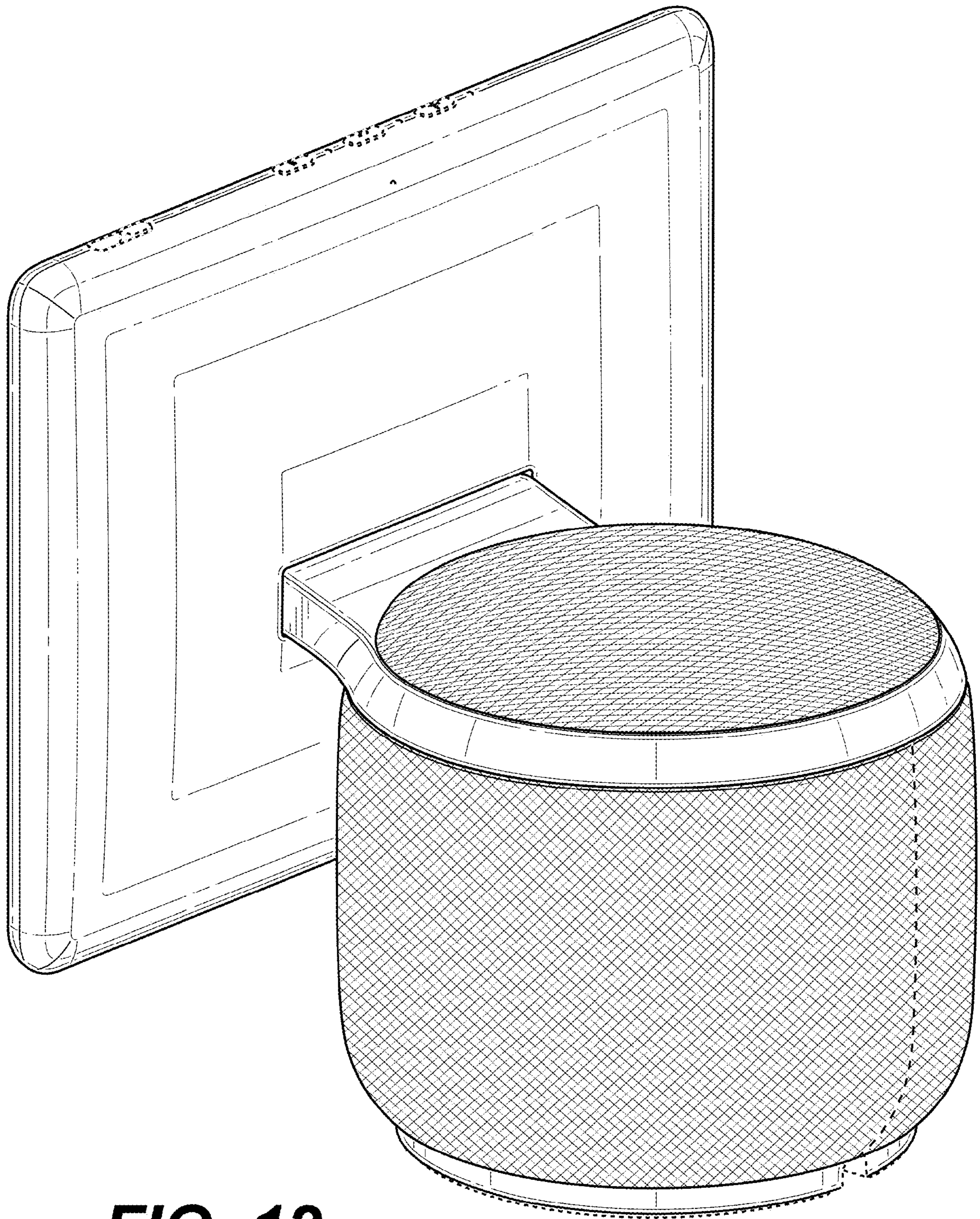


FIG. 12

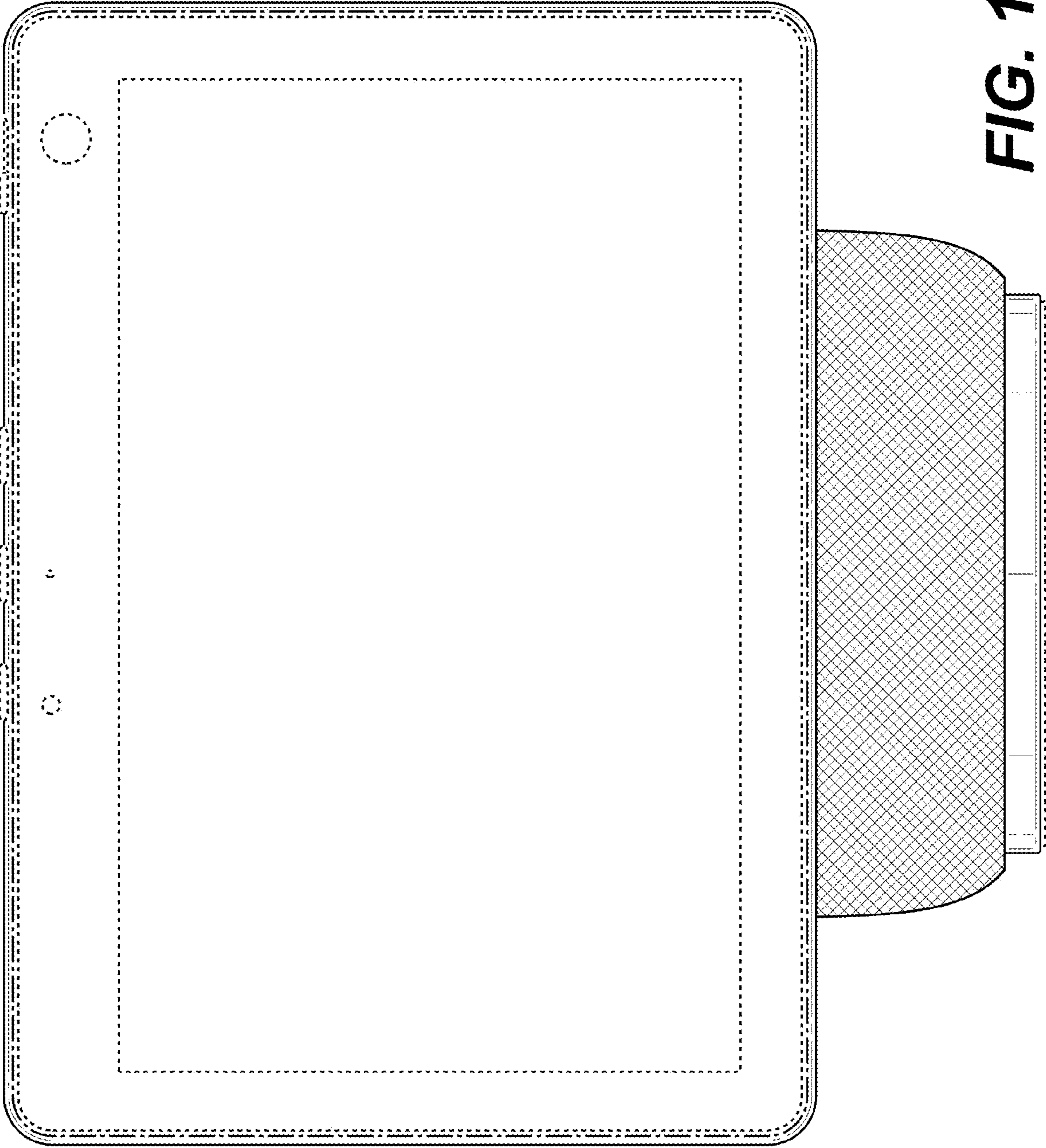


FIG. 13

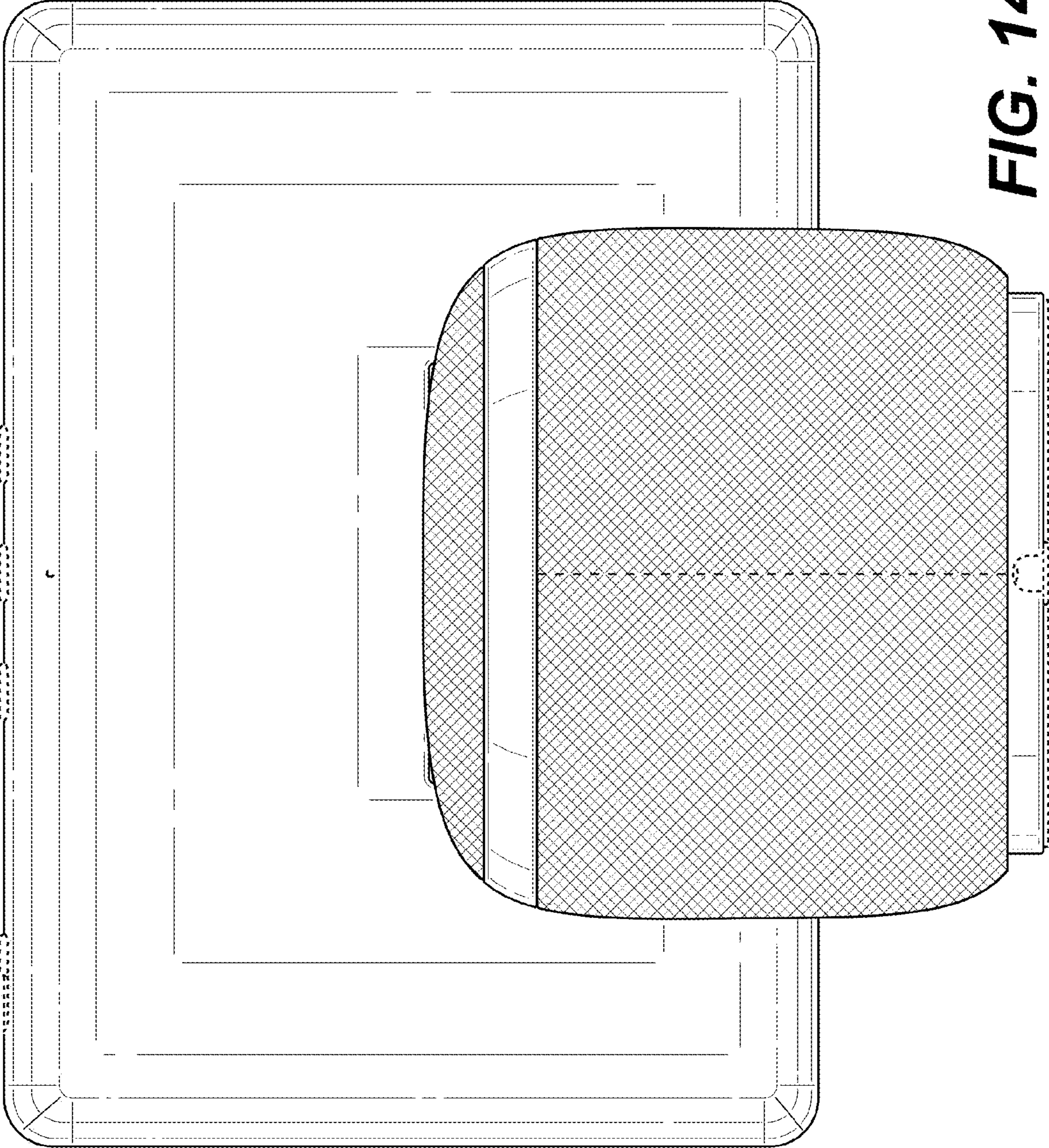


FIG. 14

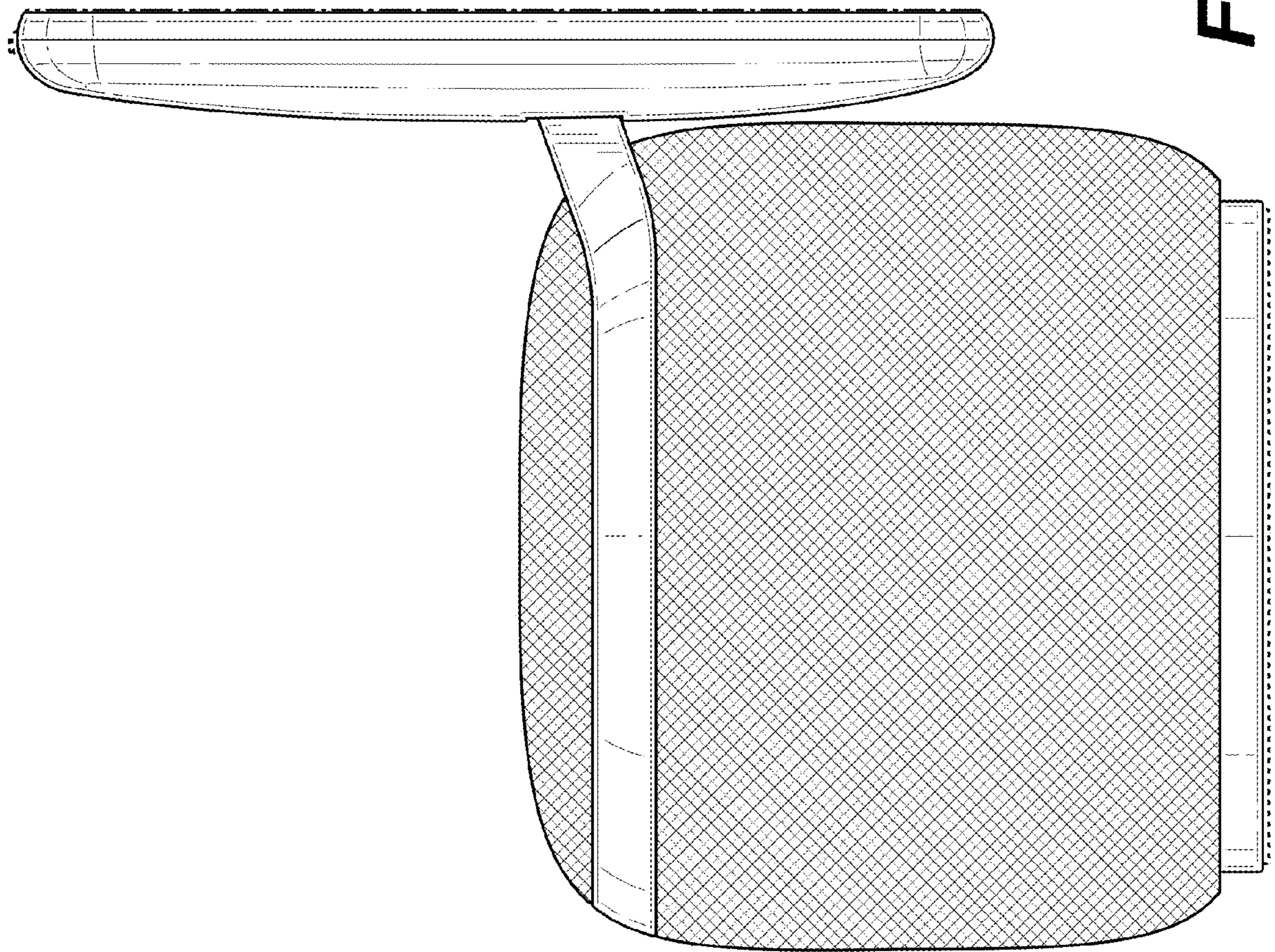


FIG. 15

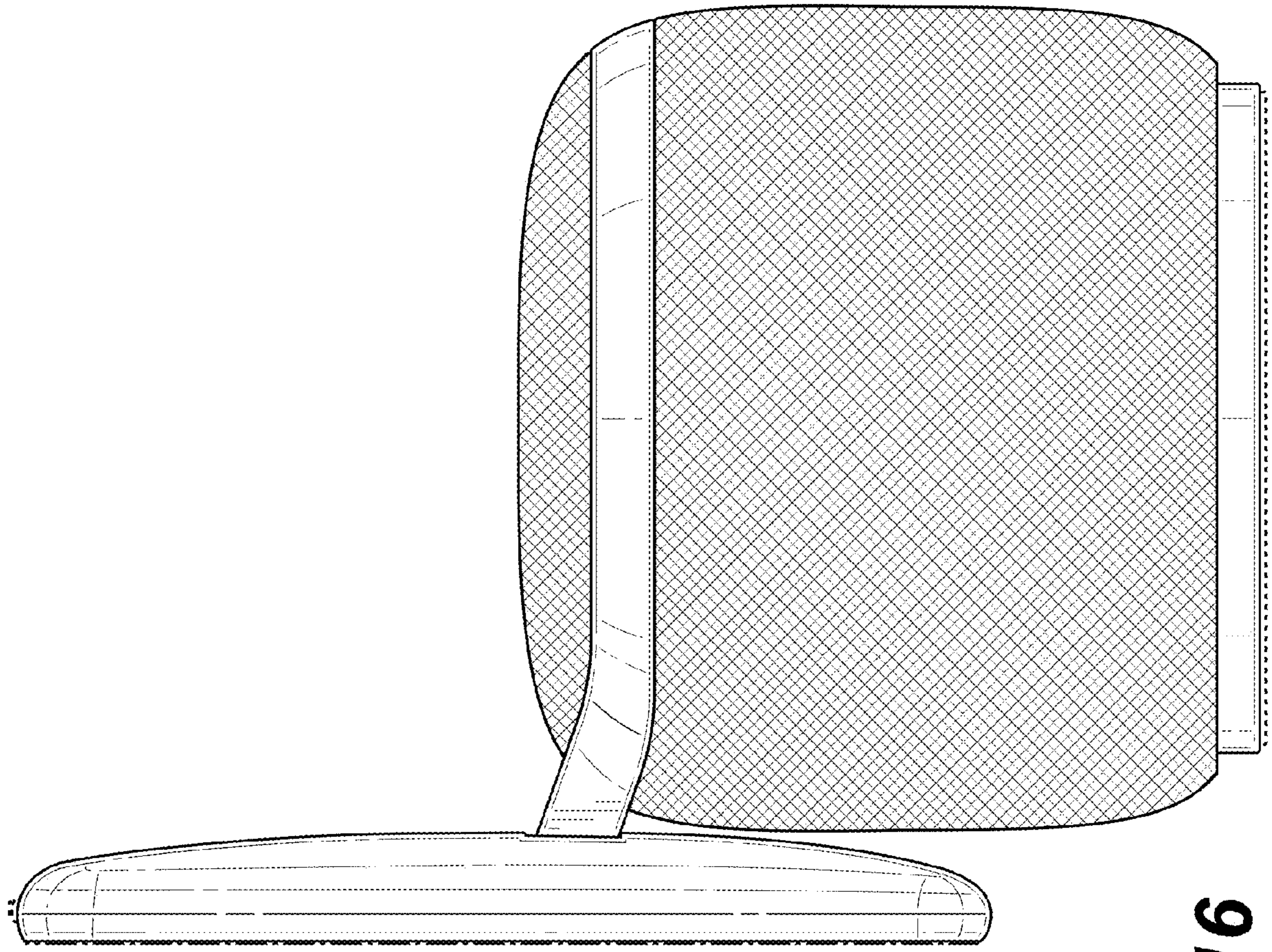


FIG. 16

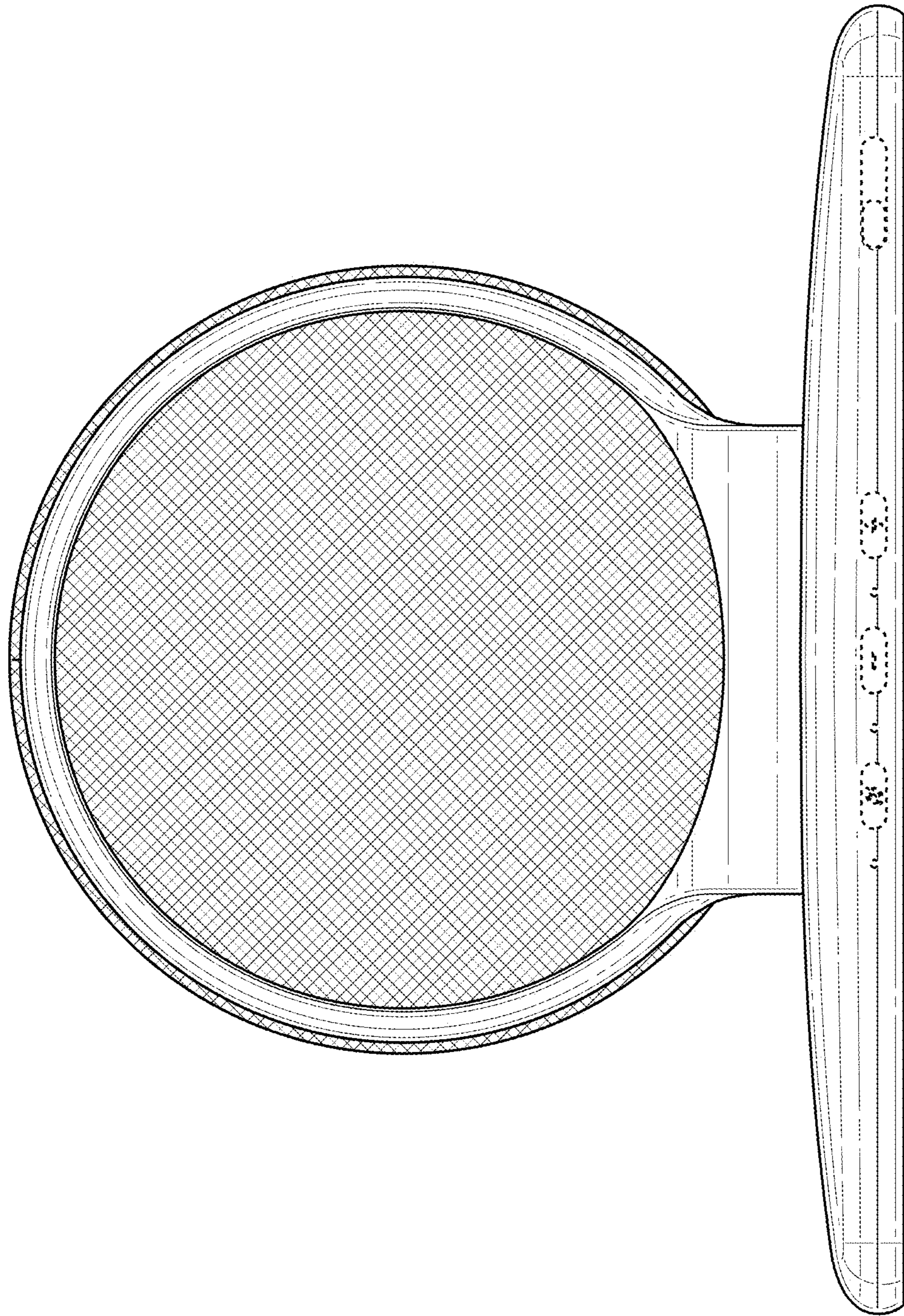


FIG. 17

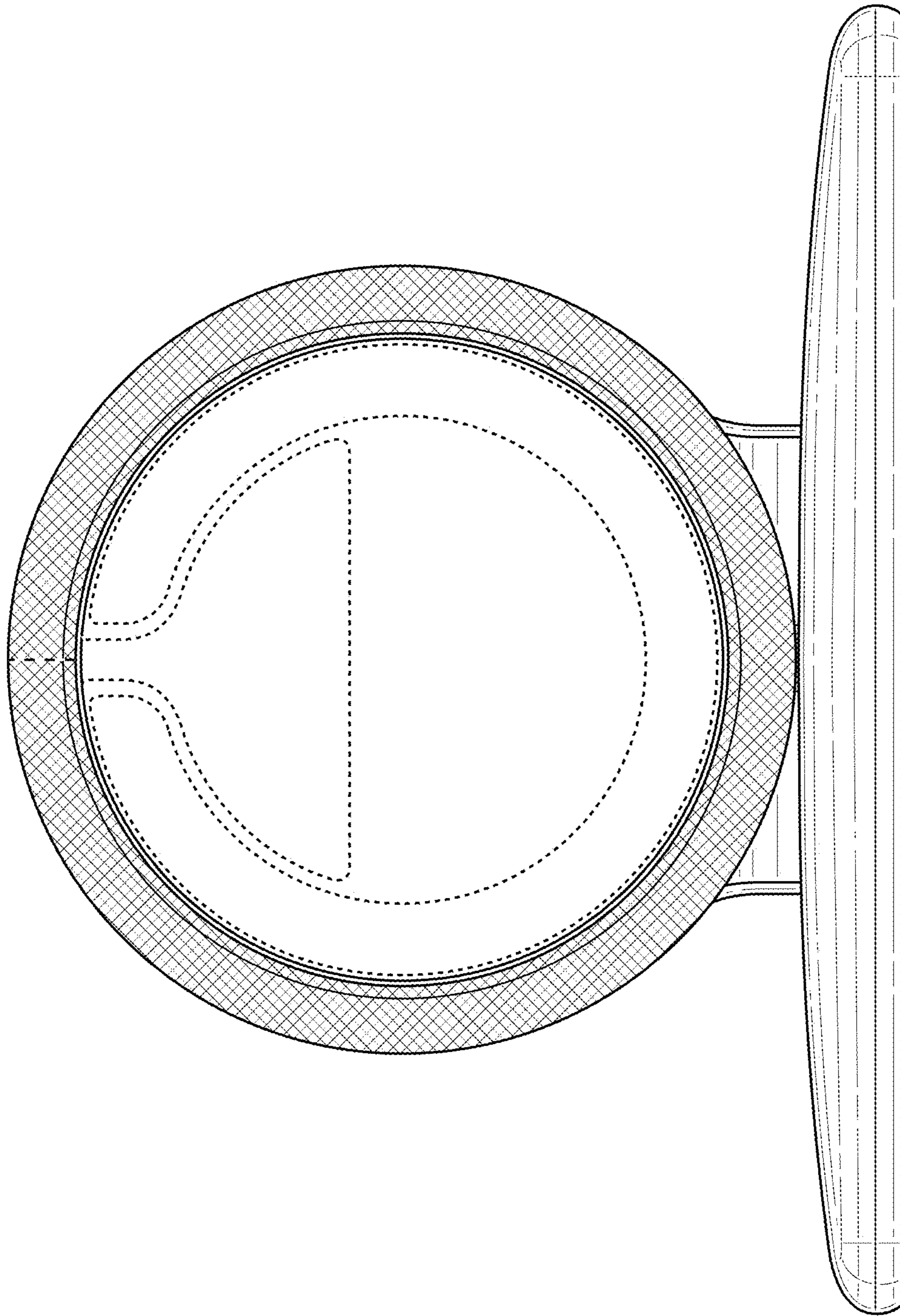


FIG. 18