



US00D953321S

(12) **United States Design Patent**
Hsu et al.

(10) **Patent No.:** **US D953,321 S**
(45) **Date of Patent:** **** May 31, 2022**

(54) **PORTABLE INFORMATION HANDLING SYSTEM**

FOREIGN PATENT DOCUMENTS

CN 306512125 * 5/2021
KR 301071155.0000 * 8/2020

(71) Applicant: **Dell Products L.P.**, Round Rock, TX (US)

OTHER PUBLICATIONS

(72) Inventors: **Chung Hao Hsu**, New Taipei (TW);
Jeff A. Reed, The Hills, TX (US);
Duck Soo Choi, Austin, TX (US)

14s-dq Laptop, HP, tweakers.net, author unlisted, published by Jelle Stuij and Julian Huijbregts on Feb. 1, 2020 © 1998-2021, online, site visited Jun. 8, 2021. Available from Internet, URL: <https://tweakers.net/reviews/7638/2/laptop-best-buy-guide-februari-2020-budgetlaptop-hp-14s-dq.html> (Year: 2020).*

(73) Assignee: **Dell Products L.P.**, Round Rock, TX (US)

(Continued)

(**) Term: **15 Years**

Primary Examiner — Sandra Snapp

Assistant Examiner — Altaira J Swangin

(21) Appl. No.: **29/723,513**

(74) *Attorney, Agent, or Firm* — Zagorin Cave LLP;
Robert W. Holland

(22) Filed: **Feb. 7, 2020**

(57) **CLAIM**

(51) **LOC (13) Cl.** **14-02**

We claim the ornamental design for a portable information handling system, as shown and described.

(52) **U.S. Cl.**

DESCRIPTION

USPC **D14/315**

(58) **Field of Classification Search**

USPC D14/203.4, 247, 315–327, 331, 345–346,
D14/371–372, 376–377, 391–399, 401,
D14/429, 434, 440, 455–457, 477, 507,
D14/441; D21/324, 409, 512, 515;
D24/158–159, 186

CPC B41J 3/36; G06F 1/1616; G06F 1/1643

See application file for complete search history.

FIG. 1 is a front perspective view of the portable information handling system comprising the present invention;
FIG. 2 is a front elevation view thereof;
FIG. 3 is a rear elevation view thereof;
FIG. 4 is a right side view thereof;
FIG. 5 is a left side view thereof;
FIG. 6 is a top view thereof; and
FIG. 7 is a bottom view thereof;
FIG. 8 is a front upper perspective view thereof in an open position;
FIG. 9 is a rear lower perspective view thereof in an open position; and,
FIG. 10 is a rear lower perspective view thereof is a closed position.

Broken lines shown in the drawings illustrate portions of the portable information handling system, and form no part of the claimed design.

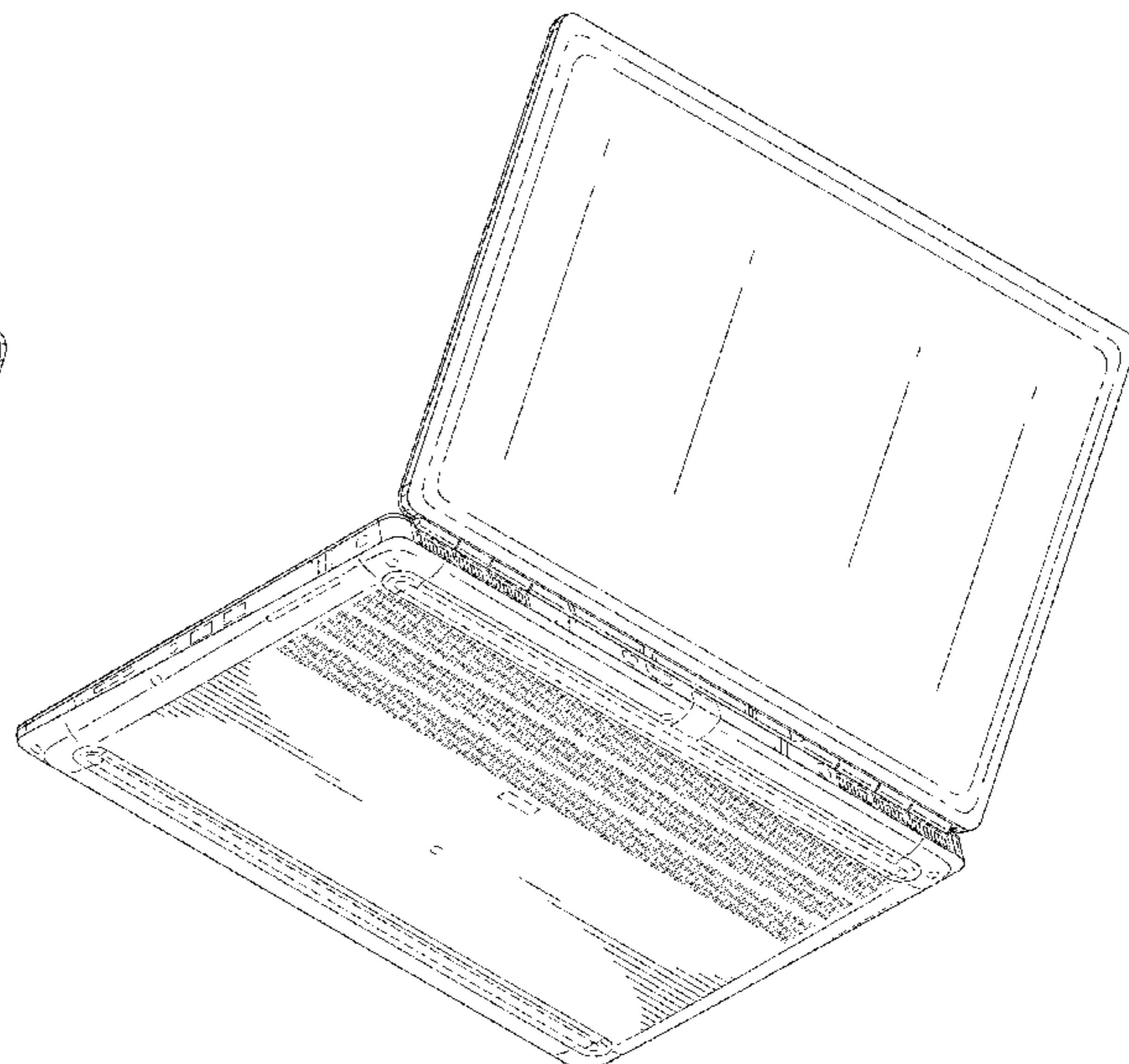
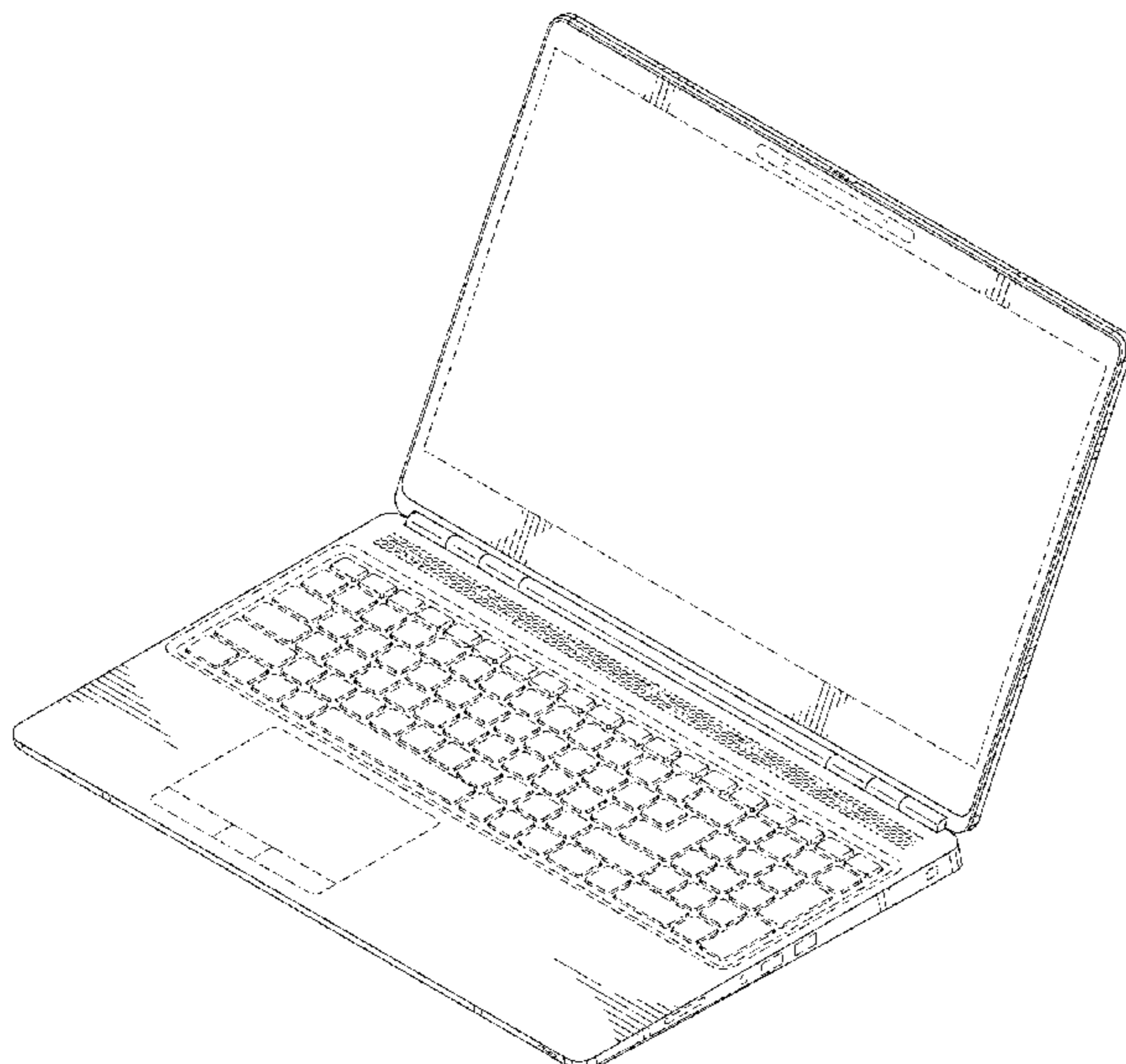
(56) **References Cited**

U.S. PATENT DOCUMENTS

D495,691 S * 9/2004 Takada D14/318
D591,283 S * 4/2009 Luminosu D14/318
D591,284 S * 4/2009 Luminosu D14/318
D591,738 S * 5/2009 Luminosu D14/318
D660,262 S * 5/2012 Cho D14/132
D676,042 S * 2/2013 McManigal D14/318

(Continued)

1 Claim, 8 Drawing Sheets



(56)

References Cited

U.S. PATENT DOCUMENTS

D679,705 S * 4/2013 McManigal D14/318
 D688,237 S * 8/2013 Paulhac D14/315
 D703,660 S * 4/2014 McManigal D14/318
 D705,220 S * 5/2014 Wolff D14/315
 D706,756 S * 6/2014 Myung D14/315
 D706,759 S * 6/2014 Myung D14/315
 D719,149 S * 12/2014 Matsuoka D14/318
 D720,742 S * 1/2015 Leonard D14/315
 D725,648 S * 3/2015 Chang D14/327
 D743,390 S * 11/2015 Lyles D14/315
 D743,958 S * 11/2015 Goh D14/315
 D756,350 S * 5/2016 Sun D14/315
 D756,351 S * 5/2016 Sun D14/315
 D758,360 S 6/2016 Lyles et al.
 D762,638 S * 8/2016 Chang D14/315
 D766,233 S * 9/2016 Lam D14/315
 D781,282 S * 3/2017 Hsu D14/315
 D786,858 S * 5/2017 Cheng D14/315
 D802,584 S * 11/2017 Kong D14/315
 D807,344 S 1/2018 Sun et al.
 D812,604 S * 3/2018 Akana D14/315
 D813,225 S * 3/2018 Akana D14/315
 D813,226 S * 3/2018 Akana D14/315
 D829,710 S * 10/2018 Seoc D14/315
 D837,202 S * 1/2019 Lee D14/315
 D864,948 S * 10/2019 Yoshida D14/327
 D865,757 S * 11/2019 Townsend D14/327
 D880,473 S * 4/2020 Moon D14/327
 D890,167 S * 7/2020 Moon D14/315
 D890,749 S * 7/2020 Draca D14/327
 10,705,564 B2 * 7/2020 Abe G06F 1/1656
 10,809,763 B2 * 10/2020 Abe G06F 1/1633
 D904,395 S * 12/2020 Reed D14/315

D912,659 S * 3/2021 Cheng D14/315
 D914,675 S * 3/2021 Wolff D14/327
 D915,393 S * 4/2021 Lee D14/316
 D915,396 S * 4/2021 Sheu D14/327
 D916,076 S * 4/2021 Seoc D14/315
 D917,461 S * 4/2021 DiLoreto D14/327
 2010/0067182 A1 * 3/2010 Tanaka G06F 1/203
 361/679.08
 2013/0194741 A1 * 8/2013 Uchiyama G06F 1/1681
 361/679.26
 2014/0029187 A1 * 1/2014 Okuley G06F 1/1681
 361/679.09
 2014/0313656 A1 * 10/2014 Tsao G06F 3/0202
 361/679.08
 2015/0277519 A1 * 10/2015 Yang H05K 7/20154
 361/679.48
 2018/0173282 A1 * 6/2018 Huang H01L 23/427
 2019/0212790 A1 * 7/2019 Chen G06F 1/1698
 2020/0174529 A1 * 6/2020 Goh G06F 1/1643
 2020/0233465 A1 * 7/2020 Lim G06F 3/021
 2021/0397219 A1 * 12/2021 Ku G06F 1/1662

OTHER PUBLICATIONS

U.S. Appl. No. 29/669,204, filed Nov. 6, 2018, entitled "Convertible Information Handling System," by inventors Weijong Sheu et al.
 U.S. Appl. No. 29/669,207, filed Nov. 6, 2018, entitled "Portable Information Handling System," by inventors Nicholas Gregory DiLoreto et al.
 U.S. Appl. No. 29/628,940, filed Dec. 8, 2017, entitled "Information Handling System," by inventors Jeff A. Reed et al.
 U.S. Appl. No. 29/589,572, filed Jan. 3, 2017, entitled "Information Handling System," by inventors Paul J. Doczy et al.

* cited by examiner

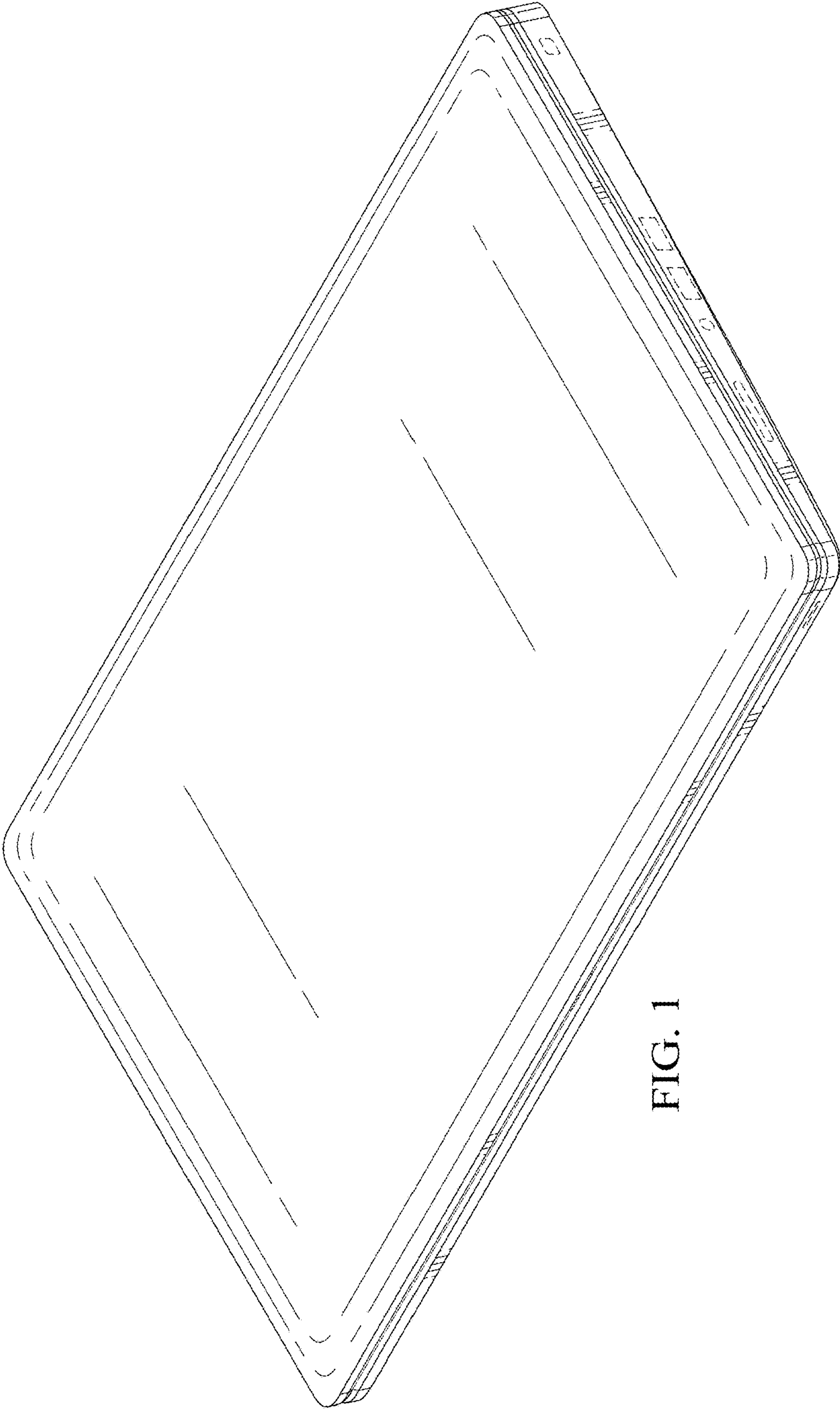


FIG. 1

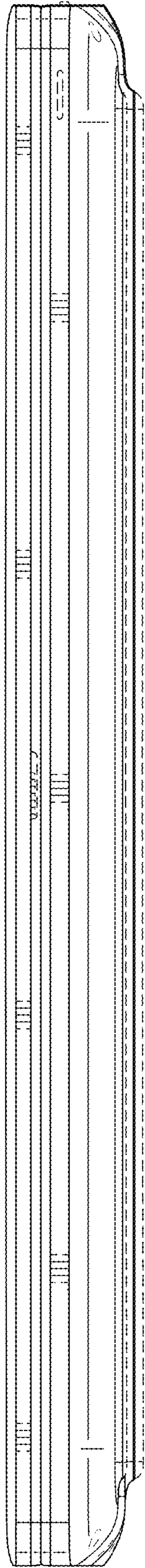


FIG. 2

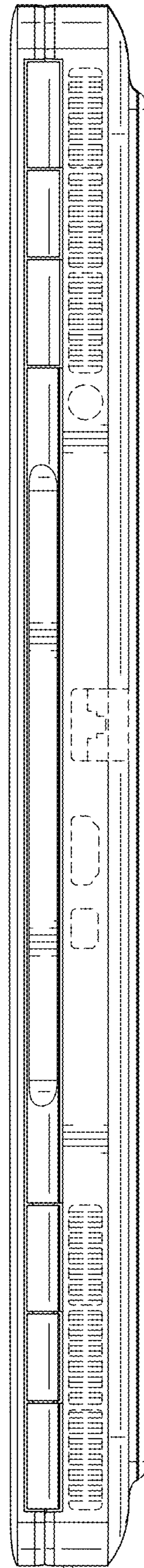


FIG. 3

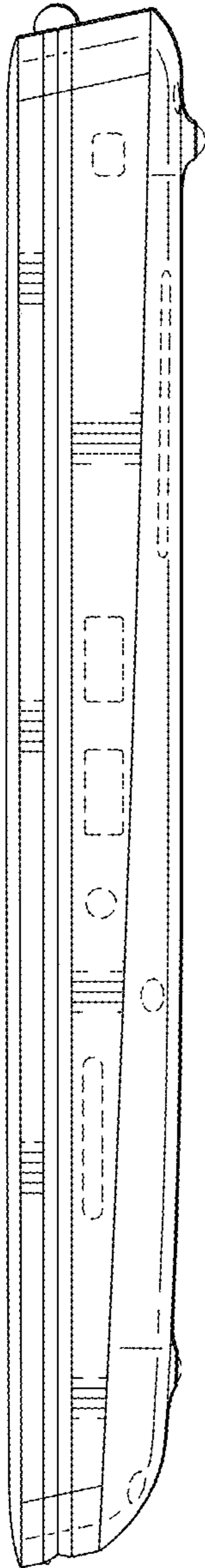


FIG. 4

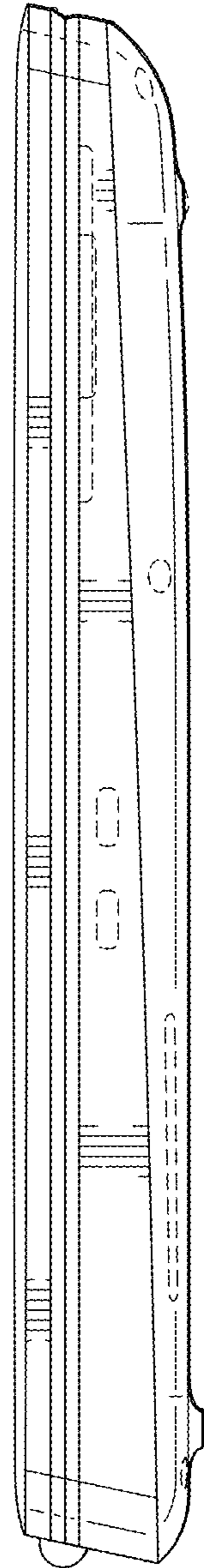


FIG. 5

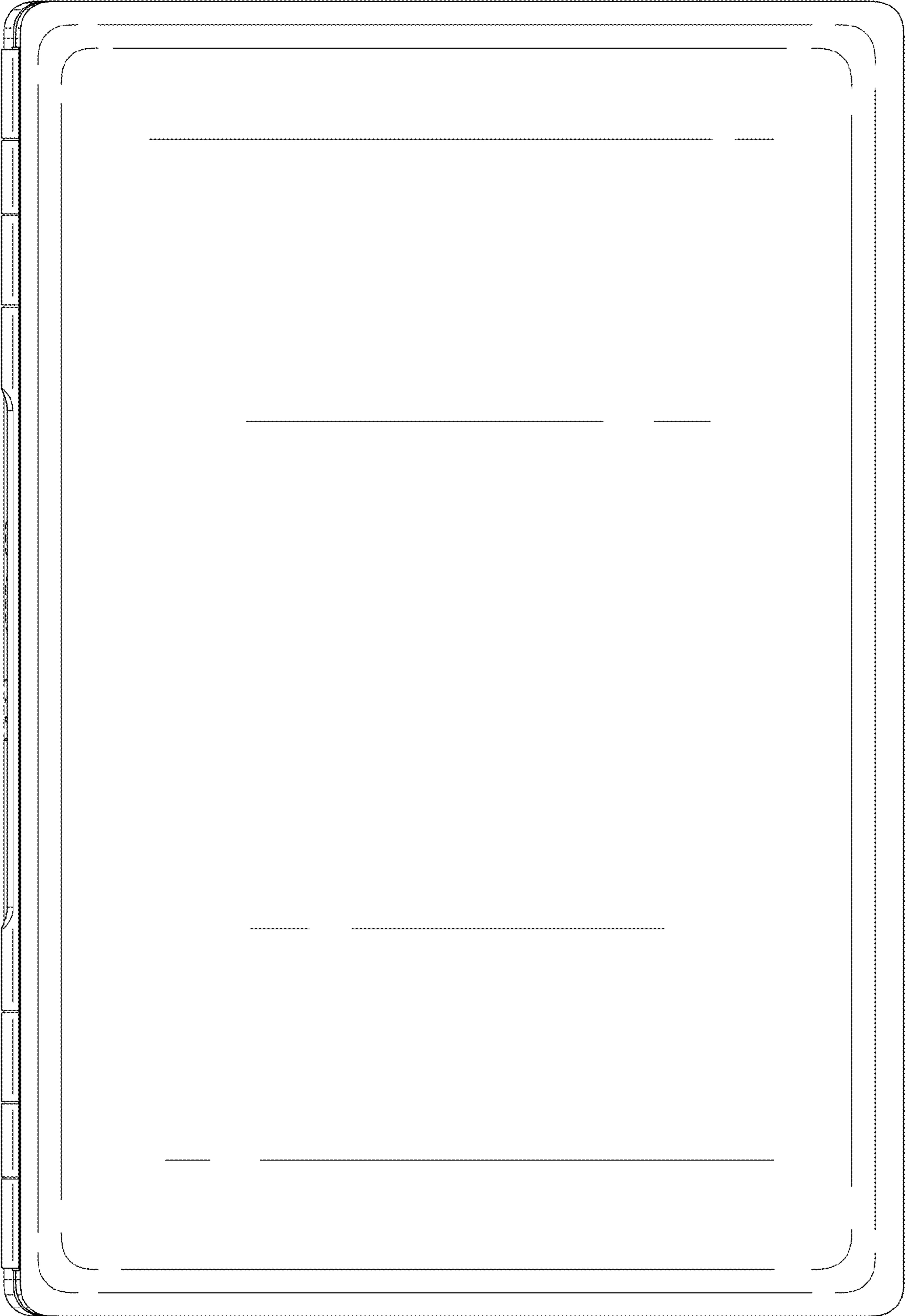


FIG. 6

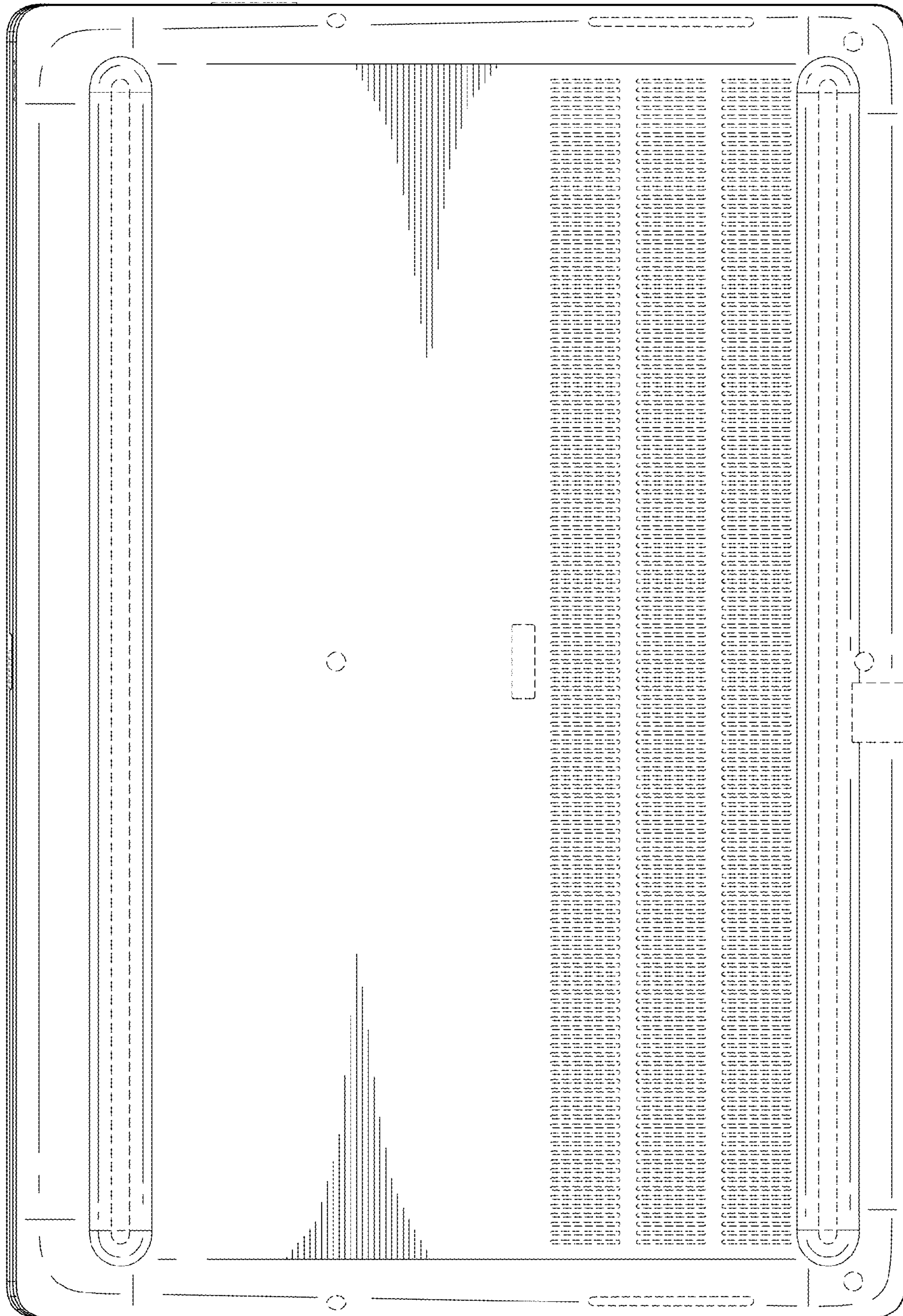


FIG. 7

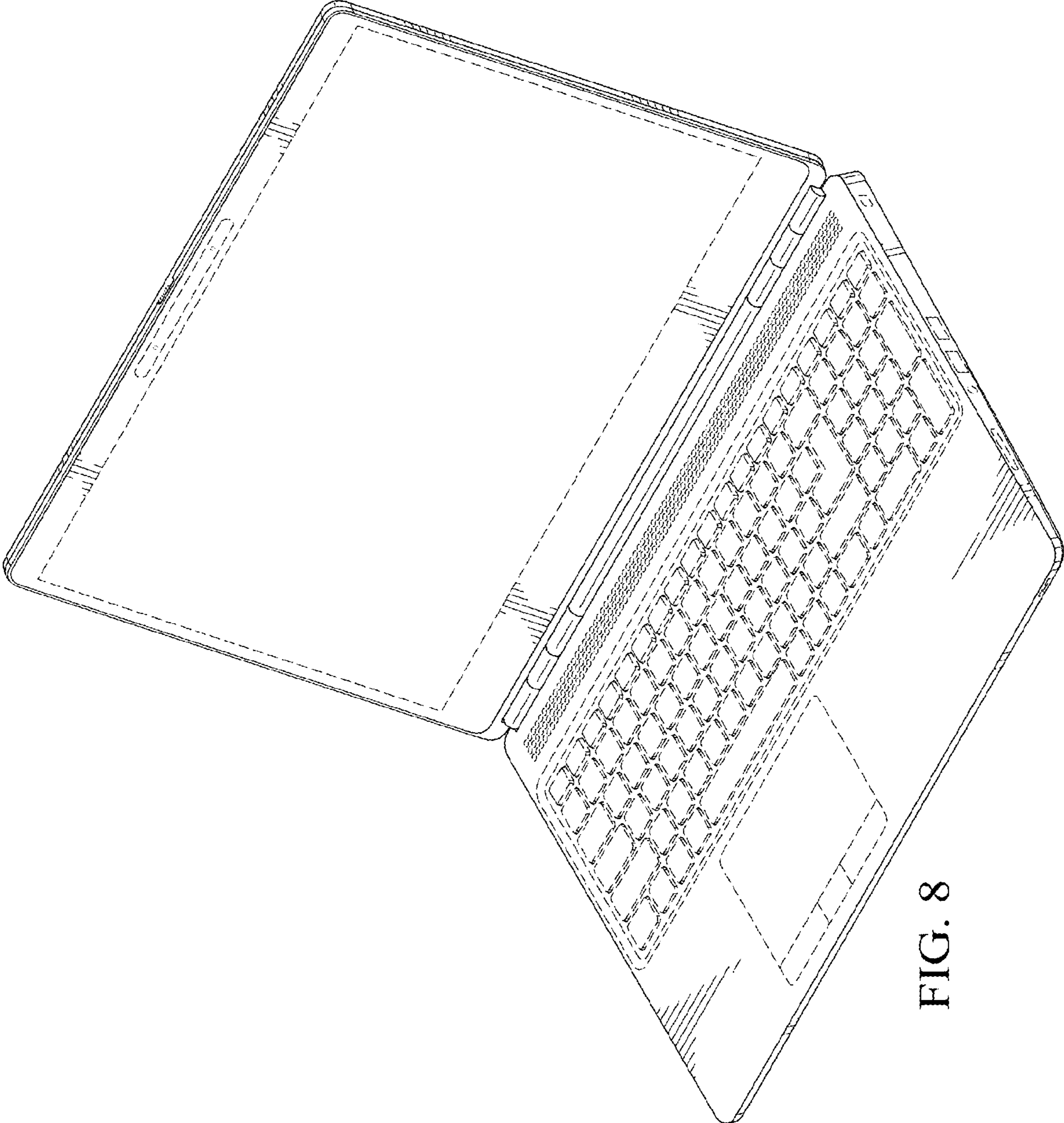


FIG. 8

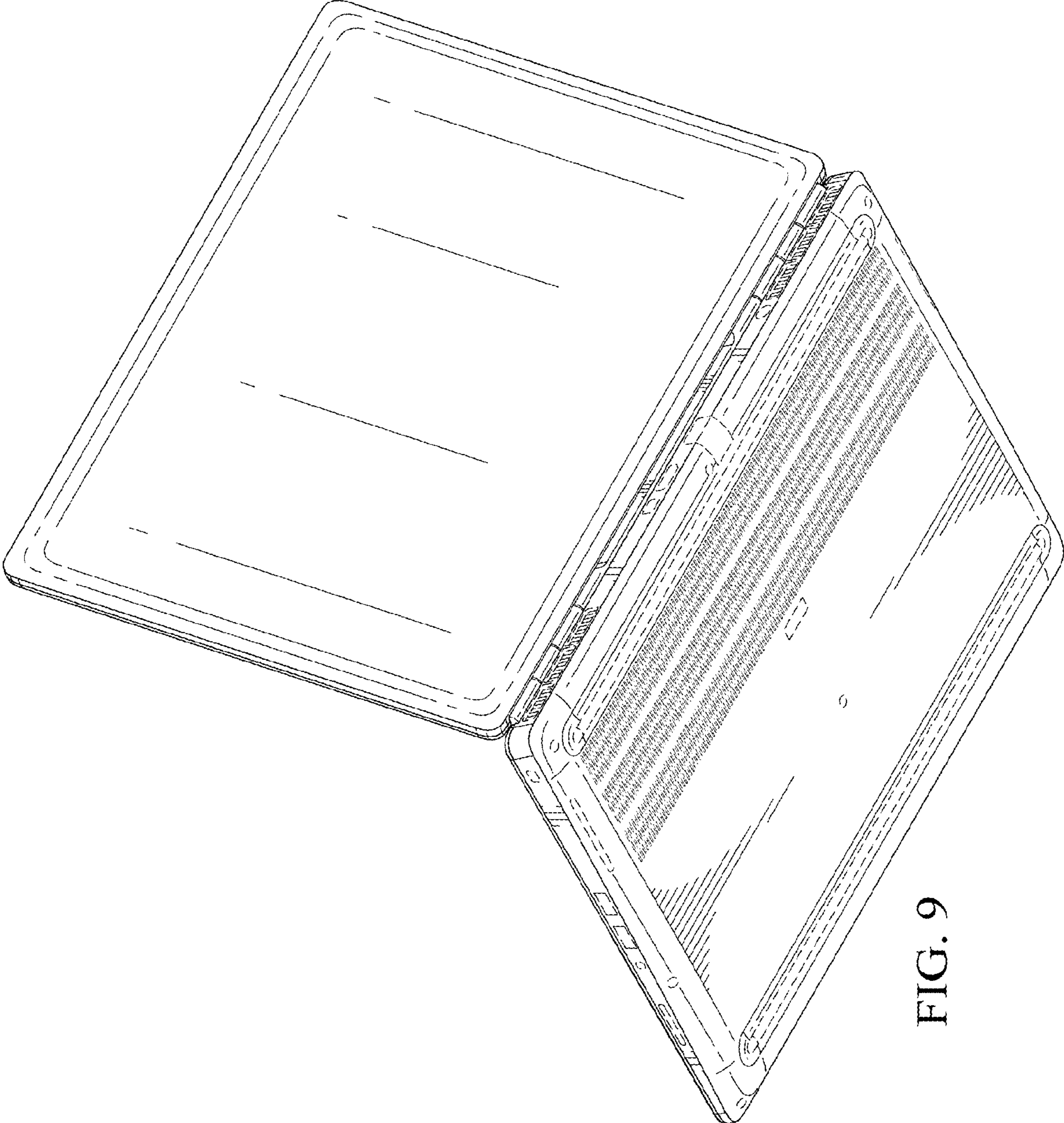


FIG. 9

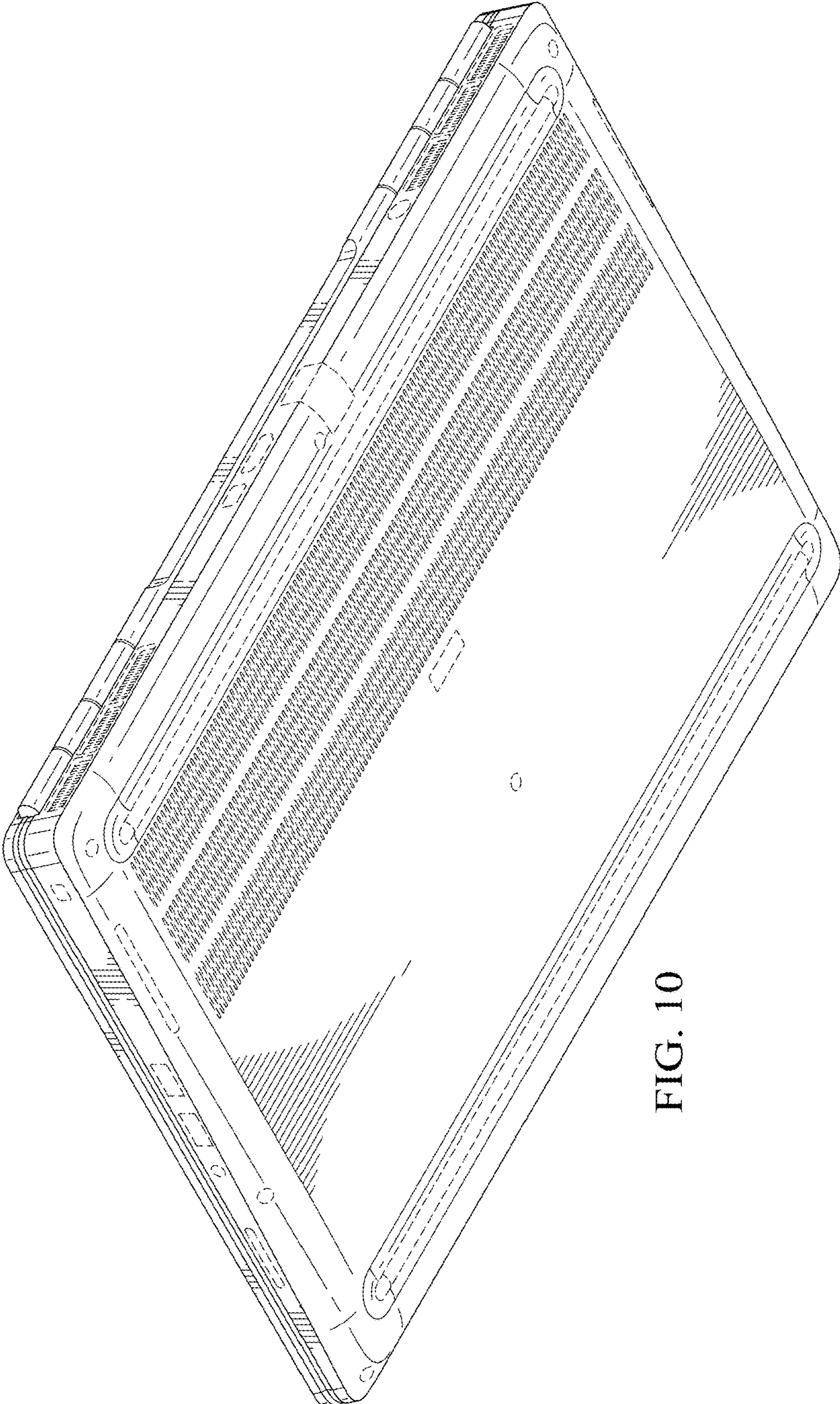


FIG. 10