



US00D953318S

(12) **United States Design Patent**  
**Xu**

(10) **Patent No.:** **US D953,318 S**

(45) **Date of Patent:** **\*\* May 31, 2022**

(54) **MOBILE PHONE HOLDER**

(71) Applicant: **Shenzhen Shamolang Technology Co., Ltd.**, Shenzhen (CN)

(72) Inventor: **Tao Xu**, Shenzhen (CN)

(\*\*) Term: **15 Years**

(21) Appl. No.: **29/760,346**

(22) Filed: **Dec. 1, 2020**

(30) **Foreign Application Priority Data**

Jul. 31, 2020 (CN) ..... 202030427243.X

(51) **LOC (13) Cl.** ..... **14-99**

(52) **U.S. Cl.**  
USPC ..... **D14/253**

(58) **Field of Classification Search**  
USPC .... D14/251–253, 224, 224.1, 432–434, 447,  
D14/451, 452; D12/114, 415, 426.1, 223,  
D12/406, 407; D16/242, 244, 245;  
D3/218; D13/108  
CPC ..... B60R 11/00; B60R 11/02; B60R 11/0241;  
B60R 11/0252; B60R 2011/0003; B60R  
2011/0005; B60R 2011/0008; H04M  
1/04; F16M 11/00; F16M 11/04; F16M  
11/041; F16M 11/06; H05K 5/0204  
See application file for complete search history.

(56) **References Cited**

**U.S. PATENT DOCUMENTS**

D219,985 S \* 2/1971 Ray ..... D13/108  
D407,408 S \* 3/1999 Hoff ..... D14/253  
D420,974 S \* 2/2000 Minagawa ..... D13/108

D452,236 S \* 12/2001 Kohli ..... D14/243  
D625,715 S \* 10/2010 Adams, II ..... D14/253  
D728,576 S \* 5/2015 David ..... D14/434  
D771,614 S \* 11/2016 Chang ..... D14/447  
D799,492 S \* 10/2017 Seiss ..... D14/447  
D803,840 S \* 11/2017 Burmester ..... D14/447  
D848,412 S \* 5/2019 Greve ..... D14/253  
D872,727 S \* 1/2020 Chung ..... D12/415  
D877,073 S \* 3/2020 Zheng ..... D13/108  
D879,090 S \* 3/2020 Chung ..... D12/415  
D893,502 S \* 8/2020 Burmester ..... D14/447  
D924,133 S \* 7/2021 Chan ..... D13/108  
D934,229 S \* 10/2021 Chapuis ..... D14/447  
2015/0275943 A1 \* 10/2015 Chang ..... F16B 47/00  
248/205.8

\* cited by examiner

*Primary Examiner* — Rebekah A Caruso

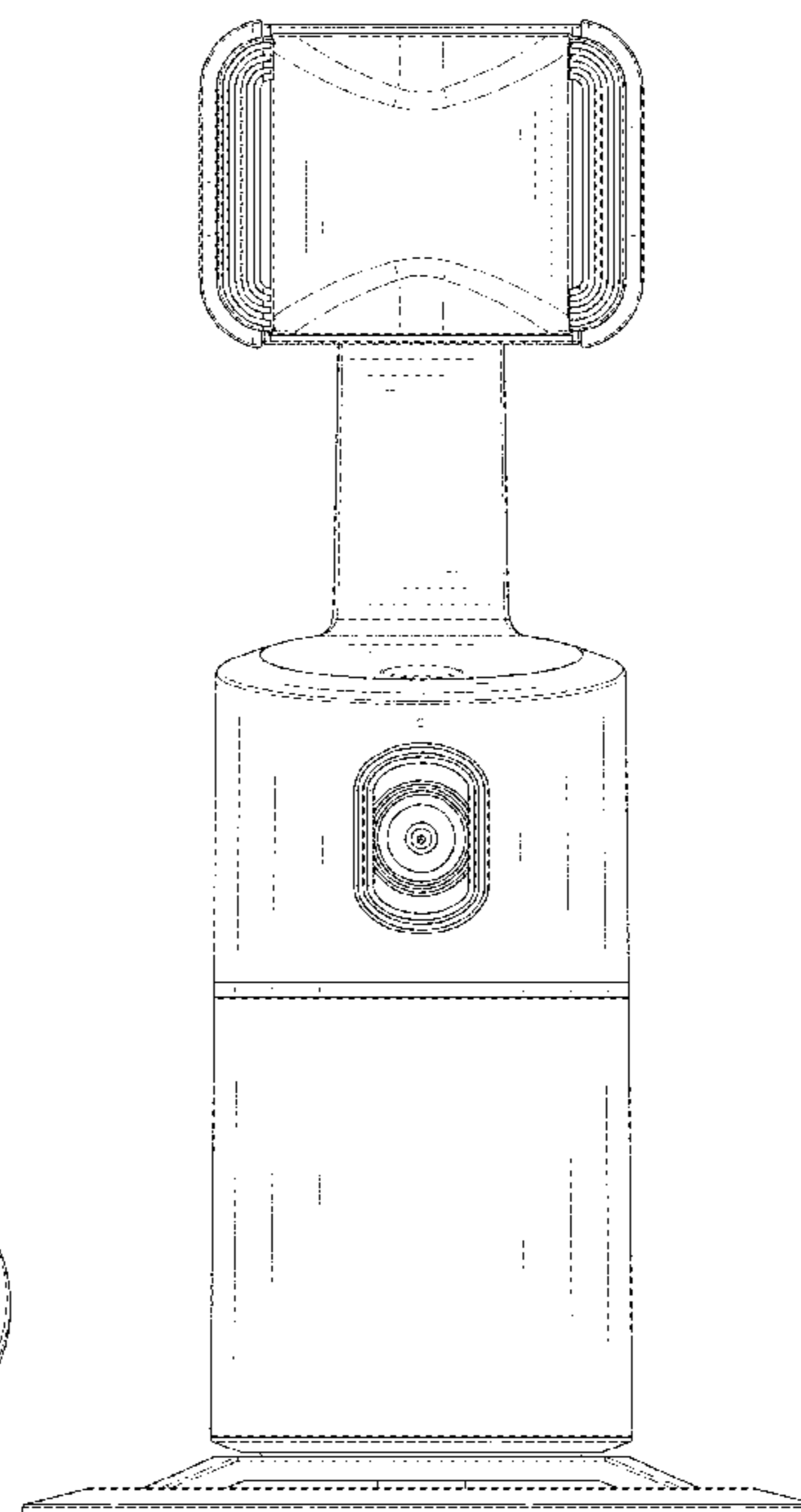
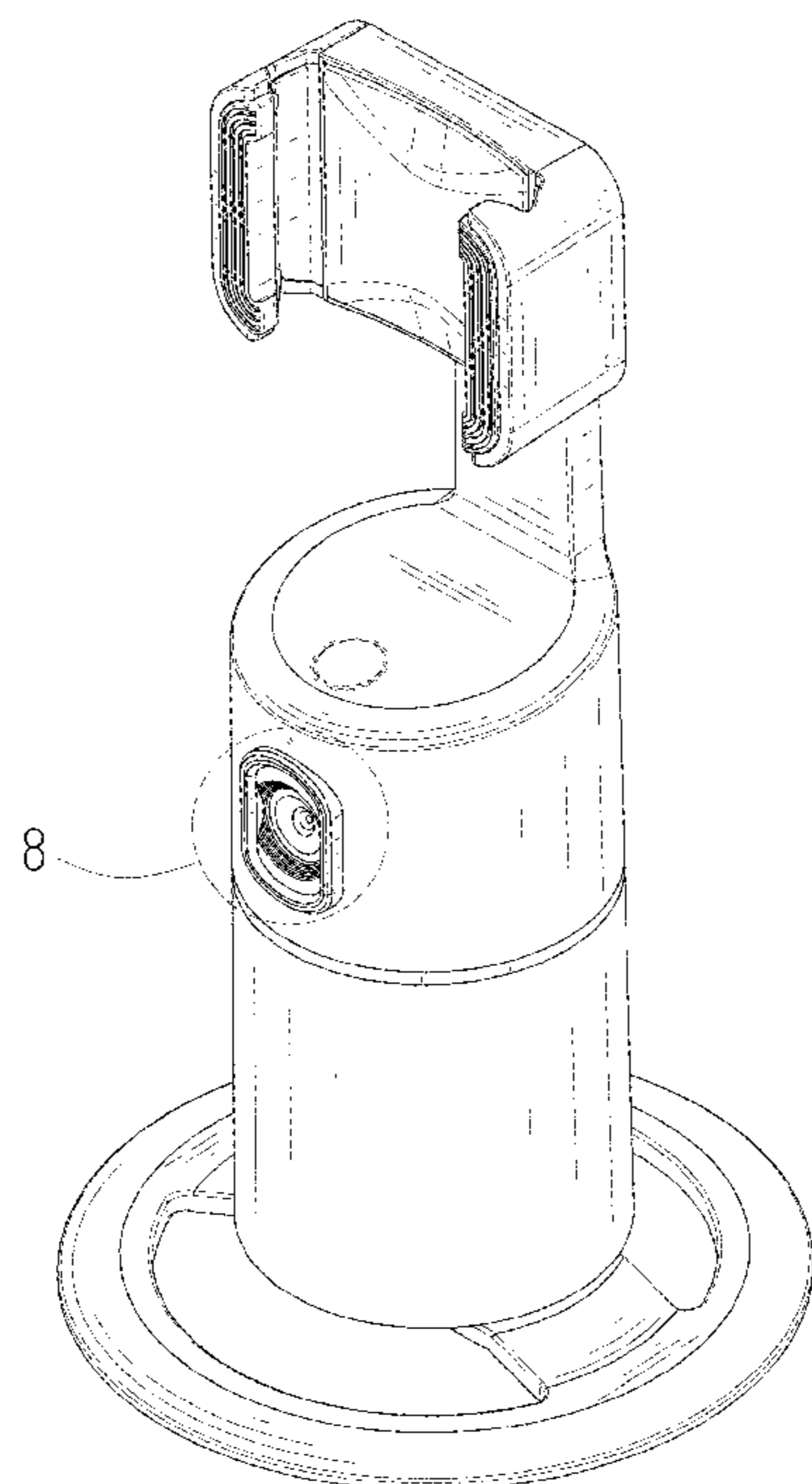
(57) **CLAIM**

The ornamental design for a mobile phone holder, as shown and described.

**DESCRIPTION**

FIG. 1 is a perspective view of a mobile phone holder showing my new design;  
FIG. 2 is a front view thereof;  
FIG. 3 is a back view thereof;  
FIG. 4 is a left side view thereof;  
FIG. 5 is a right side view thereof;  
FIG. 6 is a top view thereof;  
FIG. 7 is a bottom view thereof; and,  
FIG. 8 is an enlarged view of the selected portion in FIG. 1.  
The broken lines shown in the drawings depict portions of the mobile phone holder in which the design is embodied that form no part of the claimed design.

**1 Claim, 8 Drawing Sheets**



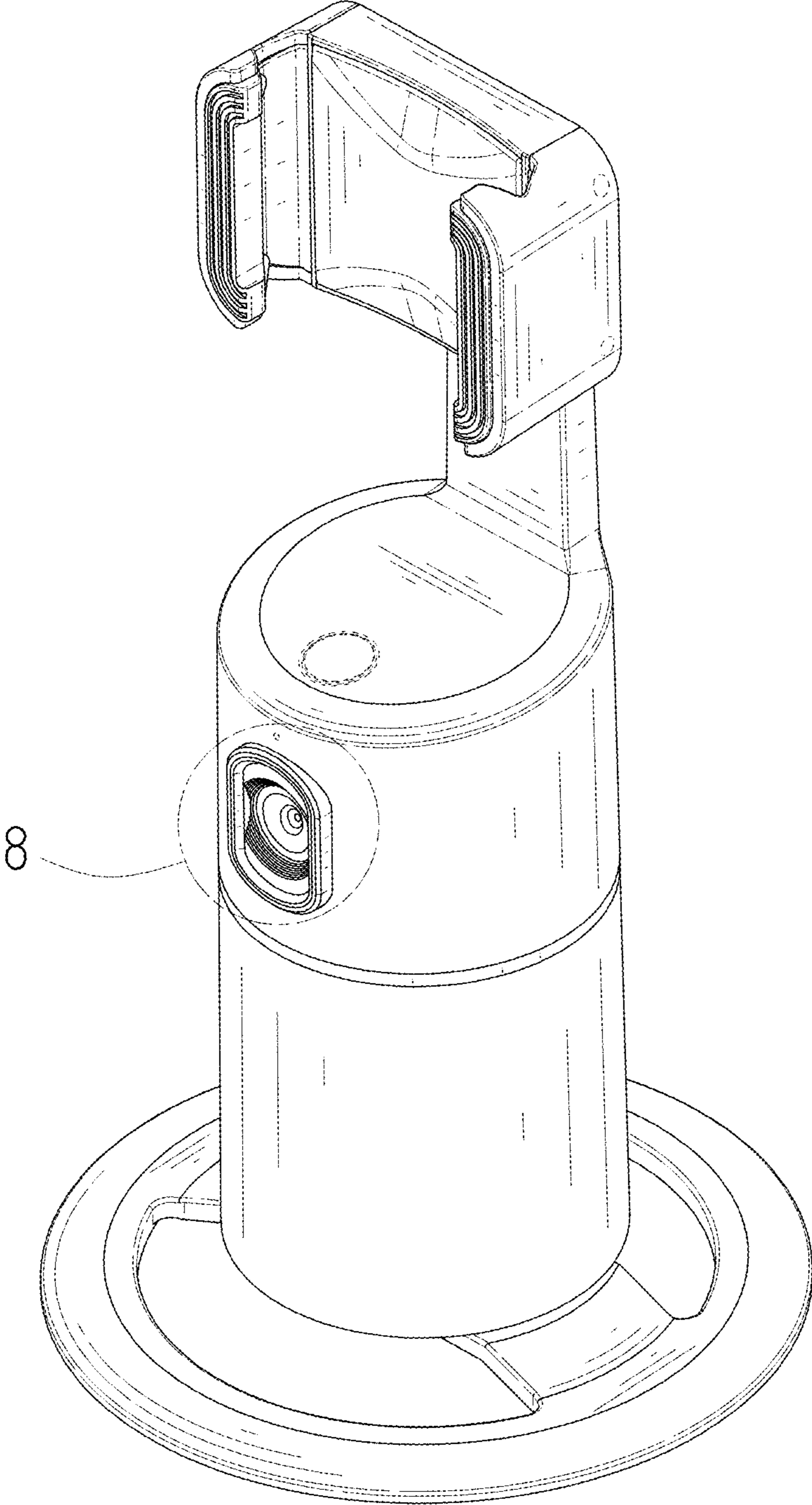


FIG. 1

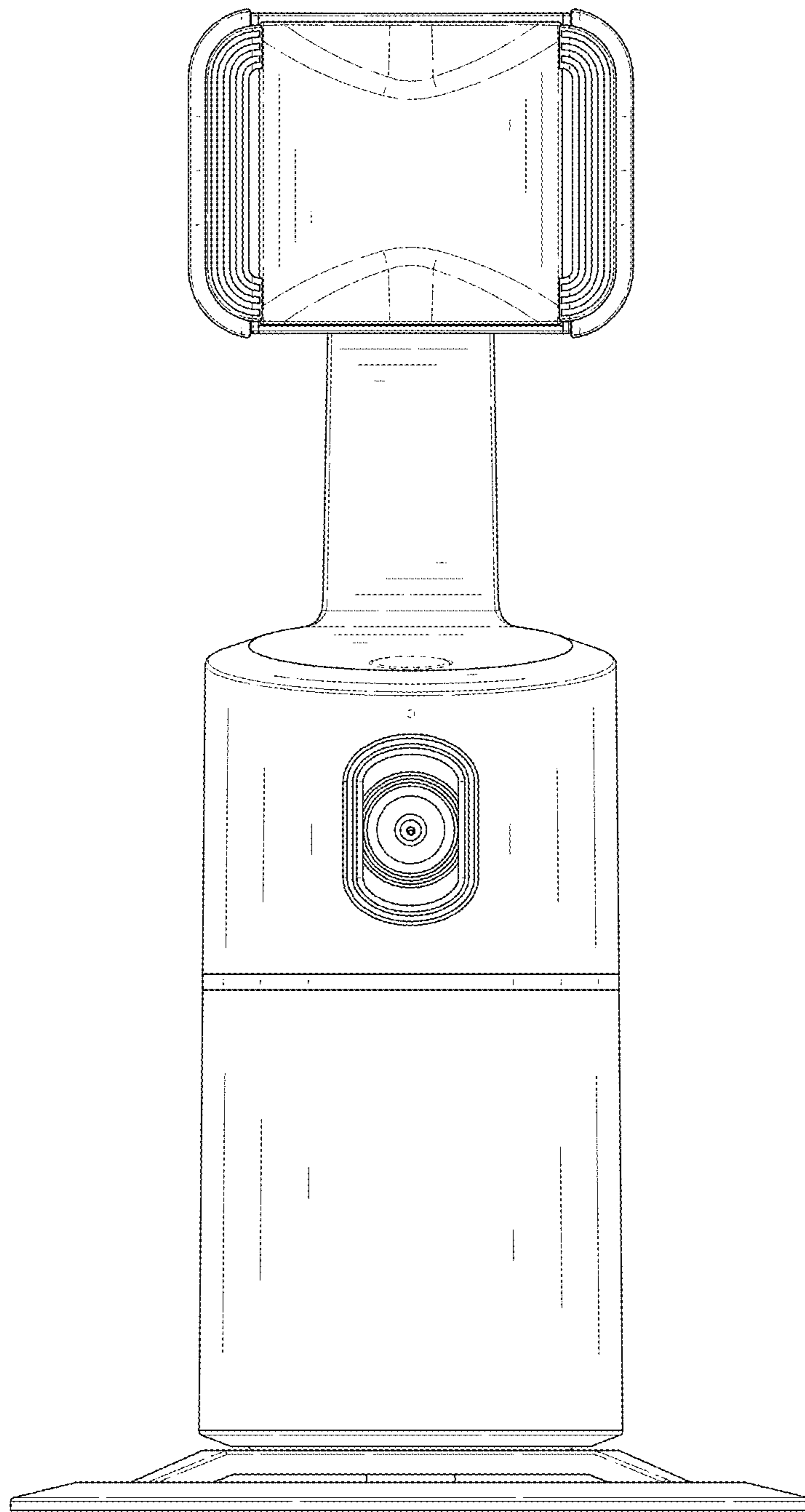


FIG. 2

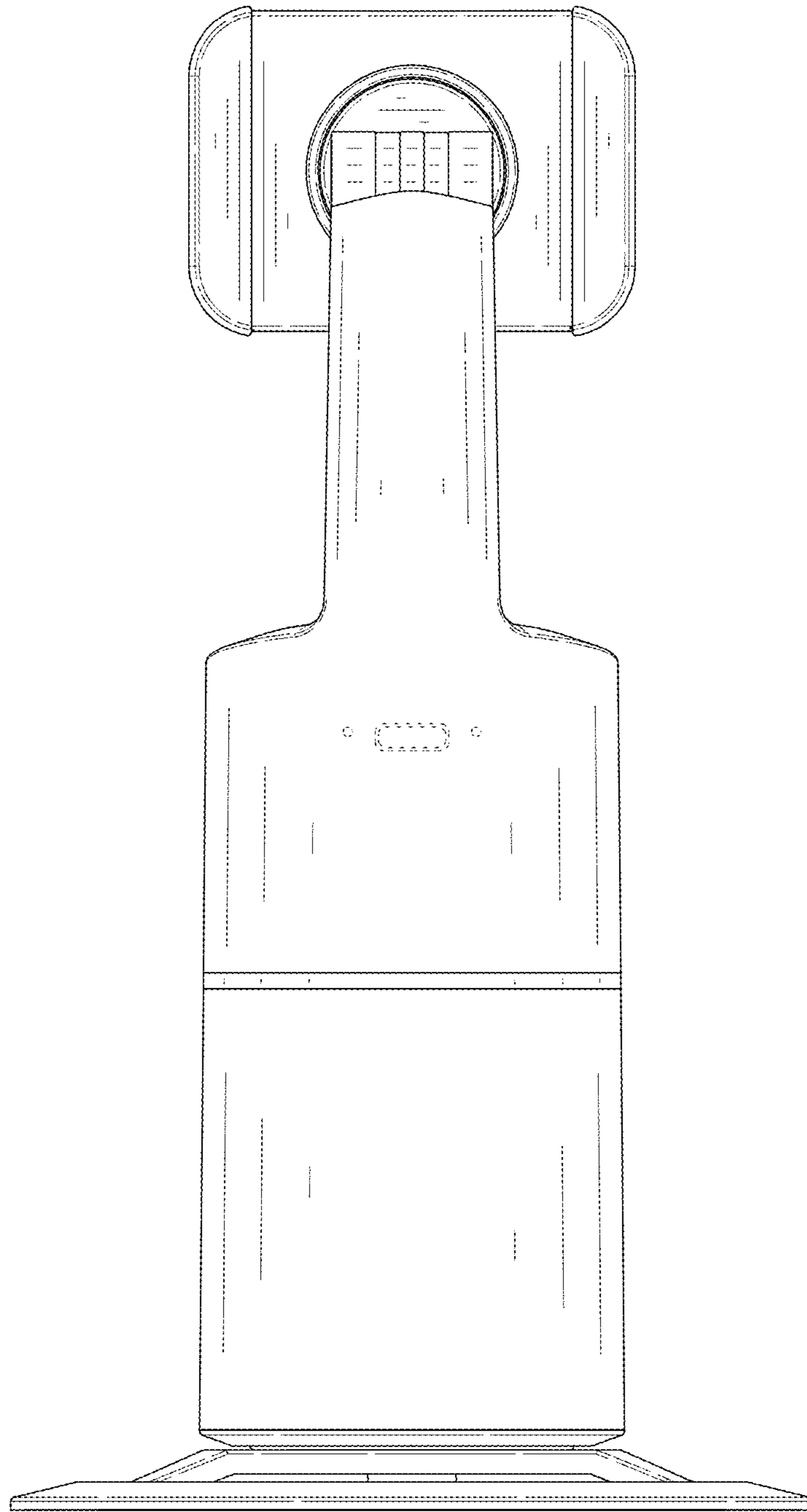


FIG. 3

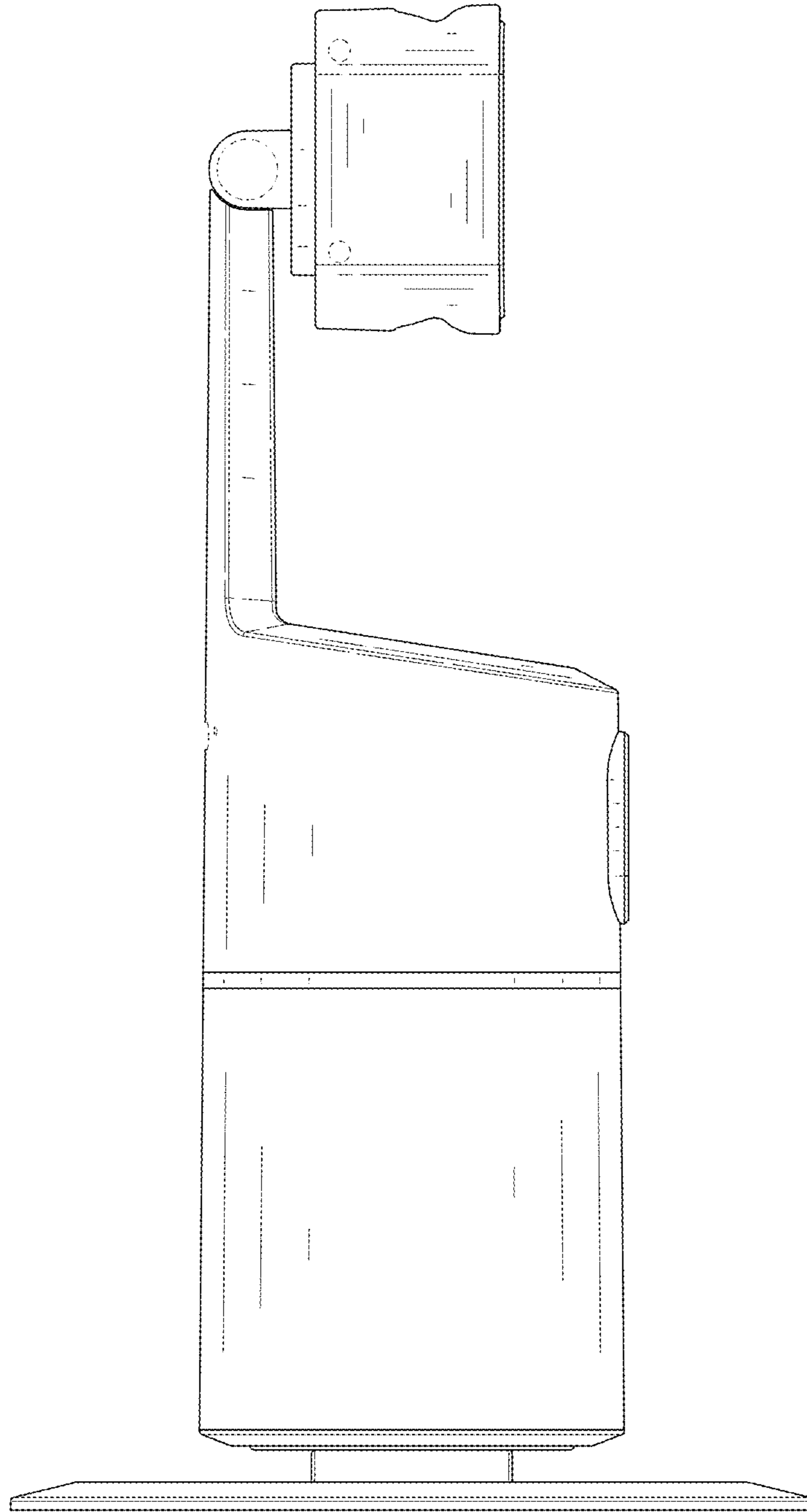


FIG. 4

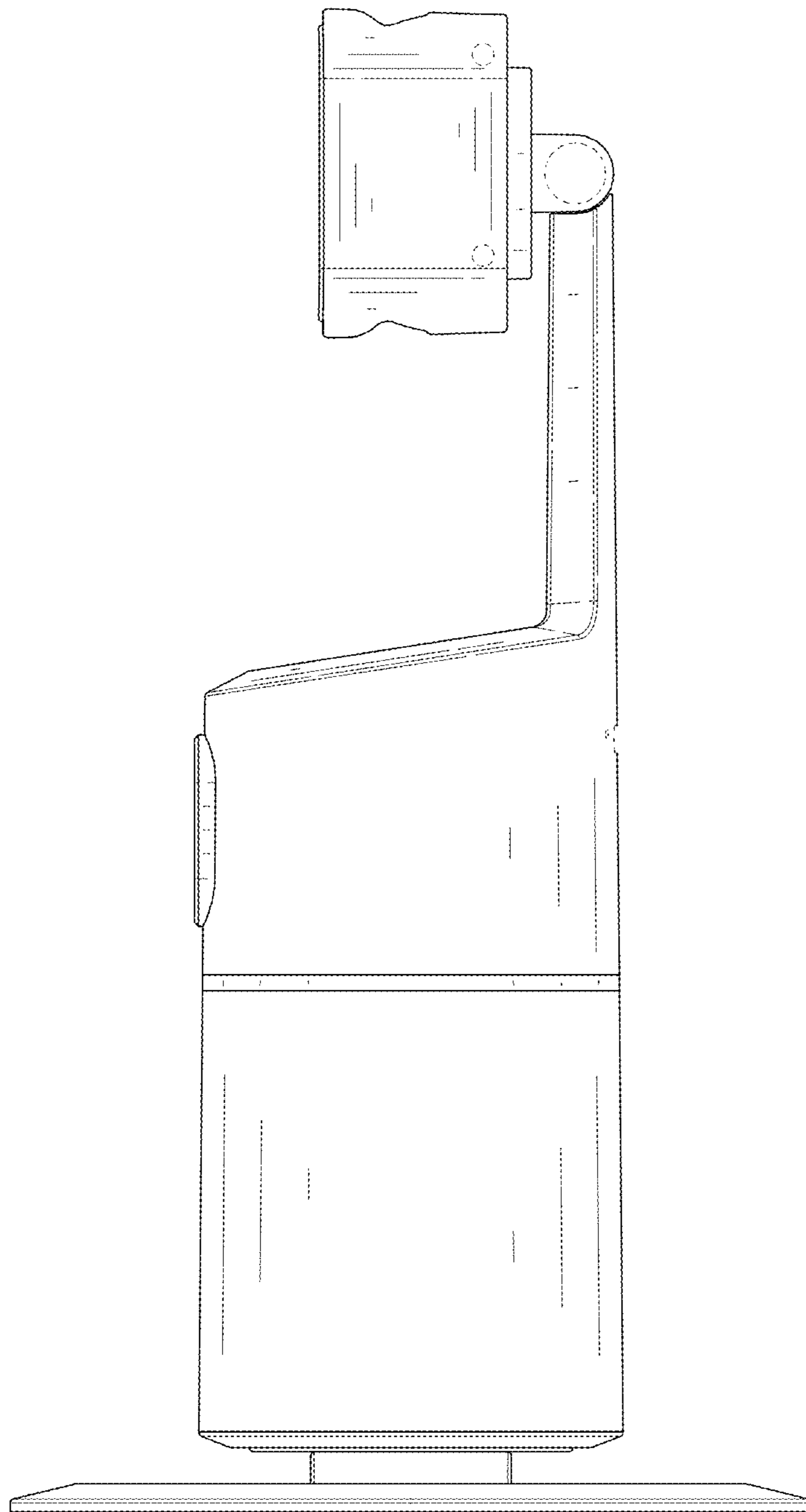


FIG. 5

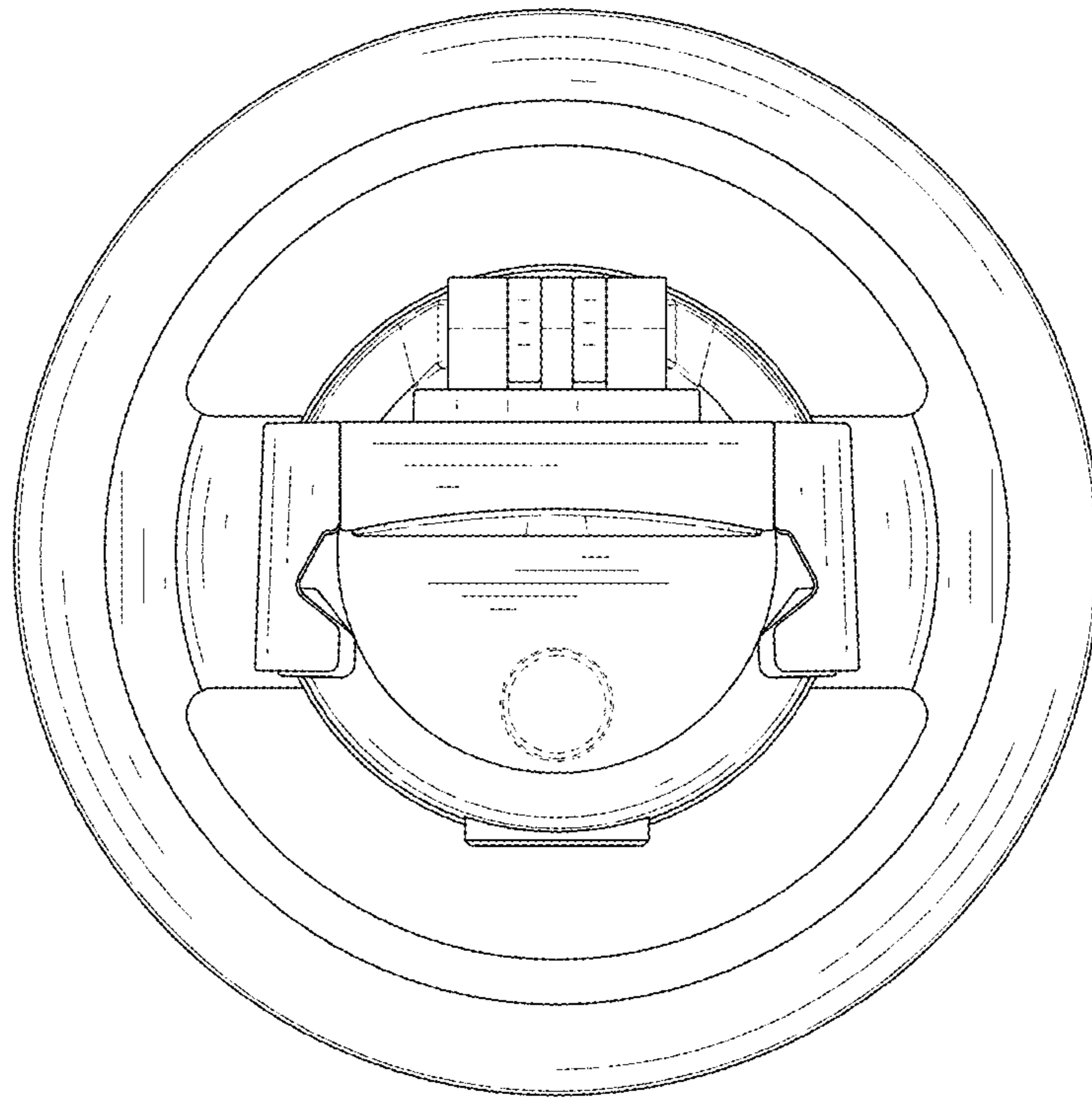


FIG. 6

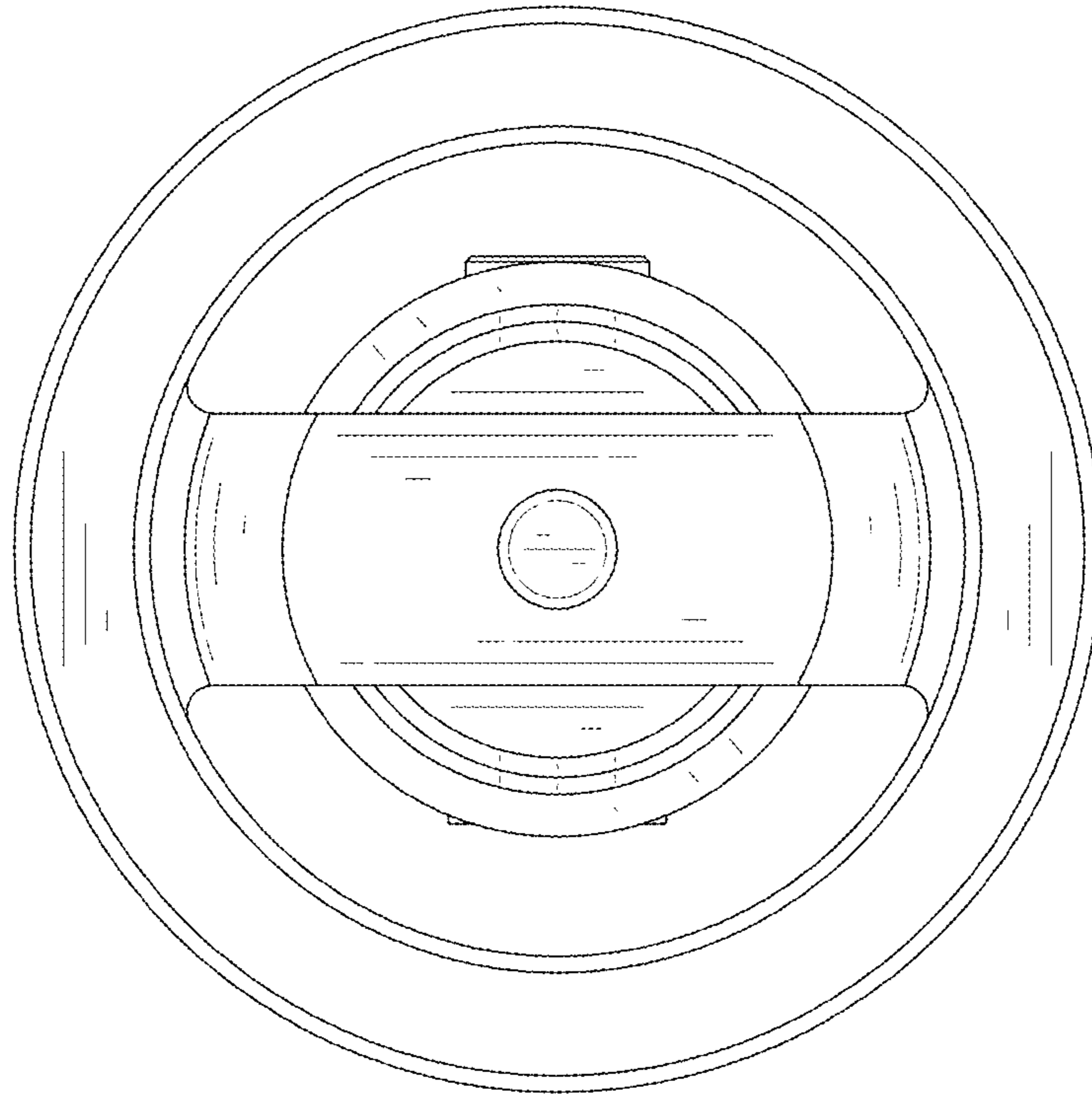


FIG. 7



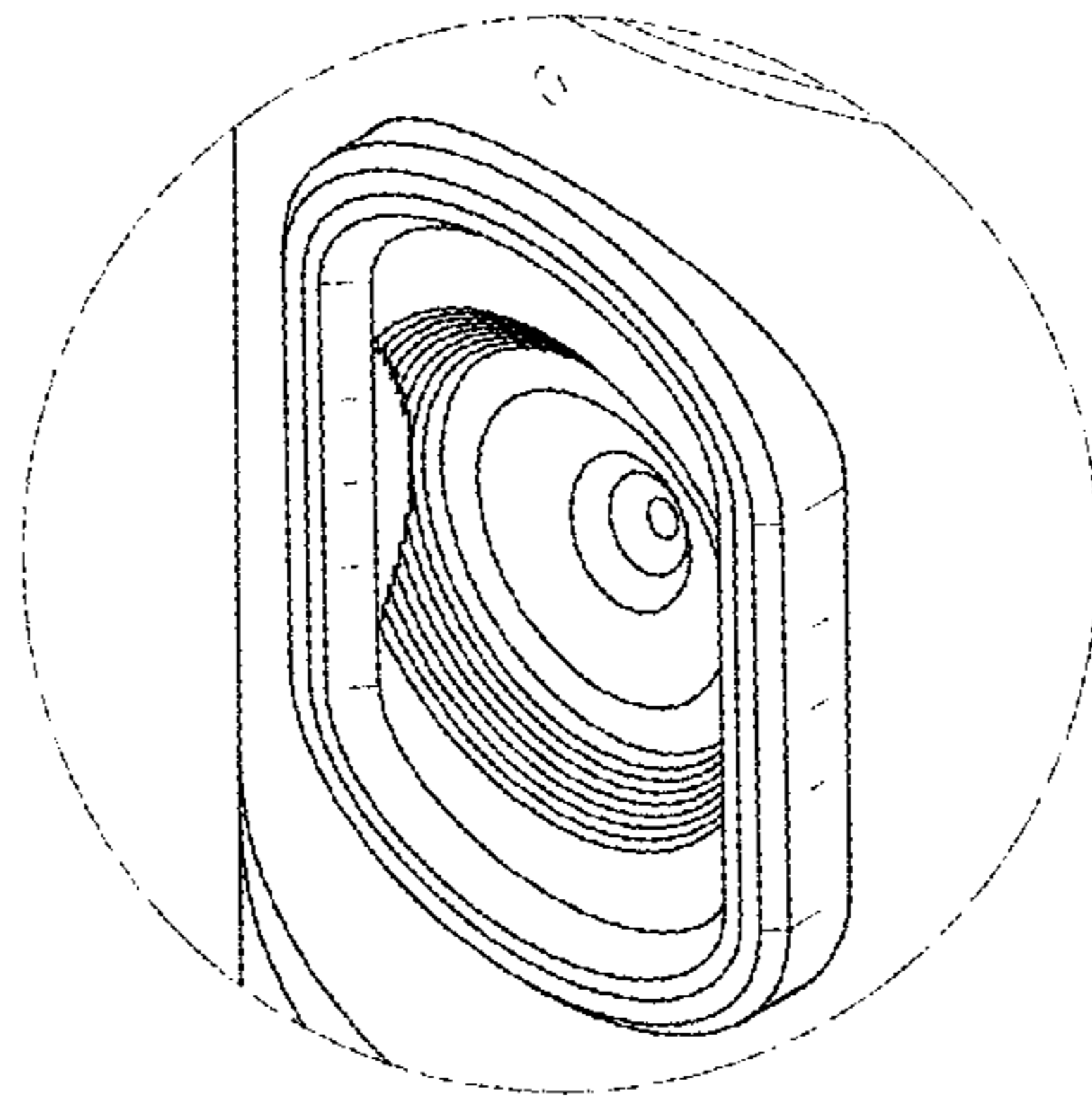


FIG. 8