



US00D953314S

(12) **United States Design Patent** (10) **Patent No.:** **US D953,314 S**  
**Remus** (45) **Date of Patent:** **\*\* May 31, 2022**

(54) **EXTENDABLE TOWER MOUNT** 7,398,959 B2 7/2008 Vandenberg et al.  
 7,584,932 B2\* 9/2009 Shih ..... E04G 17/14  
 248/354.3  
 (71) Applicant: **Jared G. Remus**, Downs, KS (US) 8,191,864 B2 6/2012 Ruan  
 8,840,087 B2 9/2014 Guyar et al.  
 (72) Inventor: **Jared G. Remus**, Downs, KS (US) 9,879,817 B2\* 1/2018 Remus ..... F16M 11/18  
 2005/0035253 A1\* 2/2005 Rixom ..... F16M 11/10  
 248/284.1  
 (\*\*) Term: **15 Years** 2013/0217544 A1\* 8/2013 Anaya ..... A63B 23/1218  
 482/40

(21) Appl. No.: **29/732,897**

(22) Filed: **Apr. 28, 2020**

(51) **LOC (13) Cl.** ..... **14-03**

(52) **U.S. Cl.**  
USPC ..... **D14/239**

(58) **Field of Classification Search**  
 USPC ..... D6/300, 353, 349, 352, 403, 455, 512,  
 D6/519, 556, 641, 642, 648, 650, 655,  
 D6/656, 675, 688, 691, 697, 708, 712;  
 D8/363, 373, 349, 355, 380, 394;  
 D14/451, 452, 129, 209, 317, 224, 237,  
 D14/238, 239, 251, 447; D26/9, 22  
 CPC ..... H04N 5/655; F16M 13/02; F16M 11/28;  
 F16B 7/14; F21V 21/22; F21W 2111/00  
 See application file for complete search history.

(56) **References Cited**

U.S. PATENT DOCUMENTS

2,541,793 A \* 2/1951 Thompson ..... E21D 15/24  
 248/354.3  
 2,594,605 A \* 4/1952 Zoppelt ..... A47H 1/022  
 211/123  
 3,116,919 A \* 1/1964 Alth ..... E04F 21/1888  
 269/21  
 5,286,003 A 2/1994 Chuang et al.  
 5,897,085 A \* 4/1999 Cronin ..... A61G 7/053  
 248/200.1  
 6,247,882 B1\* 6/2001 Huang ..... B60P 7/15  
 410/143  
 7,267,314 B1\* 9/2007 Erickson ..... F16M 11/10  
 108/144.11  
 7,290,742 B2\* 11/2007 Wang ..... A45B 7/005  
 135/16  
 D568,888 S \* 5/2008 Eyman ..... D14/451

\* cited by examiner

*Primary Examiner* — Khawaja Anwar  
*Assistant Examiner* — Megan Tiana Rakos  
 (74) *Attorney, Agent, or Firm* — Law Office of Mark  
 Brown, LLC; Christopher M. DeBacker

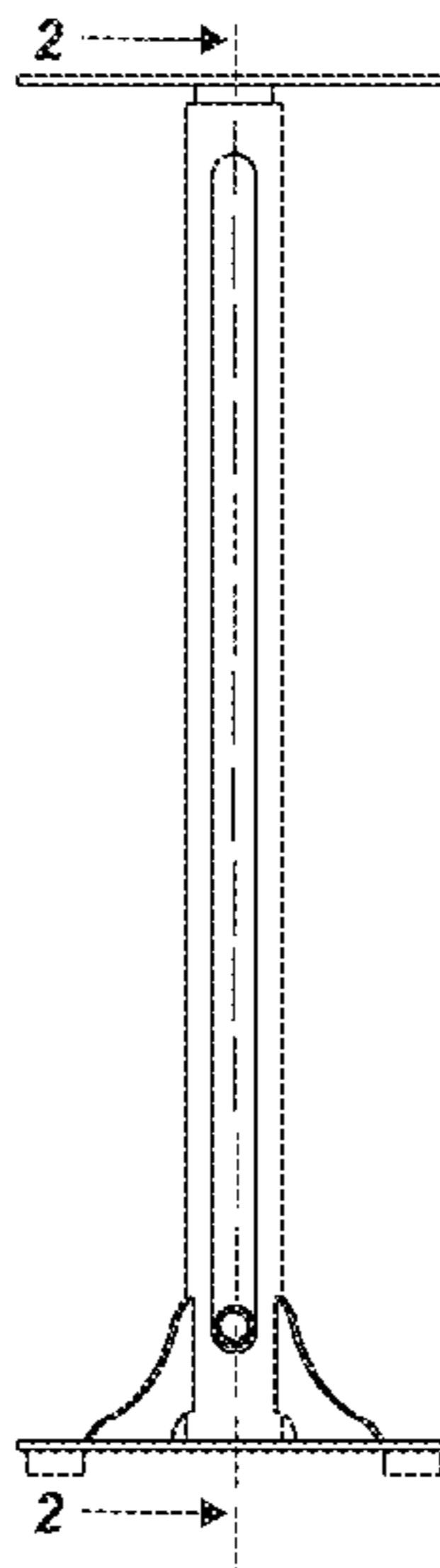
(57) **CLAIM**

The ornamental design for an extendable tower mount, as shown and described.

**DESCRIPTION**

FIG. 1 is a front elevational view of the extendable tower mount showing my new design.  
 FIG. 2 is a side sectional view thereof taken about the line of FIG. 1.  
 FIG. 3 is a detailed sectional view taken about the circle of FIG. 2.  
 FIG. 4 is a bottom plan view thereof.  
 FIG. 5 is a front elevational view thereof shown in an extended orientation.  
 FIG. 6 is a three-dimensional exploded isometric view thereof; and,  
 FIG. 7 is a detailed three-dimensional isometric view taken about the circle of FIG. 6.  
 The solid angular crosshatched lines shown in views of FIG. 2 and FIG. 3 are there representing parts of the cross section area and do not form any part of the claimed design.

**1 Claim, 7 Drawing Sheets**



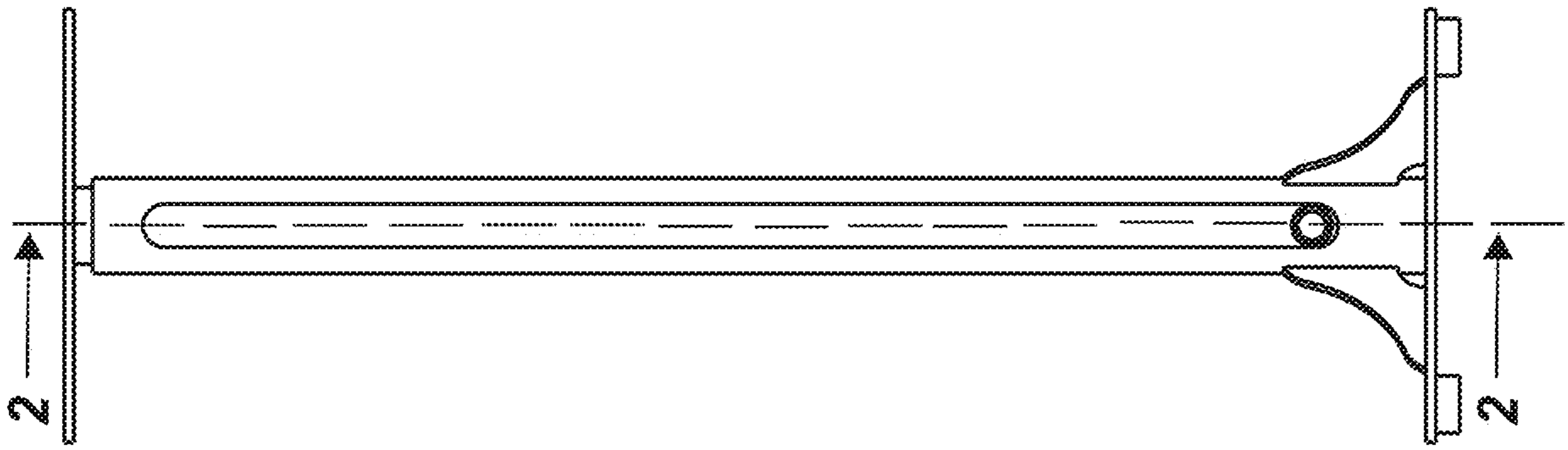
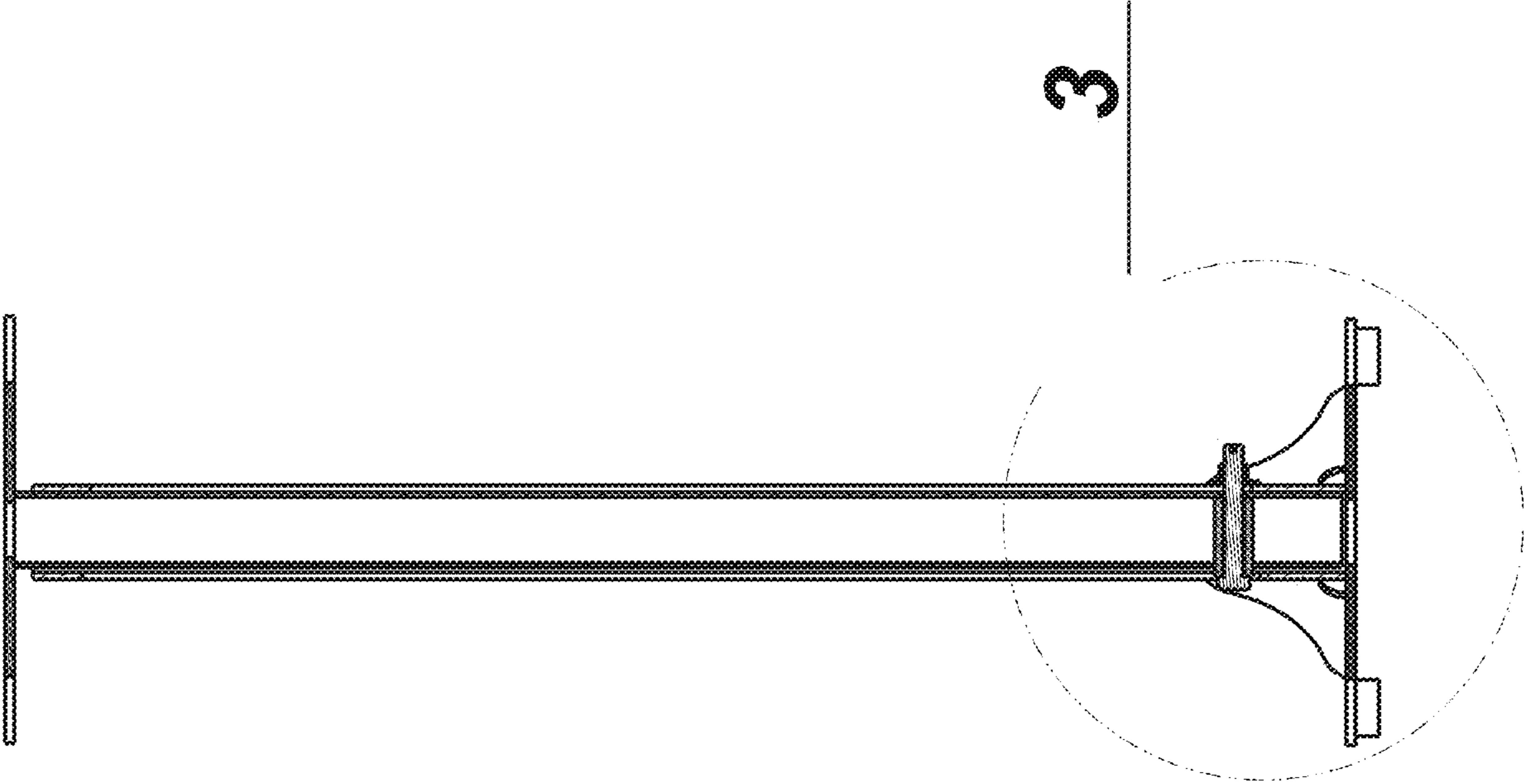
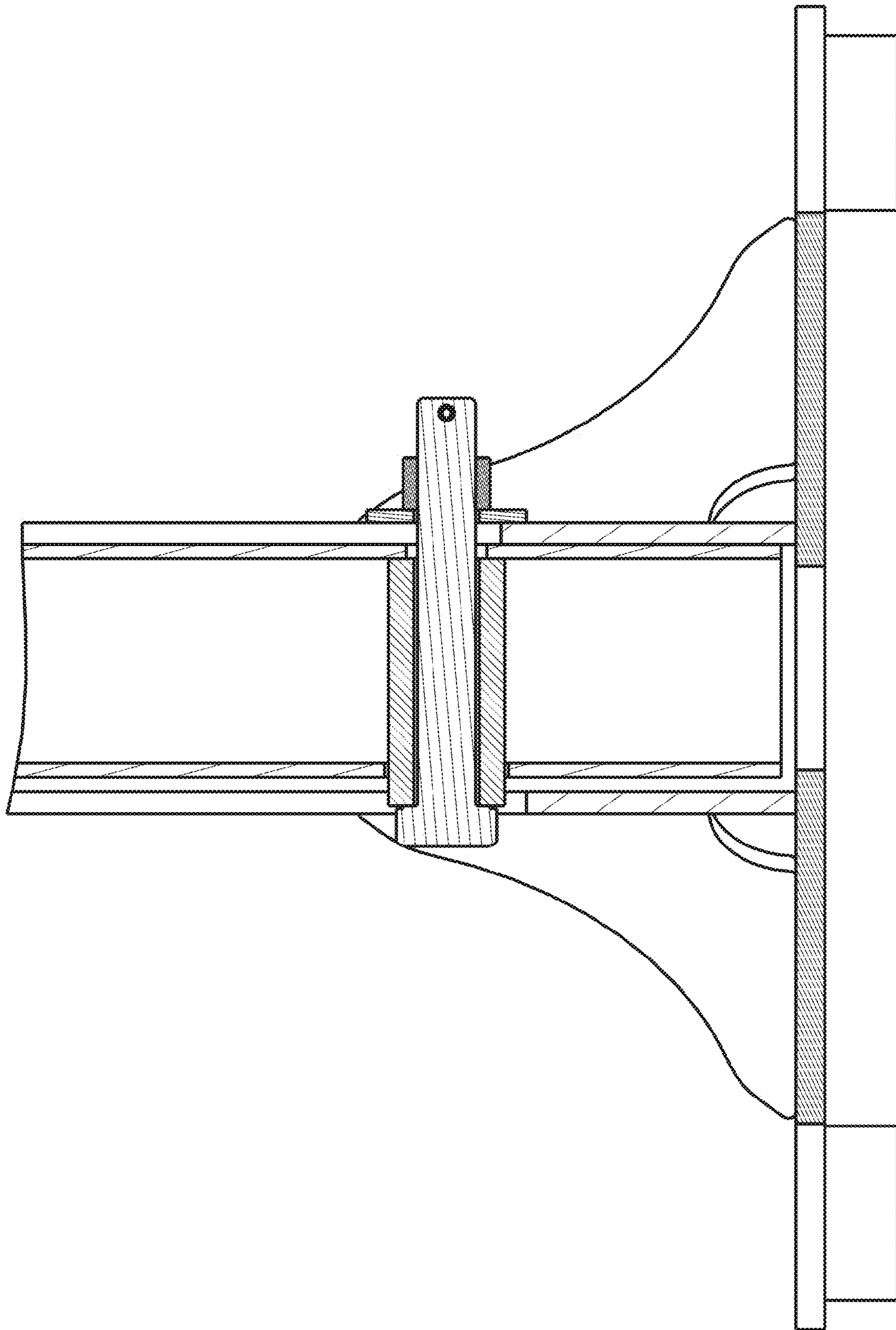


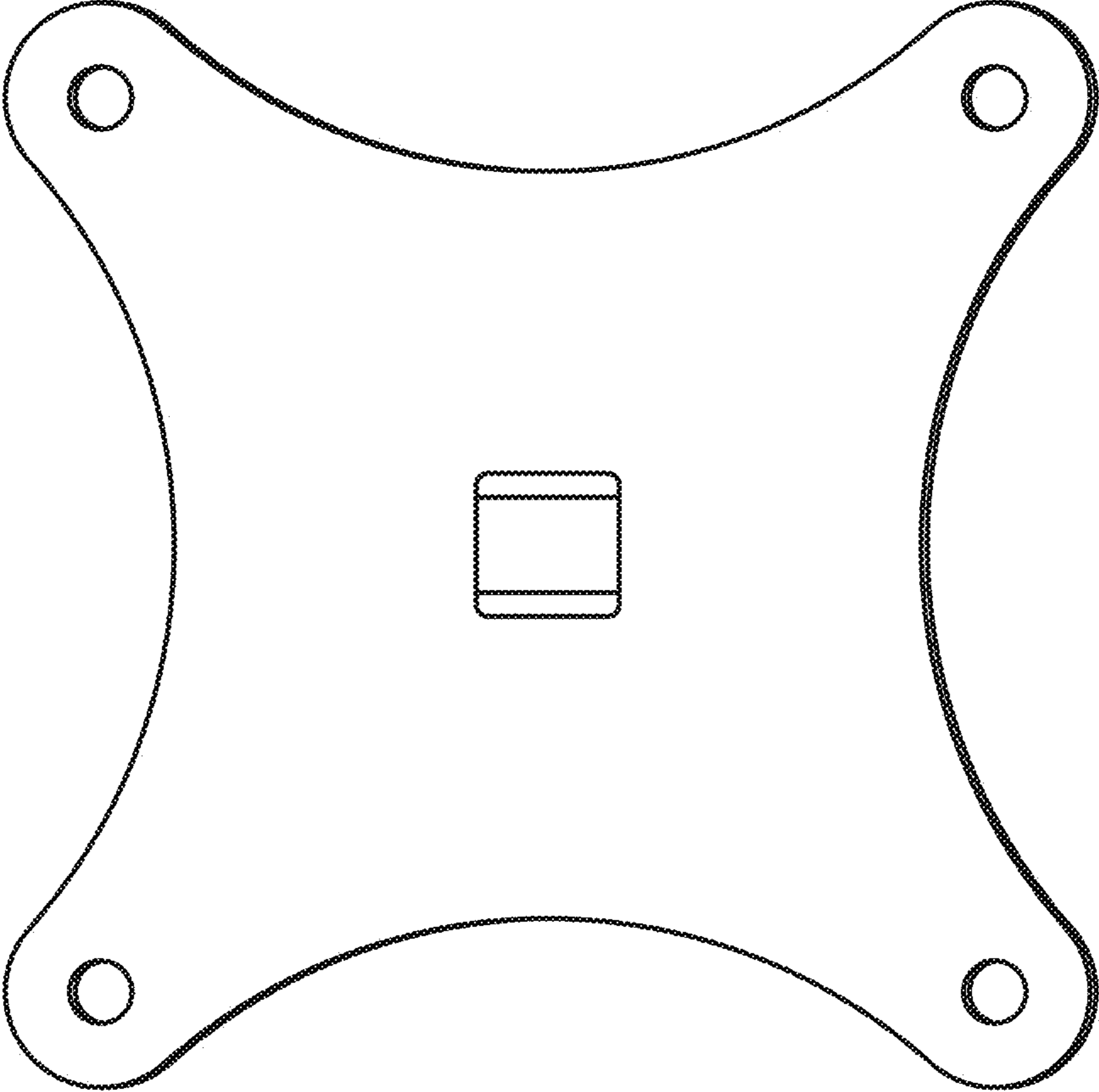
FIG. 1



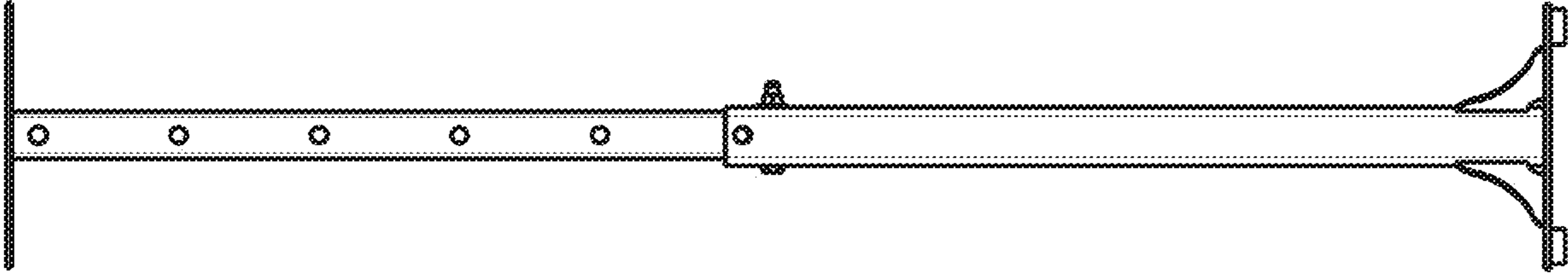
**FIG. 2**



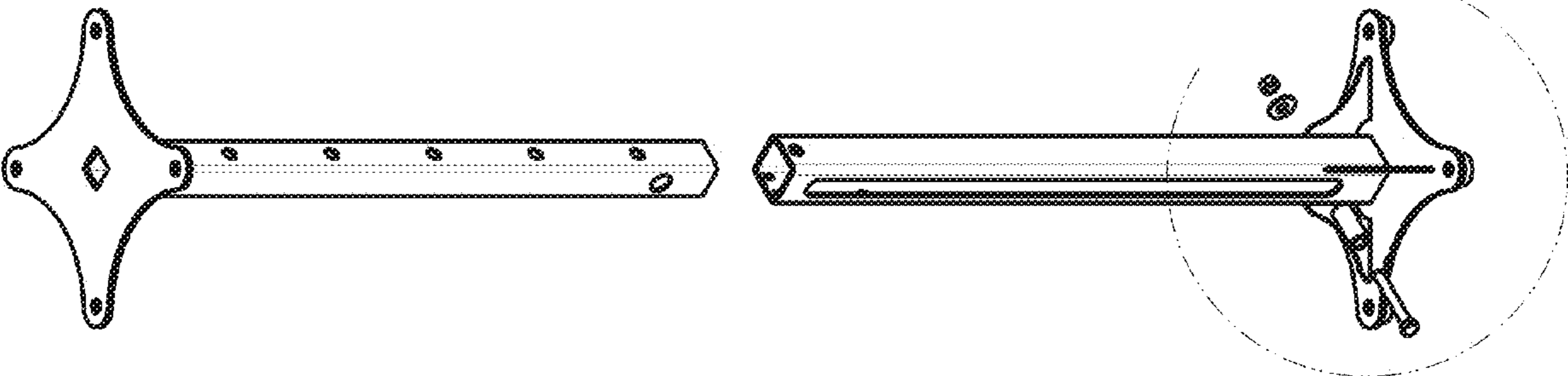
**FIG. 3**



**FIG. 4**



**FIG. 5**



7

FIG. 6



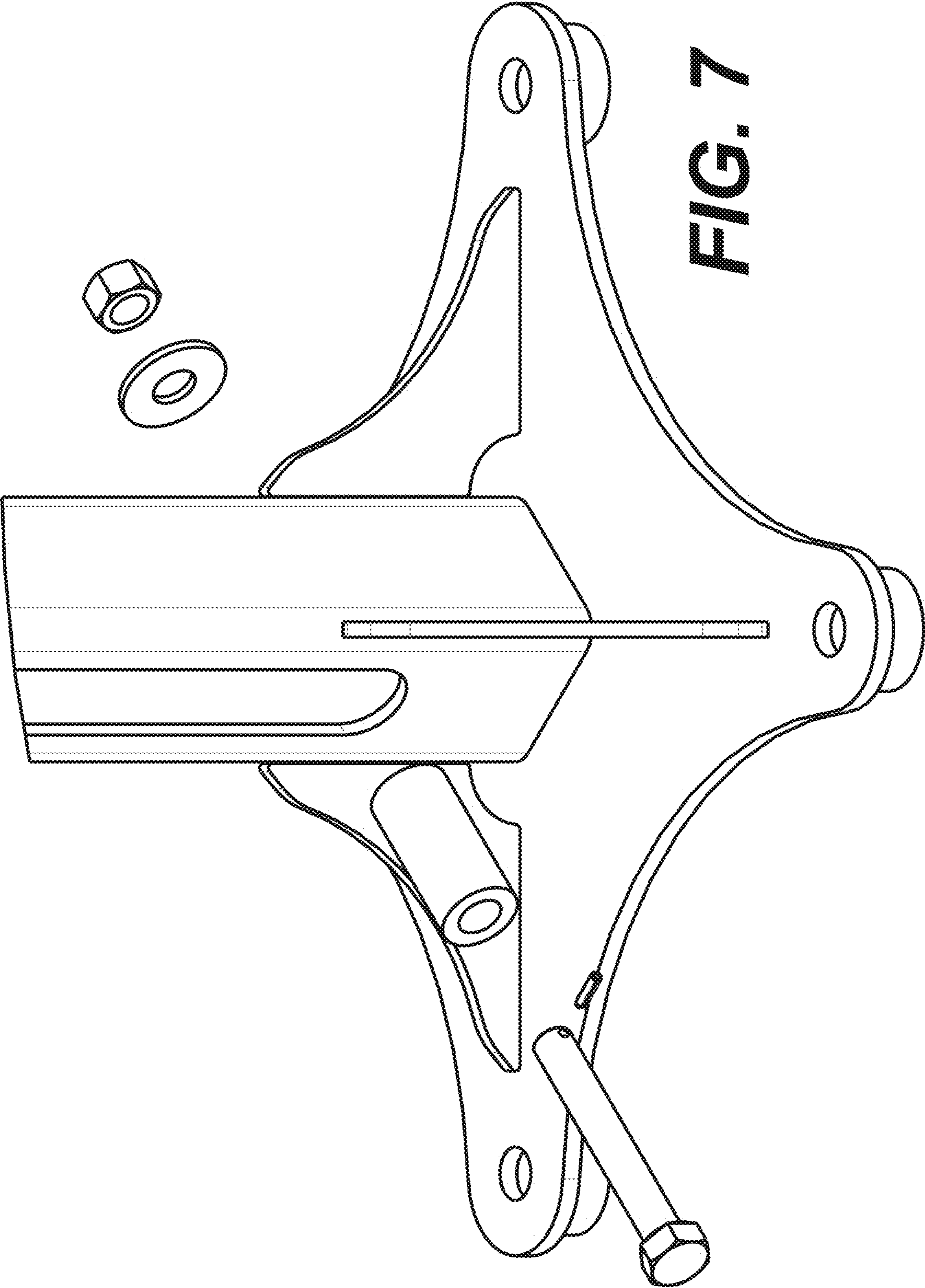


FIG. 7