



US00D953313S

(12) **United States Design Patent** (10) **Patent No.:** **US D953,313 S**
Pei (45) **Date of Patent:** **** May 31, 2022**

(54) **TV MOUNT**
(71) Applicant: **XINADDA (HONG KONG) LIMITED**, Hong Kong (CN)

(72) Inventor: **Xu Bo Pei**, Guangdong (CN)

(73) Assignee: **XINADDA (HONG KONG) LIMITED**, Hong Kong (CN)

(**) Term: **15 Years**

(21) Appl. No.: **29/711,598**

(22) Filed: **Oct. 31, 2019**

(51) **LOC (13) Cl.** **14-03**

(52) **U.S. Cl.**
USPC **D14/239**

(58) **Field of Classification Search**
USPC D14/239, 371-377, 447-452, 330, 341, D14/126, 127, 128; D8/363, 373, 349, D8/394, 355; D6/407, 474, 460, 461, D6/468
CPC G03B 1/00; A47B 43/00; F16M 11/105; F16M 11/10; F16M 11/048; F16M 11/12; F16M 13/022; F16M 11/2085; F16M 11/2092; F16M 11/2007; F16M 11/2014; F16M 11/2021

See application file for complete search history.

(56) **References Cited**

U.S. PATENT DOCUMENTS

D537,706 S *	3/2007	Ly Hau	D8/363
D560,674 S *	1/2008	Wohlford	D14/451
D562,113 S *	2/2008	Ciungan	D14/452
D694,739 S *	12/2013	Badillo	D14/239
D763,235 S *	8/2016	Brown	D14/239
D776,095 S *	1/2017	Brown	D14/239
D841,631 S *	2/2019	Pei	D14/239
D842,284 S *	3/2019	Pei	D14/239
D848,988 S *	5/2019	Pei	D14/239
D852,805 S *	7/2019	Lyu	D14/452

D877,746 S *	3/2020	Pei	D14/452
D878,382 S *	3/2020	Pei	D14/452
D912,027 S *	3/2021	Lyu	D14/239
D915,361 S *	4/2021	Pei	D14/239
D918,217 S *	5/2021	Lyu	D14/452

(Continued)

OTHER PUBLICATIONS

XD2615, xinadda.com [online], [site visited Oct. 8, 2020], Available from internet URL: <https://xinadda.com/product/xd2615/> (Year: 2020).*

(Continued)

Primary Examiner — Samantha Q Lawrence

Assistant Examiner — Holly M Rodriguez

(74) *Attorney, Agent, or Firm* — JCIP Global Inc.

(57) **CLAIM**

The ornamental design for a TV mount, as shown and described.

DESCRIPTION

FIG. 1 is a perspective view of a TV mount showing my new design;

FIG. 2 is a front view thereof;

FIG. 3 is a rear view thereof;

FIG. 4 is a left side view thereof;

FIG. 5 is a right side view thereof;

FIG. 6 is a top view thereof;

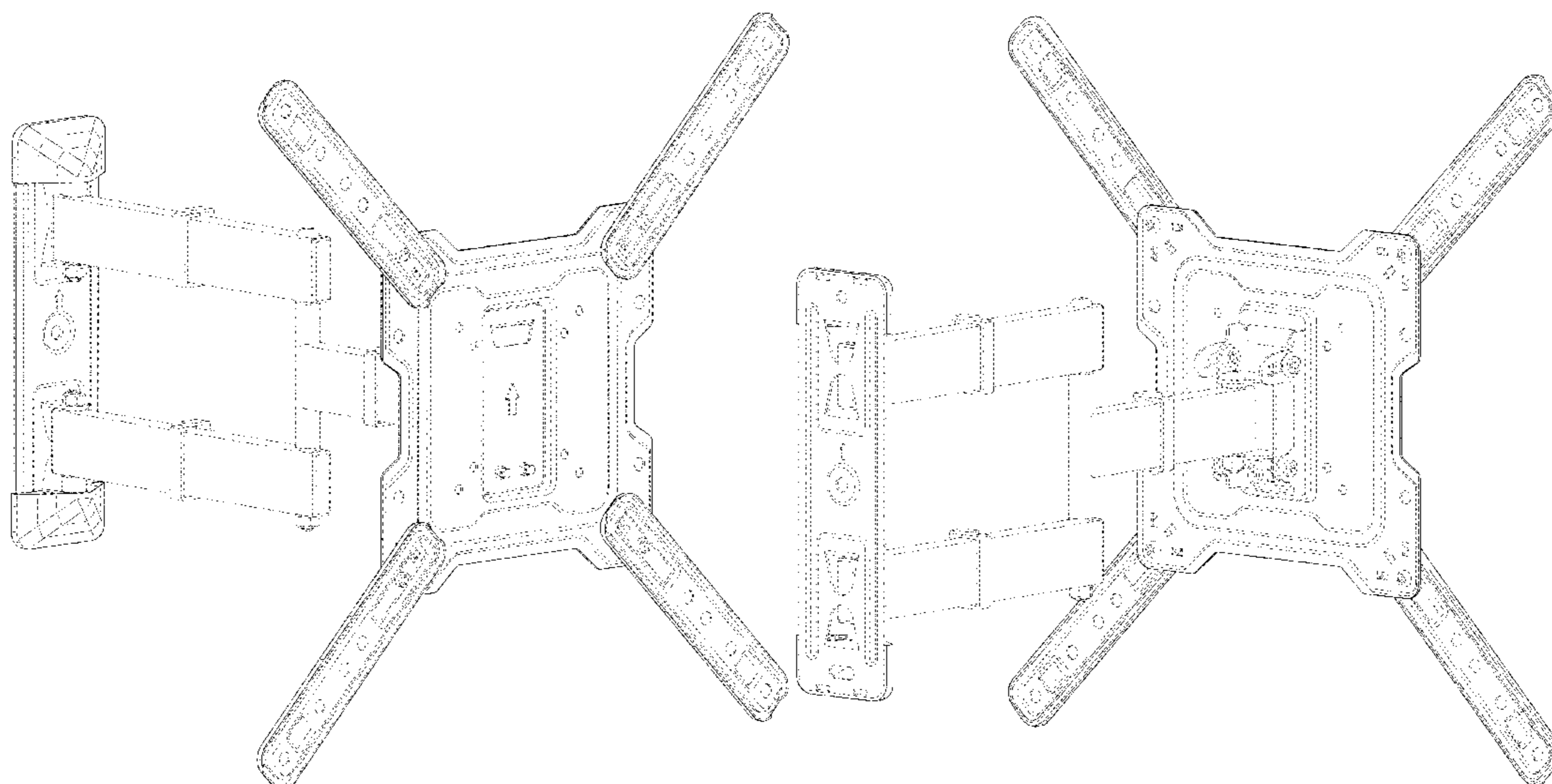
FIG. 7 is a bottom view thereof;

FIG. 8 is a front perspective view thereof, showing the TV mount in a use state; and,

FIG. 9 is a rear perspective view thereof, showing the TV mount in a use state.

The dash-dash broken lines shown in FIGS. 1-9 illustrate portions of the TV mount that form no part of the claimed design. The dot-dash broken lines shown in FIGS. 3 and 9 illustrate the bounds of the claim and forms no part of the claimed design.

1 Claim, 7 Drawing Sheets



(56)

References Cited

U.S. PATENT DOCUMENTS

D925,509 S * 7/2021 Jin D14/239
D930,006 S * 9/2021 Pei D14/452
2019/0191879 A1* 6/2019 Pei F16M 11/105

OTHER PUBLICATIONS

Onn. Full Motion TV Wall Mount for TVs 32" to 47", first available Feb. 3, 2020, awalmart.com, [online], [site visited Oct. 7, 2021], Available from internet URL: <https://www.walmart.com/ip/onn-Full-Motion-TV-Wall-Mount-for-TVs-32-to-47/593012224> (Year: 2020).*

* cited by examiner

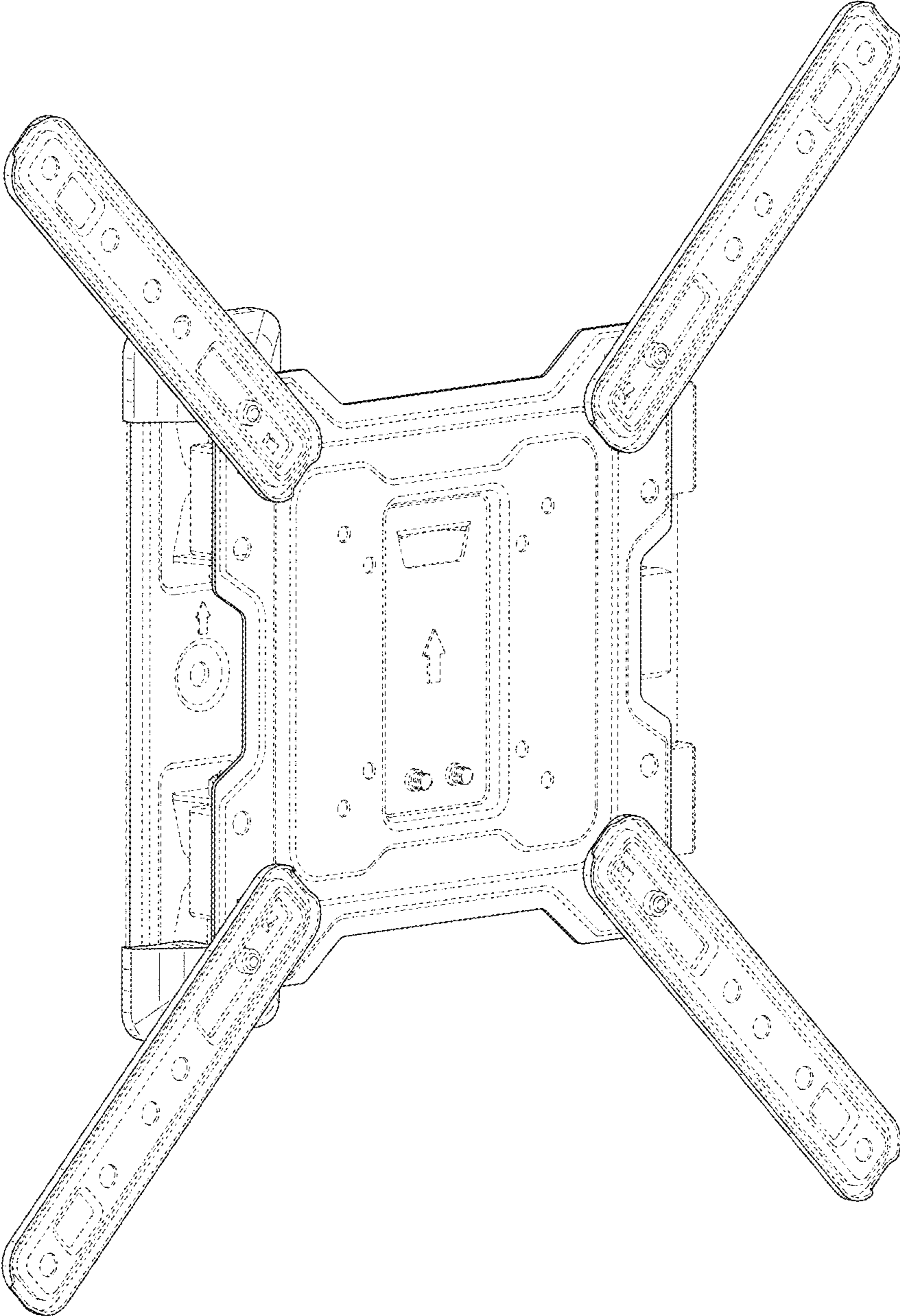


FIG. 1

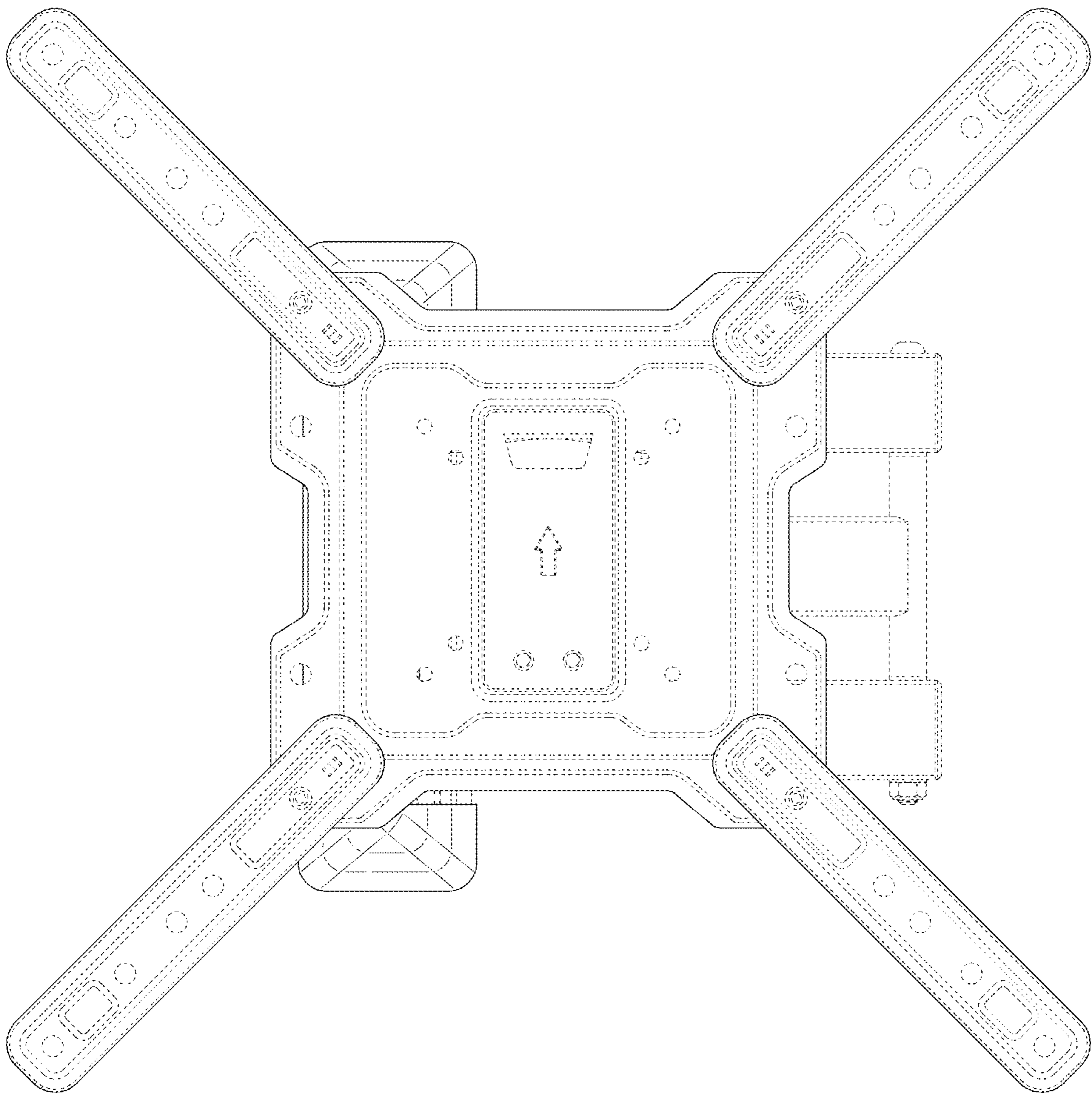


FIG. 2

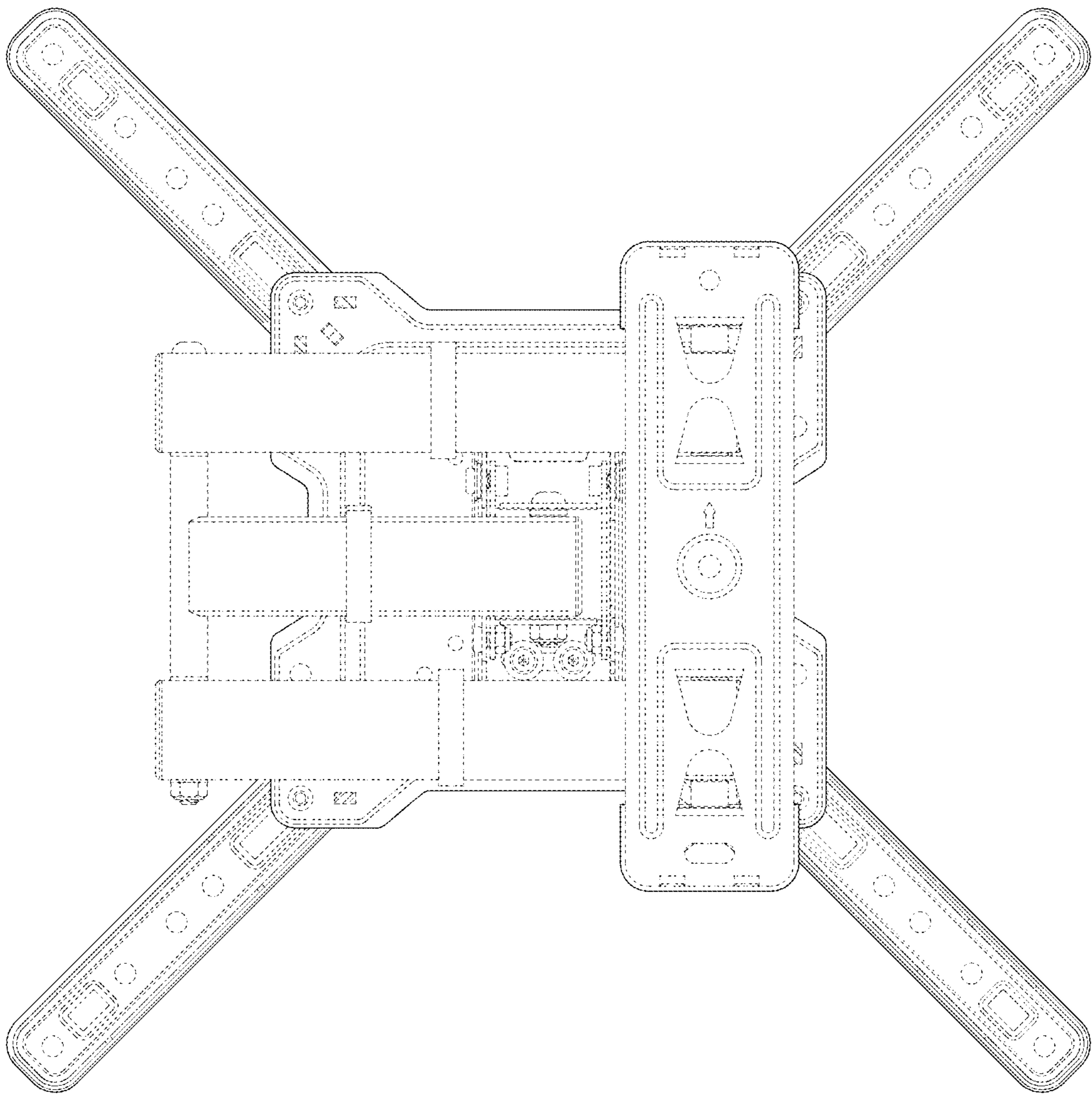


FIG. 3

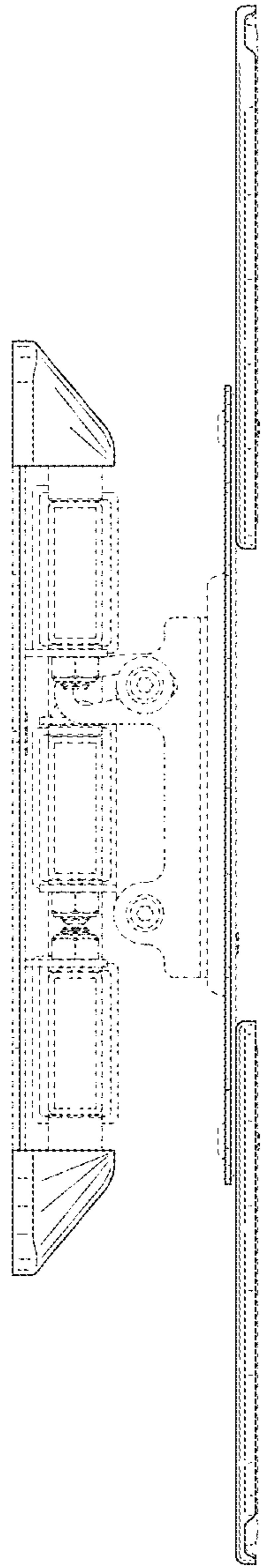


FIG. 4

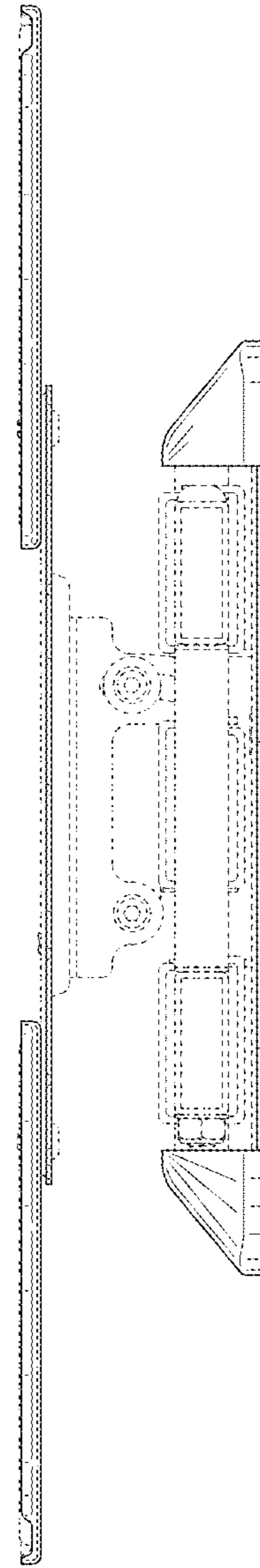


FIG. 5

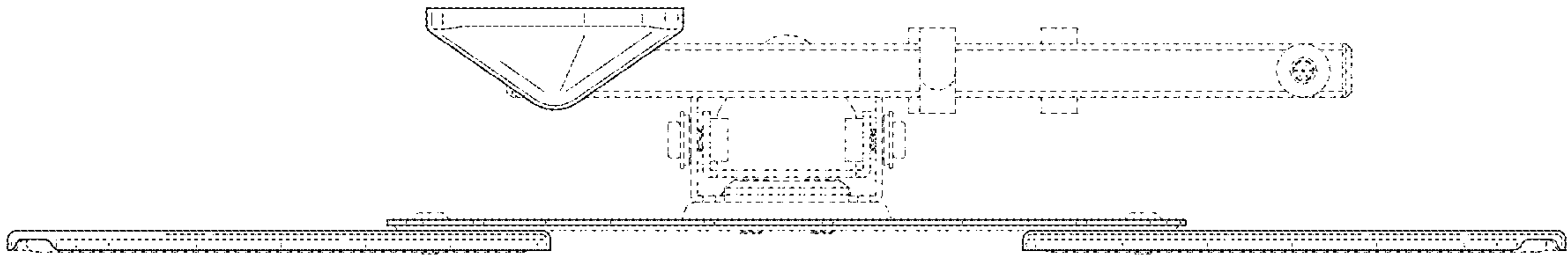


FIG. 6

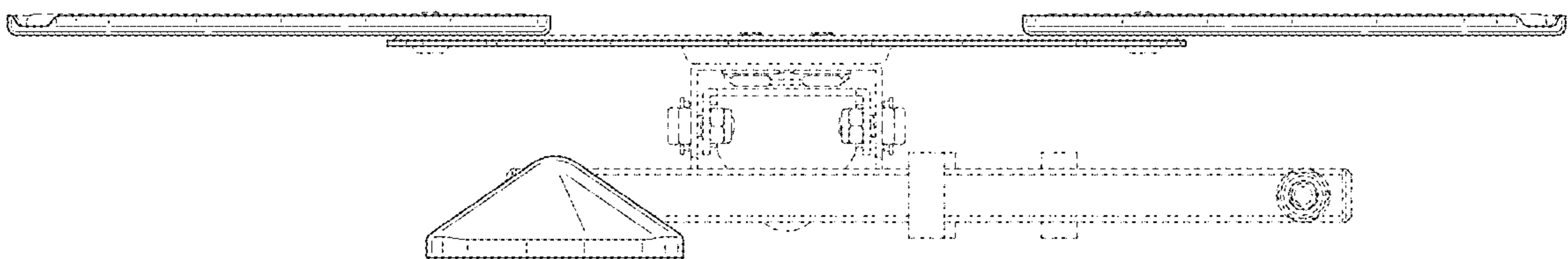


FIG. 7

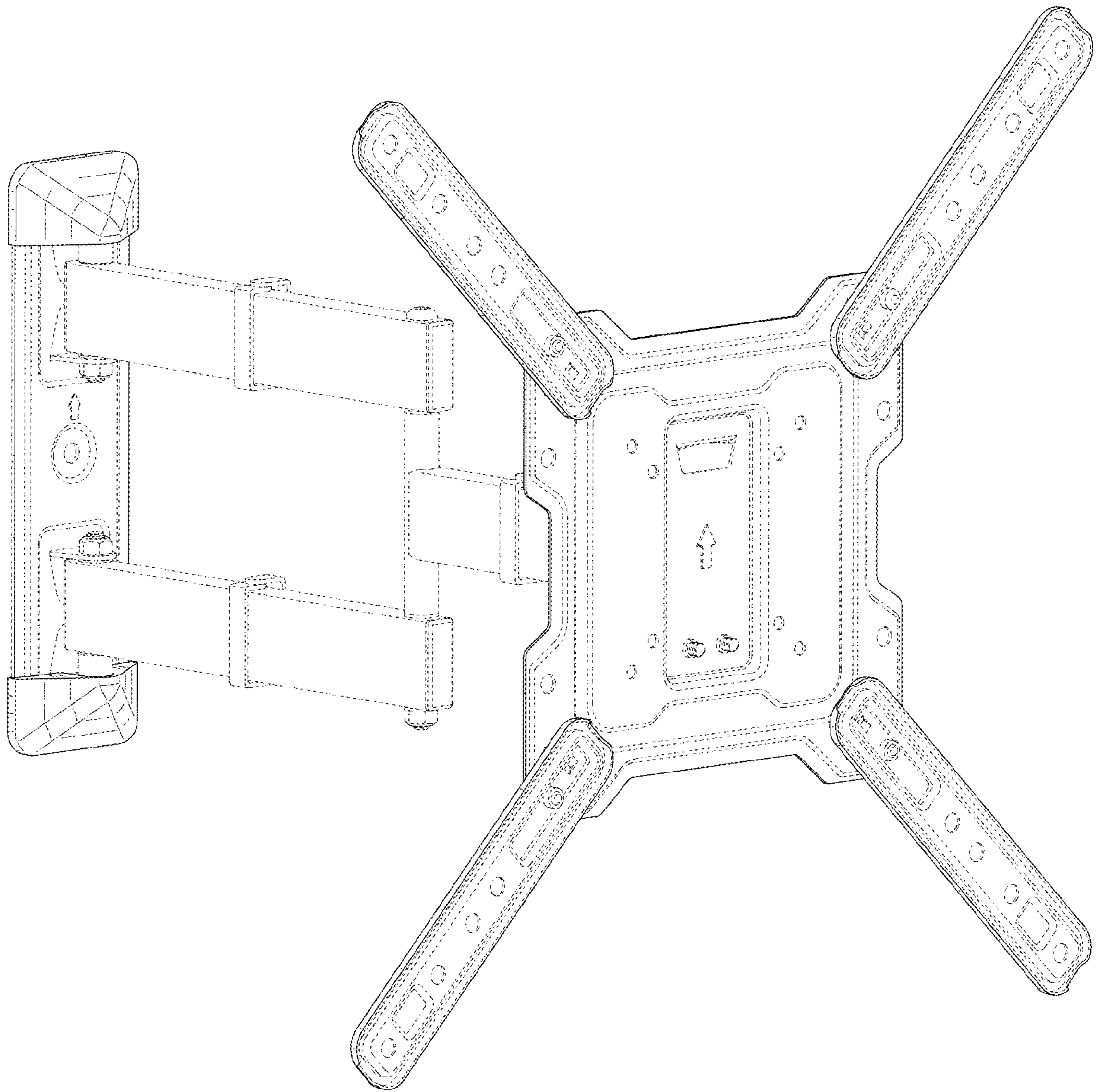


FIG. 8

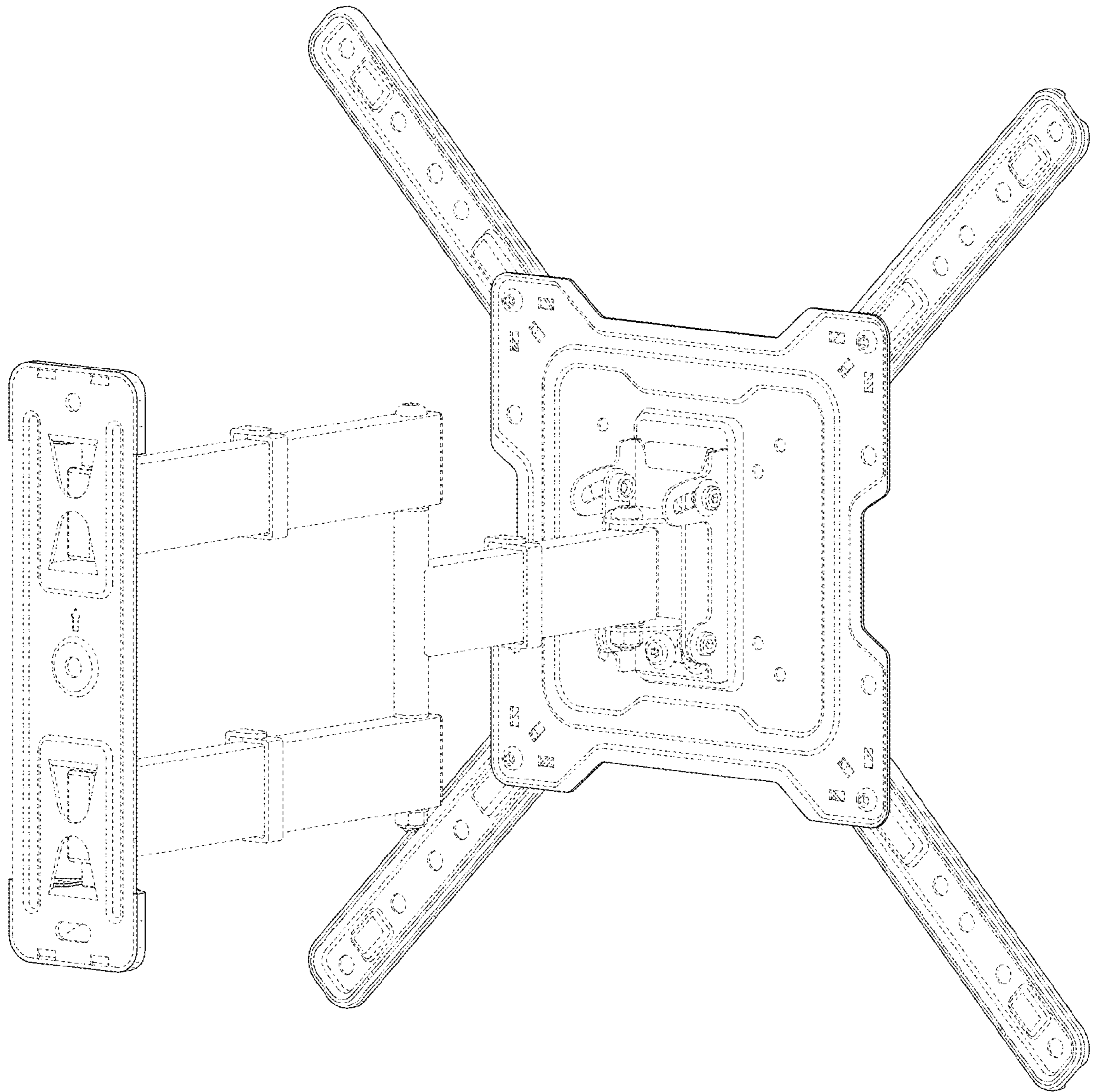


FIG. 9