



US00D953311S

(12) **United States Design Patent** (10) **Patent No.:** **US D953,311 S**  
**Yang** (45) **Date of Patent:** **\*\* May 31, 2022**

(54) **ANTENNA**

FOREIGN PATENT DOCUMENTS

(71) Applicant: **SHENZHEN ANTOP TECHNOLOGY CO., LTD**, Shenzhen (CN)

CN 305912908 \* 7/2020  
CN 30617132 \* 12/2020

(Continued)

(72) Inventor: **Ruidian Yang**, Shenzhen (CN)

OTHER PUBLICATIONS

(73) Assignee: **SHENZHEN ANTOP TECHNOLOGY CO., LTD**, Shenzhen (CN)

Denpetec, GF-07 Mini GPS Tracker . . . , available at amazon.com, oldest review Feb. 3, 2022, site visited Mar. 22, 2022, Available at URL: : [https://www.amazon.com/dp/B095PBFJRB/ref=cm\\_sw\\_em\\_r\\_mt\\_dp\\_V17GMD4EVEPT2KKPEA54?\\_encoding=UTF8&psc=1](https://www.amazon.com/dp/B095PBFJRB/ref=cm_sw_em_r_mt_dp_V17GMD4EVEPT2KKPEA54?_encoding=UTF8&psc=1) (Year: 2022).\*

(\*\*) Term: **15 Years**

(Continued)

(21) Appl. No.: **29/741,760**

(22) Filed: **Jul. 15, 2020**

*Primary Examiner* — Daniel J Domino

*Assistant Examiner* — Samina Vieth

(30) **Foreign Application Priority Data**

(74) *Attorney, Agent, or Firm* — Avek IP, LLC; Kent R. Erickson

Jun. 15, 2020 (CN) ..... 202030306350.7

(51) **LOC (13) Cl.** ..... **14-03**

(52) **U.S. Cl.**  
USPC ..... **D14/230**

(58) **Field of Classification Search**  
USPC ..... D14/230–238, 358, 198, 191; D32/55; D8/377, 32; D25/41.1, 43  
CPC ..... H01Q 7/00; H01Q 13/10; H01Q 19/30; H01Q 19/12; H01Q 1/38  
See application file for complete search history.

(57) **CLAIM**

The ornamental design for an antenna, as shown and described.

(56) **References Cited**

**DESCRIPTION**

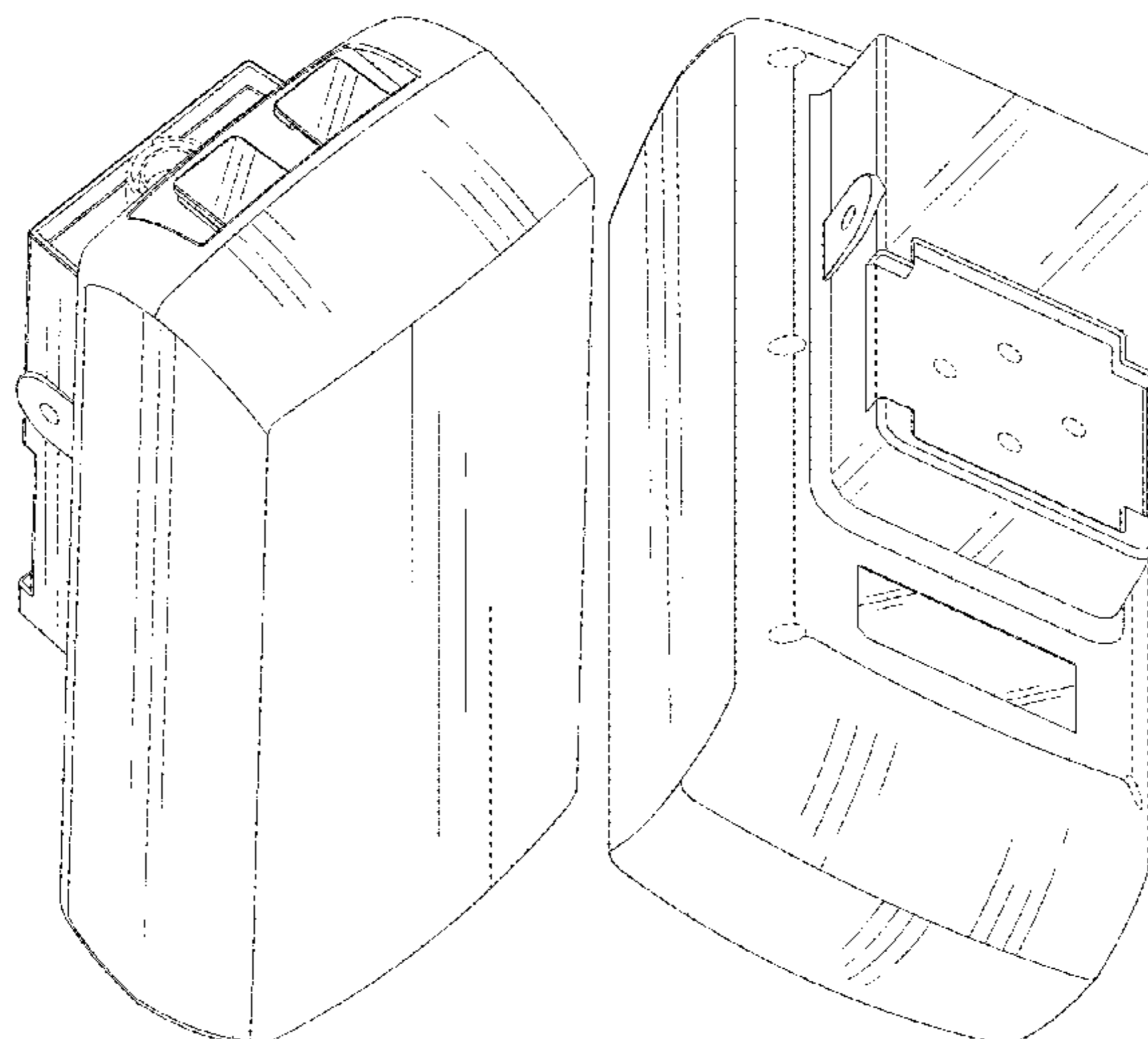
U.S. PATENT DOCUMENTS

D307,673 S \* 5/1990 Brown ..... D3/218  
D311,910 S \* 11/1990 Pedinielli ..... D14/242  
D311,911 S \* 11/1990 Ueno ..... D14/242  
D312,797 S \* 12/1990 Lomas ..... D10/118  
D342,249 S \* 12/1993 Beaumont ..... D13/184  
D348,463 S \* 7/1994 Scheid ..... D14/191  
D362,438 S \* 9/1995 Scheid ..... D14/191  
D368,429 S \* 4/1996 Serio, Jr. .... D13/184  
D369,166 S \* 4/1996 Jones ..... D14/191  
D387,762 S \* 12/1997 Mandel ..... D14/191

FIG. 1 is a front perspective view of an antenna showing my design;  
FIG. 2 is a rear perspective view thereof;  
FIG. 3 is a front elevation view thereof;  
FIG. 4 is a rear elevation view thereof;  
FIG. 5 is a right-side elevation view thereof;  
FIG. 6 is a left-side elevation view thereof;  
FIG. 7 is a top plan view thereof; and,  
FIG. 8 is a bottom plan view thereof;  
The broken lines shown in the drawings are for the purpose of illustrating portions of the antenna that form no part of the claimed design.

(Continued)

**1 Claim, 8 Drawing Sheets**



(56)

References Cited

U.S. PATENT DOCUMENTS

D435,251 S \* 12/2000 Overton ..... D14/230  
D439,243 S \* 3/2001 Miyazaki ..... D14/137  
D481,379 S \* 10/2003 Nagai ..... D14/240  
D521,447 S \* 5/2006 Ono ..... D13/103  
D531,625 S \* 11/2006 Hori ..... D14/230  
D540,314 S \* 4/2007 Allen ..... D14/230  
D550,216 S \* 9/2007 Allen ..... D14/230  
D575,775 S \* 8/2008 Sekine ..... D14/242  
D674,785 S \* 1/2013 Kyriakides, II ..... D14/240  
D693,798 S \* 11/2013 Chuang ..... D14/240  
D724,535 S \* 3/2015 Wang ..... D13/110  
D726,144 S \* 4/2015 Kang ..... D14/204  
D732,010 S \* 6/2015 Hsiau ..... D14/240  
D786,839 S \* 5/2017 Zheng ..... D14/230  
D787,510 S \* 5/2017 Kitade ..... D14/341  
D811,378 S \* 2/2018 Jeon ..... D14/242  
D852,158 S \* 6/2019 Tani ..... D14/147  
D866,558 S \* 11/2019 Shim ..... D14/435

D898,033 S \* 10/2020 Akagi ..... D14/432  
D901,471 S \* 11/2020 Siminoff ..... D14/240  
D902,189 S \* 11/2020 Yang ..... D14/230

FOREIGN PATENT DOCUMENTS

CN 306687007 \* 7/2021  
CN 306950271 \* 11/2021

OTHER PUBLICATIONS

Discover It Store, GPS Tracker for Vehicle . . . , available at amazon.com, date first available Jun. 30, 2021, site visited Mar. 22, 2022, Available at URL: [https://www.amazon.com/dp/B0989FW14X/ref=cm\\_sw\\_em\\_r\\_mt\\_dp\\_WM2CQCFRYTRS13MQXMZH](https://www.amazon.com/dp/B0989FW14X/ref=cm_sw_em_r_mt_dp_WM2CQCFRYTRS13MQXMZH) (Year: 2021 ).\*  
RFMax, RBSM-G44-17 . . . , available at arcantenna.com, date available Dec. 2017, site visited Mar. 22, 2022, Available at URL: <https://bit.ly/36kOb3I> (Year: 2017).\*

\* cited by examiner

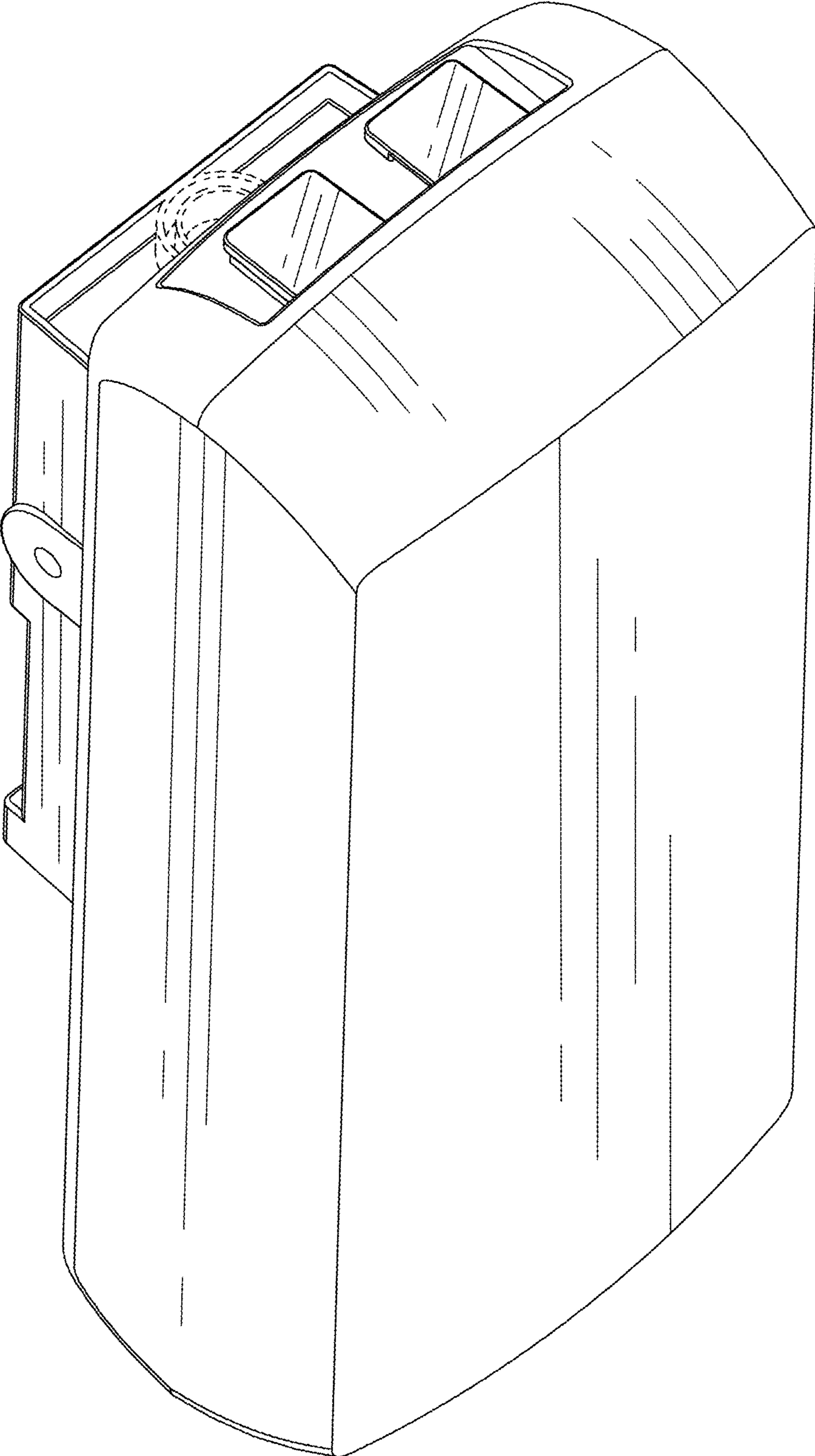


FIG. 1

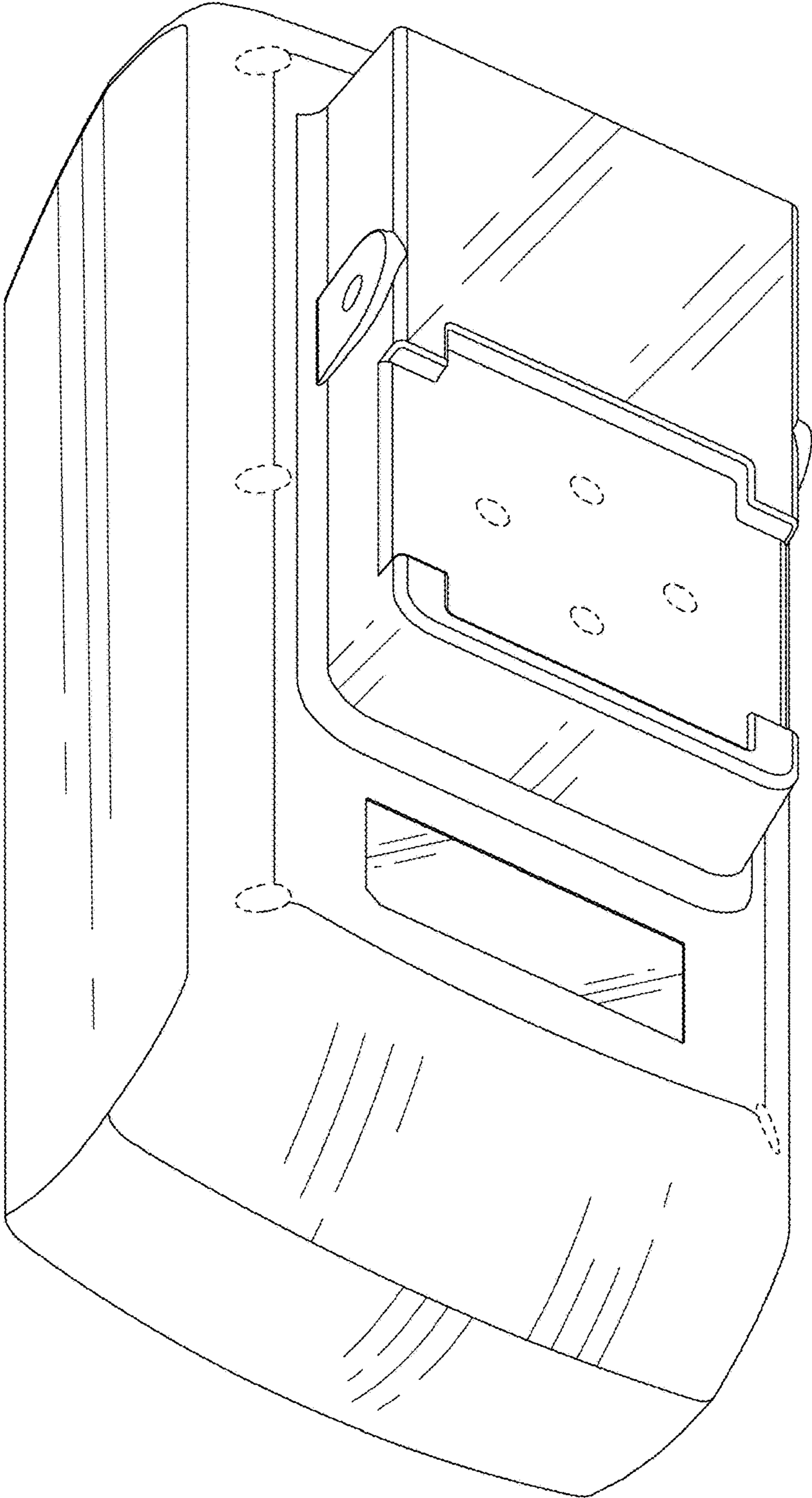


FIG. 2

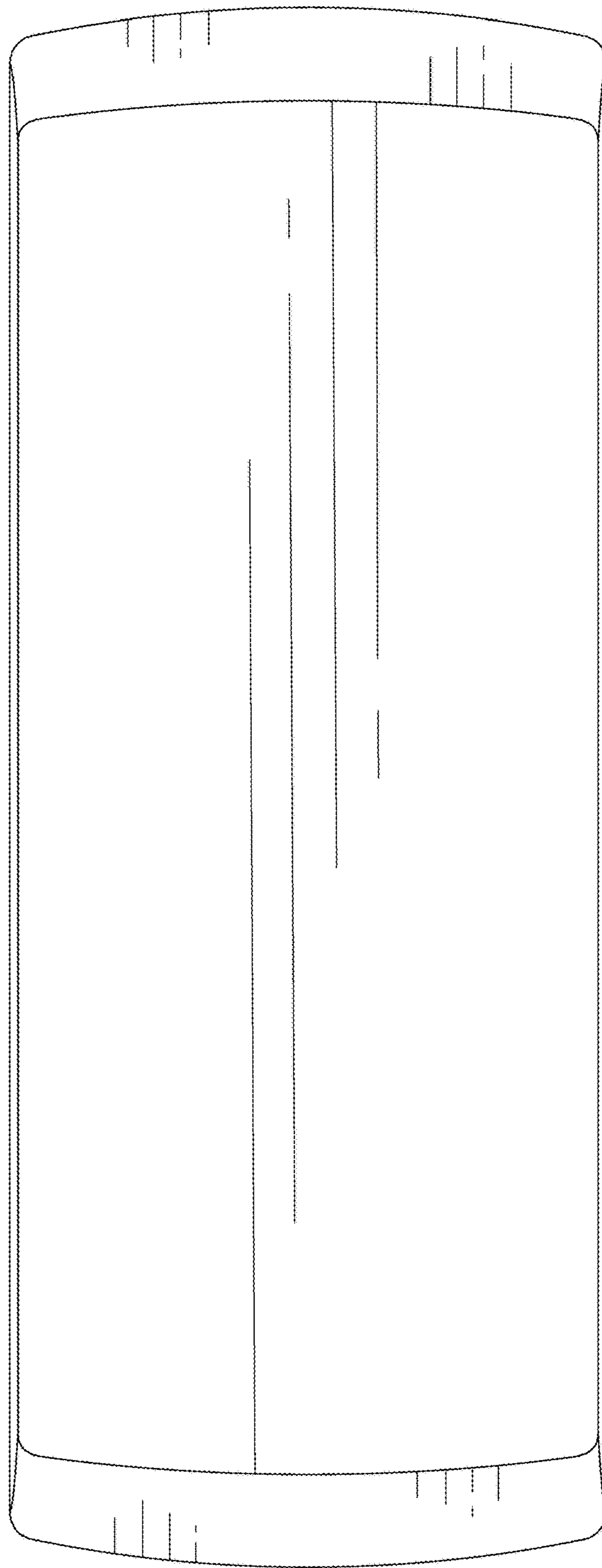


FIG.3

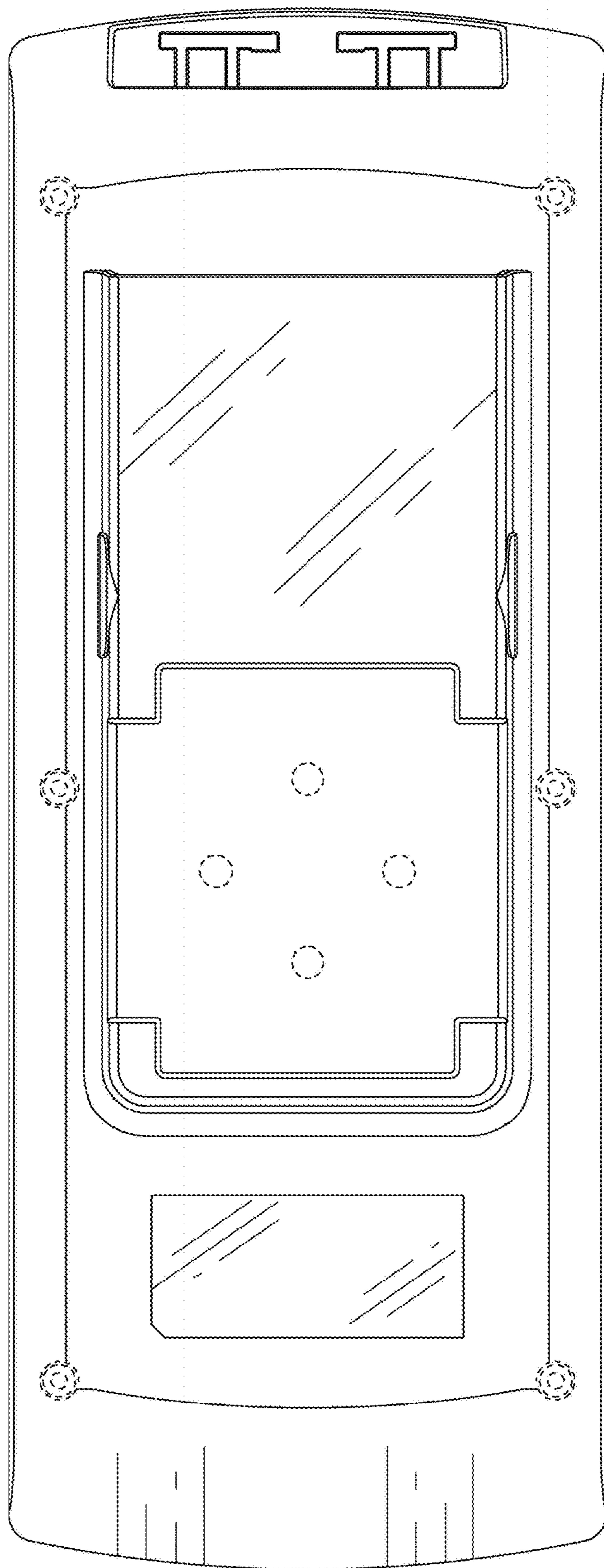


FIG. 4

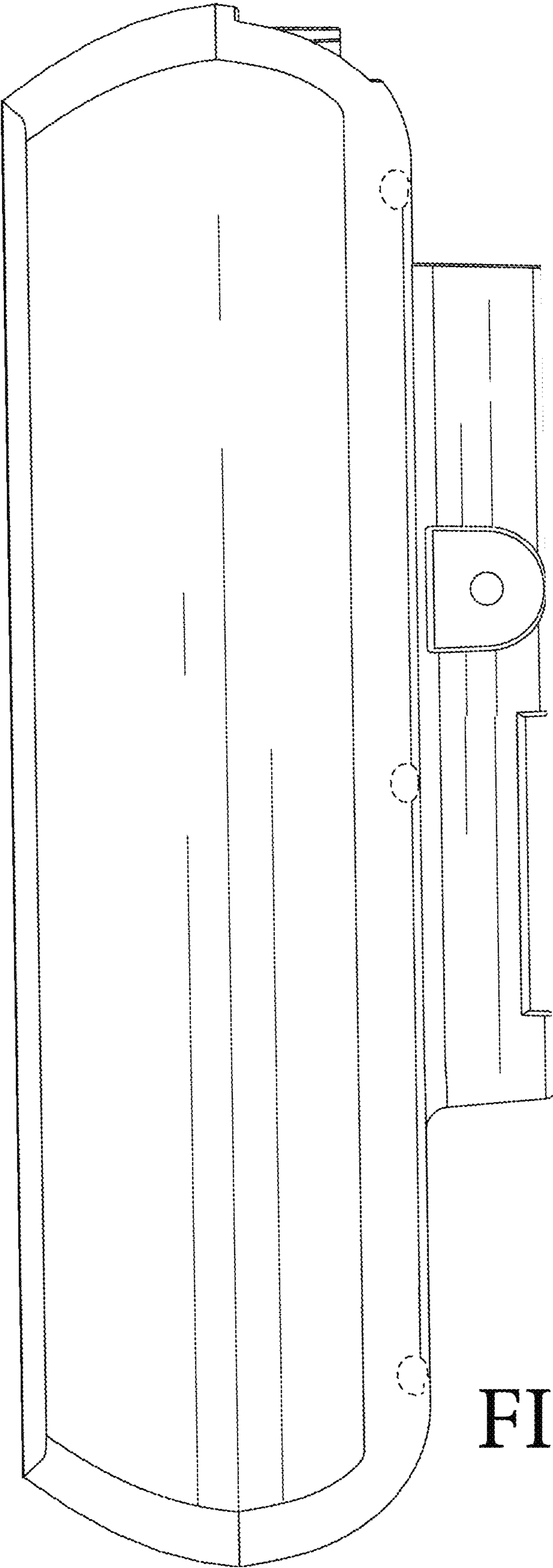


FIG. 5

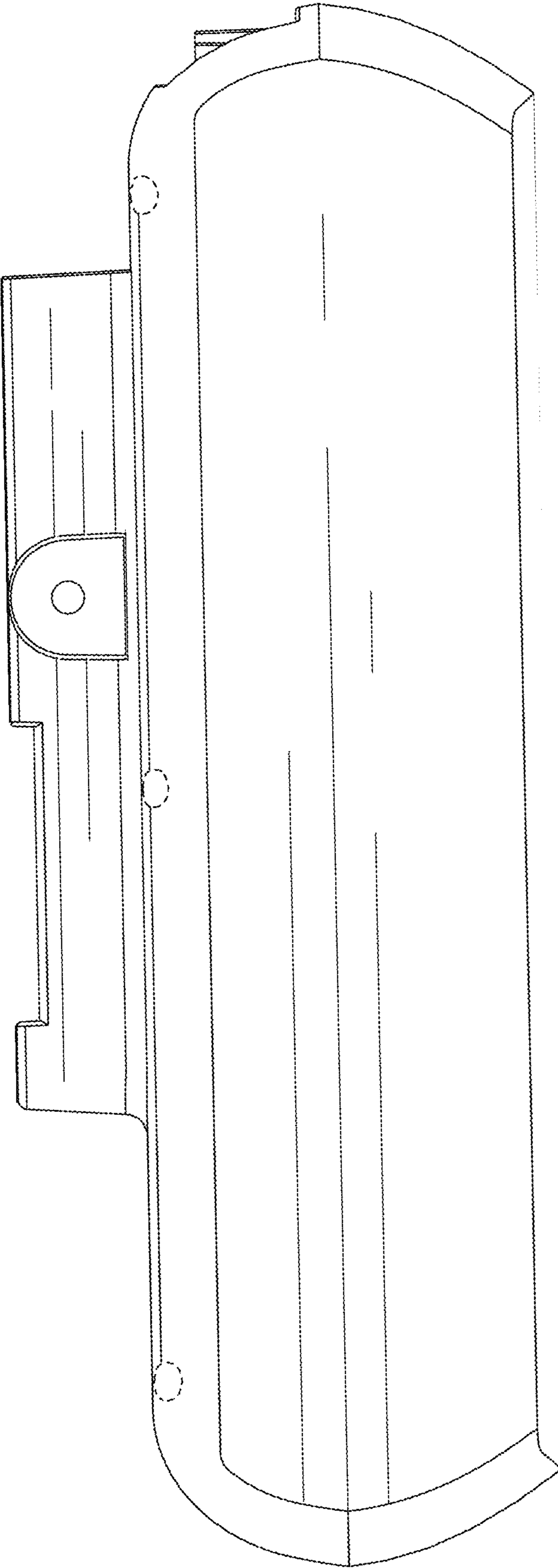


FIG. 6



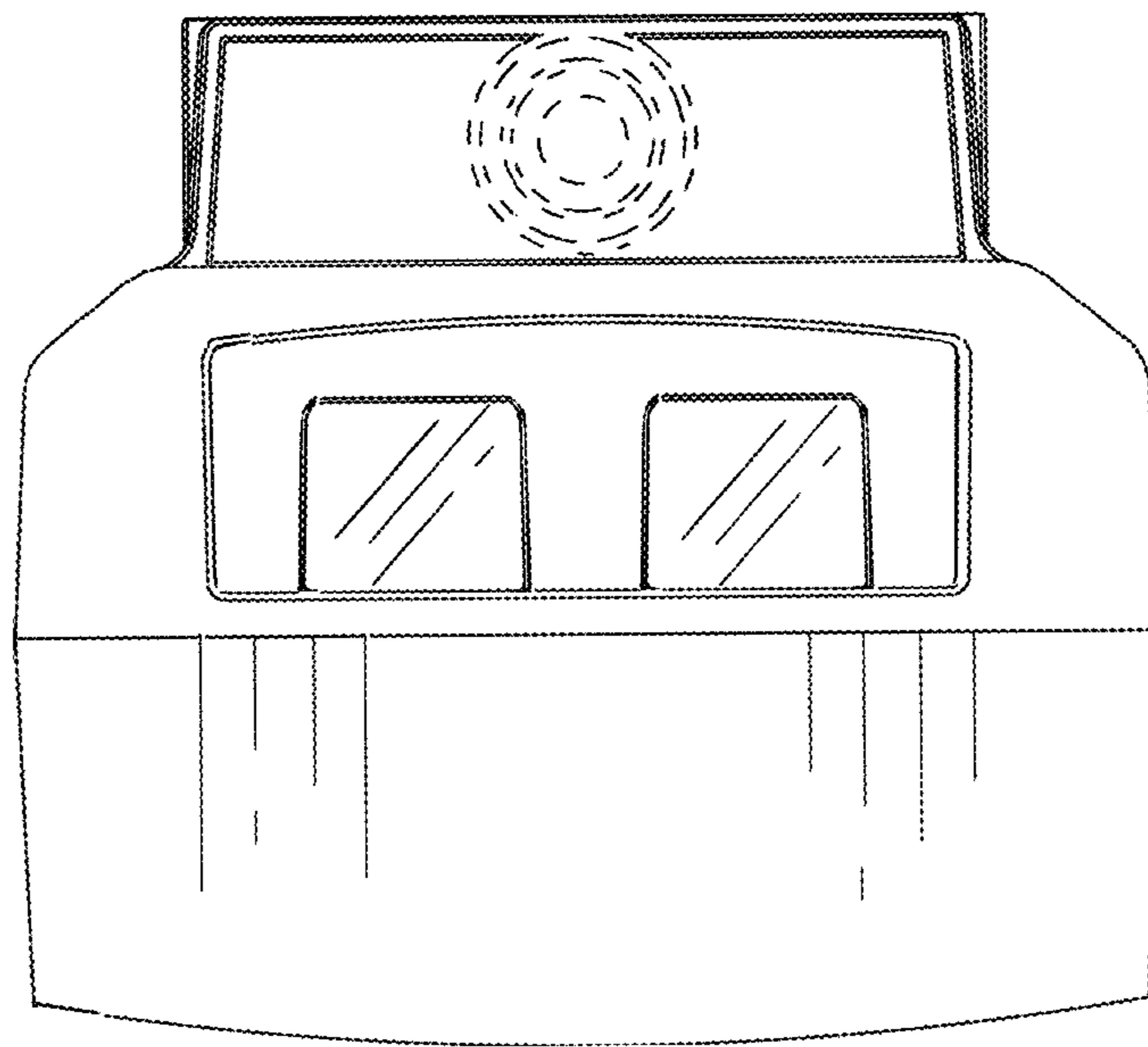


FIG. 7

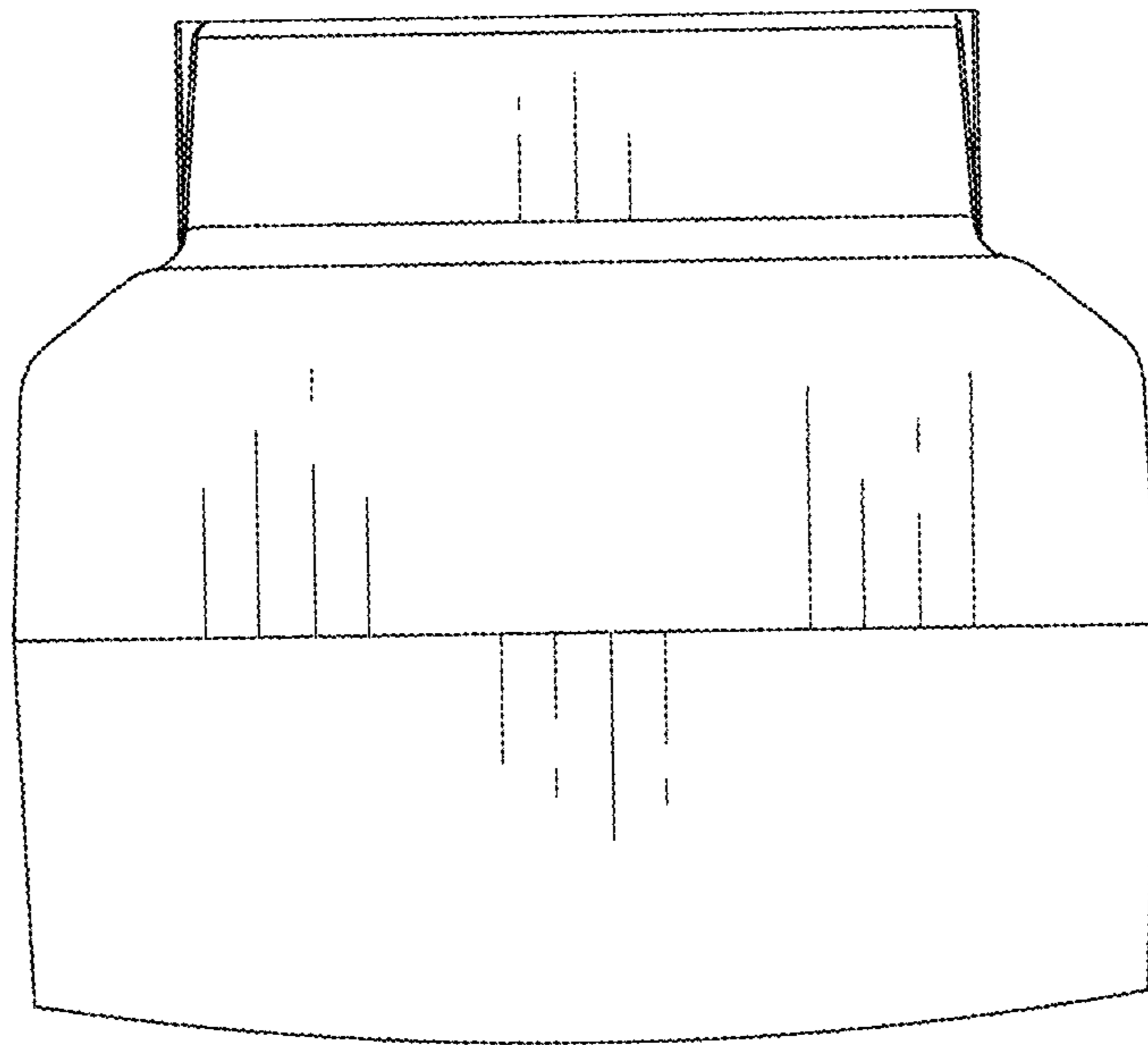


FIG. 8