



US00D953310S

(12) **United States Design Patent**
Zhou

(10) **Patent No.:** **US D953,310 S**

(45) **Date of Patent:** **** May 31, 2022**

(54) **TV ANTENNA AMPLIFIER**

(71) Applicant: **Zhicheng Zhou**, Shenzhen (CN)

(72) Inventor: **Zhicheng Zhou**, Shenzhen (CN)

(**) Term: **15 Years**

(21) Appl. No.: **29/727,593**

(22) Filed: **Mar. 11, 2020**

(51) **LOC (13) Cl.** **14-03**

(52) **U.S. Cl.**
USPC **D14/230**

(58) **Field of Classification Search**
USPC ... D14/230, 238, 238.1, 239, 188, 217, 299,
D14/243, 265, 496, 155, 137; D13/151,
D13/133, 146
CPC . H03F 1/06; H04N 21/00; H04N 5/00; H04N
5/14; H04N 5/44; H04N 7/00; H04N
7/102; H04N 7/104; H04N 7/106; H01Q
17/00; H01Q 17/007

See application file for complete search history.

(56) **References Cited**

U.S. PATENT DOCUMENTS

D487,021 S *	2/2004	Chen	D10/50
D517,052 S *	3/2006	Skulley	D14/223
D653,219 S *	1/2012	Woytowitz	D13/159
D783,571 S *	4/2017	Mizrahi	D14/205
D789,358 S *	6/2017	Yang	D14/496
D822,643 S *	7/2018	Chen	D14/218
D835,589 S *	12/2018	Zhang	D13/171
D840,357 S *	2/2019	Zhao	D13/168
D913,983 S *	3/2021	Tong	D14/155
D922,970 S *	6/2021	Saito	D13/182
D925,488 S *	7/2021	Pedersen	D14/218

OTHER PUBLICATIONS

lbyone High Gain Low Noise HDTV Antenna Amplifier, www.amazon.com, Dec. 25, 2014. <https://www.amazon.com/lbyone-Antenna-Amplifier-Booster-Non-amplified/dp/B00RFLXETG/> (Year: 2014).*

HDTV Antenna Amplifier Signal Booster, www.walmart.com, Oct. 24, 2018. <https://www.walmart.com/ip/HDTV-Antenna-Amplifier-Signal-Booster-TV-High-Gain-Channel-Boost-Indoor-VHF-UHF/237995950> (Year: 2018).*

* cited by examiner

Primary Examiner — Llorellys Martinez

Assistant Examiner — Kwabena A. Ankobiah

(74) *Attorney, Agent, or Firm* — Xuan Zhang

(57) **CLAIM**

The ornamental design for a TV antenna amplifier, as shown in described.

DESCRIPTION

FIG. 1 is a front perspective view of a TV antenna amplifier showing my new design;

FIG. 2 is a rear perspective view thereof;

FIG. 3 is a rear elevation view thereof;

FIG. 4 is a front elevation view thereof;

FIG. 5 is a top elevation view thereof;

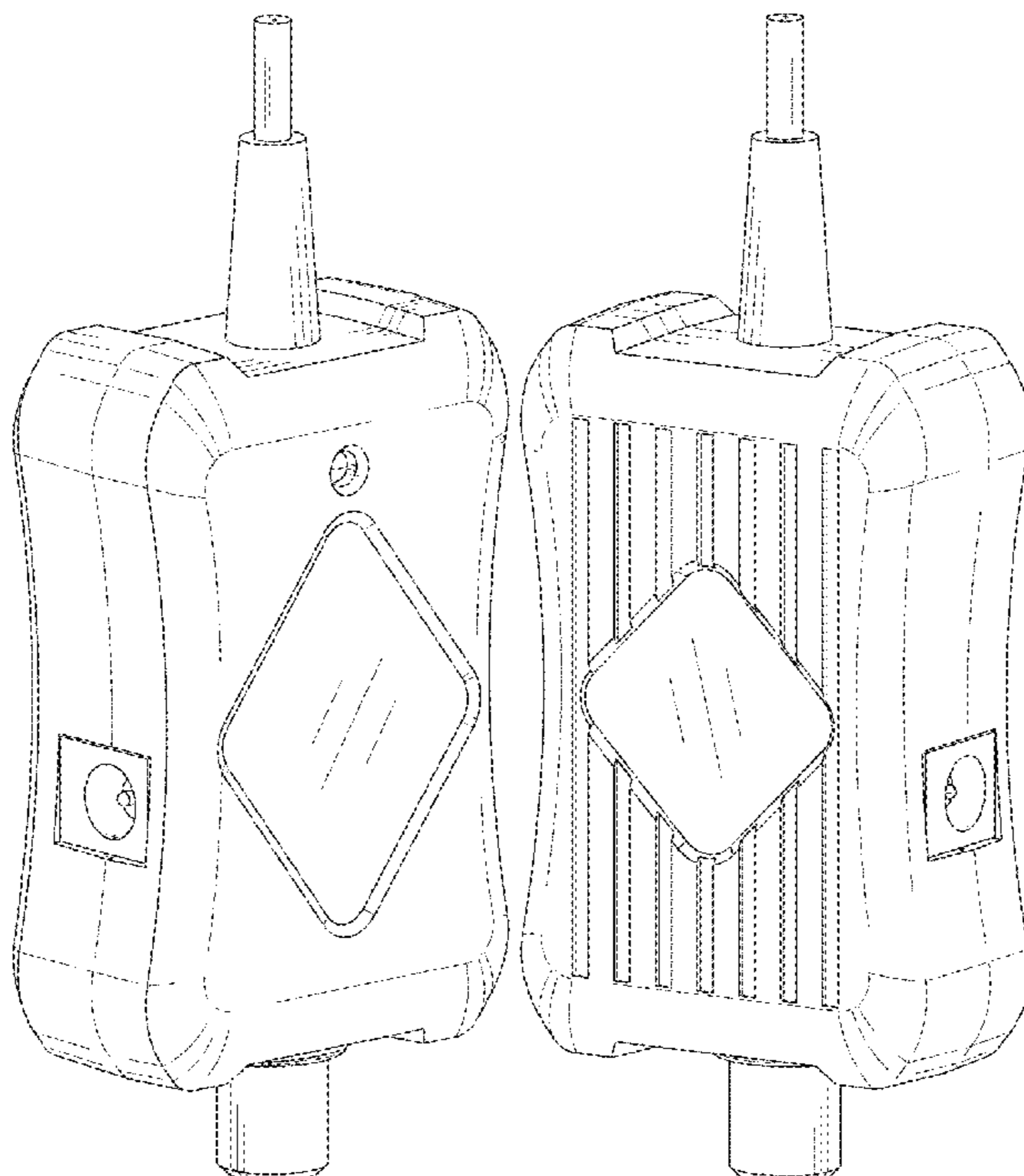
FIG. 6 is a bottom elevation view thereof;

FIG. 7 is a left side elevation view thereof; and,

FIG. 8 is a right side elevation view thereof.

The broken lines in the drawings illustrate portions of the TV antenna amplifier that form no part of the claim.

1 Claim, 8 Drawing Sheets



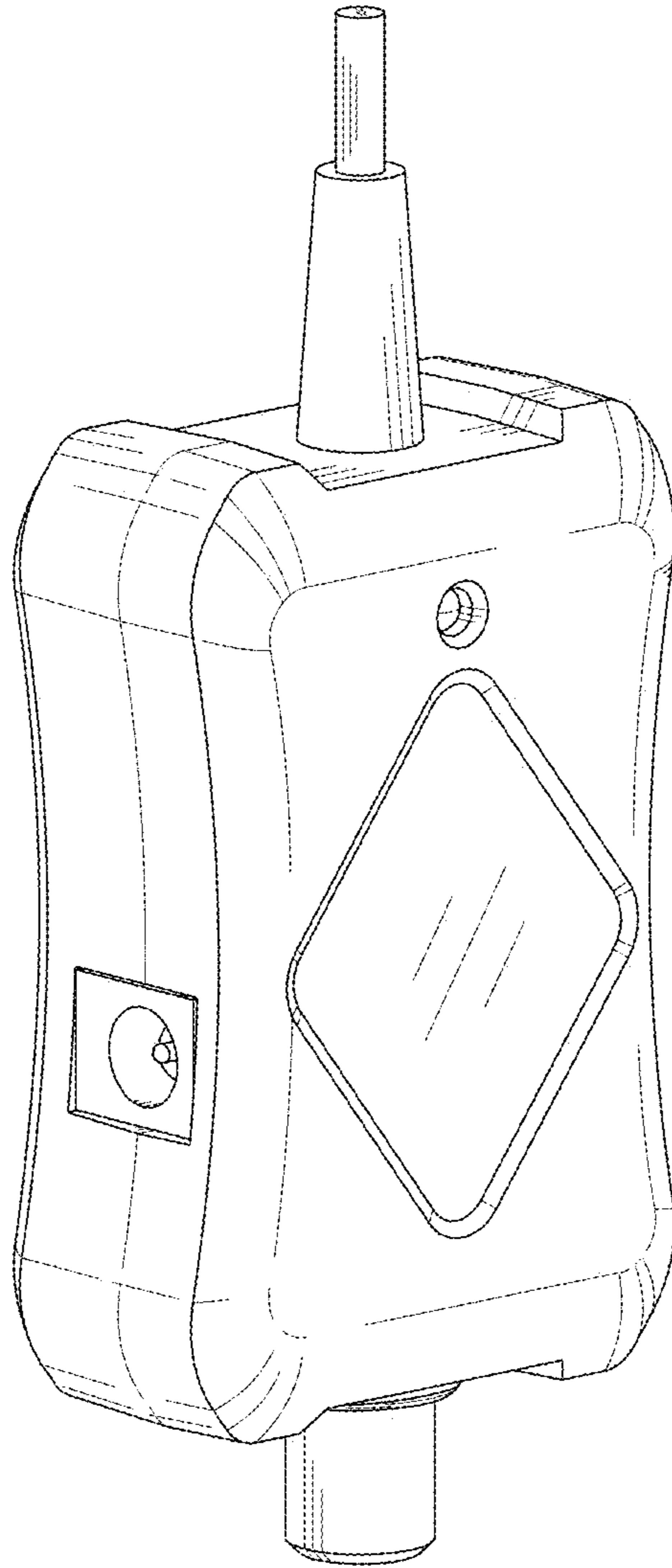


FIG. 1

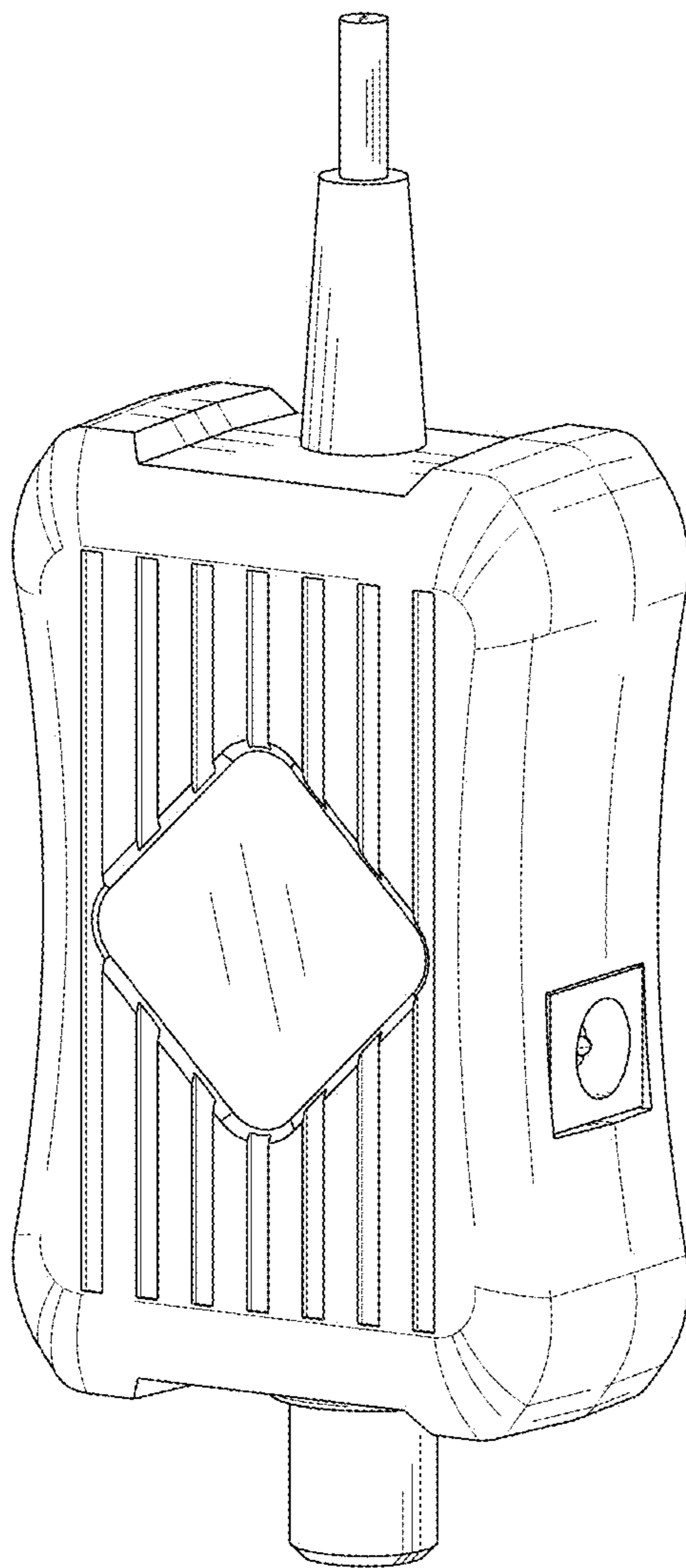


FIG. 2

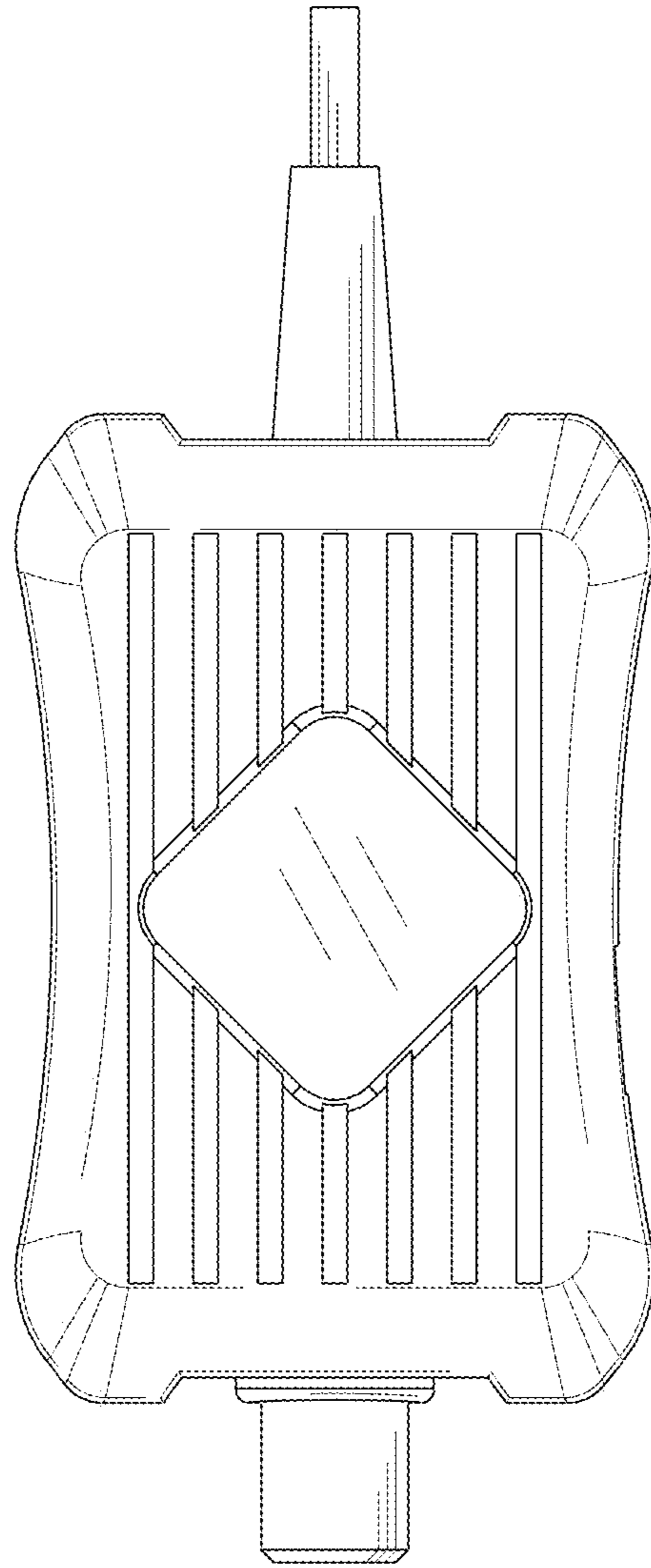


FIG. 3

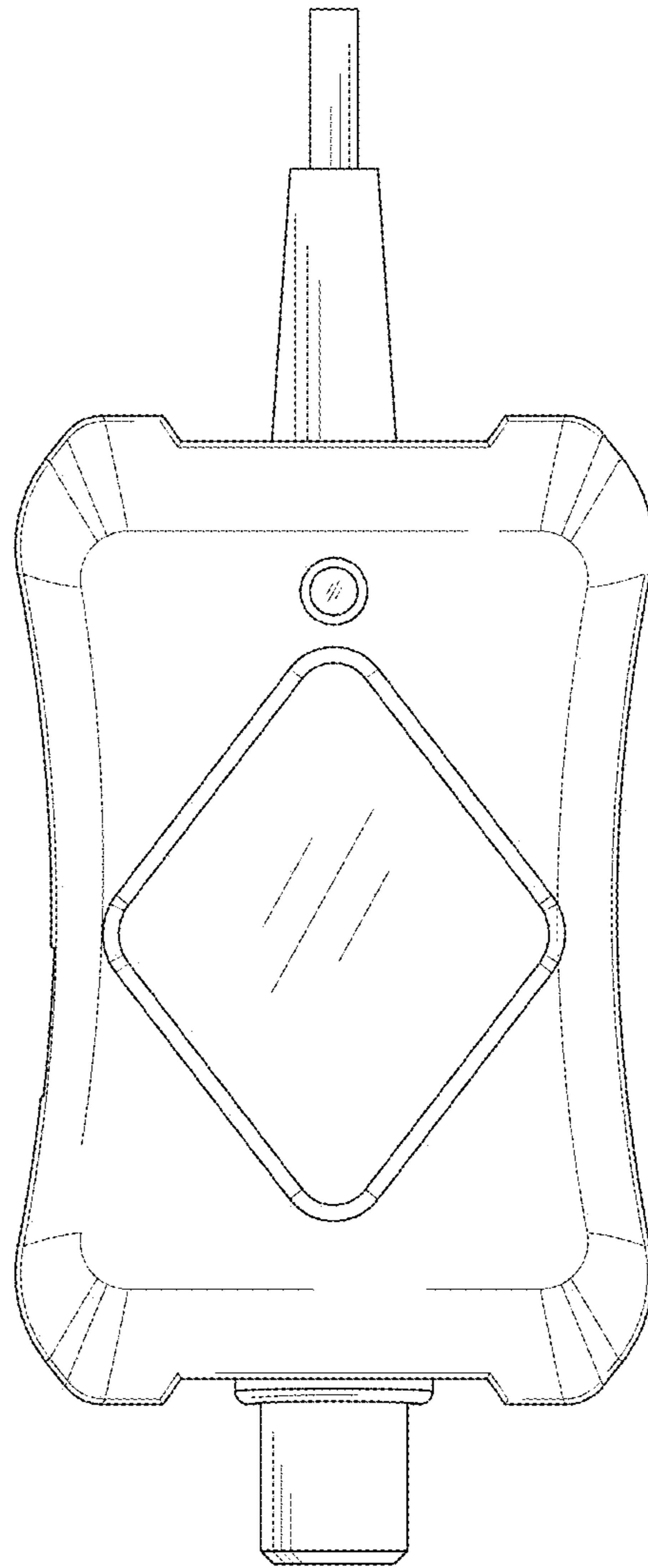


FIG. 4

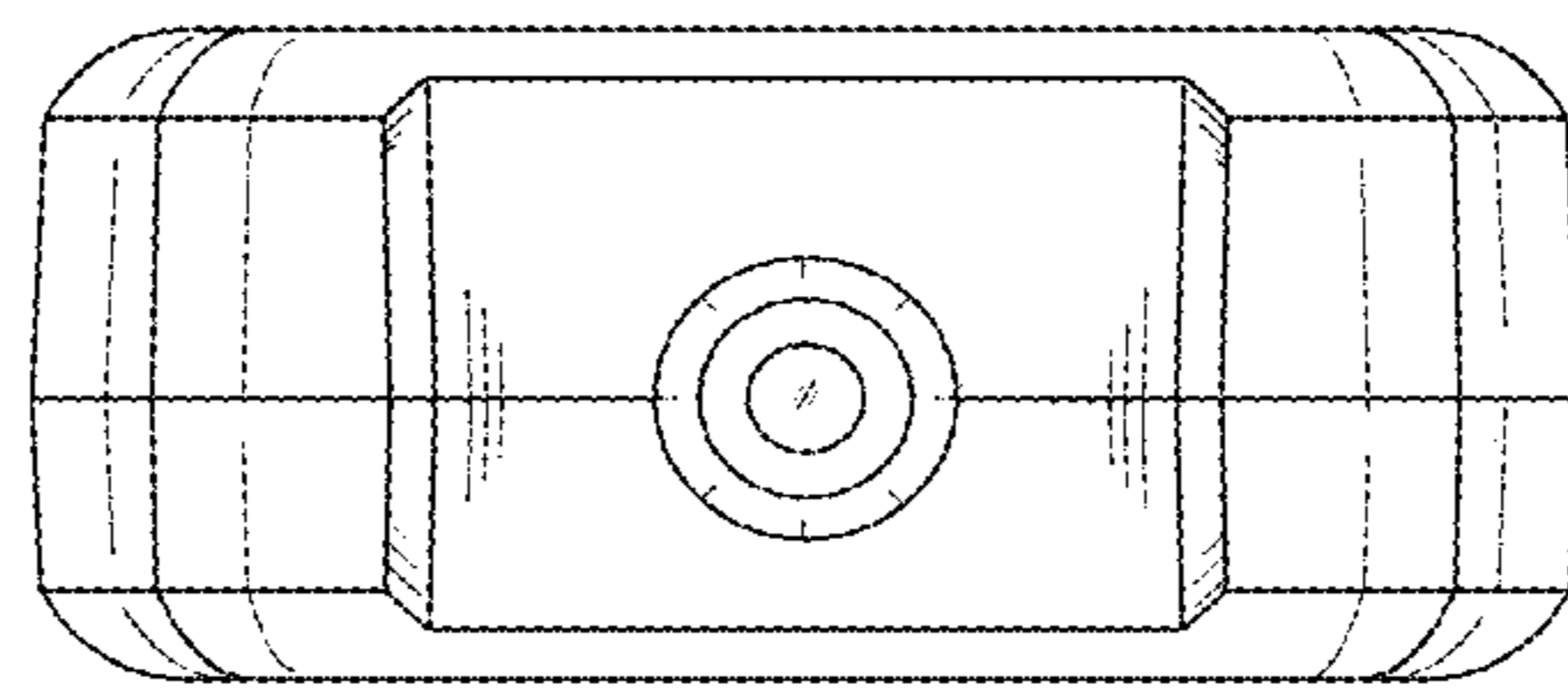


FIG. 5

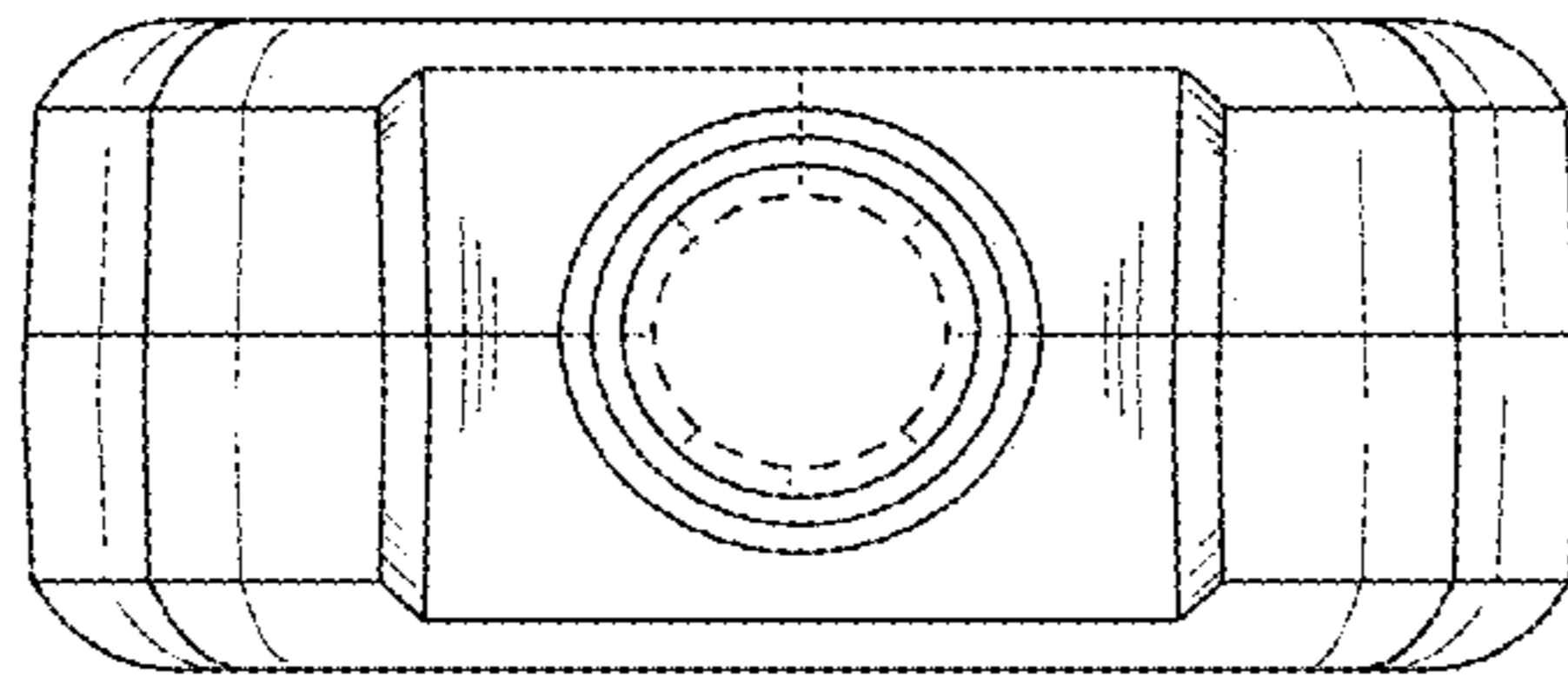


FIG. 6

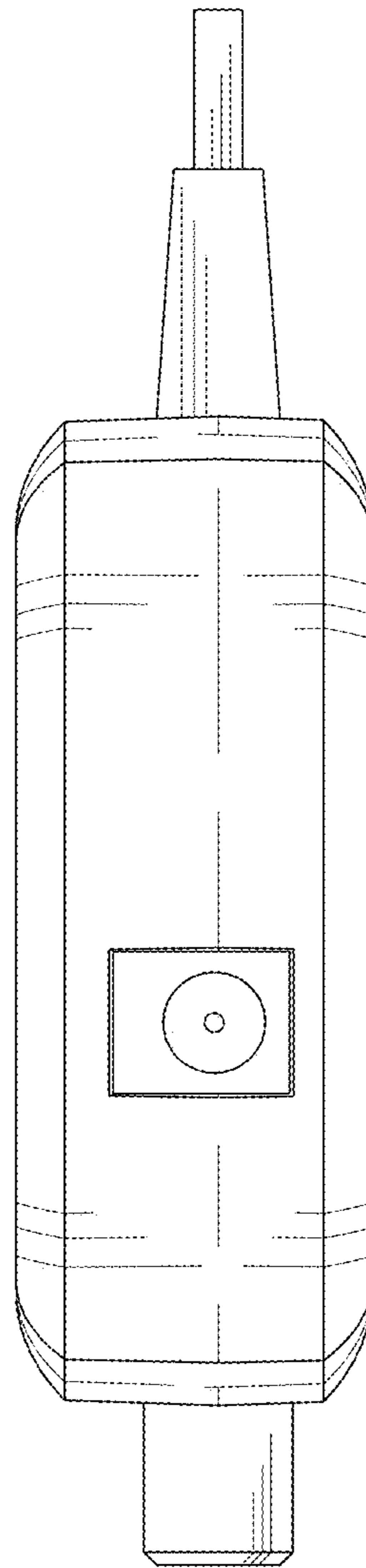


FIG. 7

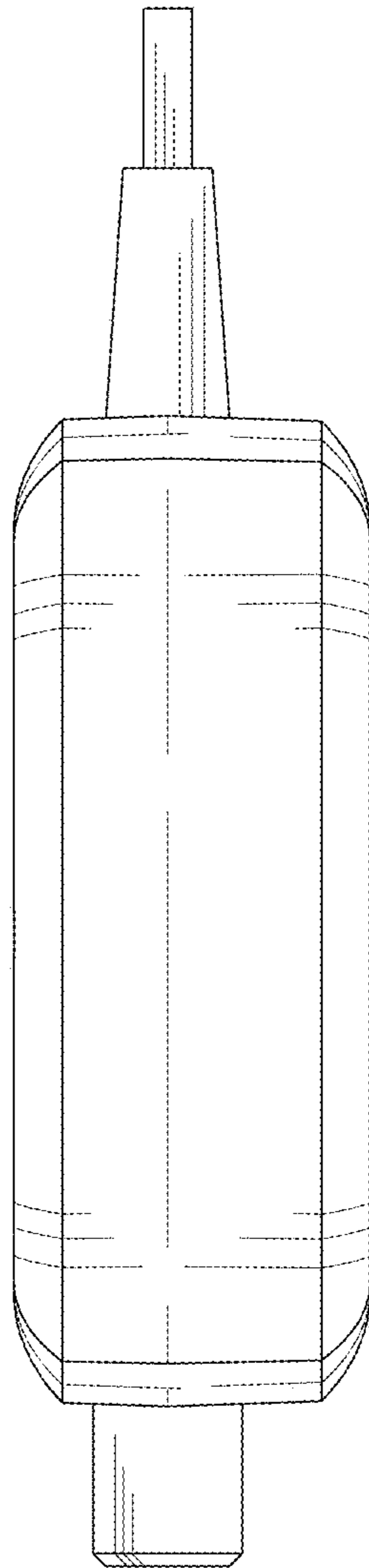


FIG. 8