



US00D953309S

(12) **United States Design Patent** (10) **Patent No.:** **US D953,309 S**
Zhou (45) **Date of Patent:** **** May 31, 2022**

(54) **TV ANTENNA**

(71) Applicant: **Zhicheng Zhou**, Shenzhen (CN)

(72) Inventor: **Zhicheng Zhou**, Shenzhen (CN)

(**) Term: **15 Years**

(21) Appl. No.: **29/727,592**

(22) Filed: **Mar. 11, 2020**

(51) **LOC (13) Cl.** **14-03**

(52) **U.S. Cl.**

USPC **D14/230**

(58) **Field of Classification Search**

USPC D14/230–238, 238.1, 243, 299, 358;
D13/182; D26/26, 87

CPC H01Q 1/243; H01Q 1/36; H01Q 1/38;
H01Q 1/50; H01Q 7/00; H01Q 9/0407;
H01Q 9/045; H01Q 9/285; H04B 1/034;
H04B 1/0475; H04B 2001/0408; H05K
11/00

See application file for complete search history.

(56) **References Cited**

U.S. PATENT DOCUMENTS

D300,531 S *	4/1989	Higgins	D14/230
D691,599 S *	10/2013	Mukaide	D14/230
D776,656 S *	1/2017	Lagerstedt	D14/358
D776,657 S *	1/2017	Lagerstedt	D14/358
D829,360 S *	9/2018	Mou	H01Q 7/00 D26/87
D852,791 S *	7/2019	Sohn	D14/240
D907,609 S *	1/2021	Courtney	D14/230
D926,715 S *	8/2021	Okabe	D13/182
2019/0289247 A1 *	9/2019	Yang	H01Q 7/00

OTHER PUBLICATIONS

LAVA Omni Pro HD-8000 Outdoor Omni Directional TV Antenna, tvantennasale.com, Nov. 10, 2016. <https://www.tvantennasale.com/LAVA-OmniPro-HD-8000-Omni-Directional-TV-Antenna-p/lavahd8000.htm> (Year: 2016).*

Intellinet Network Dual-Band Ceiling Mount Antenna, www.ebay.com, Aug. 2, 2016. <https://www.ebay.com/itm/Intellinet-Network-Dual-Band-Ceiling-Mount-Antenna-Omni-directional-4-dBi-IP65-/222170789305> (Year: 2016).*

Antop Antenna PL-414BG Outdoor Amplified HD TV Antenna, Amazon.com, Oct. 8, 2018. <https://www.amazon.com/ANTOP-360%C2%B0Omnidirectional-Outdoor-Antenna-Amplifier/dp/B07J4RKBXS/> (Year: 2018).*

Channel Master Omni+ Omnidirectional Outdoor TV Antenna, Amazon.com, Jun. 12, 2019. <https://www.amazon.com/Channel-Master-Omni-CM-3011HD-Omnidirectional/dp/B07T25NFHK> (Year: 2019).*

Antop UFO Outdoor TV Antenna Build-in 4G LTE Filter, Amazon.com, Sep. 17, 2019. <https://www.amazon.com/Smartpass-Amplifier-Omni-Directional-UV-Coating-Technology/dp/B07XZ11JY4/> (Year: 2019).*

* cited by examiner

Primary Examiner — Llorellys Martinez

Assistant Examiner — Kwabena A. Ankobiah

(74) *Attorney, Agent, or Firm* — Xuan Zhang

(57) **CLAIM**

The ornamental design for a TV antenna, as shown in described.

DESCRIPTION

FIG. 1 is a front perspective view of a TV antenna showing my new design;

FIG. 2 is a rear perspective view thereof;

FIG. 3 is a front elevation view thereof

FIG. 4 is a rear elevation view thereof;

FIG. 5 is a top elevation view thereof;

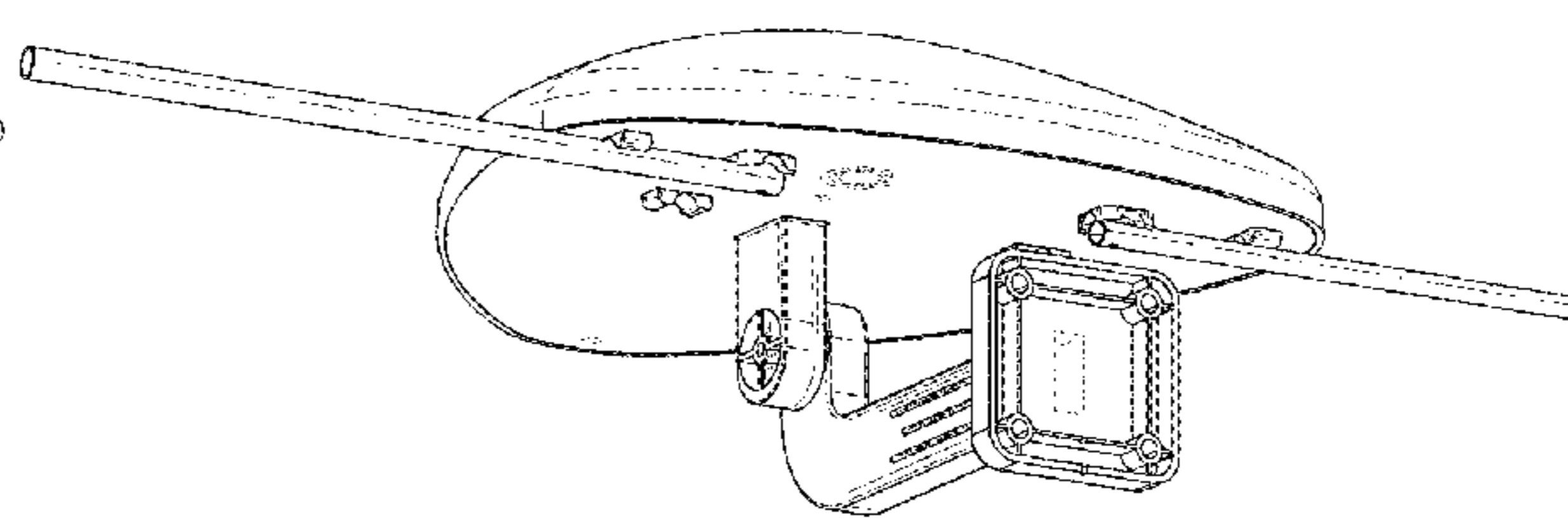
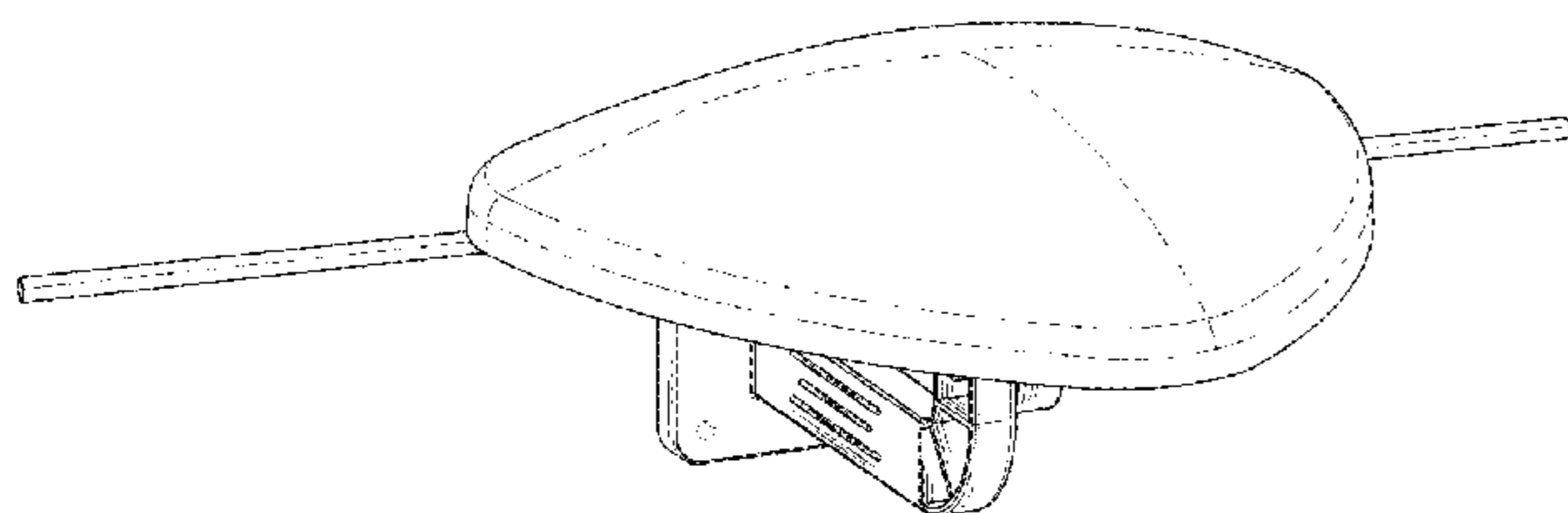
FIG. 6 is a bottom elevation view thereof;

FIG. 7 is a left side elevation view thereof; and,

FIG. 8 is a right side elevation view thereof.

The broken lines in the drawings illustrate portions of the TV antenna that forms no part of the claim.

1 Claim, 8 Drawing Sheets



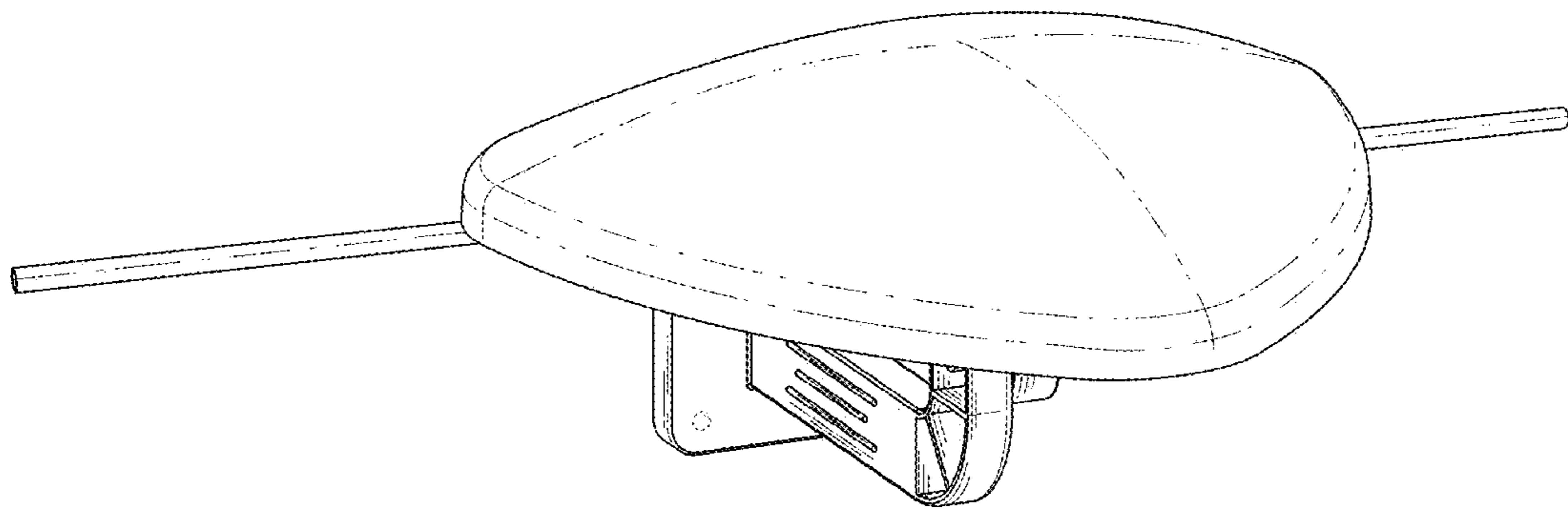


FIG. 1

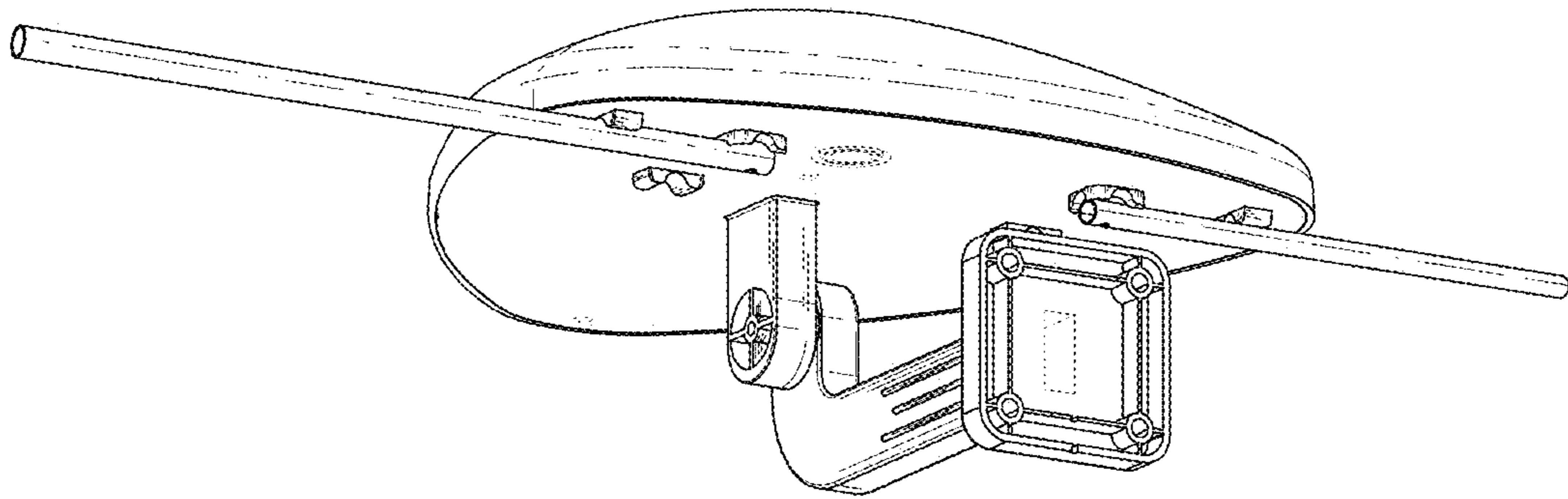


FIG. 2

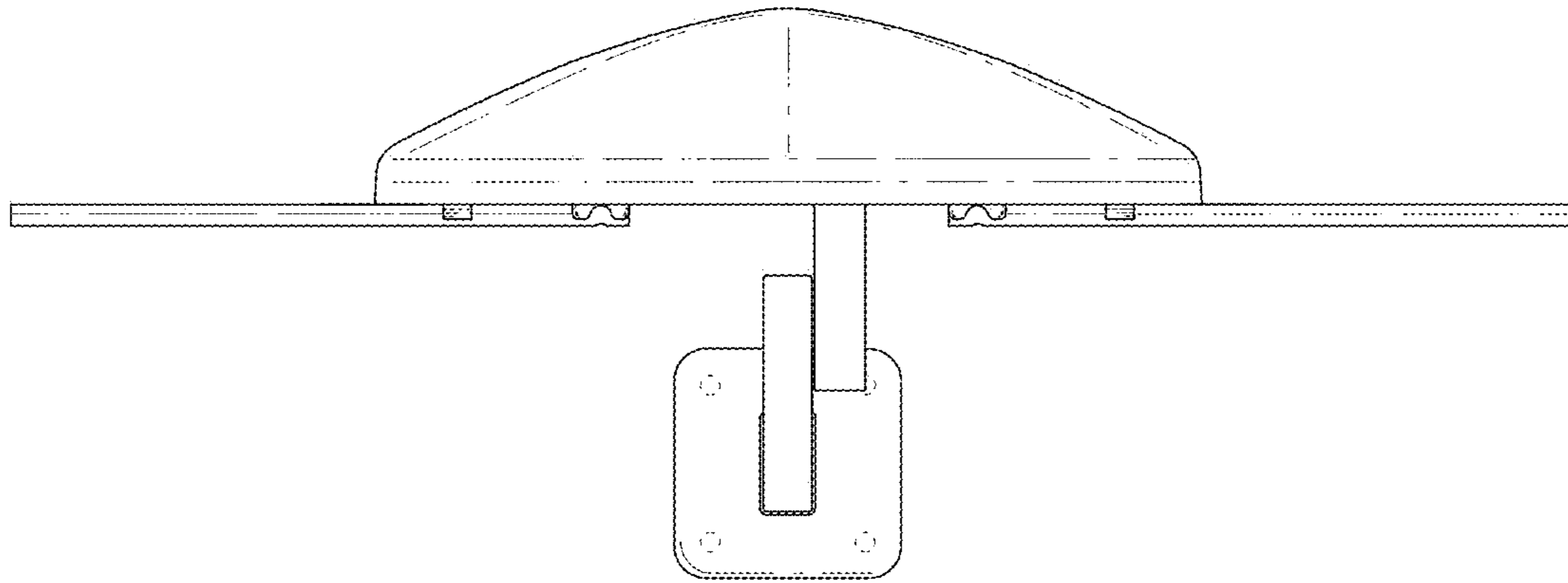


FIG. 3

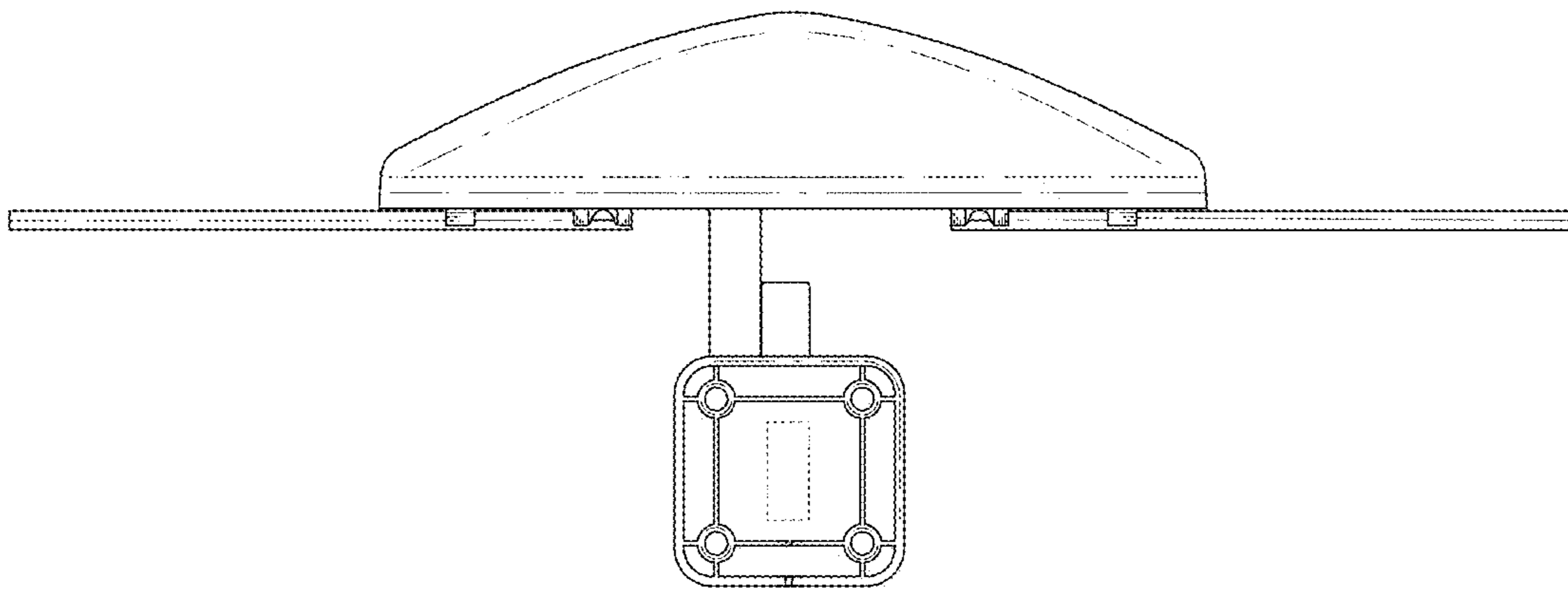


FIG. 4

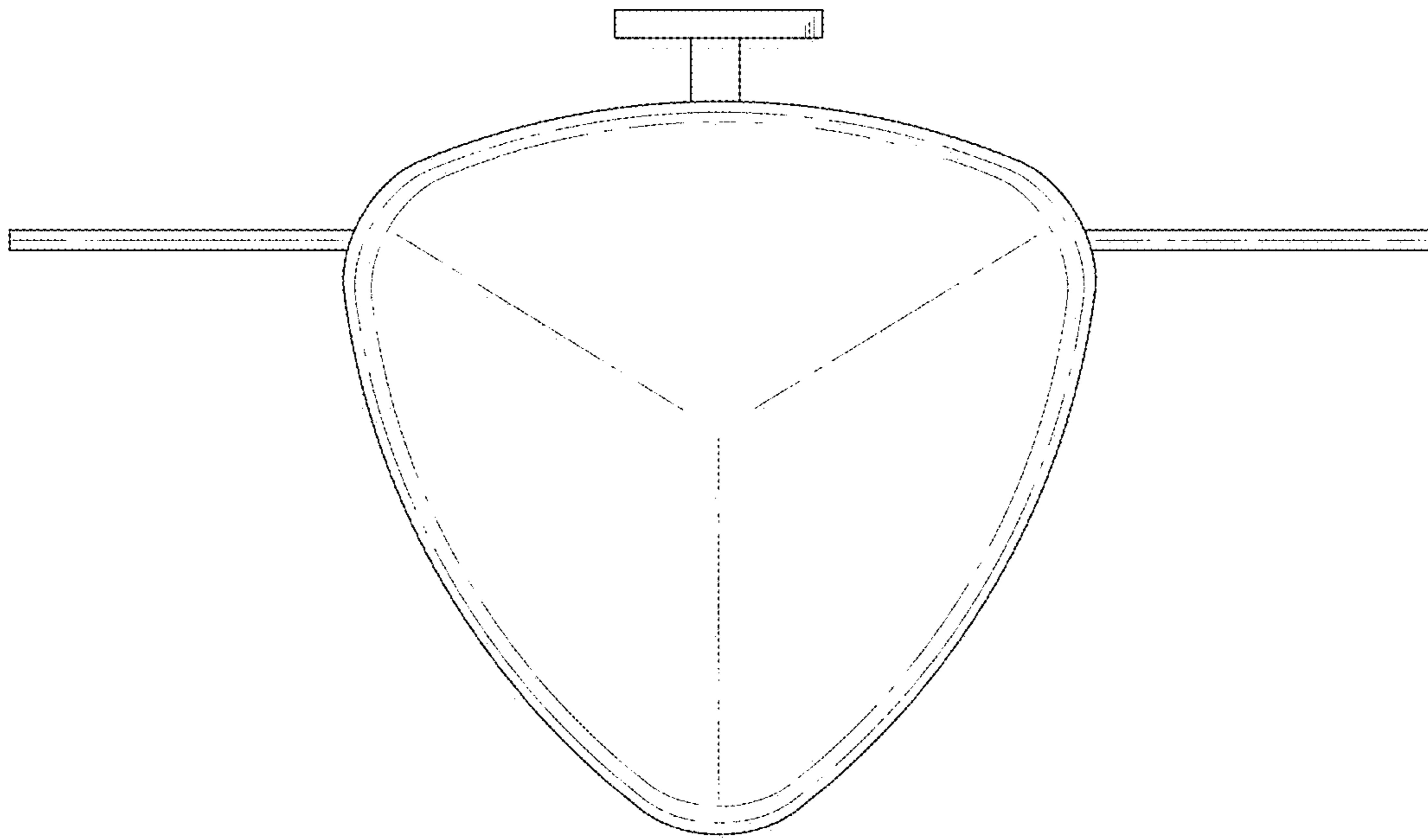


FIG. 5

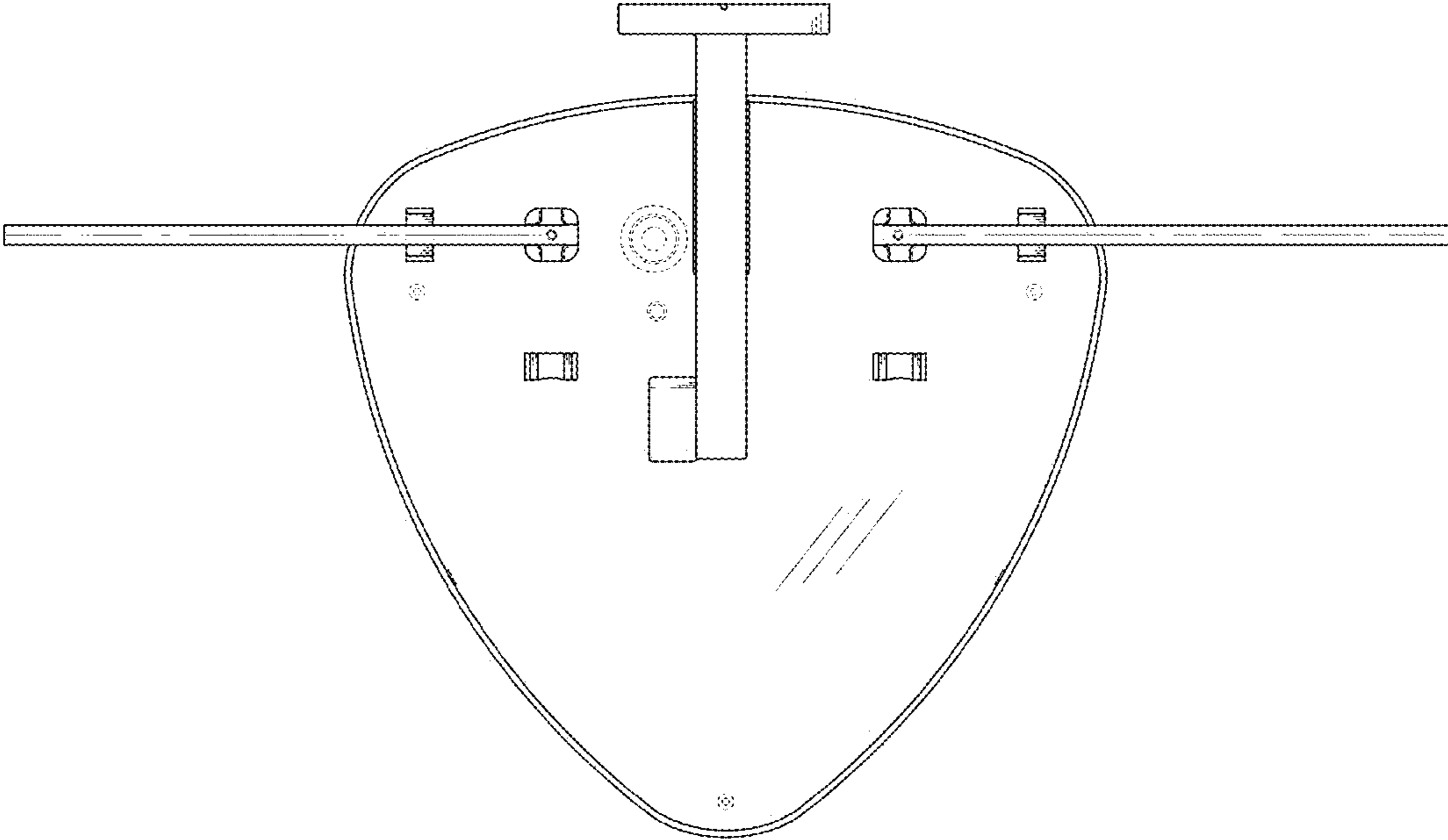


FIG. 6

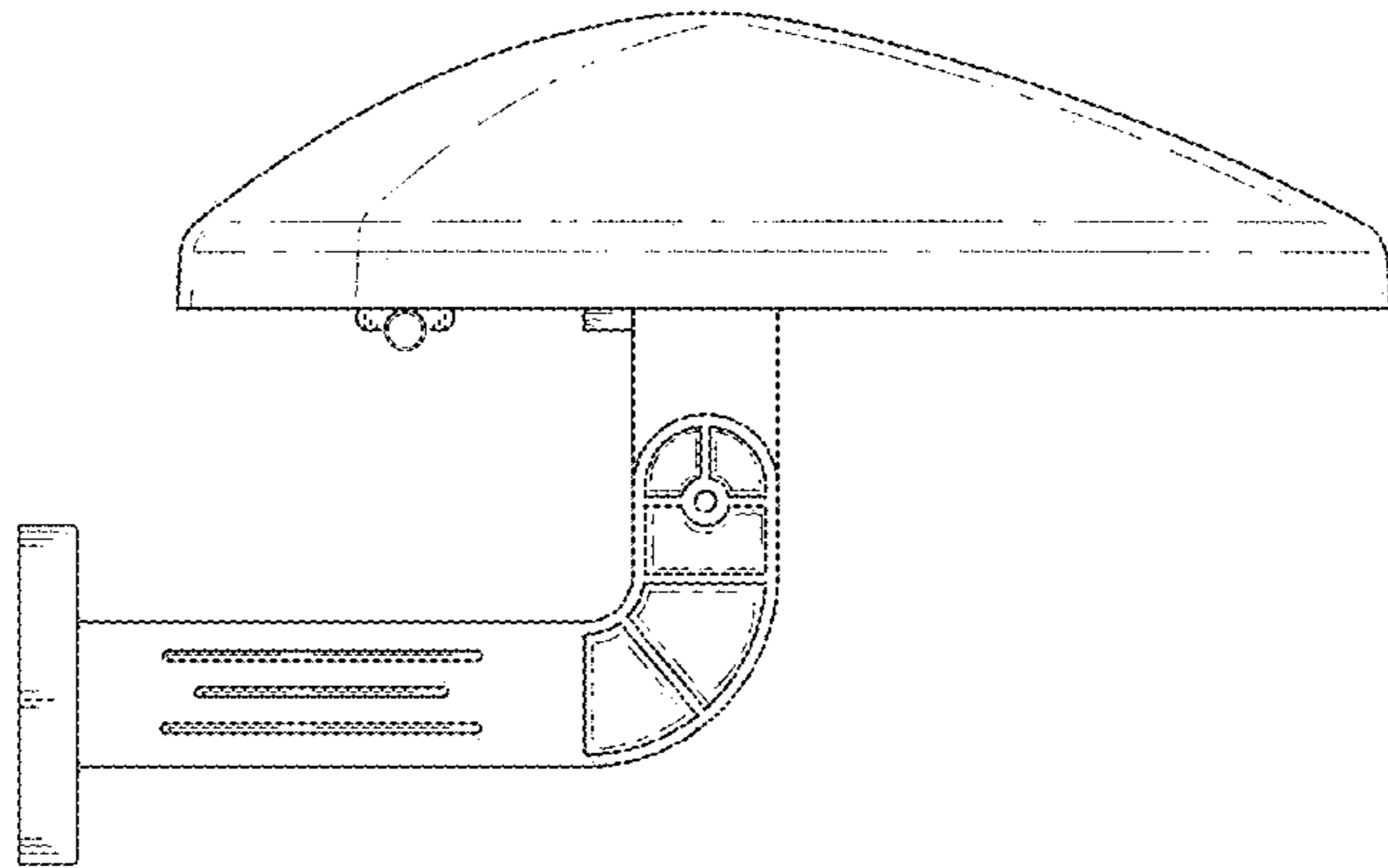


FIG. 7

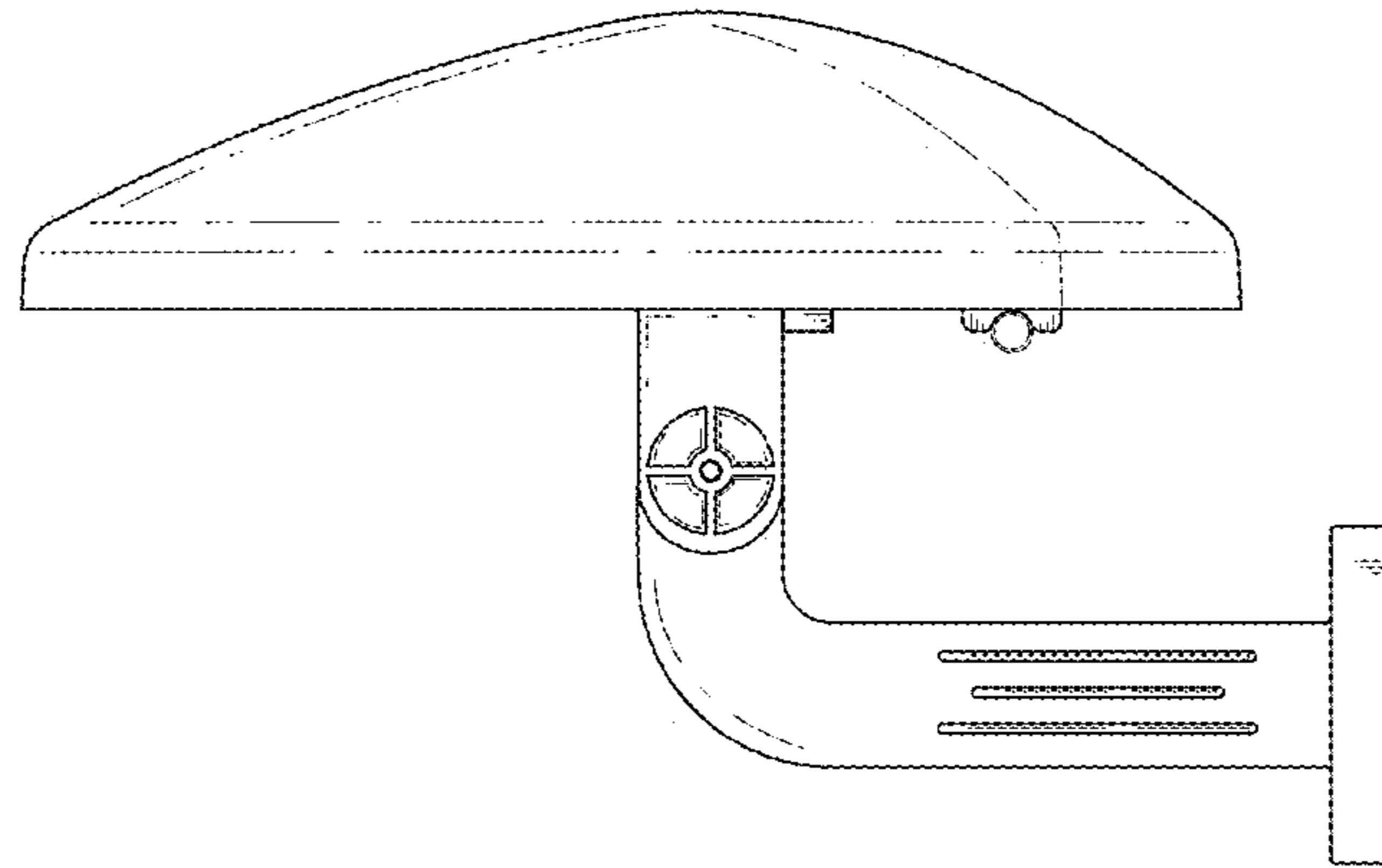


FIG. 8