



US00D953307S

(12) **United States Design Patent**
Qin

(10) **Patent No.:** **US D953,307 S**

(45) **Date of Patent:** **** May 31, 2022**

- (54) **MICROPHONE**
- (71) Applicant: **Jingping Qin**, Chongqing (CN)
- (72) Inventor: **Jingping Qin**, Chongqing (CN)
- (**) Term: **15 Years**
- (21) Appl. No.: **29/764,947**
- (22) Filed: **Jan. 5, 2021**
- (51) **LOC (13) Cl.** **14-01**
- (52) **U.S. Cl.**
USPC **D14/226; D14/228**
- (58) **Field of Classification Search**
USPC D14/226, 228, 225, 227, 229, 486, 497,
D14/188, 192, 167, 172, 203.1; D21/513,
D21/483; D17/99; 181/158, 242;
379/451; 381/111, 113, 122, 359;
700/94; 84/610; 434/307 A; 429/97;
446/416; 455/90.3, 575.1, 569.1
CPC H04R 25/00; H04R 9/08; H04R 19/02;
H04R 19/04; H04R 11/04; H04R 3/00;
H04R 1/08; H04R 1/20; H04R 1/02;
H05K 5/00
See application file for complete search history.

- 4,425,482 A * 1/1984 Bordelon H04R 11/02
335/231
 - 4,529,846 A * 7/1985 Freeman H04M 1/215
381/369
 - 4,600,077 A * 7/1986 Drever H04R 1/086
181/158
 - 4,625,827 A * 12/1986 Bartlett H04R 1/086
181/158
 - D290,838 S * 7/1987 Stames D14/228
 - D292,701 S * 11/1987 Drever D14/228
 - D295,224 S * 4/1988 Miyamoto D14/228
 - 4,817,153 A * 3/1989 Fernandez H04R 1/08
381/111
 - D300,821 S * 4/1989 Kubota D14/228
- (Continued)

FOREIGN PATENT DOCUMENTS

- CN 305227245 * 6/2019
 - CN 202020639911.X * 4/2020
- (Continued)

Primary Examiner — Paula Allen Greene

(57) **CLAIM**

The ornamental design for a microphone, as shown and described.

DESCRIPTION

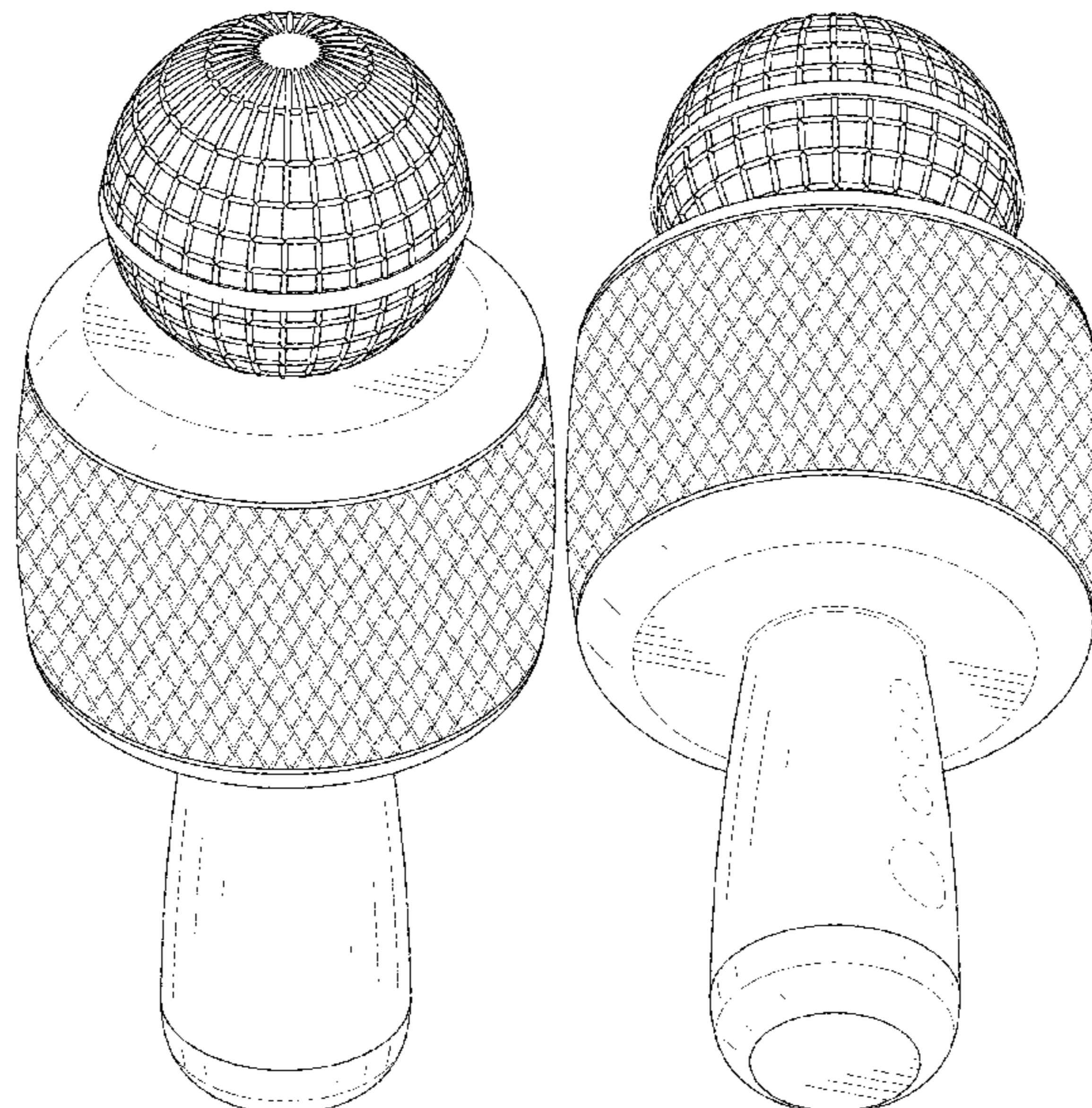
FIG. 1 is a first perspective view of a microphone showing my new design;
 FIG. 2 is a second perspective view thereof;
 FIG. 3 is a front view thereof;
 FIG. 4 is a back view thereof;
 FIG. 5 is a left side view thereof;
 FIG. 6 is a right side view thereof;
 FIG. 7 is a top view thereof; and,
 FIG. 8 is a bottom view thereof.
 The broken lines shown in the drawings depict portions of the microphone in which the design is embodied that form no part of the claimed design.

1 Claim, 8 Drawing Sheets

(56) **References Cited**

U.S. PATENT DOCUMENTS

- 2,536,261 A * 1/1951 Caldwell, Jr. H04R 1/086
381/346
- D213,567 S * 3/1969 Buchanan D14/228
- 3,550,720 A * 12/1970 Ballard H04R 1/086
181/175
- 4,065,648 A * 12/1977 Cvetko H04R 1/086
381/359
- D247,706 S * 4/1978 Armstrong D14/228
- D247,707 S * 4/1978 Armstrong D14/228
- D253,468 S * 11/1979 Peterson D14/228
- 4,344,184 A * 8/1982 Edwards H04B 1/04
343/702



(56)

References Cited

U.S. PATENT DOCUMENTS

4,910,795 A * 3/1990 McGowen H04R 1/04
455/95
D310,368 S * 9/1990 Derhaag D14/225
4,966,252 A * 10/1990 Drever H04R 1/086
181/158
D324,049 S * 2/1992 Endo D14/228
5,706,359 A * 1/1998 Chang H04R 1/08
381/355
5,742,697 A * 4/1998 Ching-Chung H04R 1/083
381/355
D397,119 S * 8/1998 Okon D14/228
6,000,948 A * 12/1999 Peterson H04R 1/08
439/22
6,061,457 A * 5/2000 Stockhamer H04R 1/00
367/140
D444,782 S * 7/2001 Chung D14/228
D446,205 S * 8/2001 Ming-Cheng D14/228
D449,041 S * 10/2001 Koike D14/228
D462,343 S * 9/2002 Wang D14/225
D462,947 S * 9/2002 Kung D14/228
6,597,796 B2 * 7/2003 Chang H04R 1/08
338/178
D504,678 S * 5/2005 Ruhrig D14/228
D713,391 S * 9/2014 Ibuki D14/228
D807,327 S * 1/2018 Xiong D14/216
D813,208 S * 3/2018 Nie D14/226

D836,615 S * 12/2018 Su D14/226
D868,042 S * 11/2019 Yang D14/226
D880,459 S * 4/2020 Su D14/226
D883,961 S * 5/2020 Dai D14/226
D892,090 S * 8/2020 Xiang D14/228
D901,459 S * 11/2020 Zhao D14/229
D905,022 S * 12/2020 Zheng D14/225
D910,604 S * 2/2021 Zheng D14/225
D929,973 S * 9/2021 Mai D14/227
D933,638 S * 10/2021 Lu D14/226
2003/0179898 A1 * 9/2003 Chen H04R 1/08
381/355
2005/0271233 A1 * 12/2005 Uchimura H04R 1/086
381/359
2009/0154753 A1 * 6/2009 Akino H04R 9/08
381/355
2011/0044477 A1 * 2/2011 Huang H04R 1/083
381/122
2015/0304754 A1 * 10/2015 Akino H04R 1/028
381/359
2019/0069060 A1 * 2/2019 Su H04M 1/6033

FOREIGN PATENT DOCUMENTS

CN 306460605 * 4/2021
CN 307002348 * 12/2021
CN 307034727 * 12/2021
CN 307048370 * 1/2022

* cited by examiner

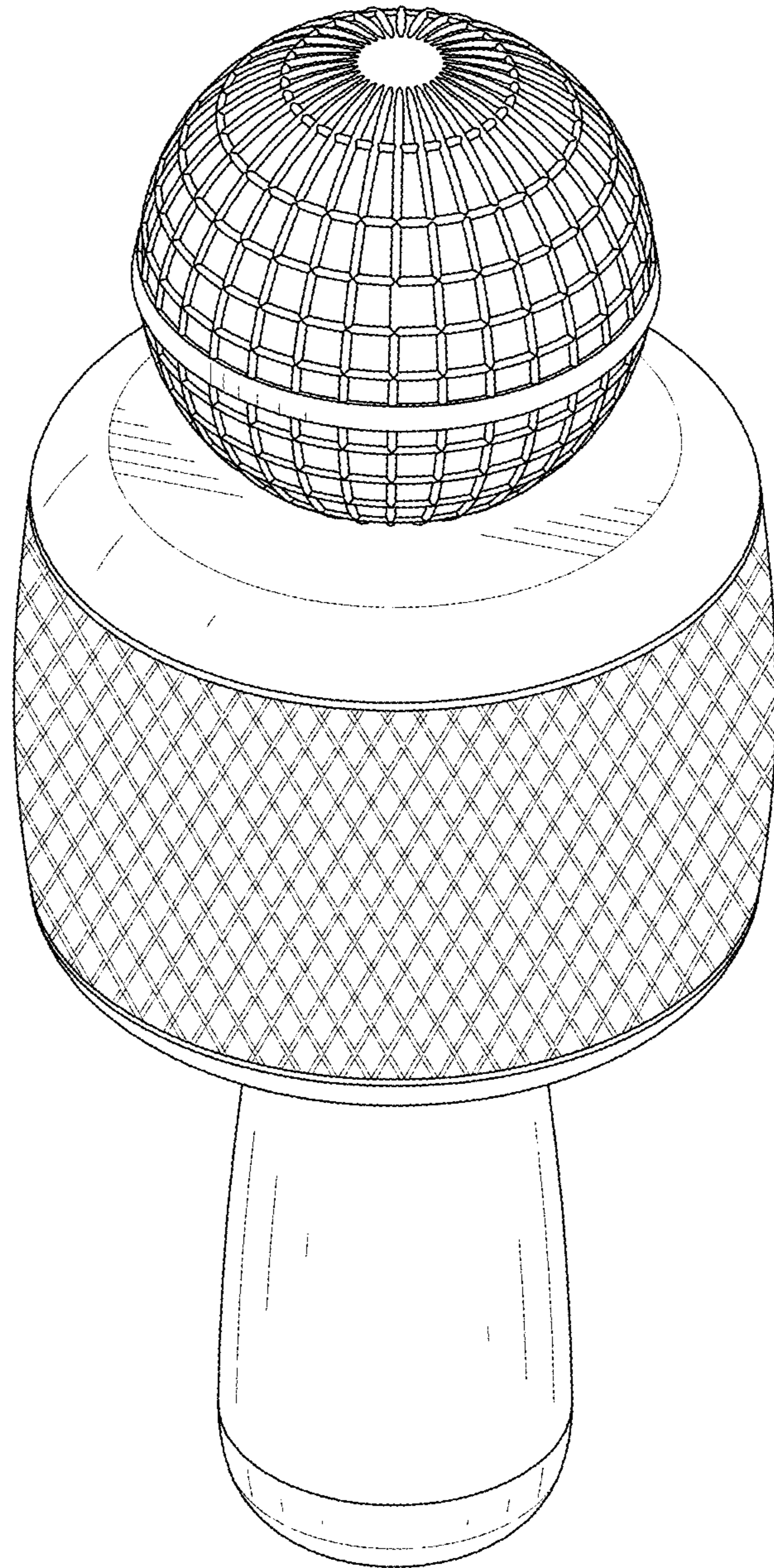


FIG. 1

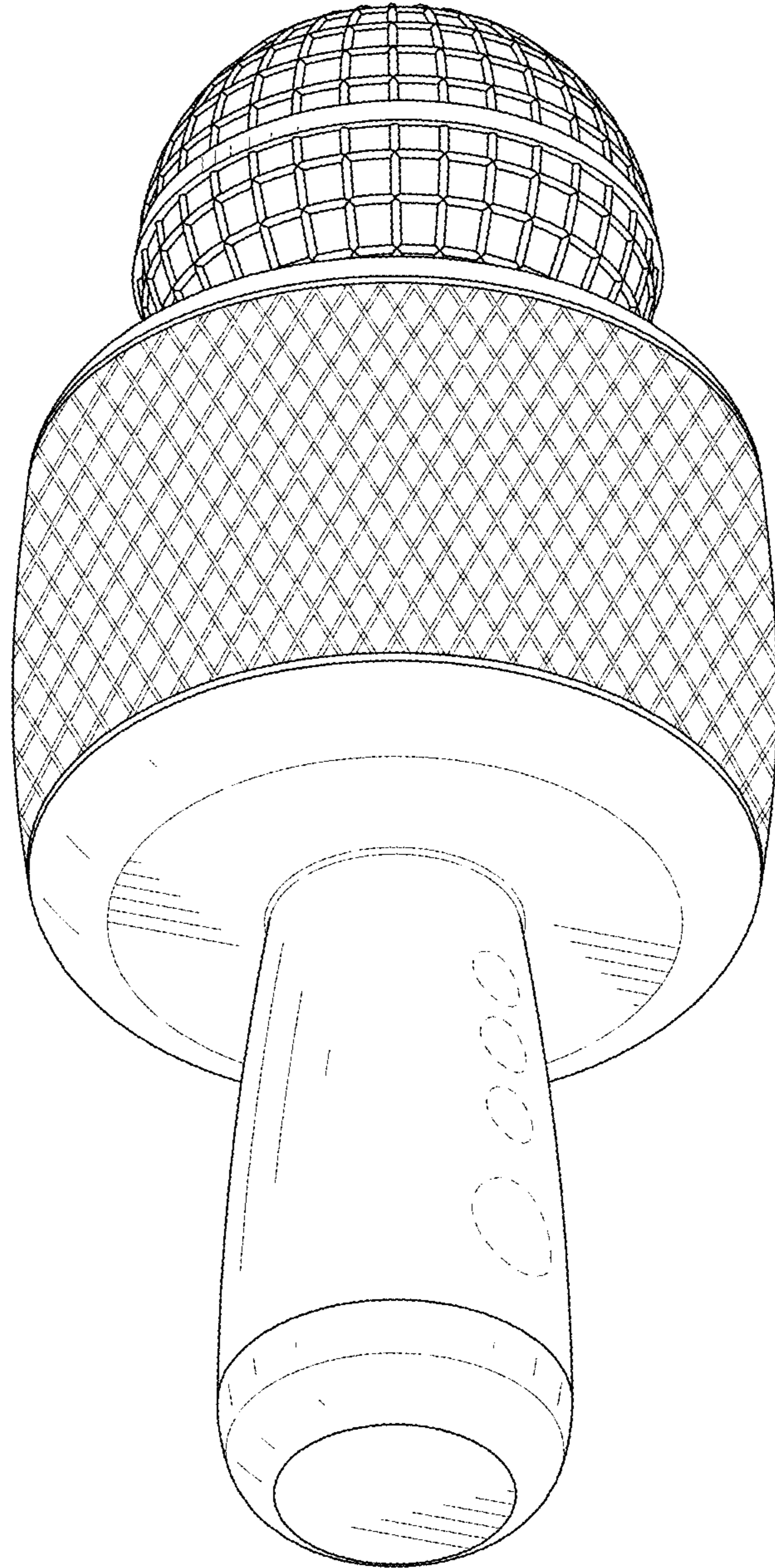


FIG. 2

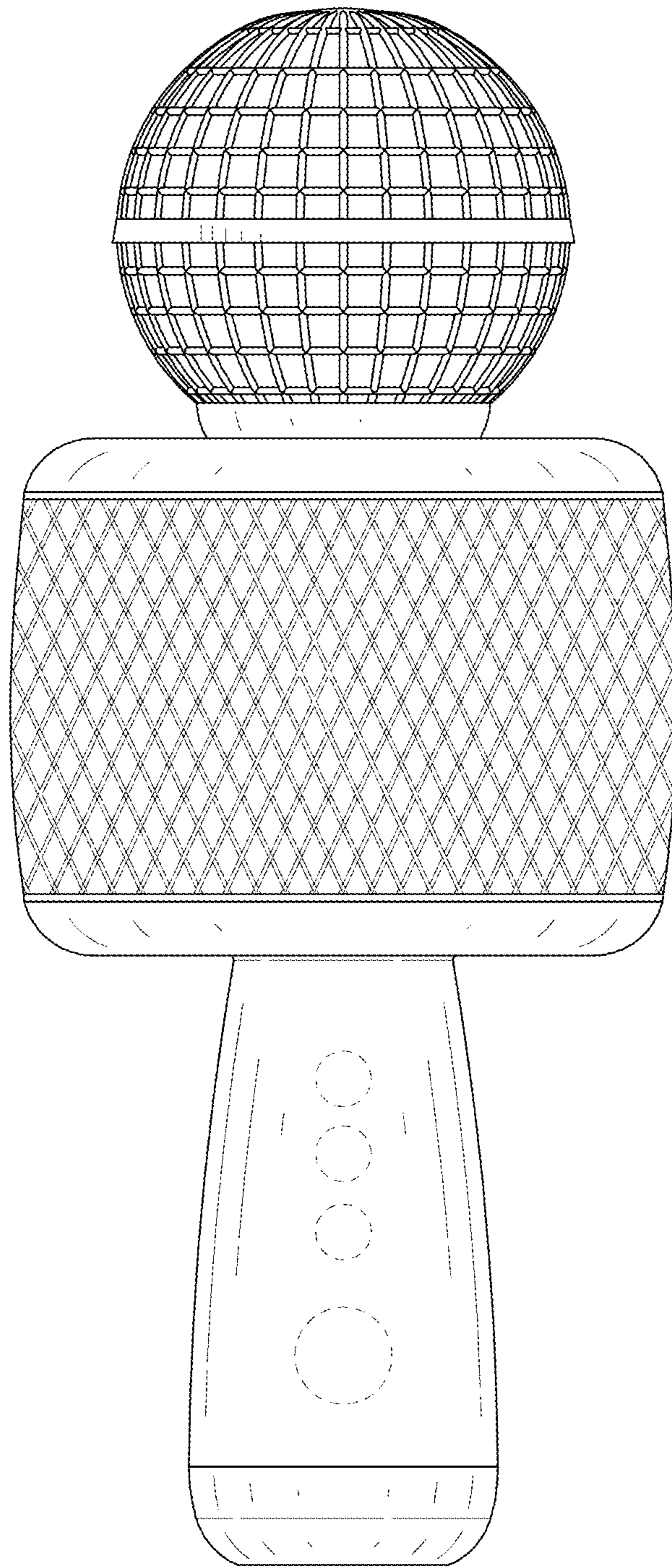


FIG. 3

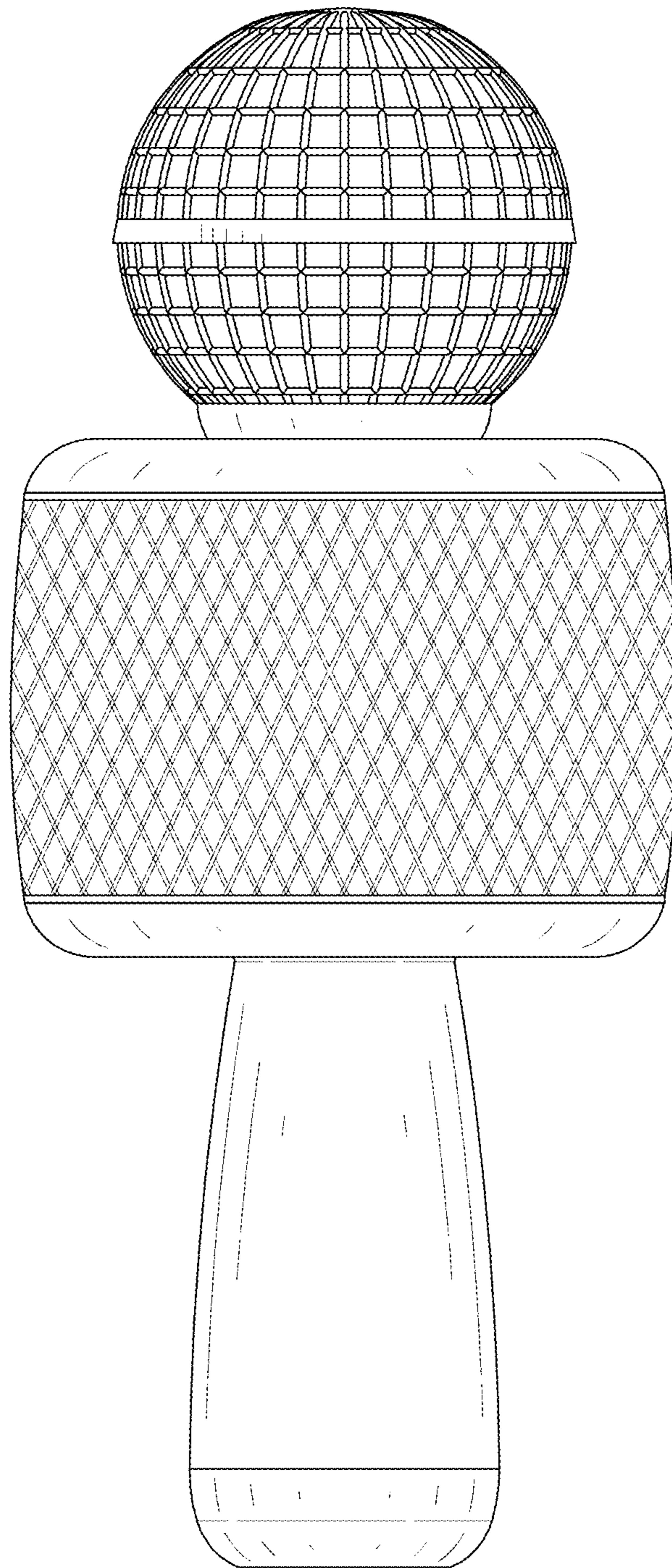


FIG. 4

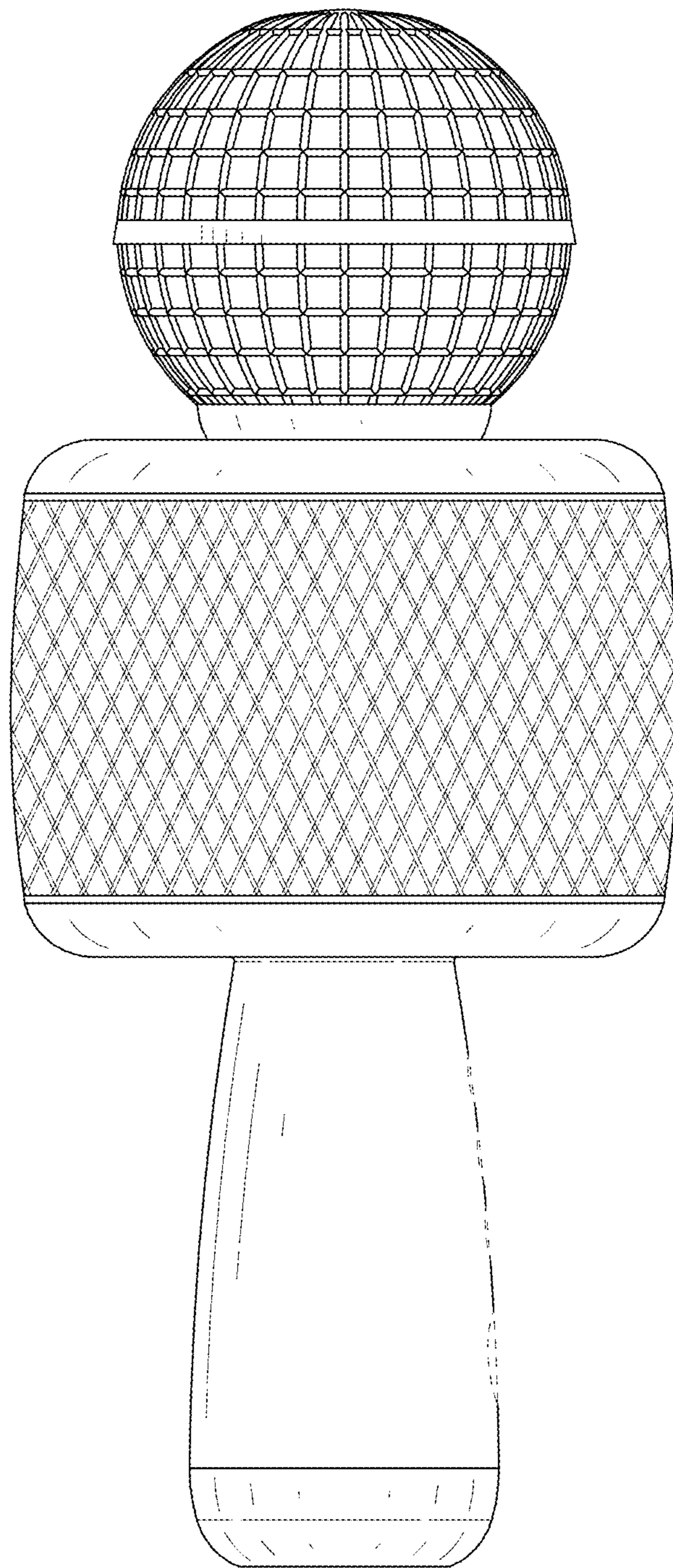


FIG. 5

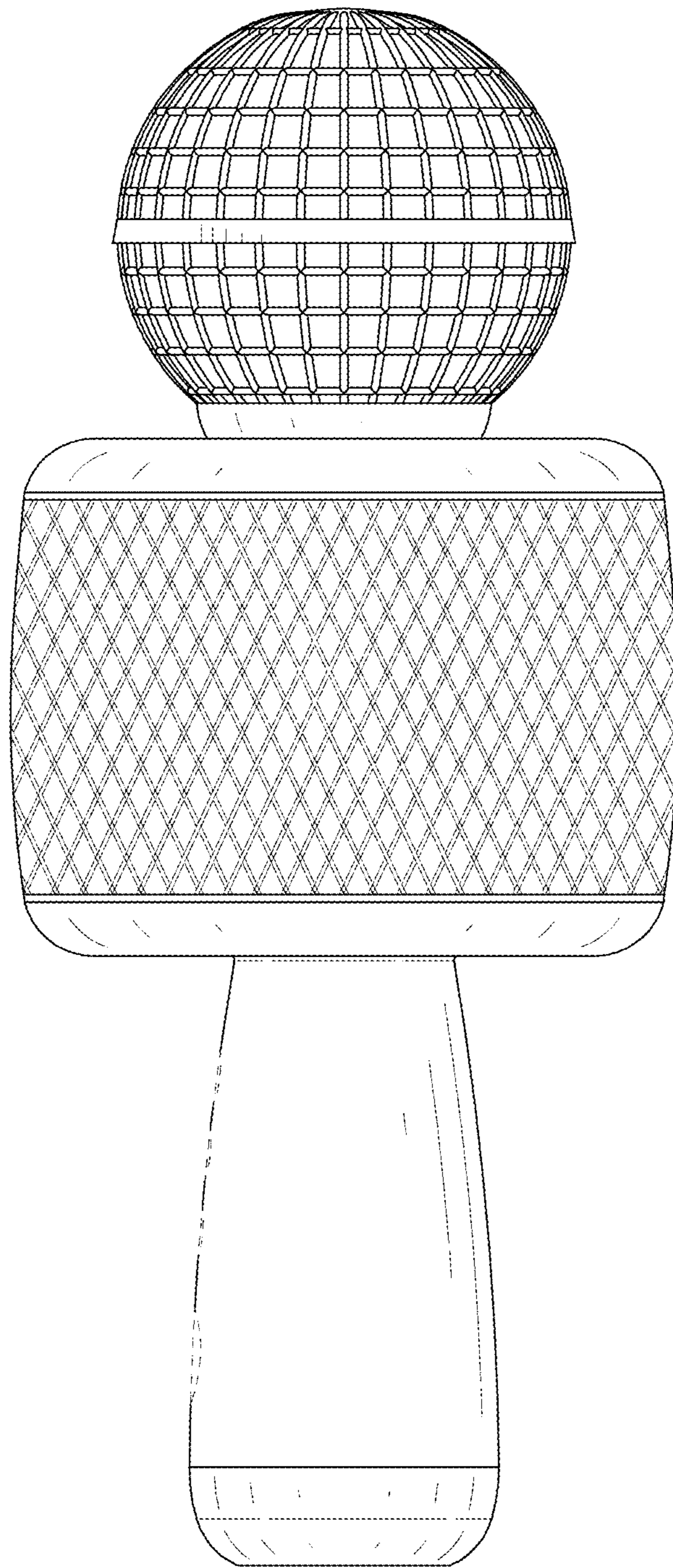


FIG. 6

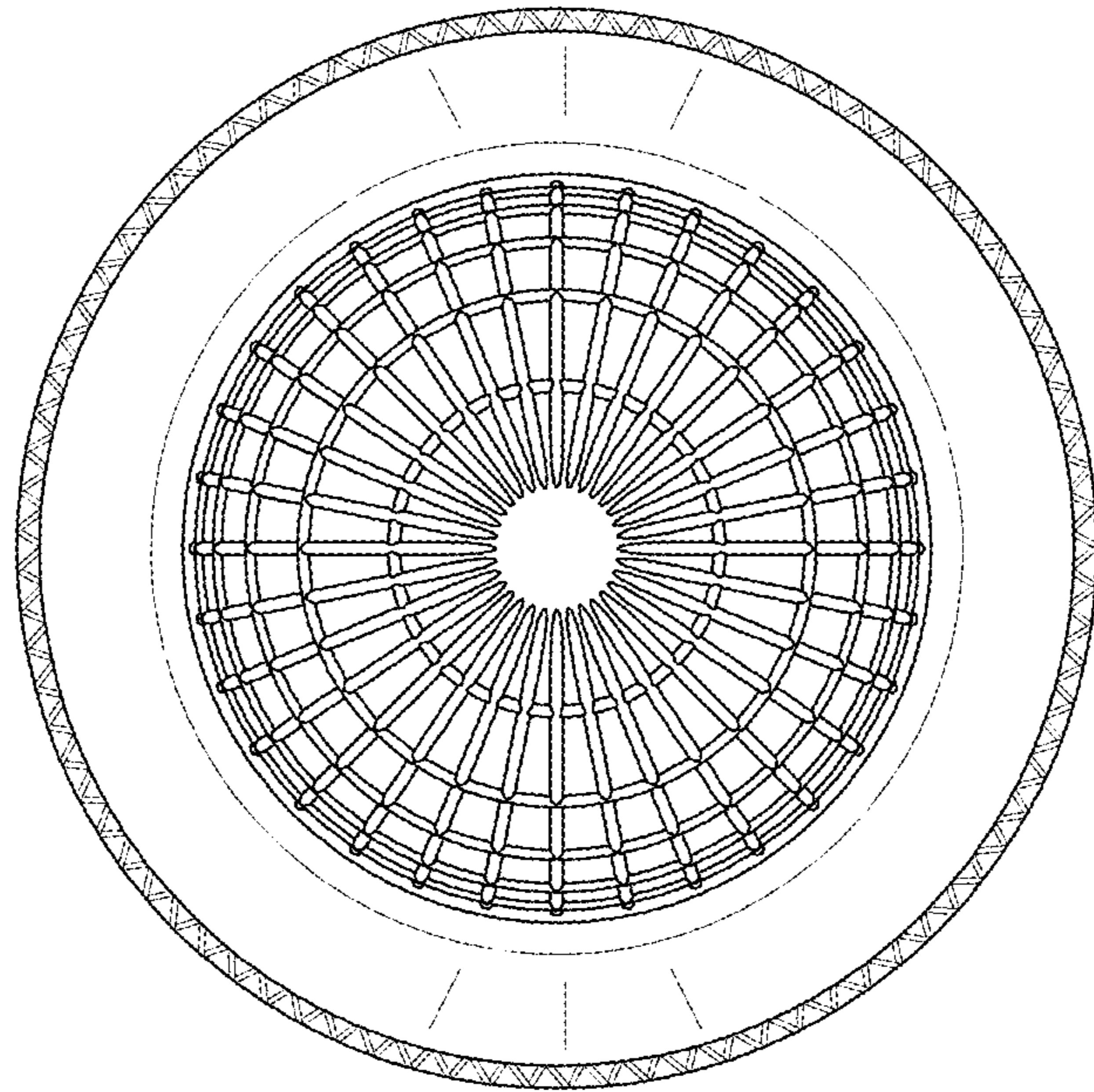


FIG. 7

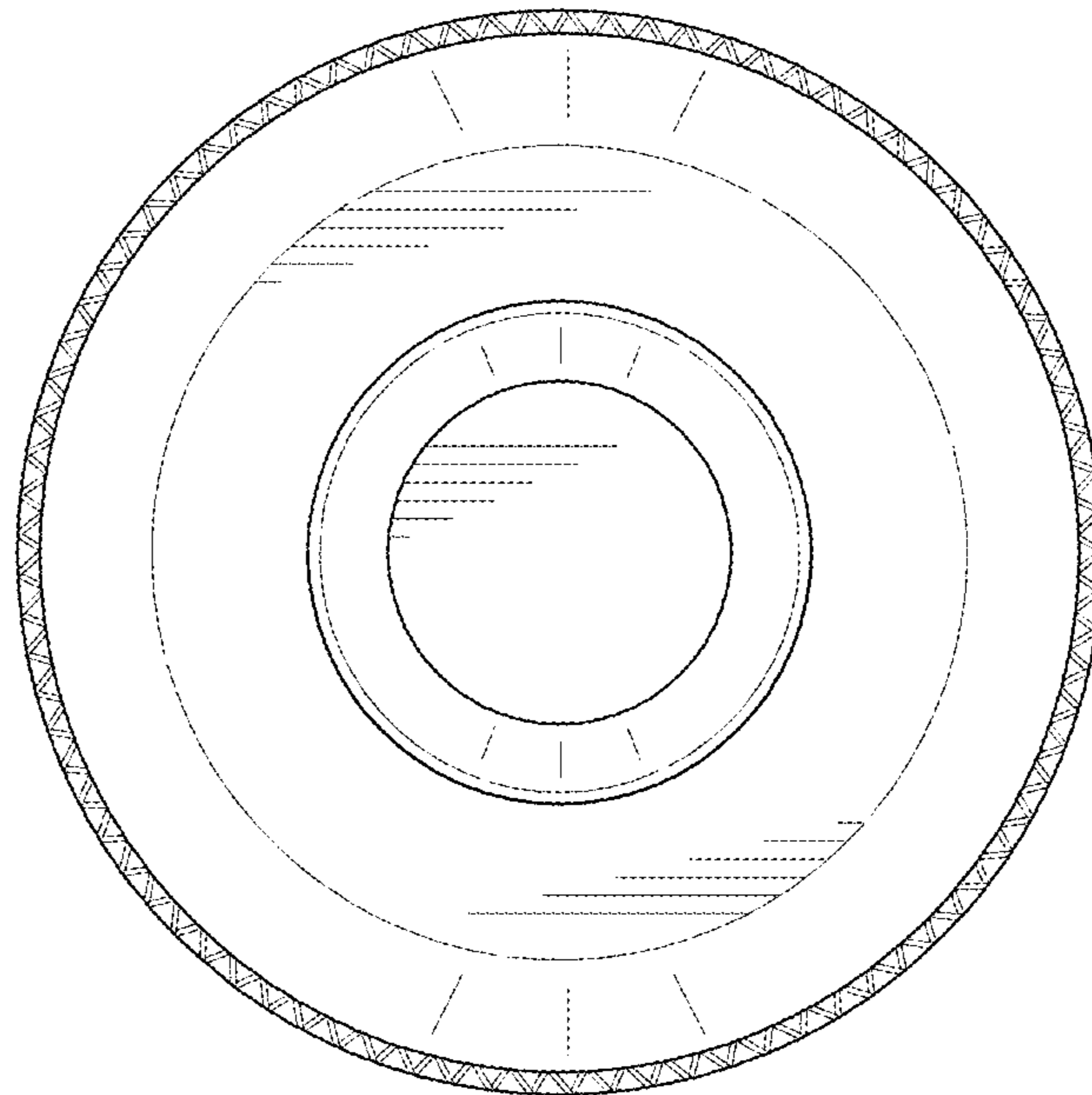


FIG. 8