



US00D953306S

(12) **United States Design Patent**  
**Zhang**

(10) **Patent No.:** **US D953,306 S**

(45) **Date of Patent:** **\*\* May 31, 2022**

(54) **WIRELESS SENDING MICROPHONE**

(71) Applicant: **Zhizhen Audio Technology**  
**(Dongguan) Co., Ltd.**, Guangdong  
Province (CN)

(72) Inventor: **Chao Zhang**, Hunan Province (CN)

(\*\*) Term: **15 Years**

(21) Appl. No.: **29/760,828**

(22) Filed: **Dec. 4, 2020**

(51) **LOC (13) Cl.** ..... **14-01**

(52) **U.S. Cl.**  
USPC ..... **D14/226**; D14/155; D14/188

(58) **Field of Classification Search**  
USPC ..... D14/150, 154, 155, 158, 160, 172, 188,  
D14/221, 224, 225, 226, 227, 228, 229;  
D17/99; D21/405, 513  
CPC ..... H04R 19/00; H04R 19/04; H04R 1/04;  
H04R 1/08; H04R 1/326; H04R 1/406;  
H04R 29/004; H04R 2410/00; H04R  
2410/01; H04R 2410/03; H04R 2410/05;  
H04R 2410/07; H04R 2420/07; H04R  
17/02

See application file for complete search history.

(56) **References Cited**

**U.S. PATENT DOCUMENTS**

D255,882 S *	7/1980	Kim	.....	D14/155
D263,709 S *	4/1982	Ando	.....	D14/155
D268,783 S *	4/1983	Henshaw	.....	D24/167
D278,905 S *	5/1985	Scheid	.....	D14/191
D281,600 S *	12/1985	Claxton	.....	D14/191
D292,288 S *	10/1987	Schwartz	.....	D14/218
D293,088 S *	12/1987	Brown	.....	D10/106.1
D307,012 S *	4/1990	Berkheij	.....	D14/191
D321,877 S *	11/1991	Scheid	.....	D14/191
D345,314 S *	3/1994	Chandra	.....	D14/185
5,319,349 A *	6/1994	Smith, III	.....	G08B 21/24 24/3.11
D375,743 S *	11/1996	Nishii	.....	D14/191

D387,765 S *	12/1997	Brassard	.....	D14/218
D388,089 S *	12/1997	Komamiya	.....	D14/191
D395,836 S *	7/1998	Morelli, Jr.	.....	D10/106.1
D401,176 S *	11/1998	Coupel	.....	D10/104.1

(Continued)

**FOREIGN PATENT DOCUMENTS**

CN	306907378	*	10/2021
CN	307034653	*	12/2021
CN	307048415	*	1/2022

**OTHER PUBLICATIONS**

Pixel UHF, first available May 7, 2020 [online], [retrieved Feb. 28, 2022]. Available from the Internet, URL:<[https://www.amazon.com/dp/B0888Q5M7V/ref=cm\\_sw\\_em\\_r\\_mt\\_dp\\_F7A8VK303PJ62D00RT1B](https://www.amazon.com/dp/B0888Q5M7V/ref=cm_sw_em_r_mt_dp_F7A8VK303PJ62D00RT1B)>. (Year: 2020).\*

(Continued)

*Primary Examiner* — Dana K Weiland  
*Assistant Examiner* — Russell Carnell Smith, Jr.

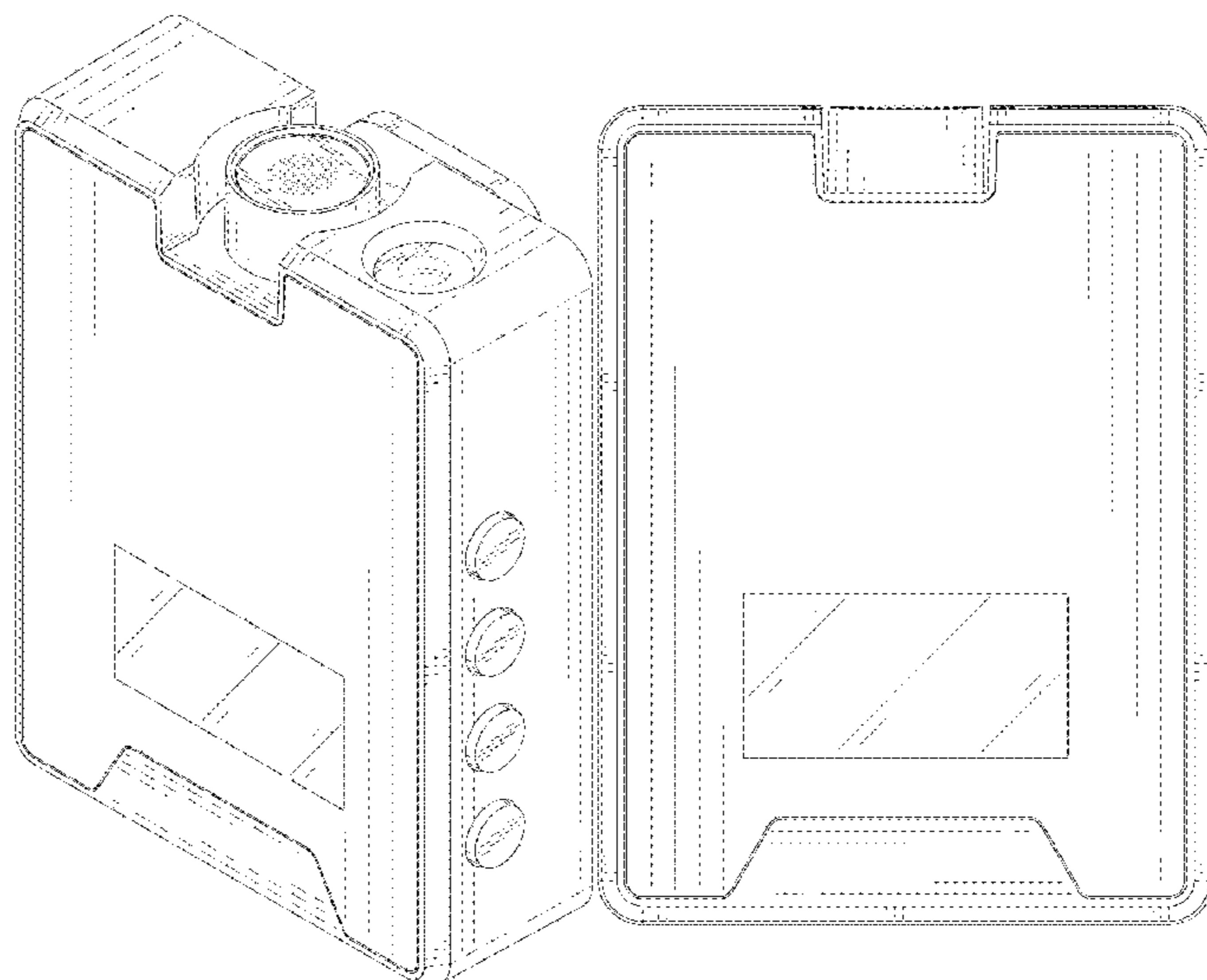
(57) **CLAIM**

The ornamental design for a wireless sending microphone, as shown and described.

**DESCRIPTION**

FIG. 1 is a front and top perspective view of a wireless sending microphone, showing my new design; FIG. 2 is a rear and bottom perspective view thereof; FIG. 3 is a front elevational view thereof; FIG. 4 is a rear elevational view thereof; FIG. 5 is a left side elevational view thereof; FIG. 6 is a right side elevational view thereof; FIG. 7 is a top plan view thereof; and, FIG. 8 is a bottom plan view thereof. The dashed broken lines in the figures illustrate portions of the wireless sending microphone that form no part of the claimed design.

**1 Claim, 8 Drawing Sheets**



(56)

**References Cited**

## U.S. PATENT DOCUMENTS

D439,243 S \* 3/2001 Miyazaki ..... D14/137  
D458,865 S \* 6/2002 Beard ..... D10/106.1  
D496,346 S \* 9/2004 Fuss ..... D14/188  
D540,774 S \* 4/2007 Alwicker ..... D14/155  
D595,684 S \* 7/2009 Ganley ..... D14/155  
D678,531 S \* 3/2013 Patil ..... D24/186  
D711,346 S \* 8/2014 Ismail ..... D14/137  
D823,274 S \* 7/2018 Hu ..... D14/155  
D906,274 S \* 12/2020 Nakamura ..... D14/188  
D912,006 S \* 3/2021 Xiang ..... D14/155

## OTHER PUBLICATIONS

UHF Wireless, first available Dec. 13, 2021 [online], [retrieved Feb. 28, 2022]. Available from the Internet, URL:<[https://www.amazon.com/dp/B09NKPMW3/ref=cm\\_sw\\_em\\_r\\_mt\\_dp\\_9XA0ESYMR6HTSZ5FM5E4?\\_encoding=UTF8&psc=1](https://www.amazon.com/dp/B09NKPMW3/ref=cm_sw_em_r_mt_dp_9XA0ESYMR6HTSZ5FM5E4?_encoding=UTF8&psc=1)>. (Year: 2021).\*

Fulaim WM400, first available Sep. 28, 2021 [online], [retrieved Feb. 28, 2022]. Available from the Internet, URL:<[https://www.amazon.com/dp/B09HCGLQRR/ref=cm\\_sw\\_em\\_r\\_mt\\_dp\\_AEXJEGNSDQ9X00DZZ5WP](https://www.amazon.com/dp/B09HCGLQRR/ref=cm_sw_em_r_mt_dp_AEXJEGNSDQ9X00DZZ5WP)>. (Year: 2021).\*

UHF Wireless Lavalier, first available Sep. 3, 2021 [online], [retrieved Feb. 28, 2022]. Available from the Internet, URL:<[https://www.amazon.com/dp/B09FD6JX4H/ref=cm\\_sw\\_em\\_r\\_mt\\_dp\\_STHQVSYK7QG62Y3K1WNJ?\\_encoding=UTF8&psc=1](https://www.amazon.com/dp/B09FD6JX4H/ref=cm_sw_em_r_mt_dp_STHQVSYK7QG62Y3K1WNJ?_encoding=UTF8&psc=1)>. (Year: 2021).\*

\* cited by examiner

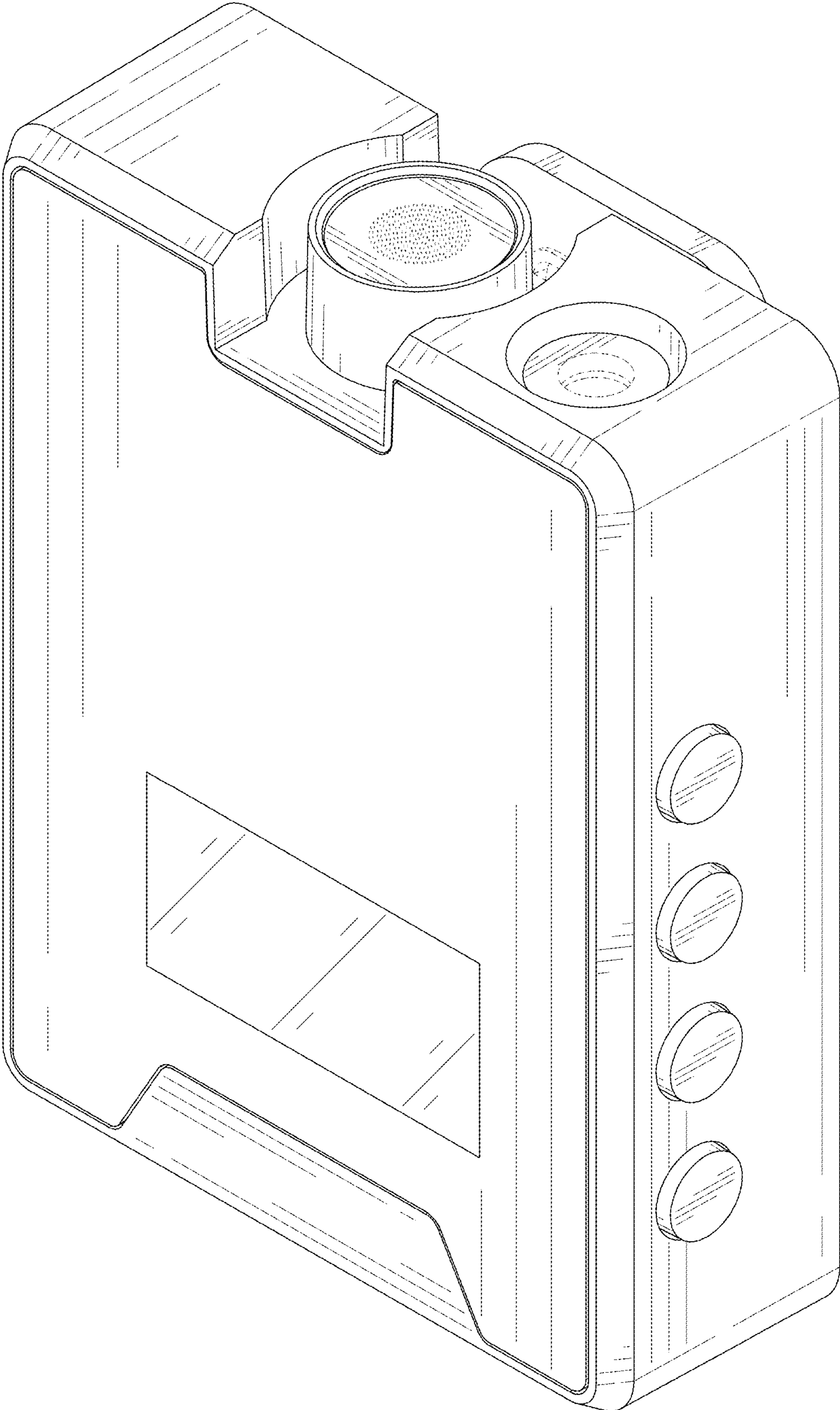


FIG. 1



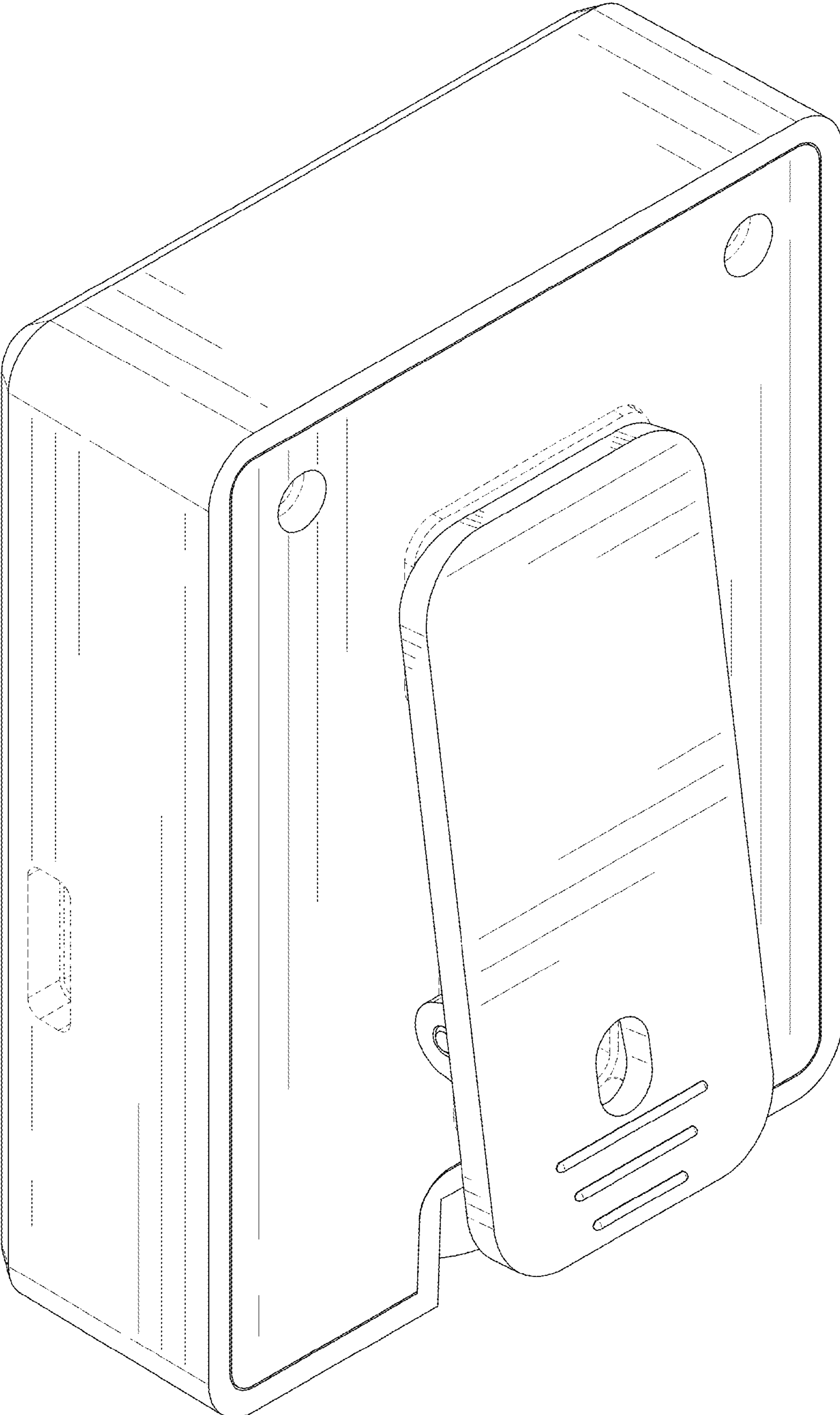


FIG. 2

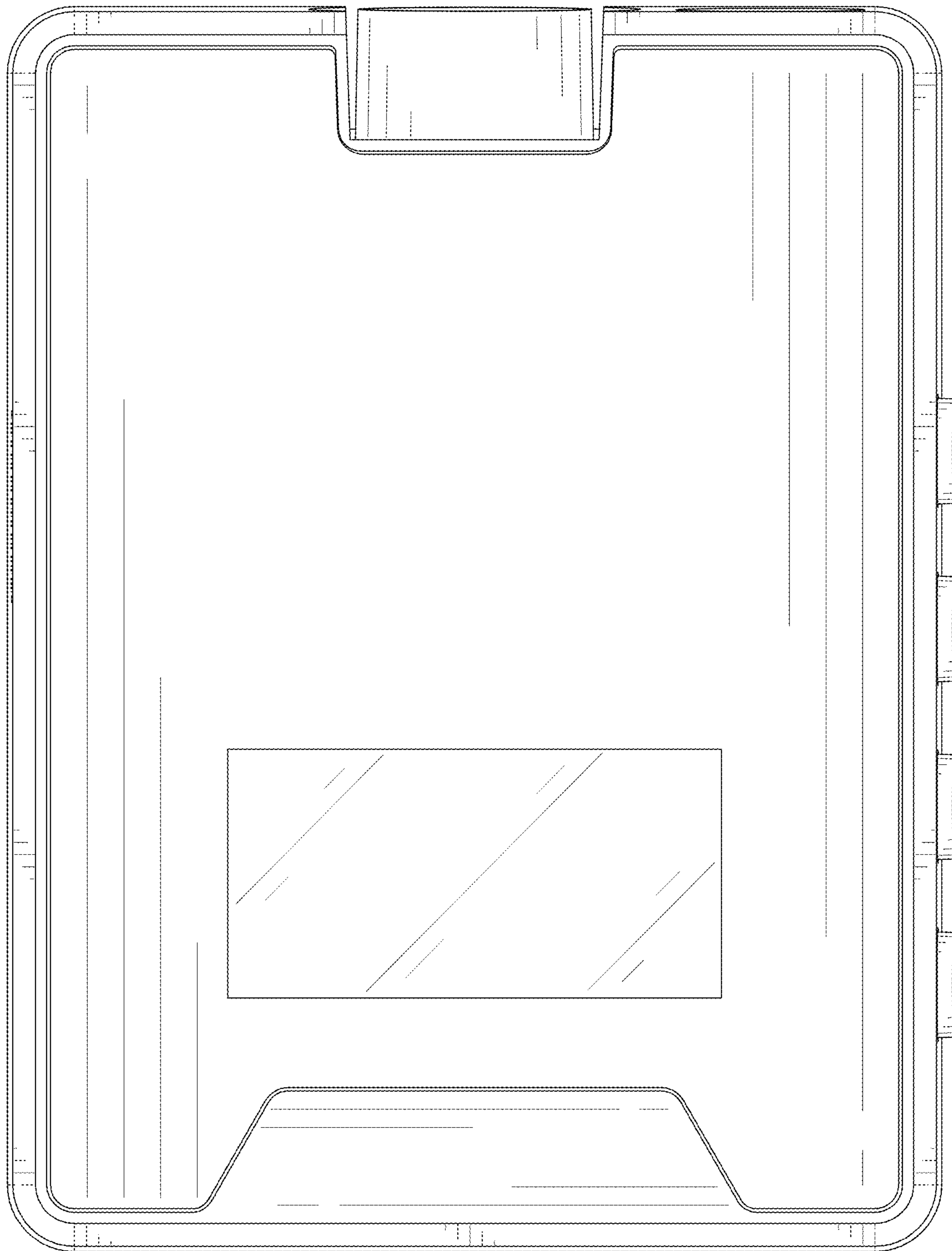


FIG. 3

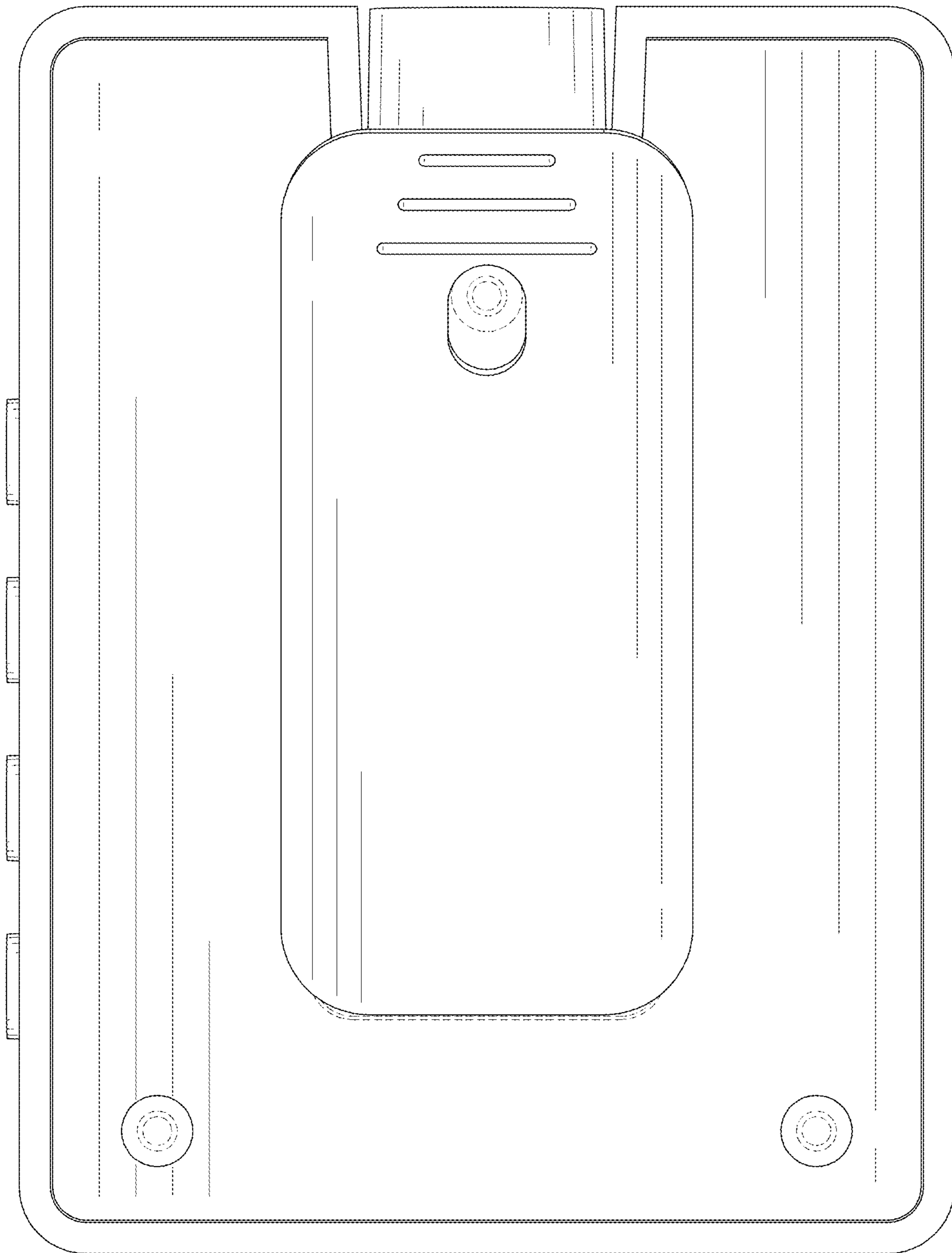


FIG. 4

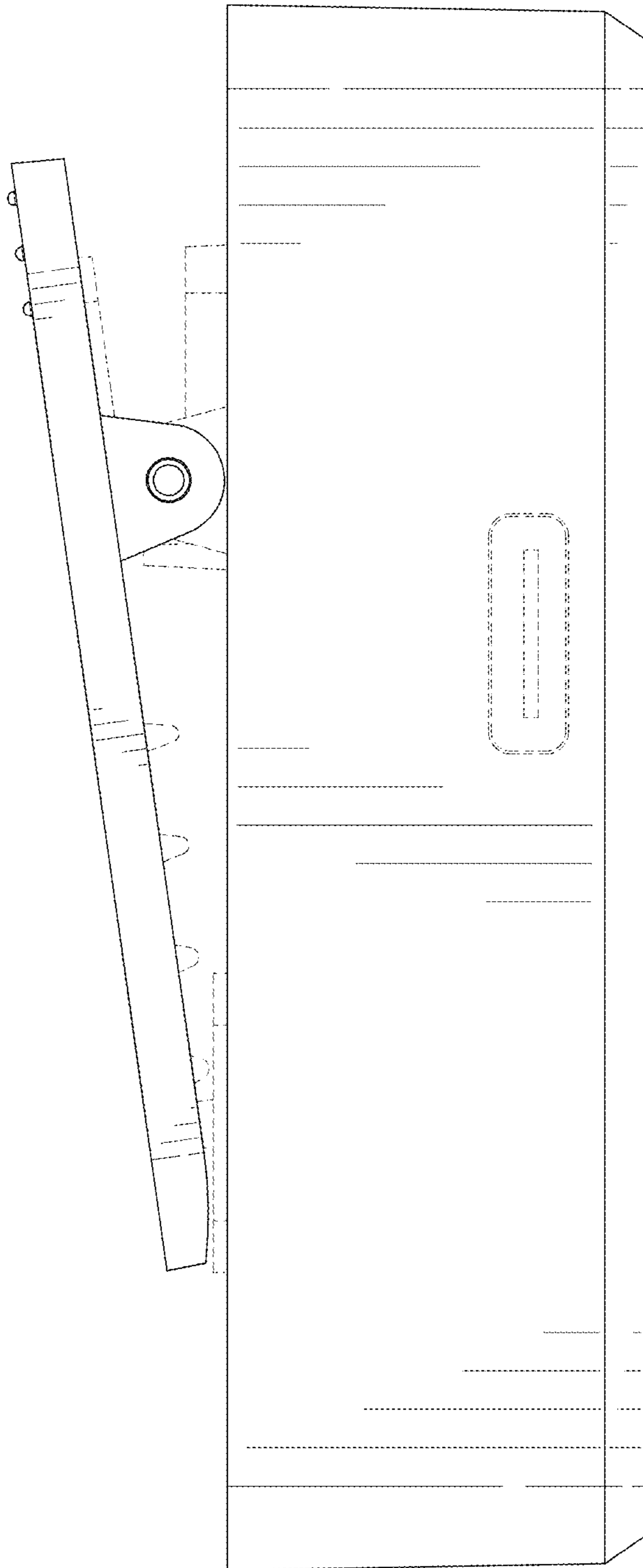


FIG. 5

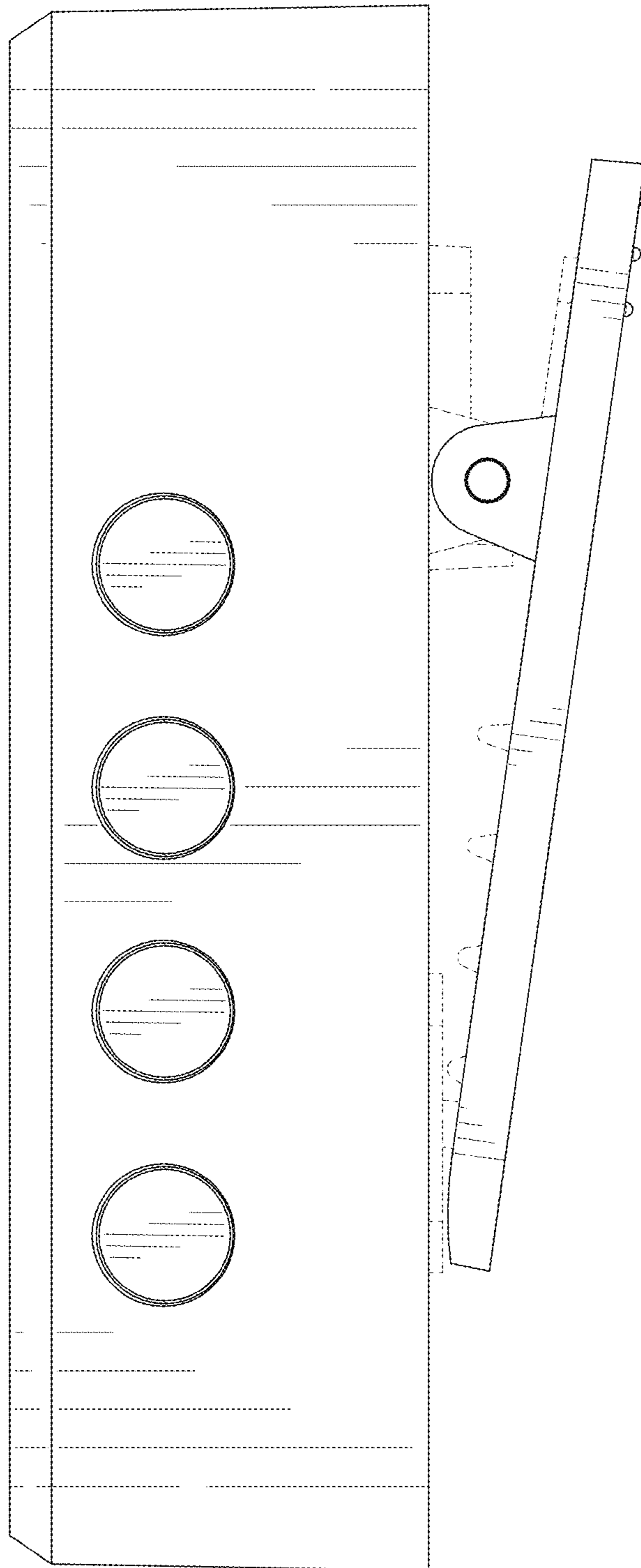


FIG. 6



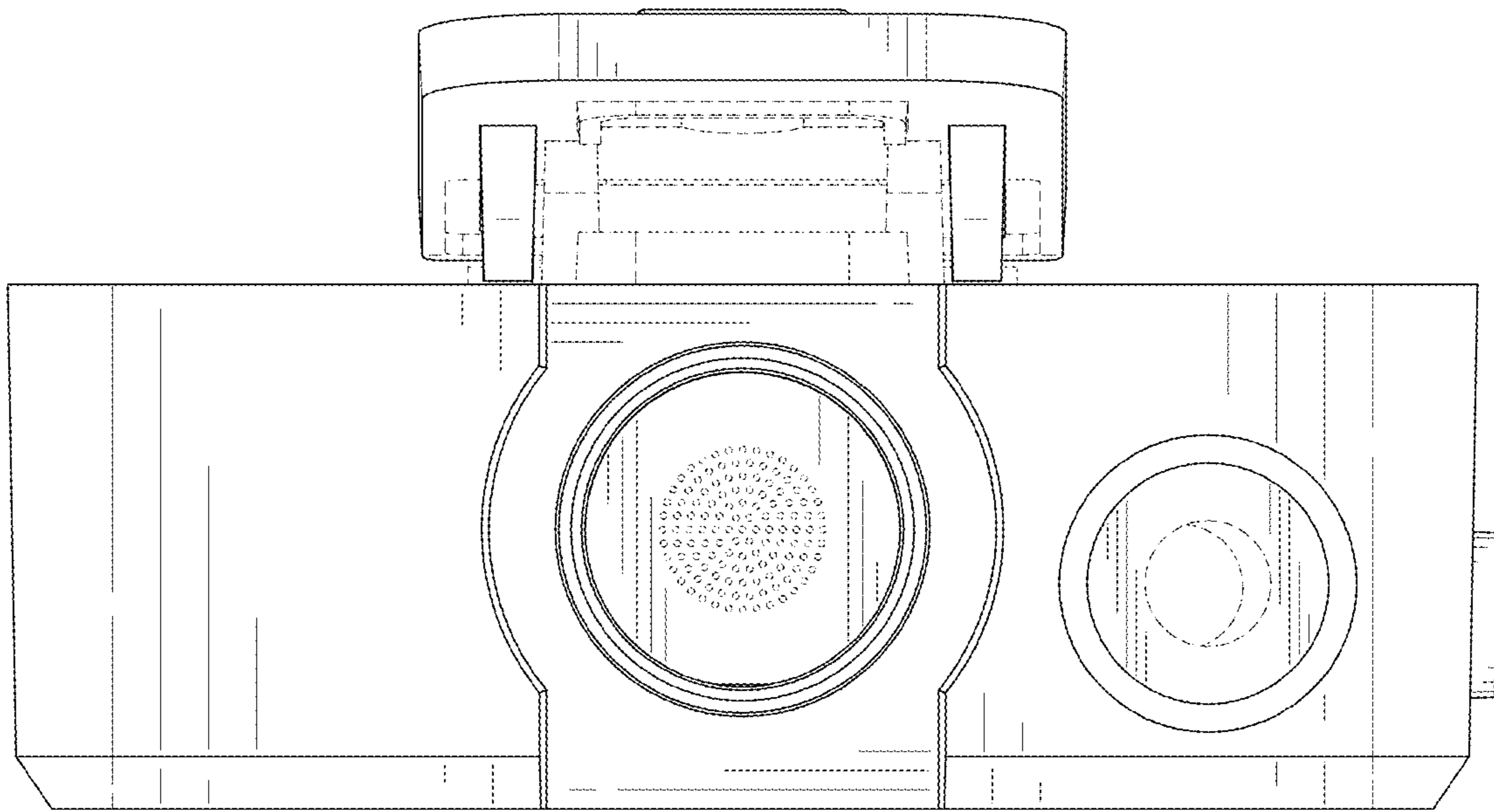


FIG. 7

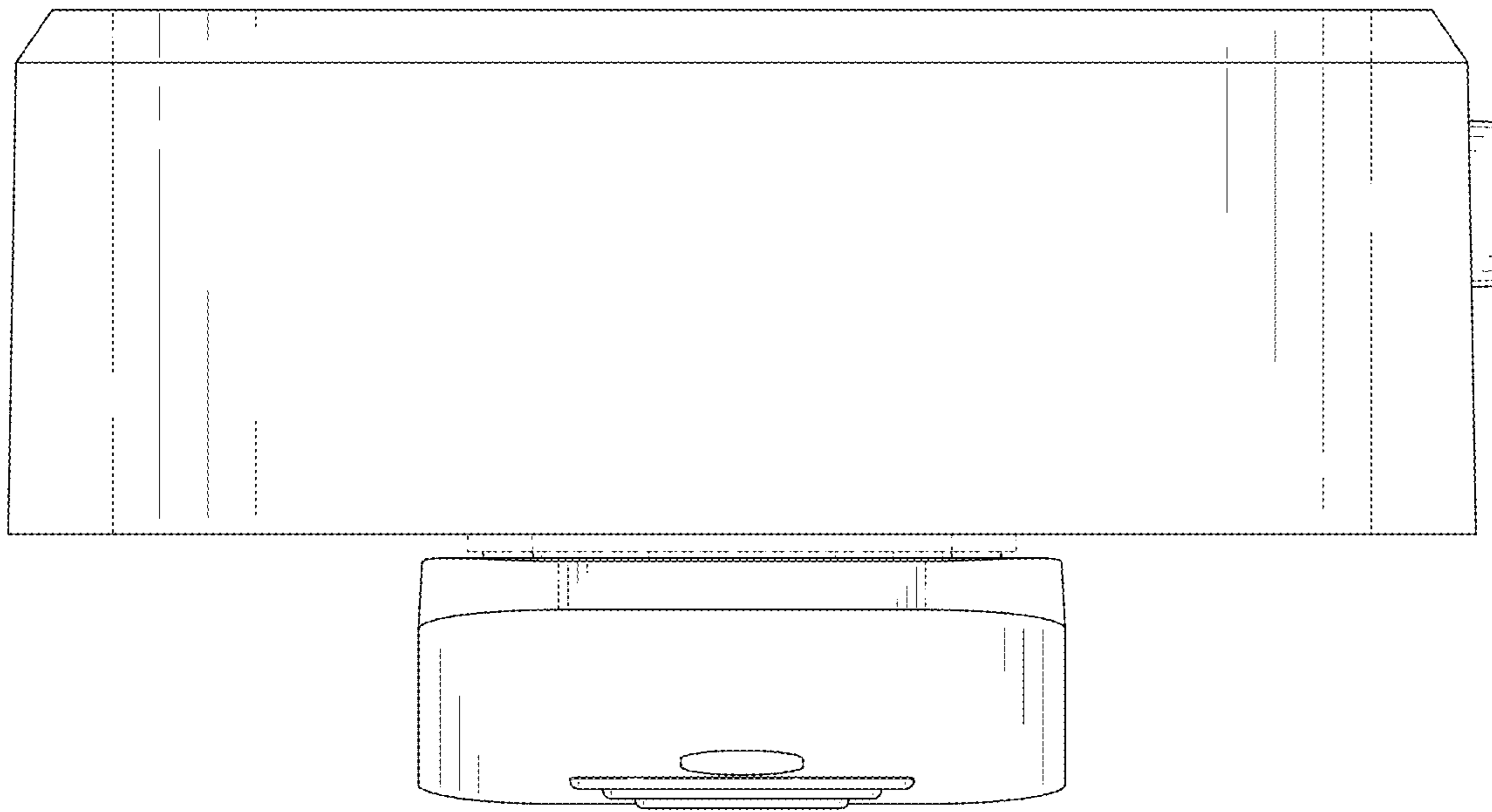


FIG. 8