



US00D953305S

(12) **United States Design Patent**
Zhang

(10) **Patent No.:** **US D953,305 S**

(45) **Date of Patent:** **** May 31, 2022**

(54) **WIRELESS RECEIVING MICROPHONE**

(71) Applicant: **Zhizhen Audio Technology (Dongguan) Co., Ltd.**, Guangdong Province (CN)

(72) Inventor: **Chao Zhang**, Hunan Province (CN)

(**) Term: **15 Years**

(21) Appl. No.: **29/760,827**

(22) Filed: **Dec. 4, 2020**

(51) **LOC (13) Cl.** **14-01**

(52) **U.S. Cl.**
USPC **D14/226**; D14/188; D14/155

(58) **Field of Classification Search**
USPC D14/150, 154, 155, 158, 160, 172, 188, D14/221, 224, 225, 226, 227, 228, 229; D17/99; D21/405, 513
CPC H04R 19/00; H04R 19/04; H04R 1/04; H04R 1/08; H04R 1/326; H04R 1/406; H04R 29/004; H04R 2410/00; H04R 2410/01; H04R 2410/03; H04R 2410/05; H04R 2410/07; H04R 2420/07; H04R 17/02

See application file for complete search history.

(56) **References Cited**

U.S. PATENT DOCUMENTS

- D255,882 S * 7/1980 Kim D14/155
- D263,709 S * 4/1982 Ando D14/155
- D268,783 S * 4/1983 Henshaw D24/167
- D278,905 S * 5/1985 Scheid D14/191
- D281,600 S * 12/1985 Claxton D14/191
- D292,288 S * 10/1987 Schwartz D14/218
- D293,088 S * 12/1987 Brown D10/106.1
- D307,012 S * 4/1990 Berkheij D14/191
- D321,877 S * 11/1991 Scheid D14/191
- D345,314 S * 3/1994 Chandra D14/185
- 5,319,349 A * 6/1994 Smith, III G08B 21/24
24/3.11
- D375,743 S * 11/1996 Nishii D14/191

- D387,765 S * 12/1997 Brassard D14/218
- D388,089 S * 12/1997 Komamiya D14/191
- D395,836 S * 7/1998 Morelli, Jr. D10/106.1
- D401,176 S * 11/1998 Coupel D10/104.1

(Continued)

FOREIGN PATENT DOCUMENTS

- CN 306907378 * 10/2021
- CN 307034653 * 12/2021
- CN 307048415 * 1/2022

OTHER PUBLICATIONS

Pixel UHF, first available May 7, 2020 [online], [retrieved Feb. 28, 2022]. Available from the Internet, URL:<https://www.amazon.com/dp/B0888Q5M7V/ref=cm_sw_em_r_mt_dp_F7A8VK303PJ62D00RT1B>. (Year: 2020).*

(Continued)

Primary Examiner — Dana K Weiland
Assistant Examiner — Russell Carnell Smith, Jr.

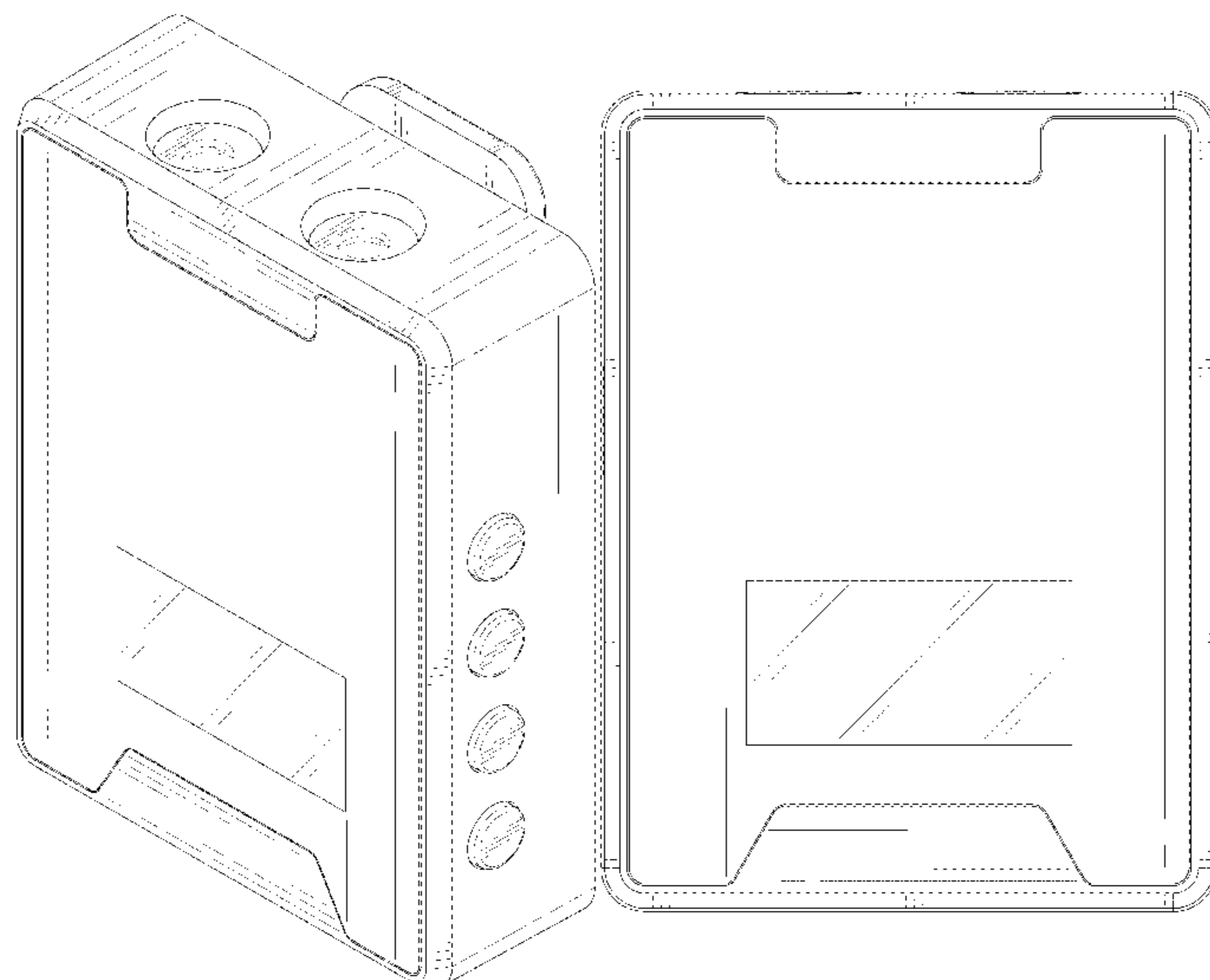
(57) **CLAIM**

The ornamental design for a wireless receiving microphone, as shown and described.

DESCRIPTION

FIG. 1 is a front and top perspective view of a wireless receiving microphone, showing my new design;
FIG. 2 is a rear and bottom perspective view thereof;
FIG. 3 is a front elevational view thereof;
FIG. 4 is a rear elevational view thereof;
FIG. 5 is a left side elevational view thereof;
FIG. 6 is a right side elevational view thereof;
FIG. 7 is a top plan view thereof; and,
FIG. 8 is a bottom plan view thereof.
The dashed broken lines in the figures illustrate portions of the wireless receiving microphone that form no part of the claimed design.

1 Claim, 8 Drawing Sheets



(56)

References Cited

U.S. PATENT DOCUMENTS

D439,243 S * 3/2001 Miyazaki D14/137
D458,865 S * 6/2002 Beard D10/106.1
D496,346 S * 9/2004 Fuss D14/188
D540,774 S * 4/2007 Alwicker D14/155
D595,684 S * 7/2009 Ganley D14/155
D678,531 S * 3/2013 Patil D24/186
D711,346 S * 8/2014 Ismail D14/137
D823,274 S * 7/2018 Hu D14/155
D906,274 S * 12/2020 Nakamura D14/188
D912,006 S * 3/2021 Xiang D14/155

OTHER PUBLICATIONS

UHF Wireless, first available Dec. 13, 2021 [online], [retrieved Feb. 28, 2022]. Available from the Internet, URL:<https://www.amazon.com/dp/B09NKPMW3/ref=cm_sw_em_r_mt_dp_9XA0ESYMR6HTSZ5FM5E4?_encoding=UTF8&psc=1>. (Year: 2021).*

Fulaim WM400, first available Sep. 28, 2021 [online], [retrieved Feb. 28, 2022]. Available from the Internet, URL:<https://www.amazon.com/dp/B09HCGLQRR/ref=cm_sw_em_r_mt_dp_AEXJEGNSDQ9X00DZZ5WP>. (Year: 2021).*

UHF Wireless Lavalier, first available Sep. 3, 2021 [online], [retrieved Feb. 28, 2022]. Available from the Internet, URL:<https://www.amazon.com/dp/B09FD6JX4H/ref=cm_sw_em_r_mt_dp_STHQVSYK7QG62Y3K1WNJ?_encoding=UTF8&psc=1>. (Year: 2021).*

* cited by examiner

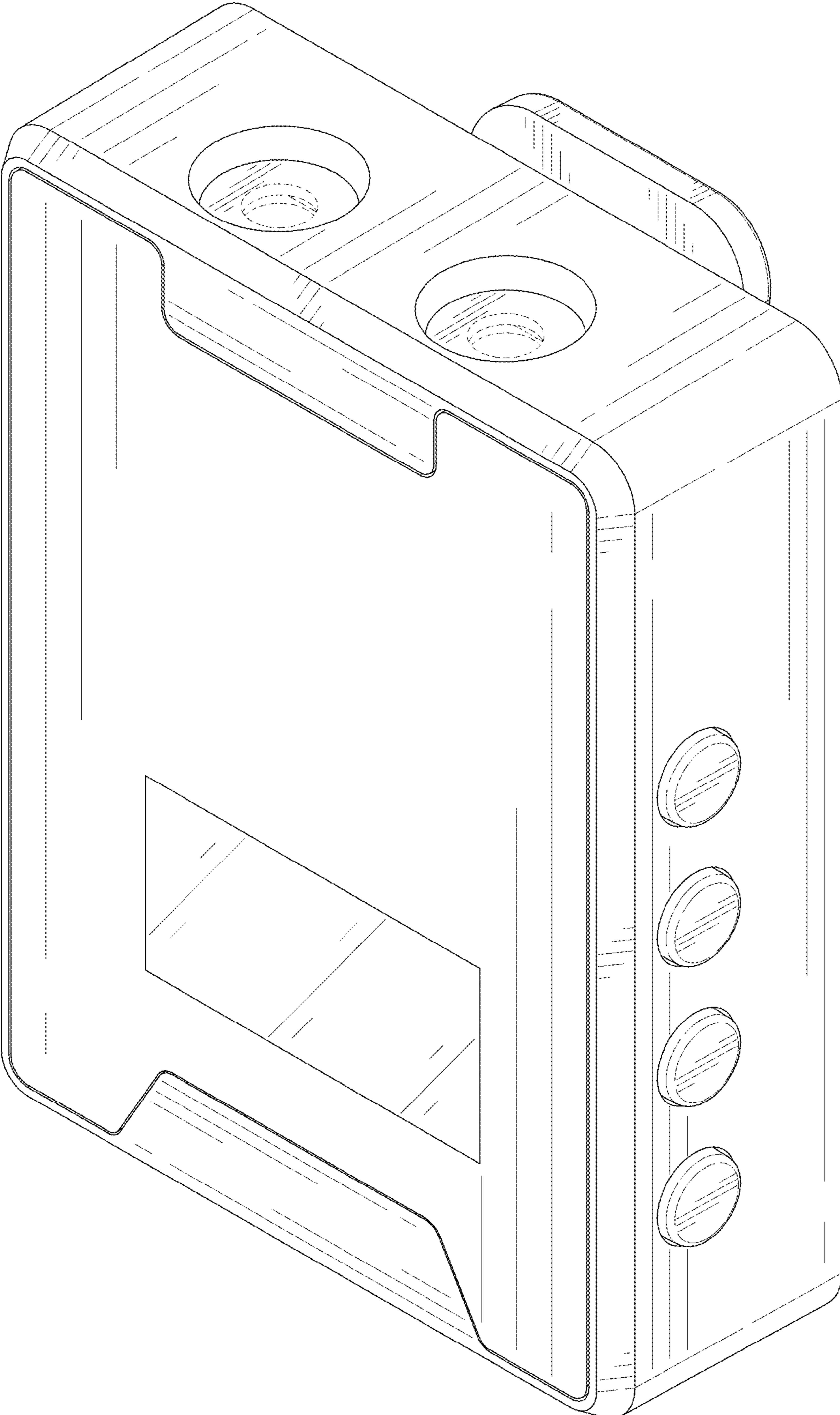


FIG. 1

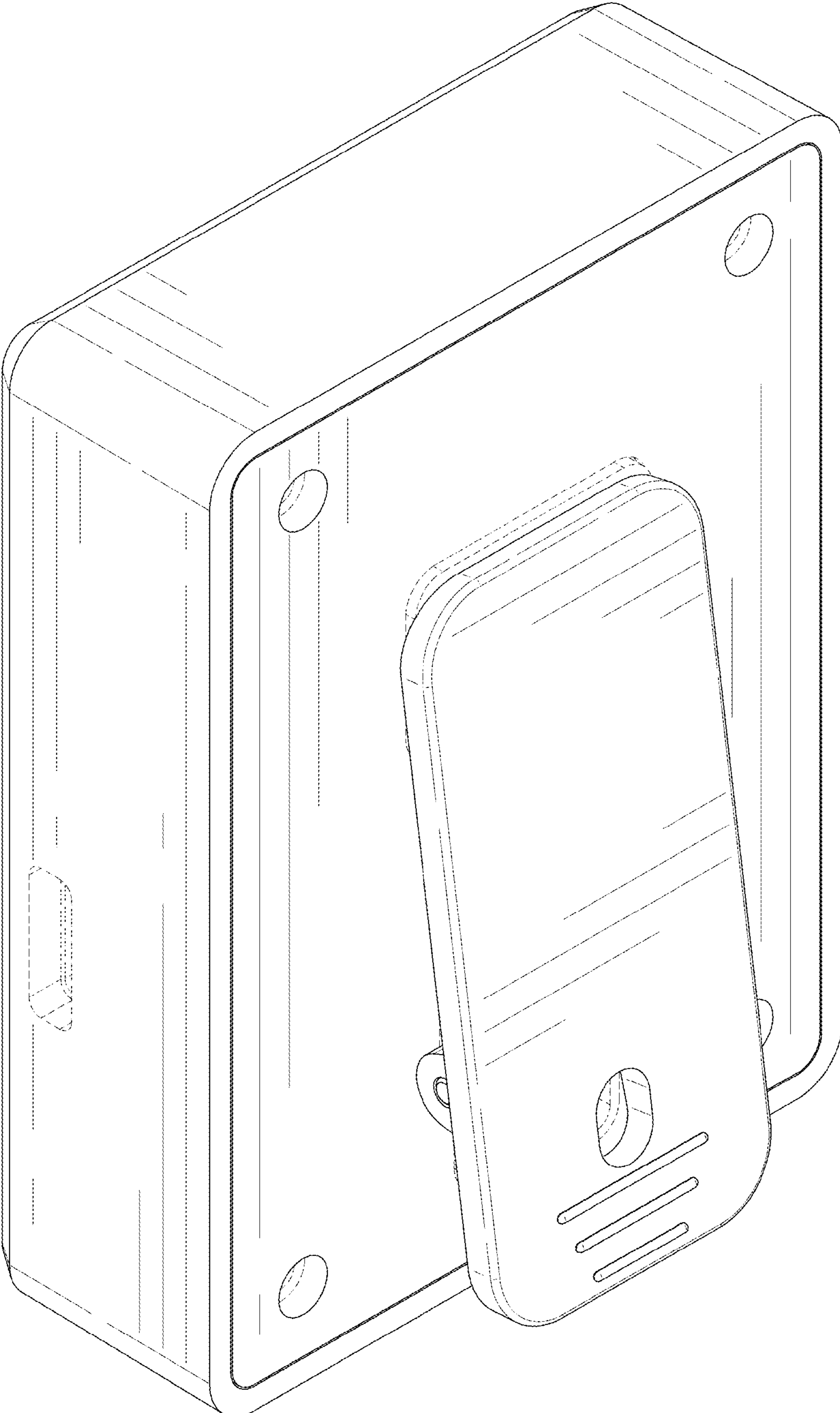


FIG. 2

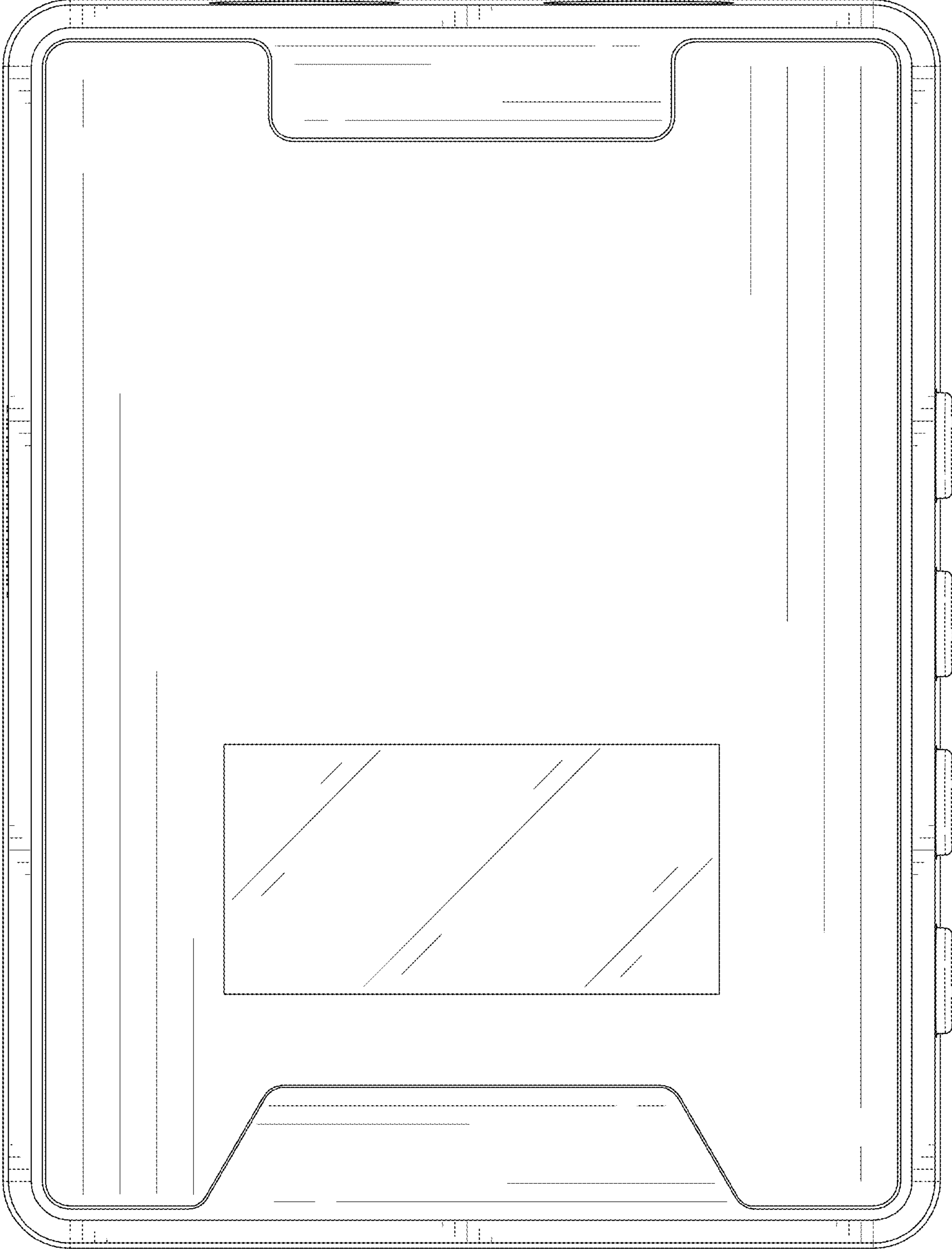


FIG. 3

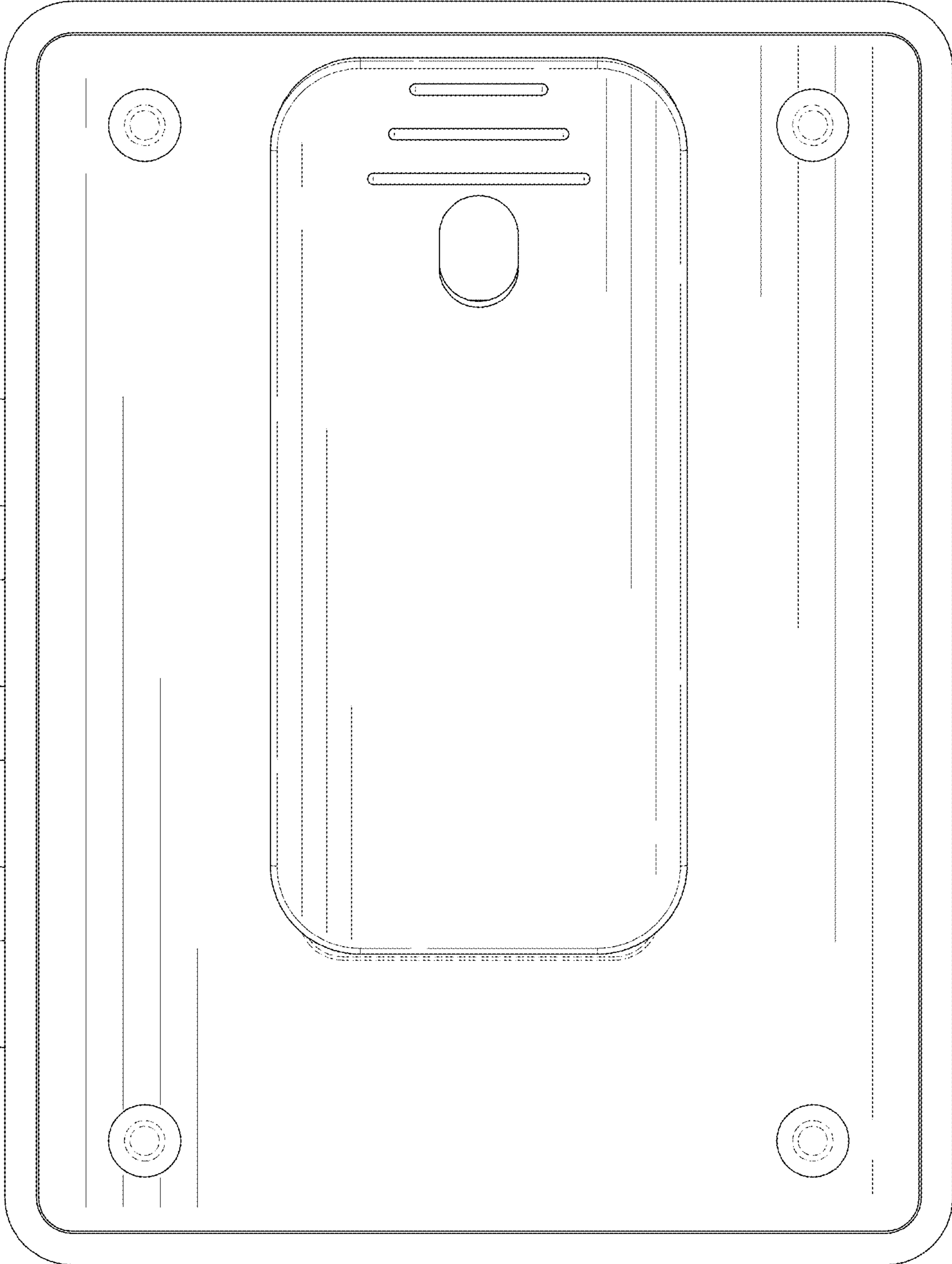


FIG. 4

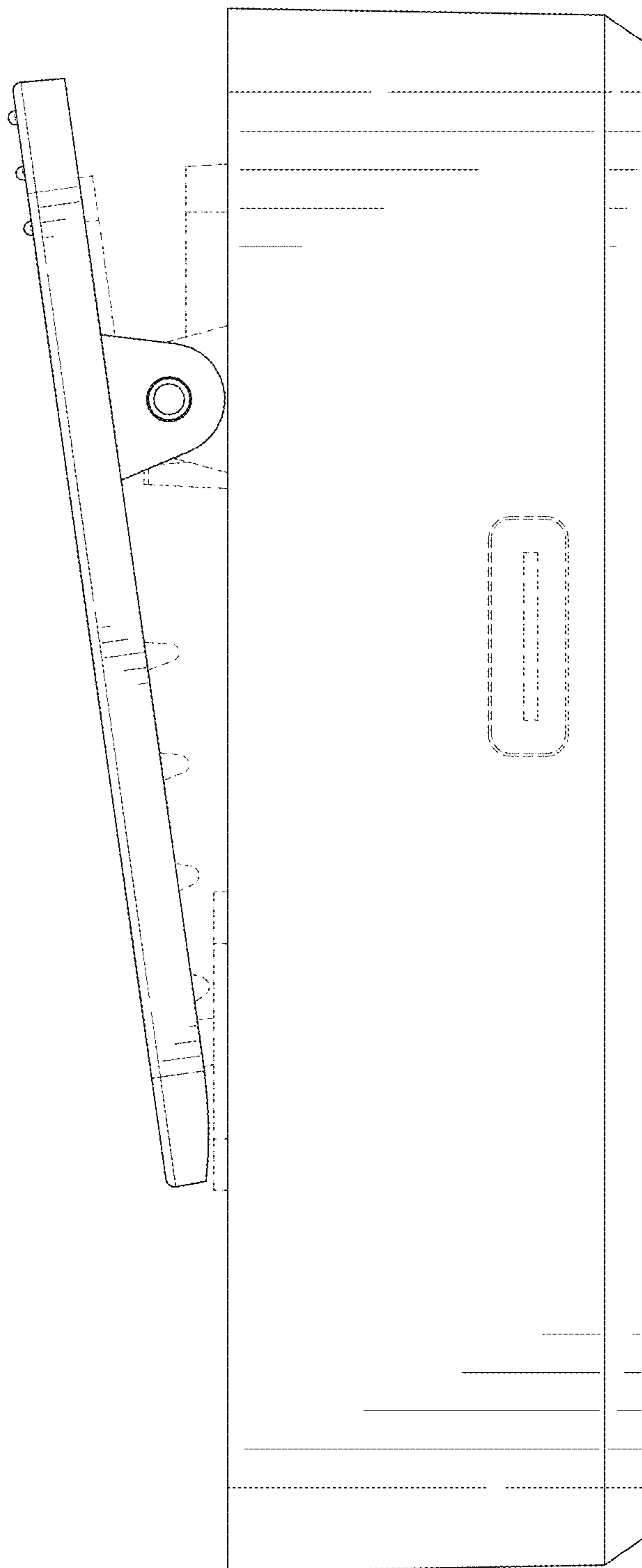


FIG. 5

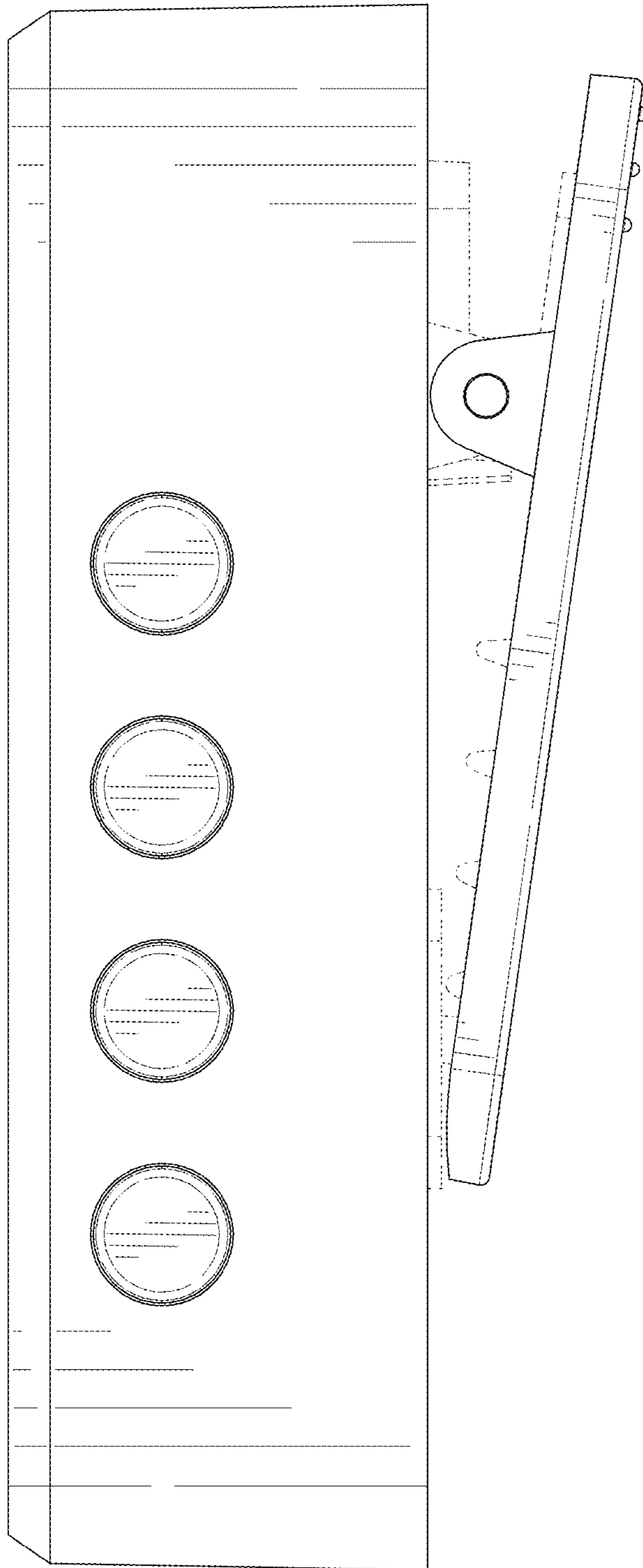


FIG. 6

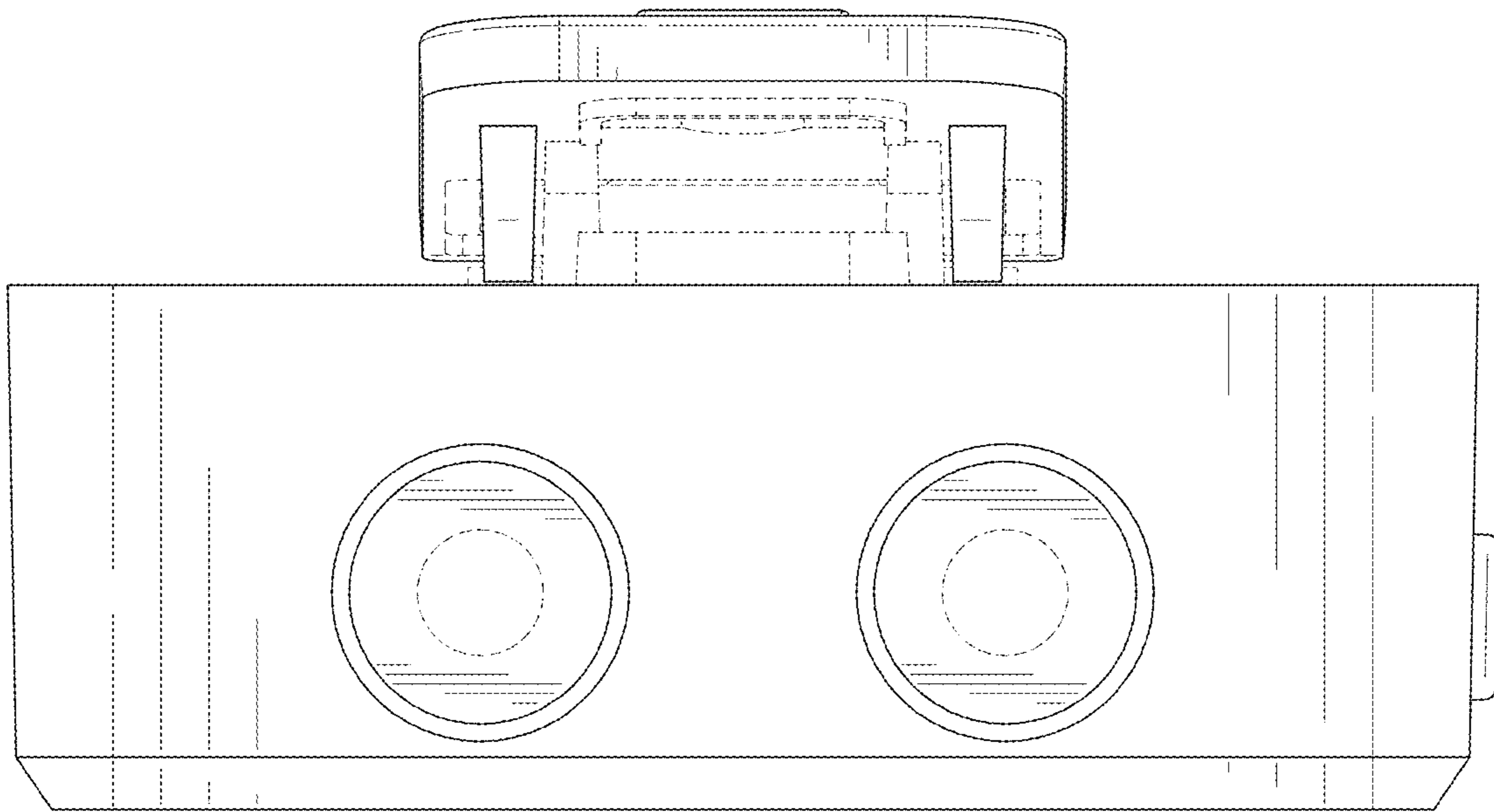


FIG. 7

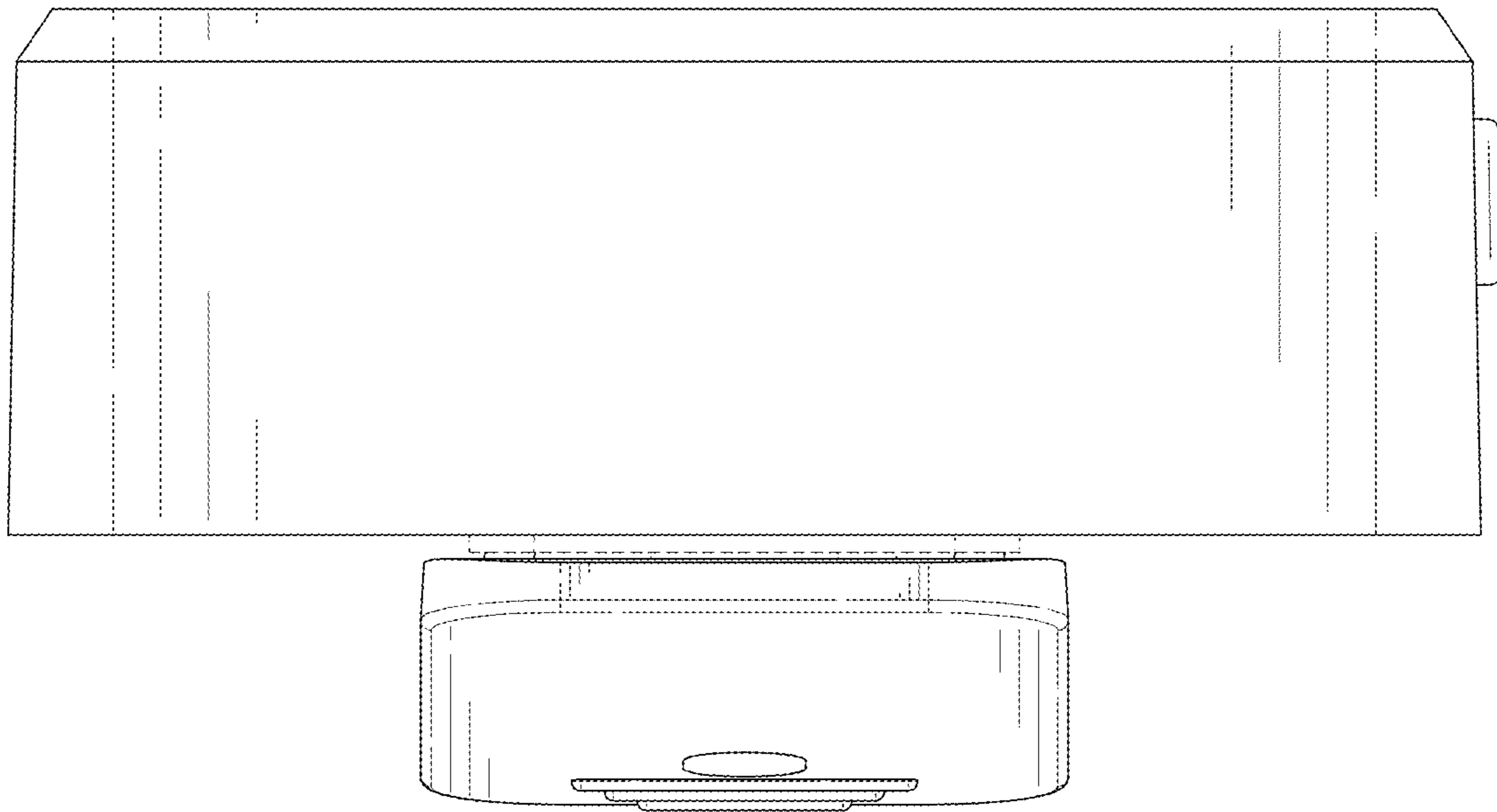


FIG. 8