



US00D953304S

(12) **United States Design Patent**
Huang

(10) **Patent No.:** **US D953,304 S**

(45) **Date of Patent:** **** May 31, 2022**

(54) **WIRELESS MICROPHONE**
(71) Applicant: **SHENZHEN LYNCA PHOTOGRAPHIC EQUIPMENT CO., LTD**, Shenzhen (CN)

(72) Inventor: **Xita Huang**, Shenzhen (CN)

(**) Term: **15 Years**

(21) Appl. No.: **29/767,993**

(22) Filed: **Jan. 27, 2021**

(30) **Foreign Application Priority Data**

Aug. 12, 2020 (CN) 202030457961.1

(51) **LOC (13) Cl.** **14-01**

(52) **U.S. Cl.**
USPC **D14/225**

(58) **Field of Classification Search**
USPC D14/225, 226, 191, 192, 188, 165, 242, D14/240, 203.3, 203.7, 155, 154, 496, D14/358; D10/104.1, 106.1; 224/269
CPC . H04R 25/00; H04R 1/02; H04R 9/08; H04R 1/08; H04R 3/00; A45F 5/02
See application file for complete search history.

(56) **References Cited**

U.S. PATENT DOCUMENTS

D300,631 S * 4/1989 Culbertson D14/137
D323,826 S * 2/1992 Suzuki D14/137
D345,314 S * 3/1994 Chandra D14/185
D352,033 S * 11/1994 Robertson, Jr. D14/137
D370,014 S * 5/1996 Braxton D14/191
D383,115 S * 9/1997 Nagele D13/110
5,829,102 A * 11/1998 Conti H04M 1/04
24/3.12
5,839,594 A * 11/1998 Barbour H02G 3/22
220/3.7
6,283,348 B1 * 9/2001 Wang H04B 1/3888
24/3.12

6,367,672 B1 * 4/2002 Lind A45F 5/02
224/676
6,752,299 B2 * 6/2004 Shetler F41C 33/045
24/3.11
D511,343 S * 11/2005 Solomon D14/356
D513,617 S * 1/2006 Tierney D14/496
7,152,770 B2 * 12/2006 Choi B60R 7/08
224/276
D540,774 S * 4/2007 Alwicker D14/155
D598,375 S * 8/2009 Nomi D13/108
D601,583 S * 10/2009 Andre D14/496
D618,676 S * 6/2010 Hui D14/300
D634,704 S * 3/2011 Tieleman D13/102

(Continued)

FOREIGN PATENT DOCUMENTS

CN 306941756 * 11/2021
CN 307048420 * 1/2022

(Continued)

Primary Examiner — Paula Allen Greene

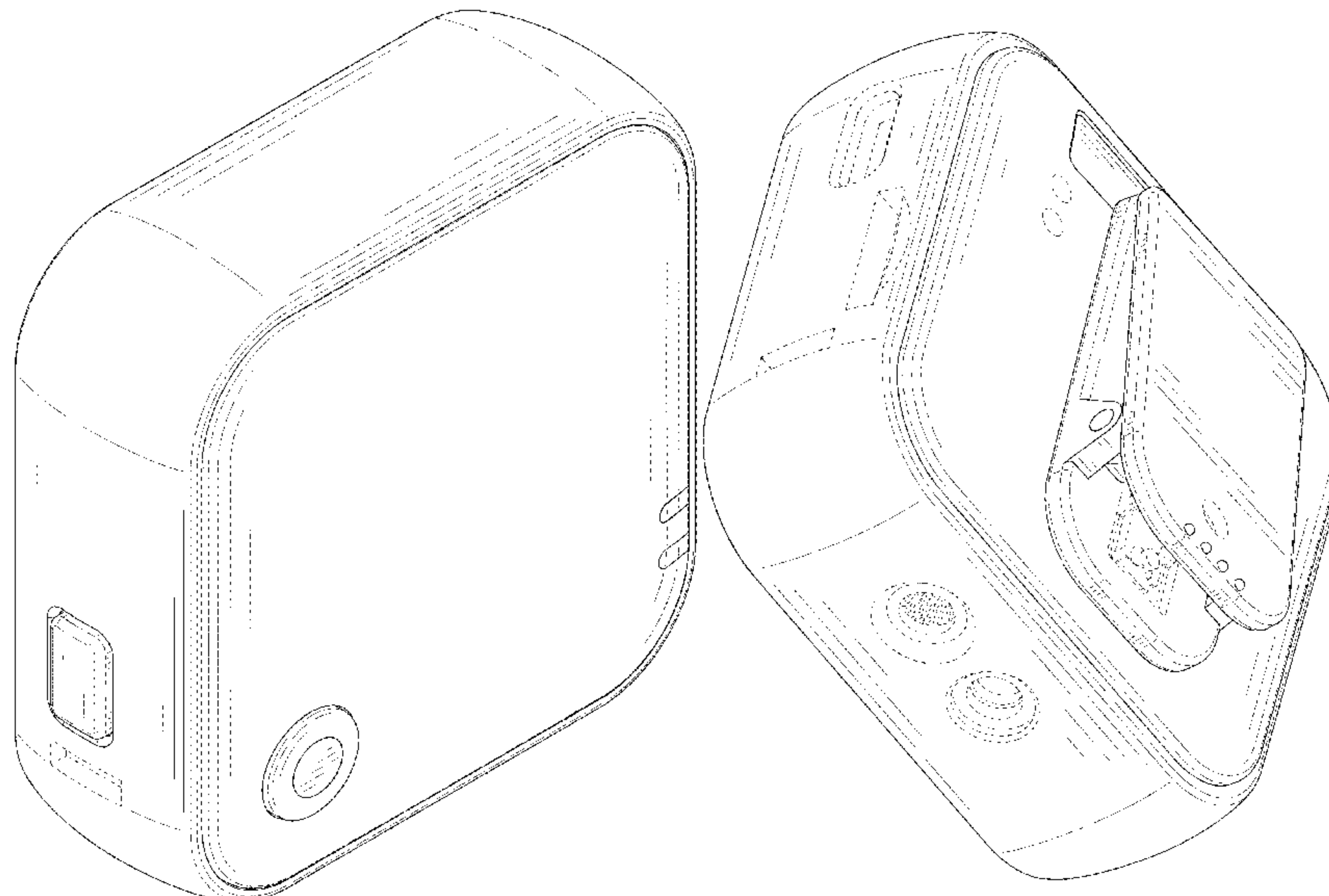
(57) **CLAIM**

The ornamental design for a wireless microphone, as shown and described.

DESCRIPTION

FIG. 1 is a first perspective view of a wireless microphone showing my new design;
FIG. 2 is a second perspective view thereof;
FIG. 3 is a front view thereof;
FIG. 4 is a back view thereof;
FIG. 5 is a left side view thereof;
FIG. 6 is a right side view thereof;
FIG. 7 is a top view thereof; and,
FIG. 8 is a bottom view thereof.
The broken lines shown in the drawings depict portions of the wireless microphone in which the design is embodied that form no part of the claimed design.

1 Claim, 8 Drawing Sheets



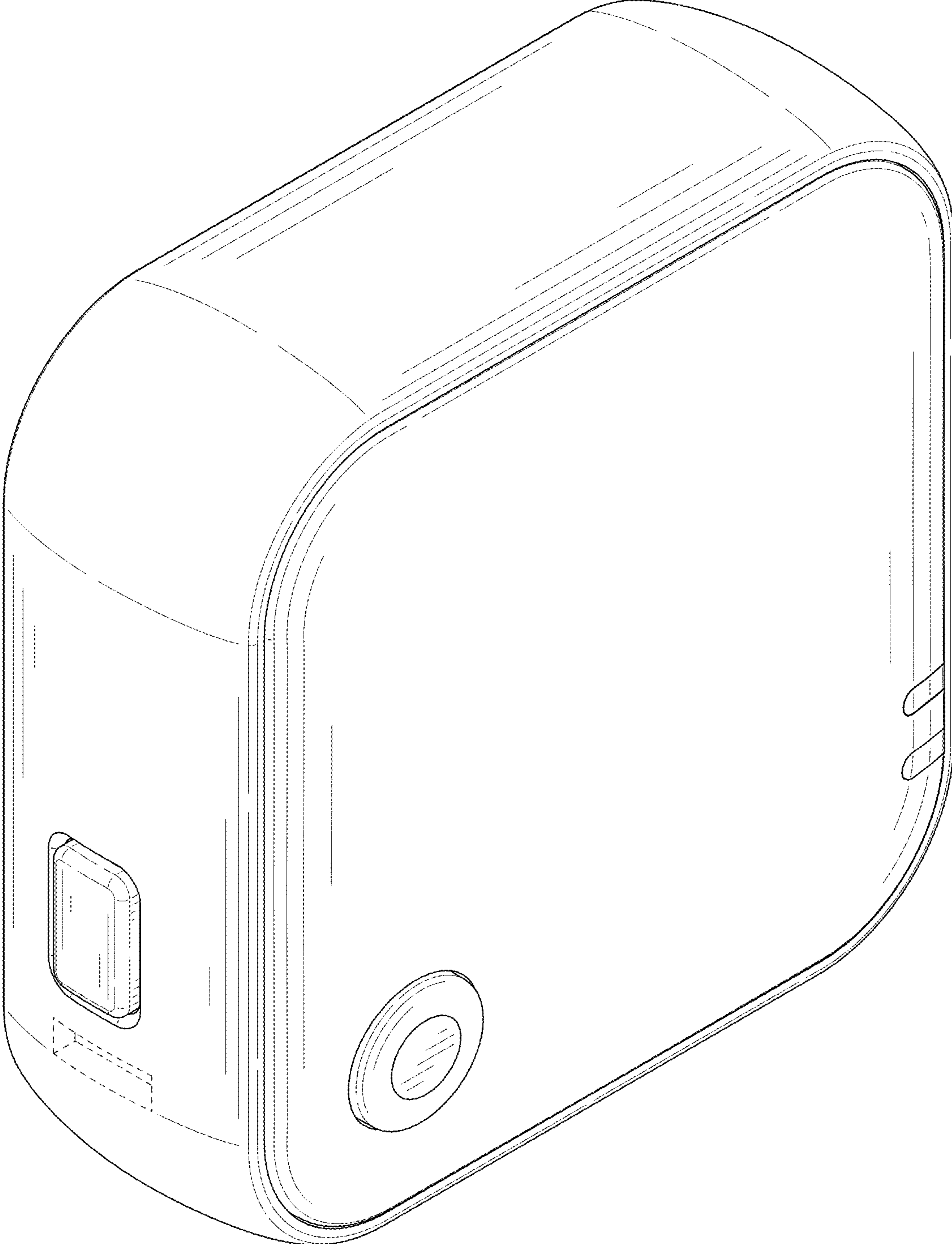


FIG. 1

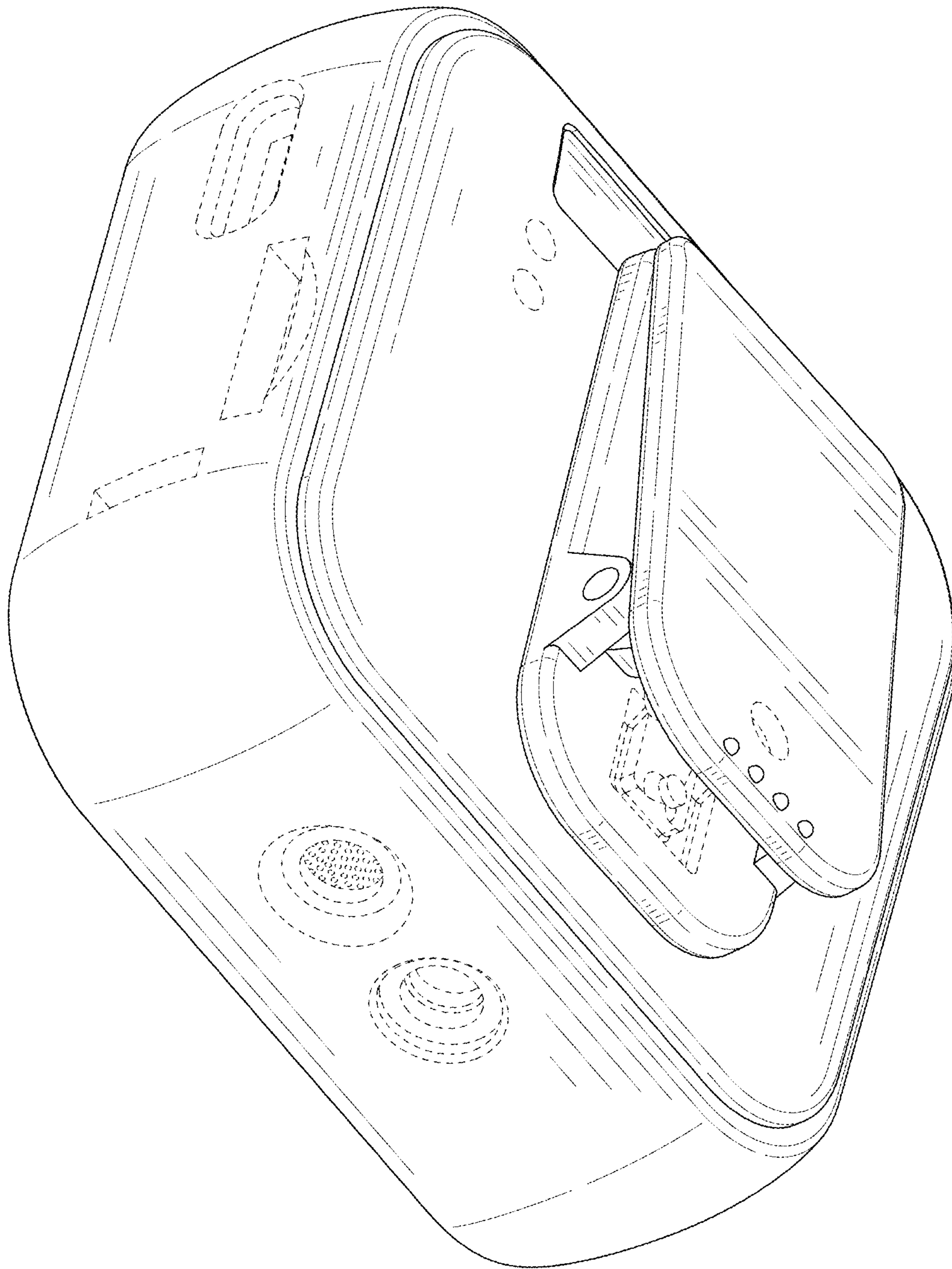


FIG. 2

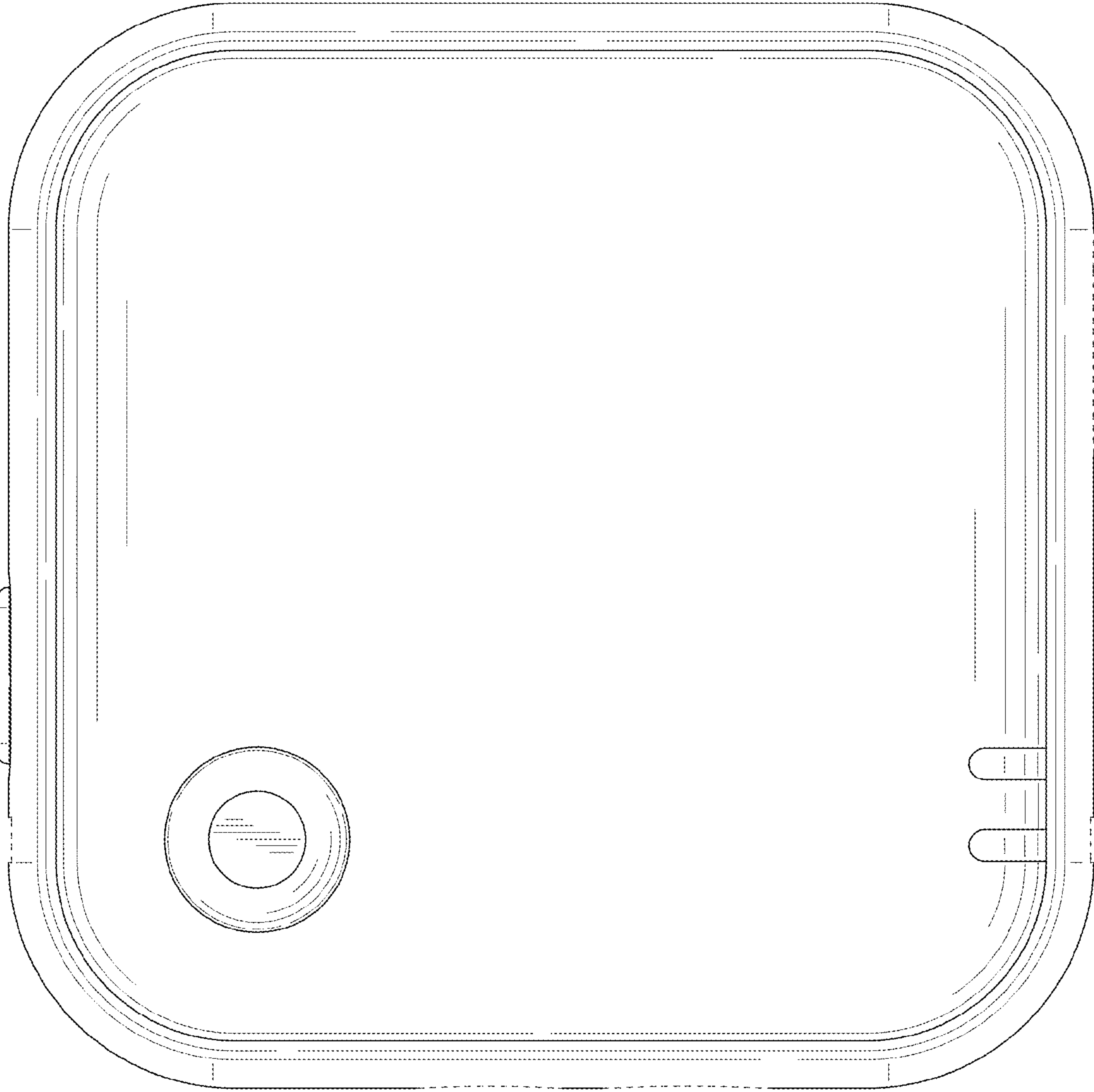


FIG. 3

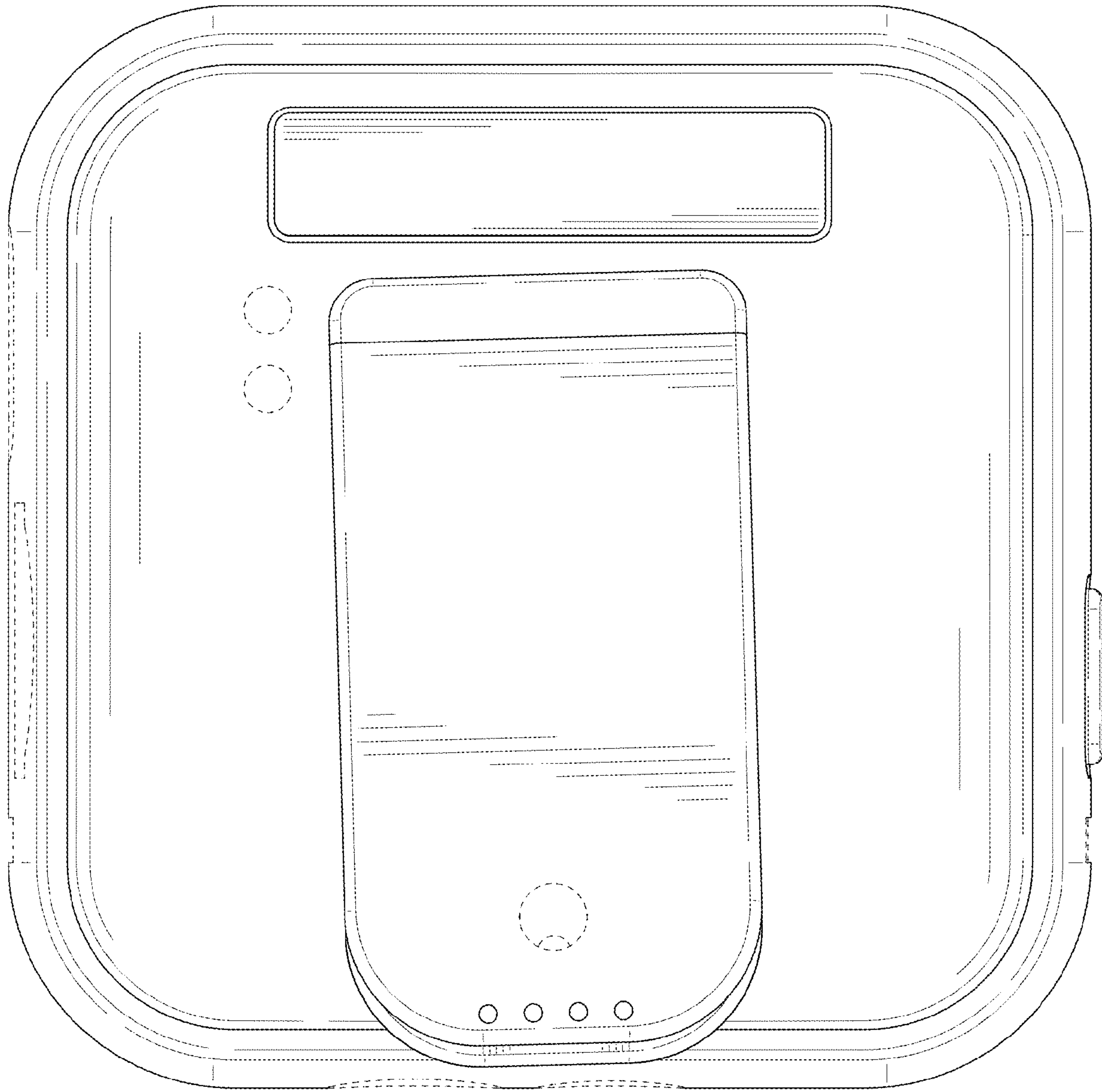


FIG. 4

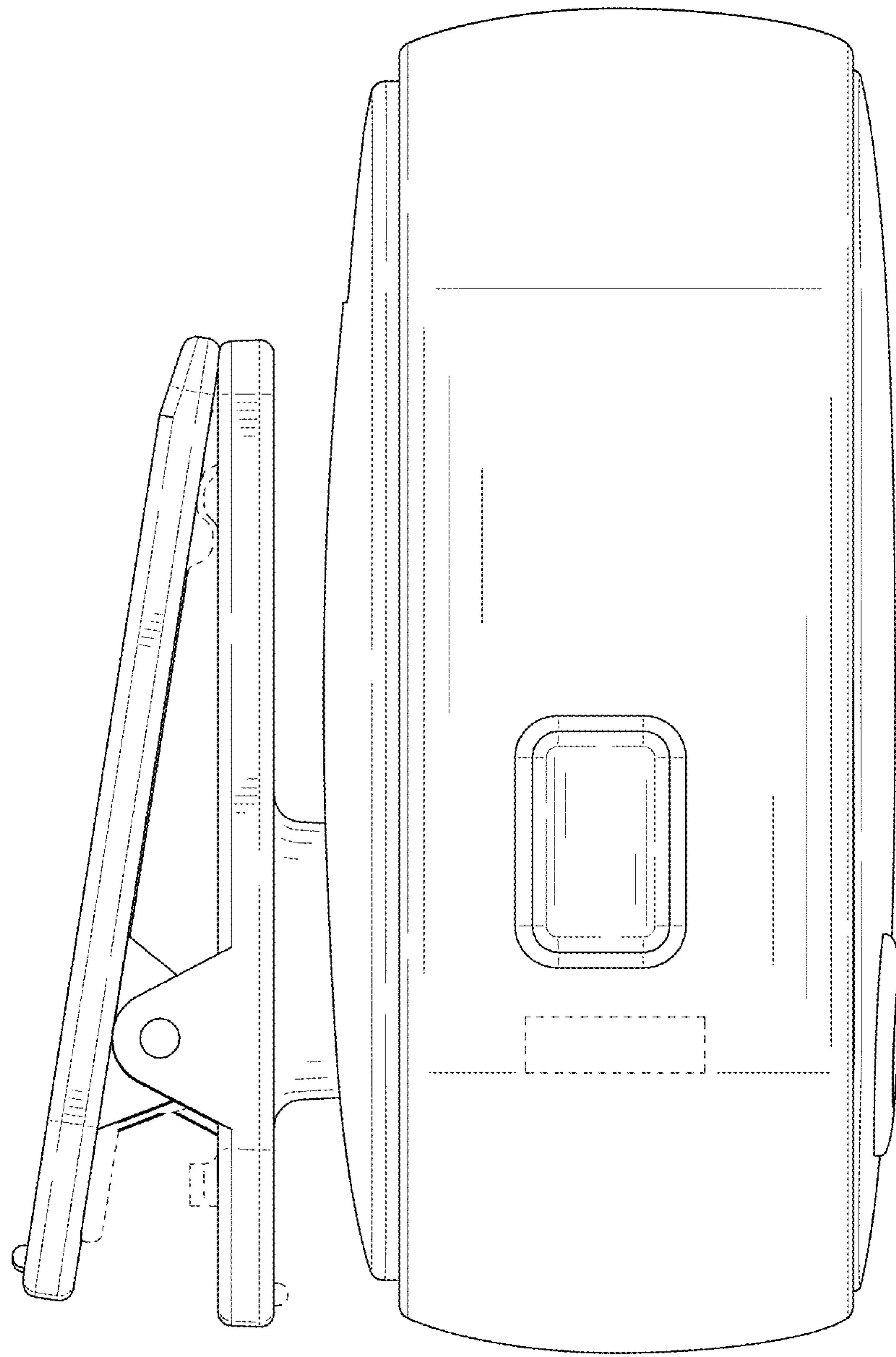


FIG. 5

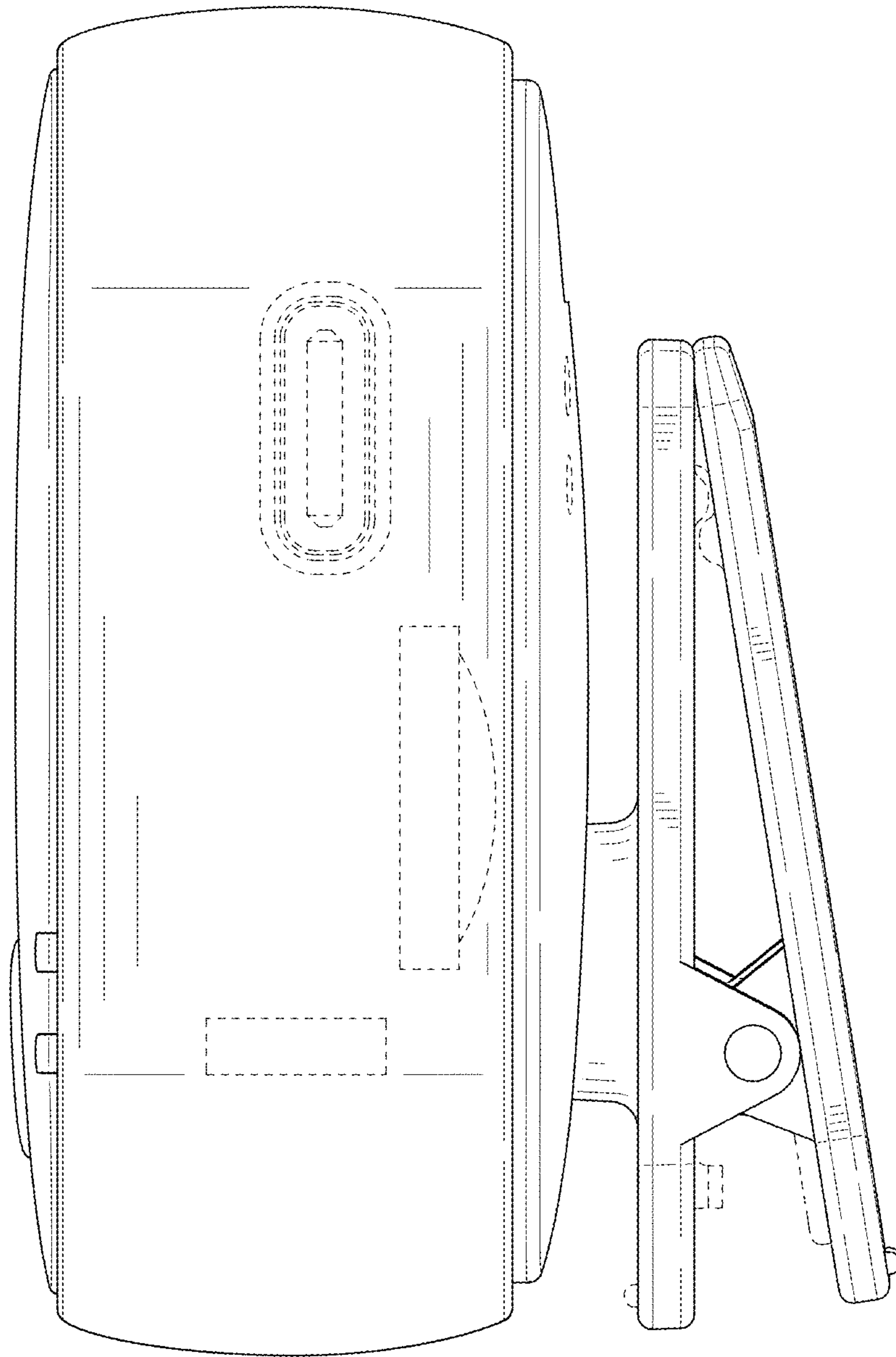


FIG. 6

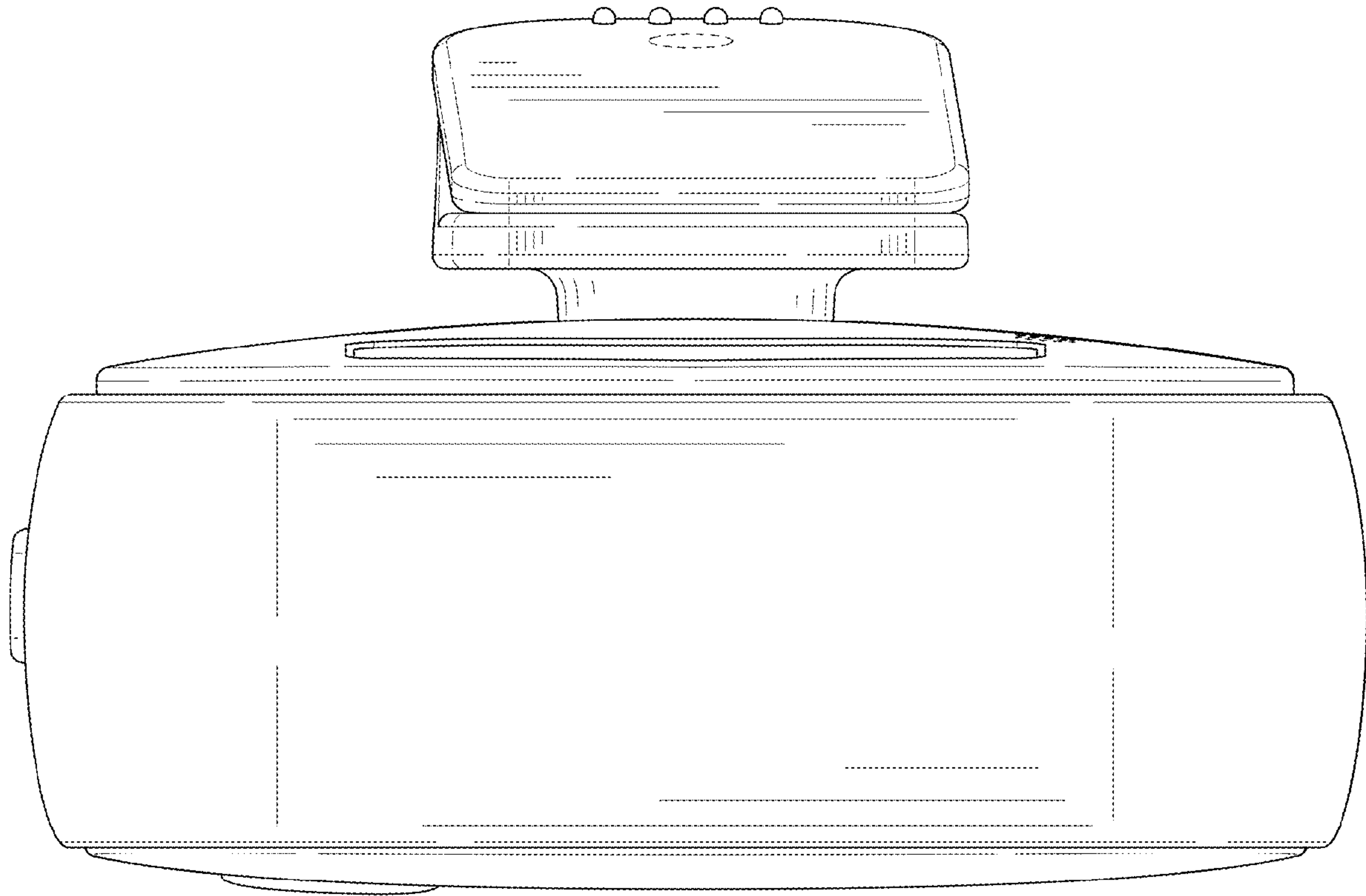


FIG. 7

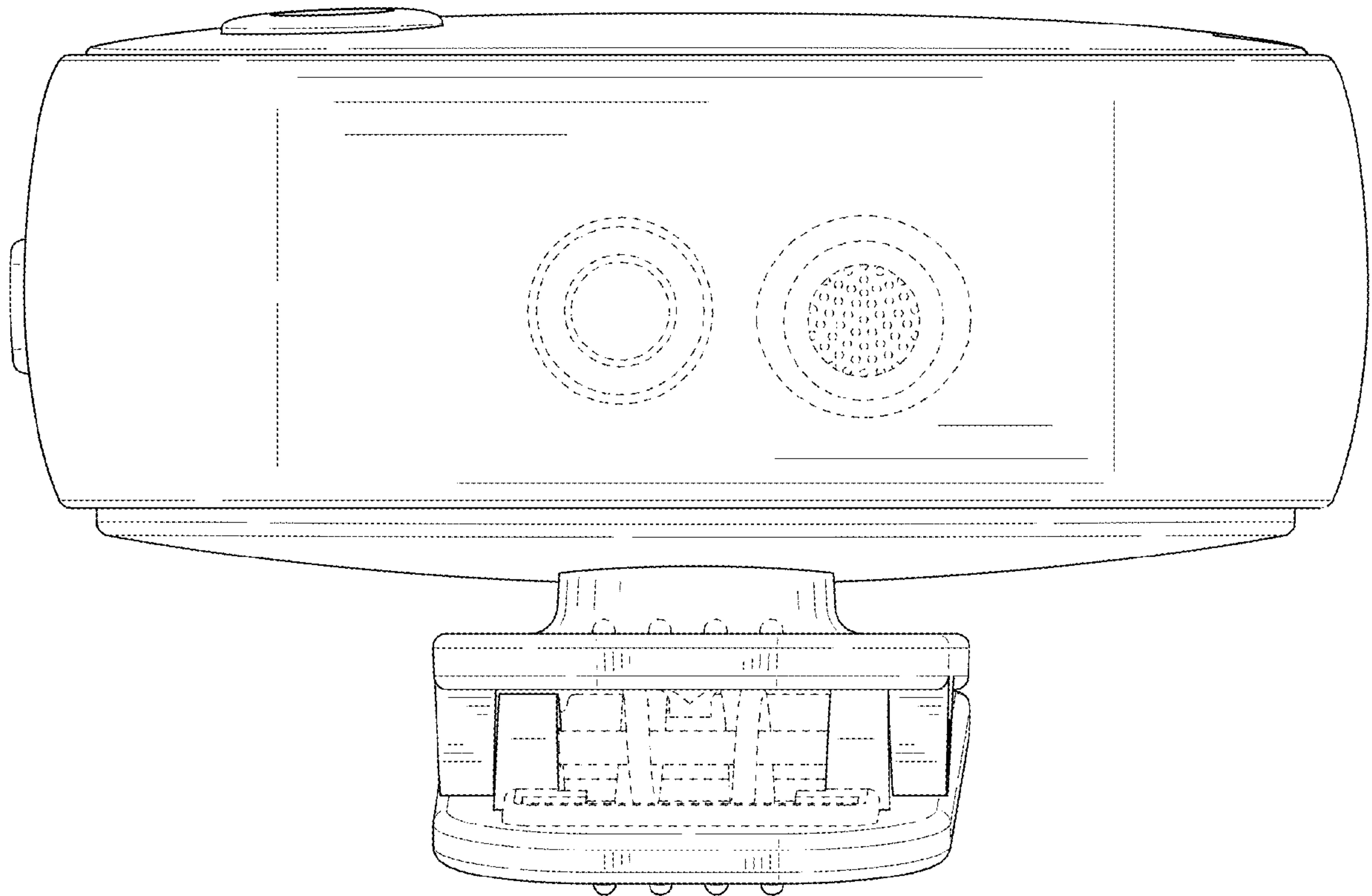


FIG. 8