



US00D953303S

(12) **United States Design Patent**
Chen

(10) **Patent No.:** **US D953,303 S**

(45) **Date of Patent:** **** May 31, 2022**

(54) **WIRELESS EARPHONES WITH CHARGING CASE**

(71) Applicant: **Besing Technology (Shenzhen) Co., Ltd.**, Shenzhen (CN)

(72) Inventor: **Hongxia Chen**, Shenzhen (CN)

(73) Assignee: **BESING TECHNOLOGY (SHENZHEN) CO., LTD.**, Shenzhen (CN)

(**) Term: **15 Years**

(21) Appl. No.: **29/795,957**

(22) Filed: **Jun. 22, 2021**

(51) **LOC (13) Cl.** **14-01**

(52) **U.S. Cl.**
USPC **D14/223; D13/108**

(58) **Field of Classification Search**
USPC D14/223, 205; D13/108; D3/374, 294, D3/201; D9/420, 424, 529, 521; D28/83, 76, 78, 66; 220/4.22; 206/268, 206/273; D24/174; 128/864-866; 381/380, 381, 322, 328; 320/110
CPC .. H02J 7/00; H04R 1/10; H04R 25/00; H04R 25/02; H04R 1/1066; H04R 1/1016; H04R 5/033; H04R 5/0335; B65D 5/00; B65D 43/02; B65D 25/10
See application file for complete search history.

(56) **References Cited**

U.S. PATENT DOCUMENTS

1,406,510 A * 2/1922 Weber H04R 9/10 381/328
D341,315 S * 11/1993 Seymour D9/529

(Continued)

FOREIGN PATENT DOCUMENTS

CA 193607 * 2/2022
CA 193666 * 3/2022

(Continued)

Primary Examiner — Paula Allen Greene

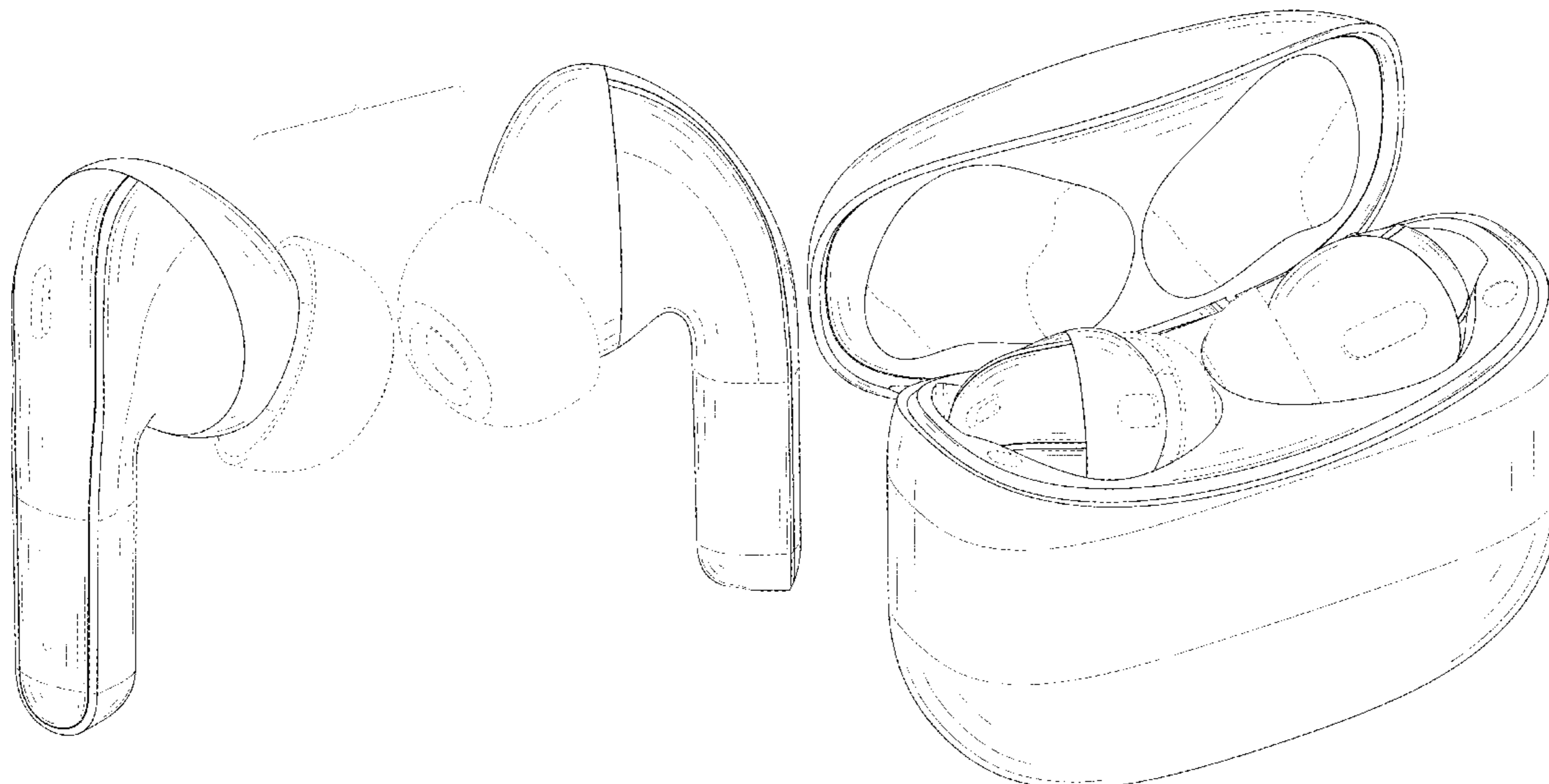
(57) **CLAIM**

The ornamental design for wireless earphones with charging case, as shown and described.

DESCRIPTION

FIG. 1 is a perspective view of wireless earphones of wireless earphones with charging case, shown separately for ease of illustration;
FIG. 2 is another perspective view thereof;
FIG. 3 is a front elevational view thereof;
FIG. 4 is a rear elevational view thereof;
FIG. 5 is a left side elevational view thereof;
FIG. 6 is a right side elevational view thereof;
FIG. 7 is a top plan view thereof;
FIG. 8 is a bottom plan view thereof;
FIG. 9 is a perspective view of a charging case of the wireless earphones with charging case, shown separately for ease of illustration and in an open configuration;
FIG. 10 is another perspective view thereof;
FIG. 11 is a front elevational view thereof;
FIG. 12 is a rear elevational view thereof;
FIG. 13 is a left side elevational view thereof;
FIG. 14 is a right side elevational view thereof;
FIG. 15 is a top plan view thereof;
FIG. 16 is a bottom plan view thereof;
FIG. 17 is a perspective view of the wireless earphones with charging case, shown in use with the earphones received in the charging case; and,
FIG. 18 is a perspective view of the wireless charging case of the earphones with the charging case, shown separately for ease of illustration and in a closed configuration.
The broken lines in the drawings depict portions of the wireless earphones with charging case that form no part of the claimed design.

1 Claim, 18 Drawing Sheets



(56)

References Cited

U.S. PATENT DOCUMENTS

D399,604 S * 10/1998 Wolff D28/76
 D417,541 S * 12/1999 Conway D3/264
 D449,521 S * 10/2001 Pinkus D9/423
 D463,907 S * 10/2002 Lemoine D3/205
 D467,799 S * 12/2002 Persson D9/423
 6,574,345 B1 * 6/2003 Huang H04R 1/1016
 379/430
 D485,548 S * 1/2004 Obata D14/223
 6,726,006 B1 * 4/2004 Funderburk B65D 85/1048
 206/256
 D555,152 S * 11/2007 Wang D14/223
 D594,321 S * 6/2009 Tanaka D9/420
 D611,806 S * 3/2010 Bried D9/420
 D637,647 S * 5/2011 Allison D19/73
 D641,738 S * 7/2011 Perez D14/223
 D653,235 S * 1/2012 McManigal D14/205
 8,265,323 B2 * 9/2012 Stiehl H04R 1/1016
 381/371
 D736,456 S * 8/2015 Liu D27/189
 D741,287 S * 10/2015 Harata D14/223
 D775,960 S * 1/2017 Erdwiens D9/734
 D790,455 S * 6/2017 McGarry D13/107
 D806,388 S * 1/2018 Akana D3/294
 D818,268 S * 5/2018 Akana D3/294
 D847,794 S * 5/2019 Guo D14/223
 D849,401 S * 5/2019 Akana D3/274
 D878,045 S * 3/2020 Akana D3/274
 D888,408 S * 6/2020 Lee D3/269
 D890,091 S * 7/2020 Cramer D13/108
 D890,138 S * 7/2020 Peng D14/223
 D890,725 S * 7/2020 Liu
 D893,184 S * 8/2020 Liu D3/294
 D893,185 S * 8/2020 Liu D3/294
 D895,579 S * 9/2020 Yang D14/223
 D895,582 S * 9/2020 Wu D14/223
 D897,678 S * 10/2020 Koh D3/294
 D897,997 S * 10/2020 Zhang D14/223
 D901,457 S * 11/2020 Zhang D14/223
 D902,588 S * 11/2020 Zhang D3/294
 D903,639 S * 12/2020 Yang D14/223
 D904,005 S * 12/2020 Jung D3/201
 D904,025 S * 12/2020 Ma D3/294
 D904,351 S * 12/2020 Zhang D14/223
 D906,299 S * 12/2020 Luo D14/223
 D907,009 S * 1/2021 Akana D14/223
 D908,345 S * 1/2021 He D3/201
 D910,553 S * 2/2021 Cramer D13/108
 D910,601 S * 2/2021 Hu D14/223
 D911,944 S * 3/2021 Gao D14/223

D918,138 S * 5/2021 Ma D3/294
 D918,182 S * 5/2021 Chen D14/223
 D920,293 S * 5/2021 Chen D14/223
 D924,209 S * 7/2021 Wu D14/223
 D924,851 S * 7/2021 Li D14/223
 D927,417 S * 8/2021 Sretovic D3/294
 D929,374 S * 8/2021 Akana D14/223
 D929,969 S * 9/2021 Ding D3/274
 D930,621 S * 9/2021 Rong D14/223
 D930,623 S * 9/2021 Liu D14/223
 D931,258 S * 9/2021 Ding D3/274
 D931,605 S * 9/2021 Zhu D3/273
 D931,838 S * 9/2021 Deng D14/223
 D932,428 S * 10/2021 Reimann D3/294
 D933,595 S * 10/2021 Geng D3/294
 D934,202 S * 10/2021 Liu D14/223
 D934,563 S * 11/2021 Xiang D3/294
 D935,772 S * 11/2021 Chen D3/294
 D939,830 S * 1/2022 Laffon de Mazieres D3/294
 D940,456 S * 1/2022 Waggoner D3/294
 D942,753 S * 2/2022 Zhou D3/274
 D946,517 S * 3/2022 Zhang D14/223
 D947,198 S * 3/2022 Lee D14/440
 D947,818 S * 4/2022 Zhang D14/223
 D948,482 S * 4/2022 Liu D14/223
 D948,484 S * 4/2022 Zhang D14/223
 2009/0218242 A1 * 9/2009 Holford B65D 85/10484
 206/268
 2017/0195773 A1 * 7/2017 Morris H04R 1/1016
 2019/0373354 A1 * 12/2019 Sondergaard H04R 1/1016
 2020/0107098 A1 * 4/2020 DiFonzo H01F 1/147
 2020/0266640 A1 * 8/2020 Valenzuela H02J 7/0044
 2020/0304896 A1 * 9/2020 Cohen H04R 1/1016
 2021/0006889 A1 * 1/2021 Geng H04R 1/1016
 2021/0085047 A1 * 3/2021 Wright A45C 13/02
 2021/0274275 A1 * 9/2021 Daniels H04R 1/1091
 2021/0345031 A1 * 11/2021 DeMaio H04R 1/1025
 2022/0095041 A1 * 3/2022 Yu H04R 1/1016

FOREIGN PATENT DOCUMENTS

EM 001477913-0001 * 4/2020
 EM 008397996-0001 * 1/2021
 EM 008520050-0001 * 4/2021
 EM 008711766-0001 * 9/2021
 GB 9007718218-0001 * 2/2020
 GB 9008312359-0002 * 12/2020
 GB 6122515 * 3/2021
 GB 6148445 * 7/2021
 GB 6198150 * 3/2022

* cited by examiner

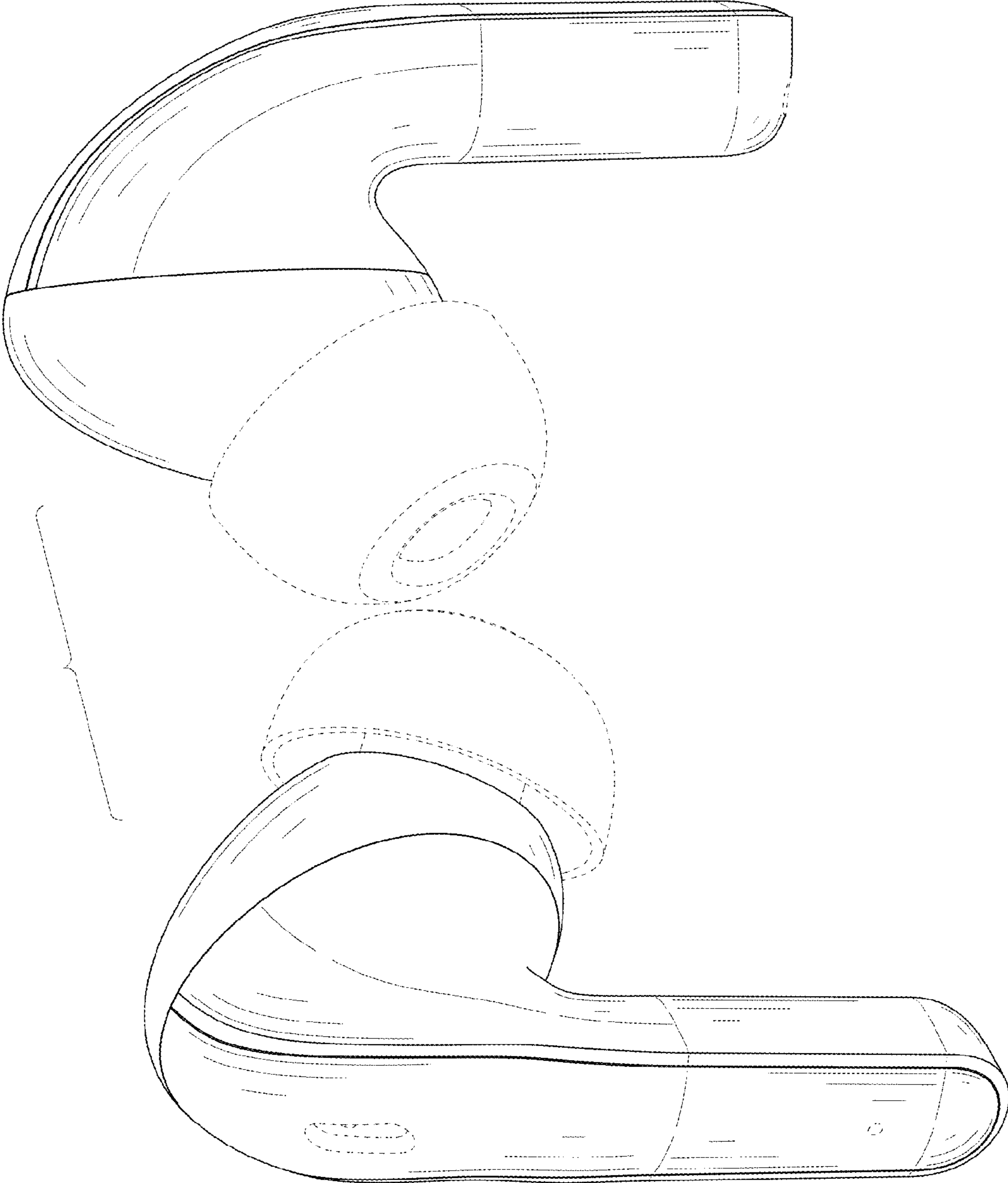


FIG. 1

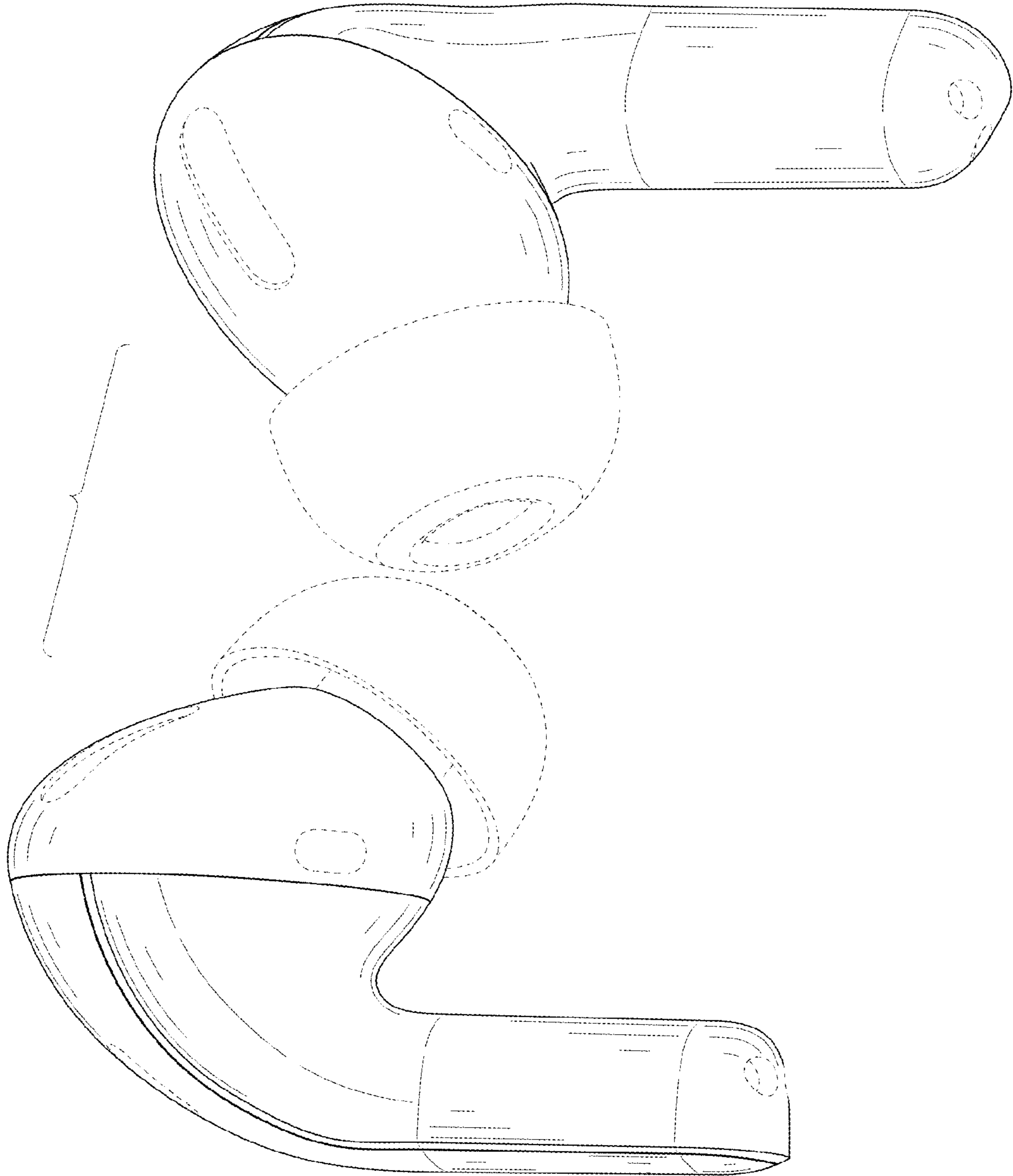


FIG. 2

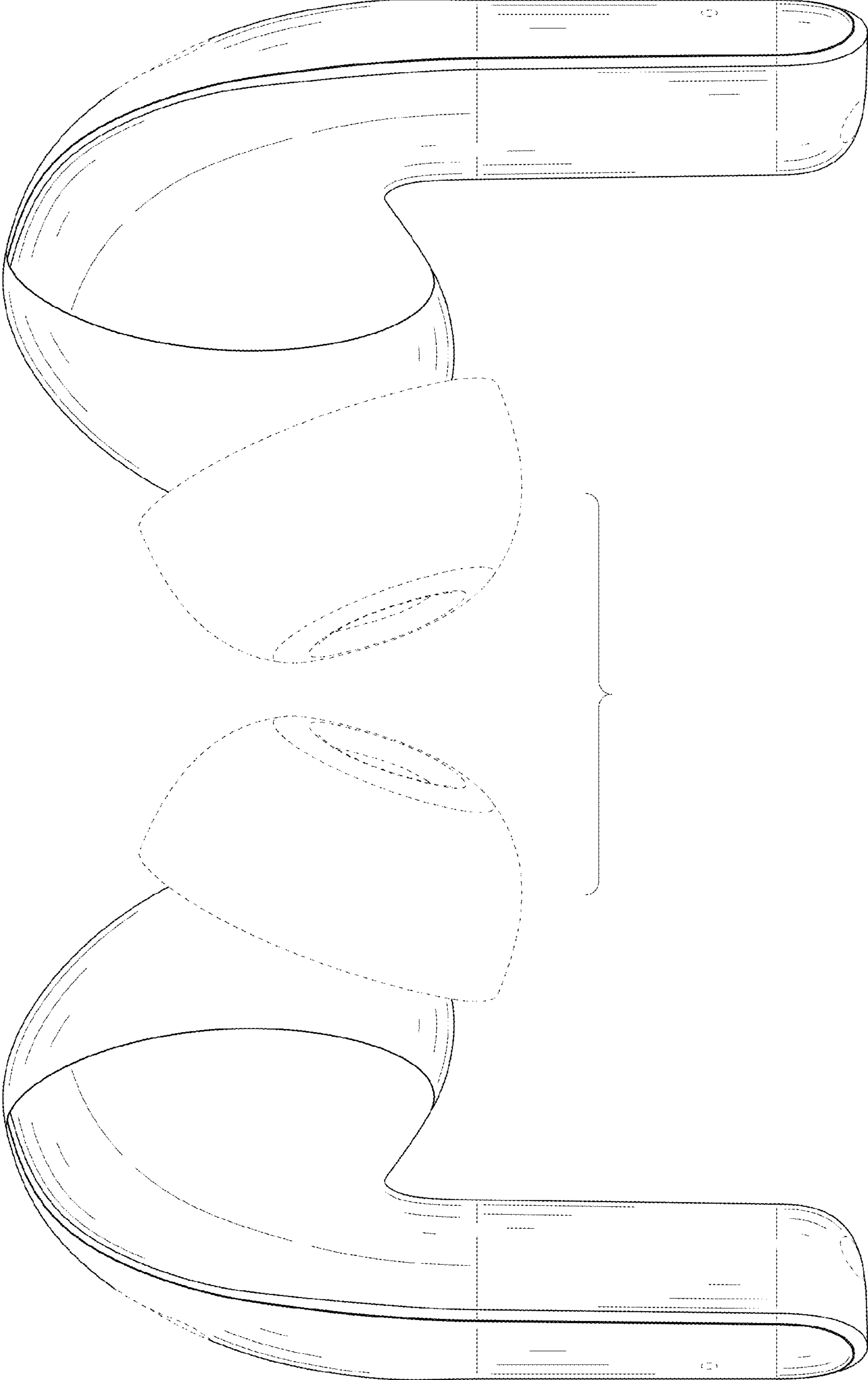


FIG. 3

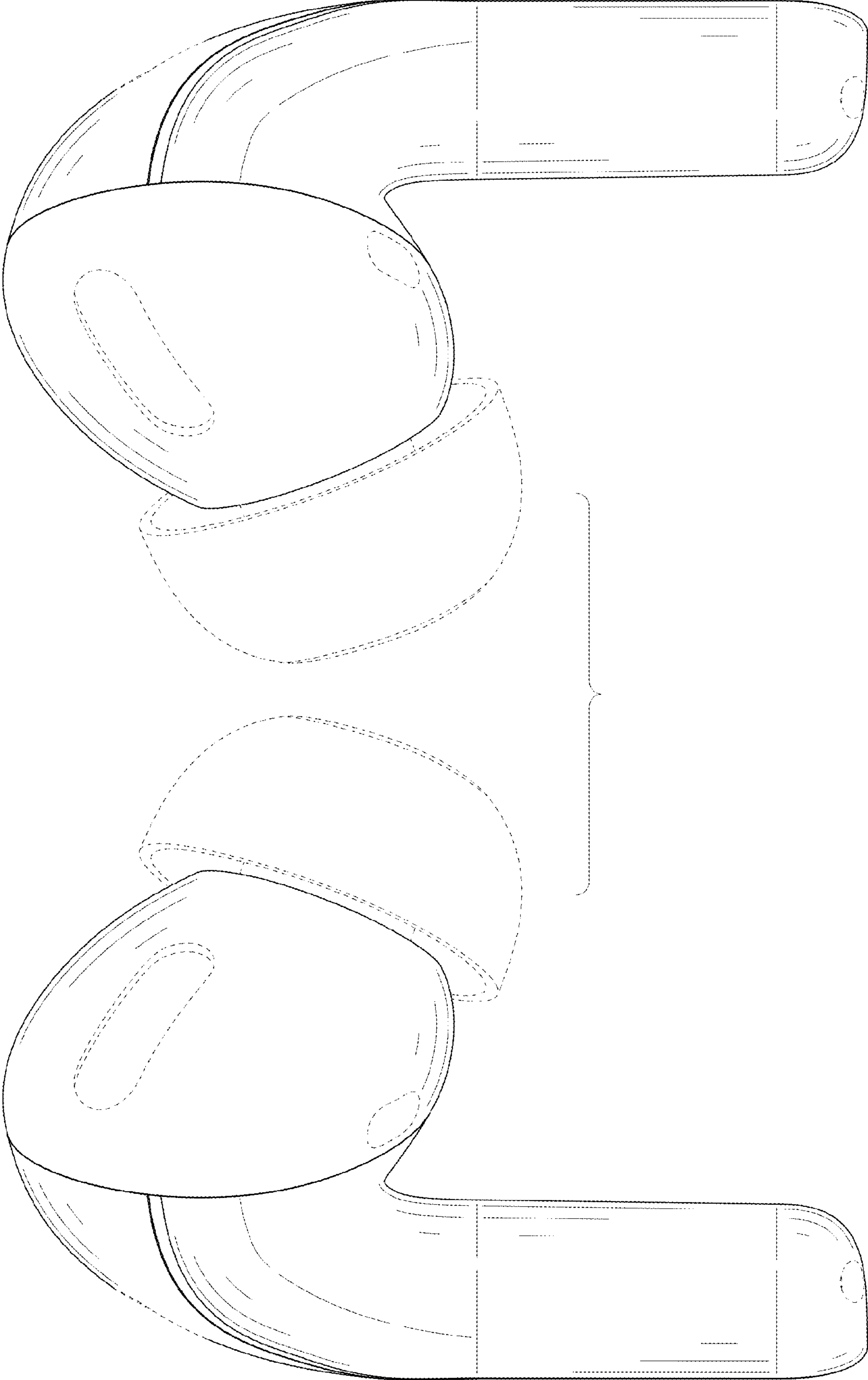


FIG. 4

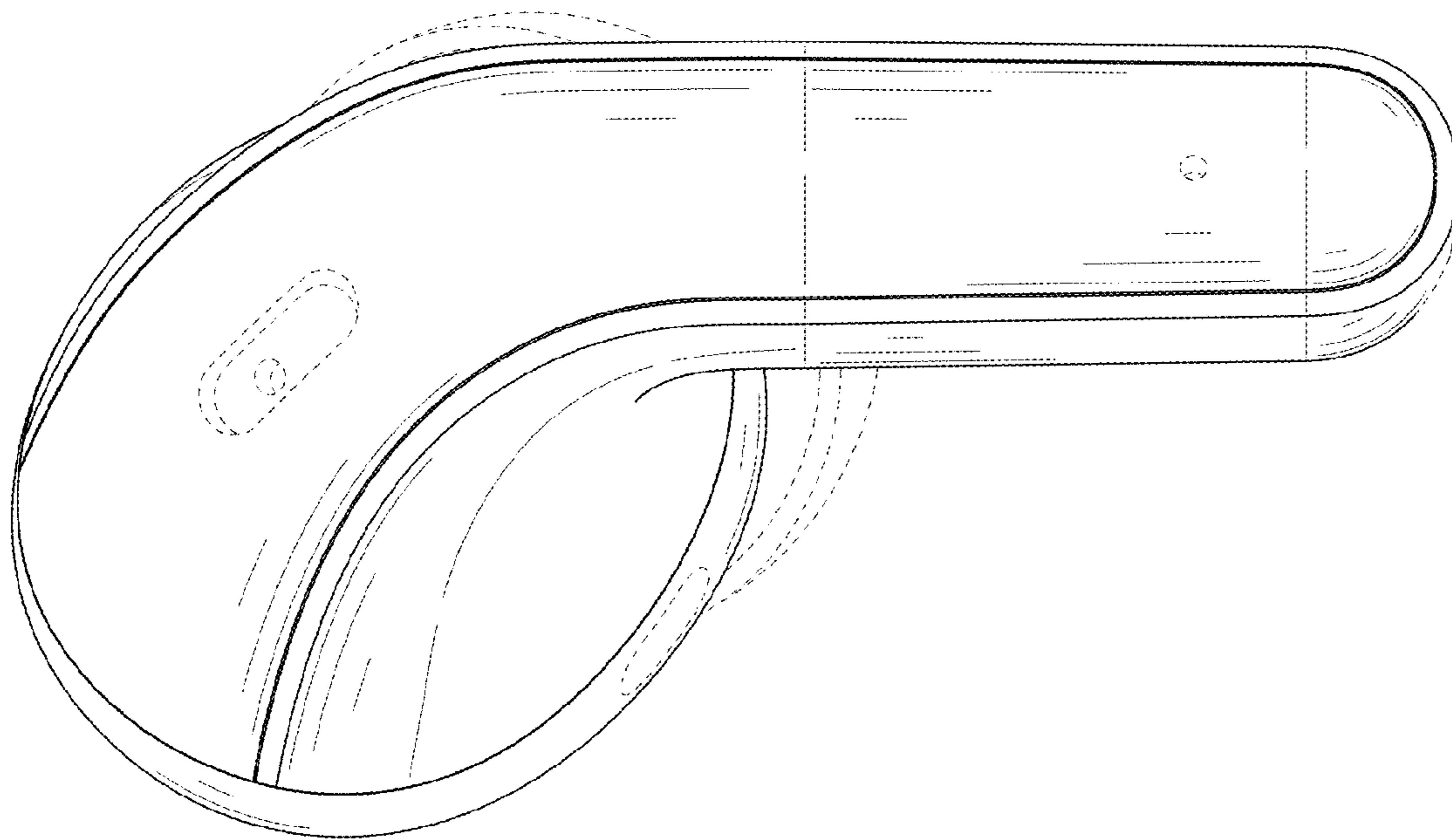


FIG. 5

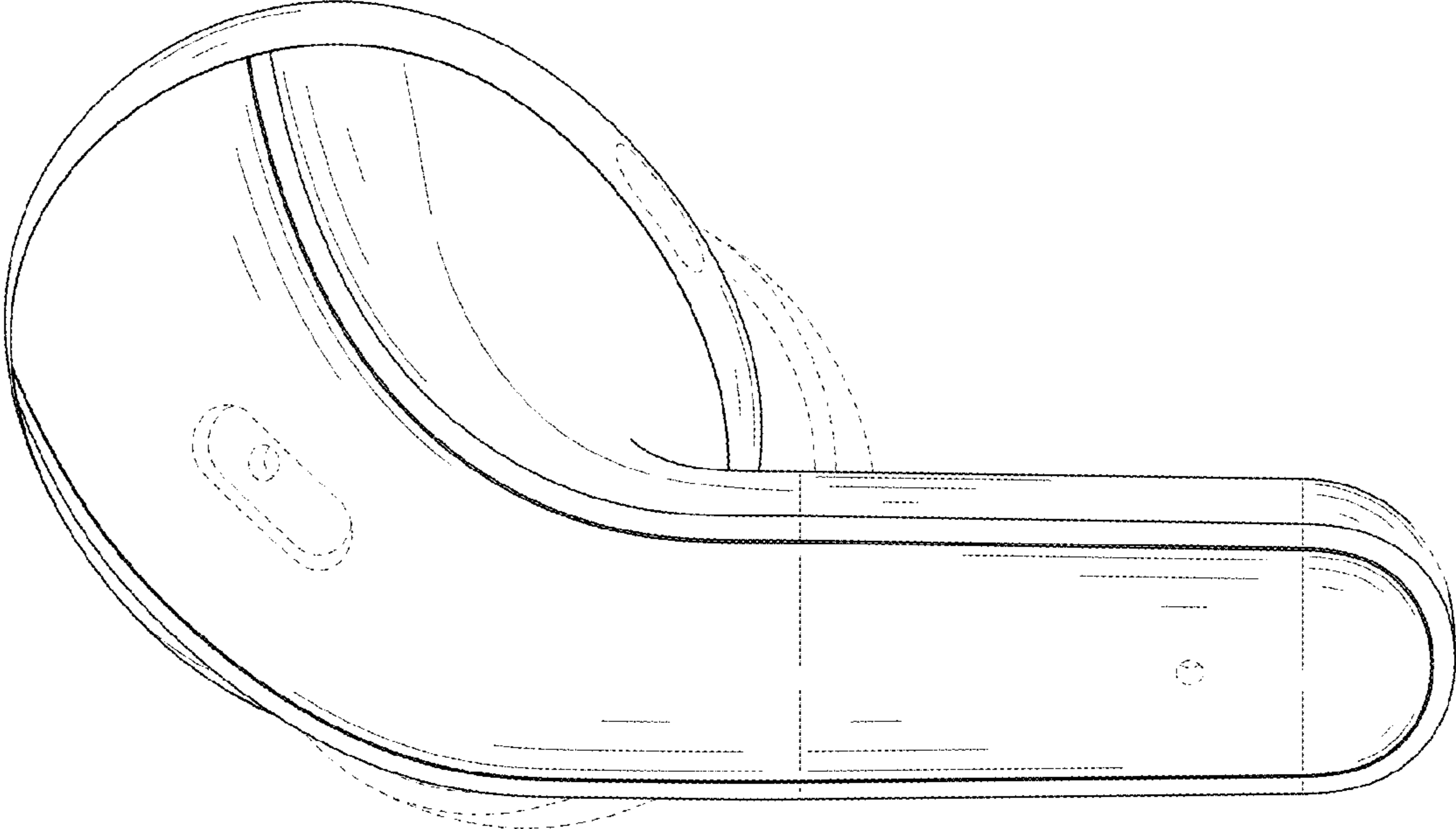


FIG. 6

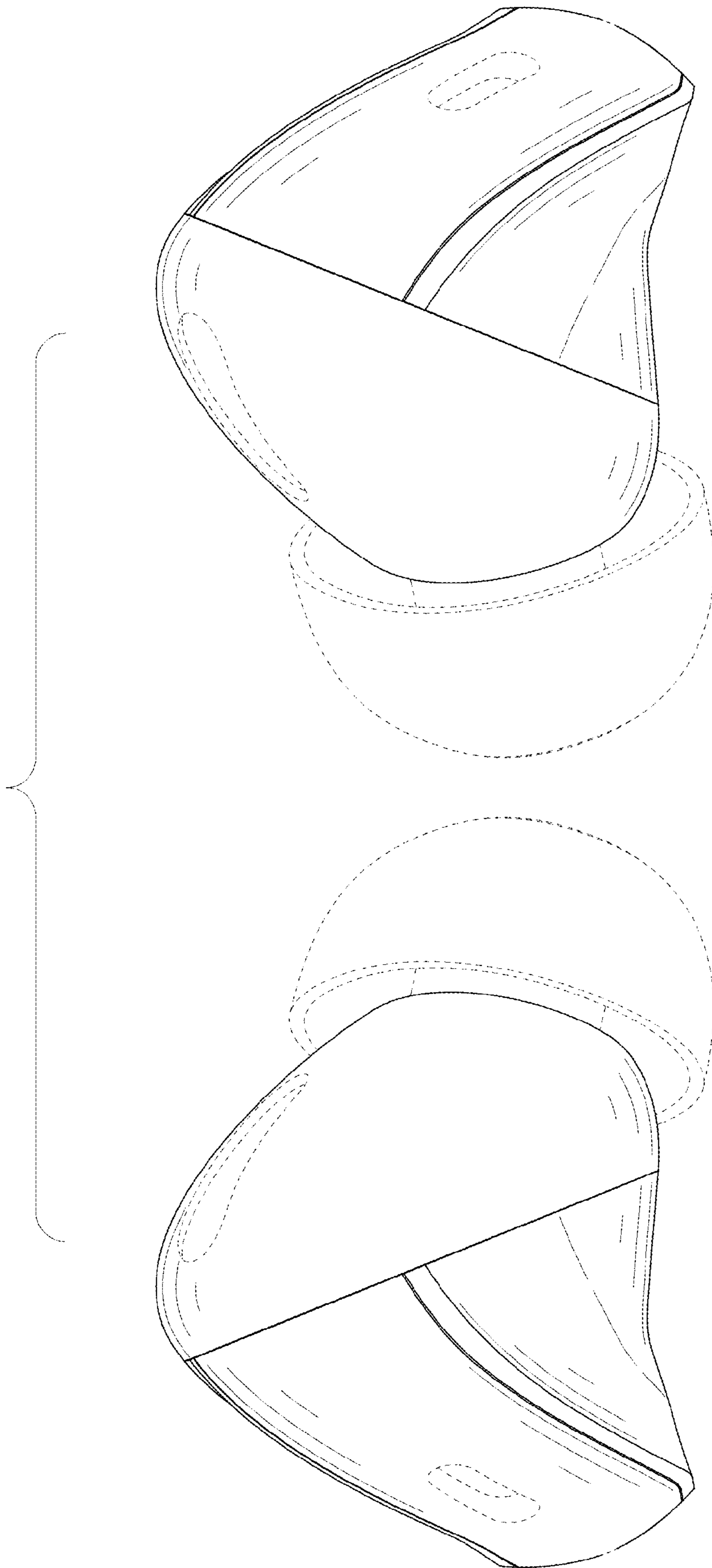


FIG. 7

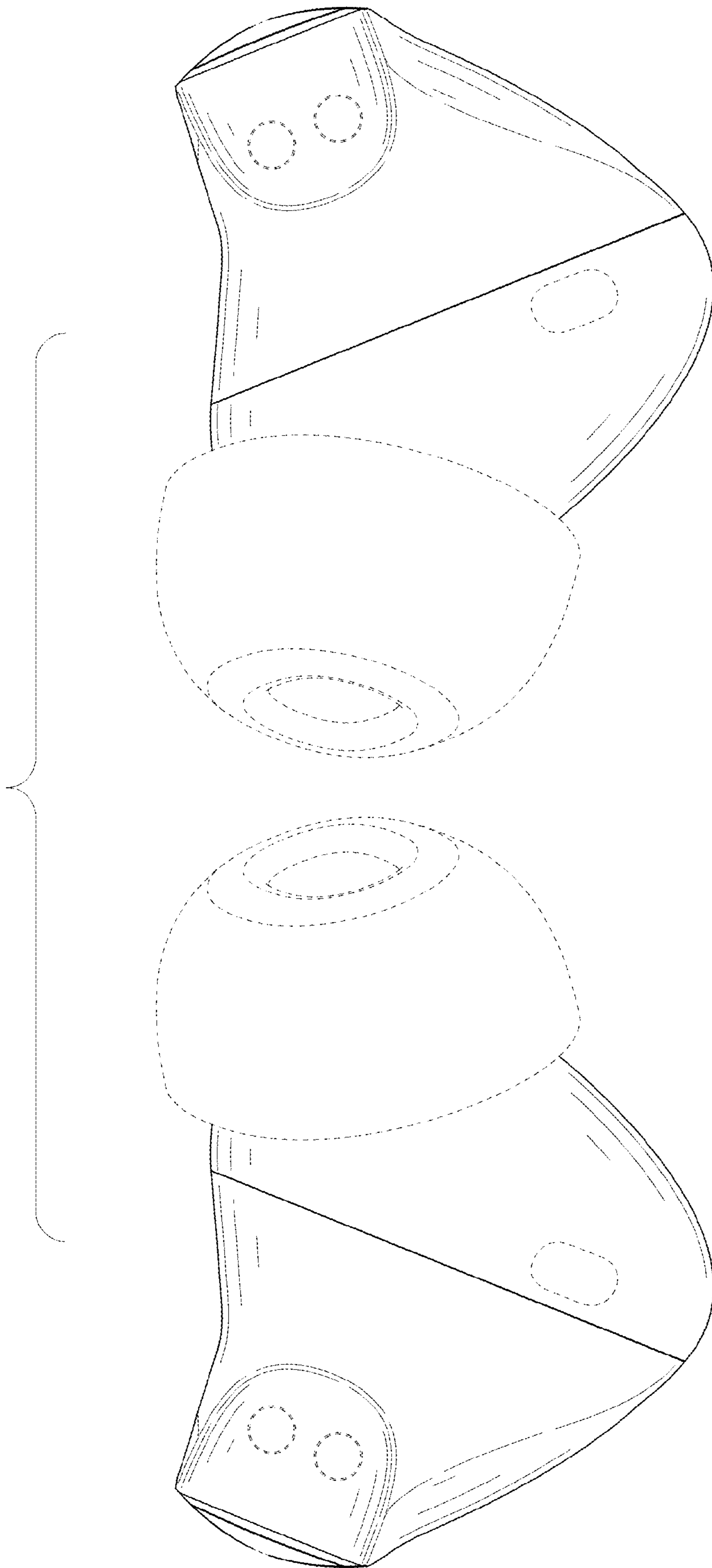


FIG. 8

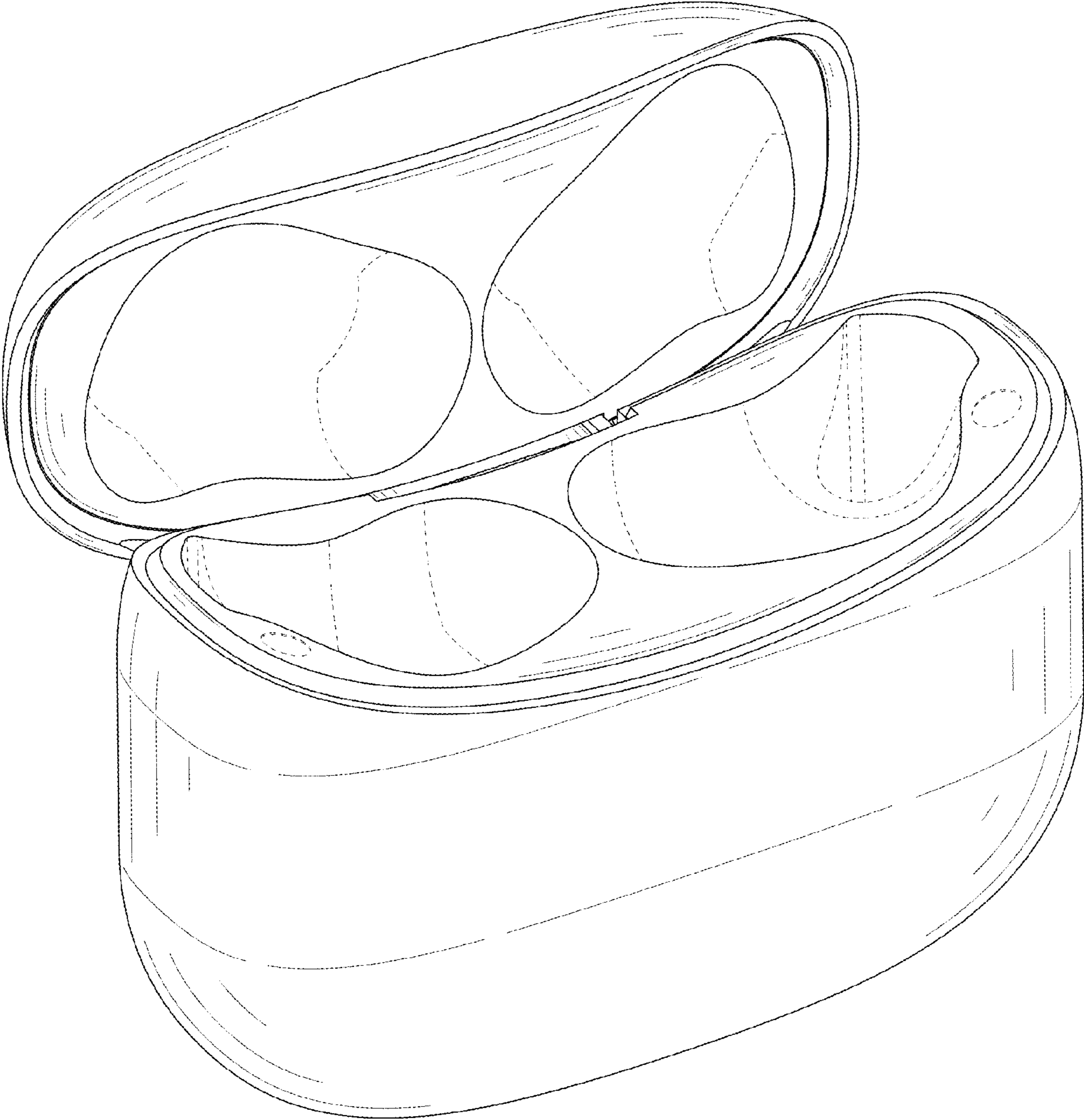


FIG. 9

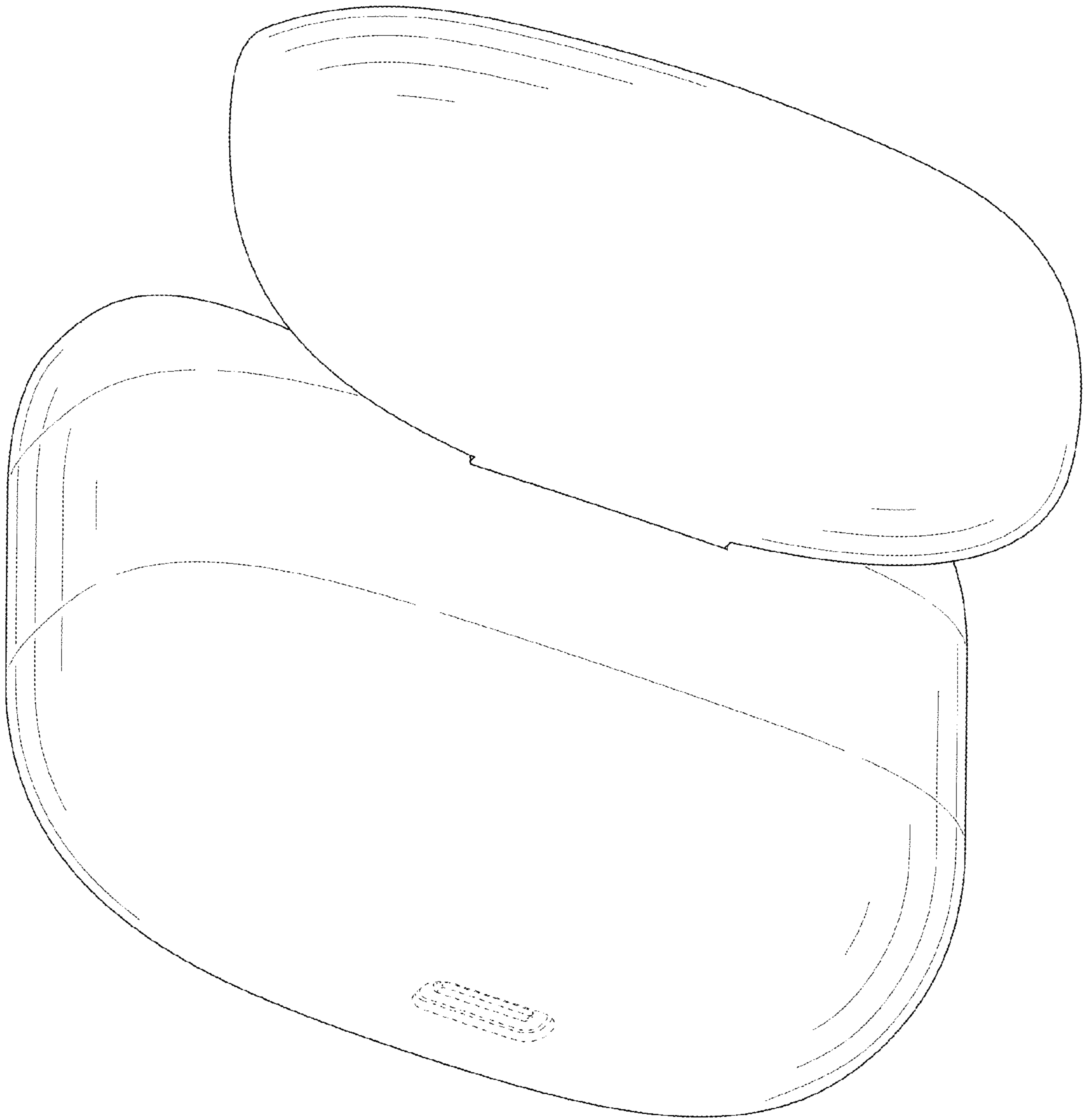


FIG. 10

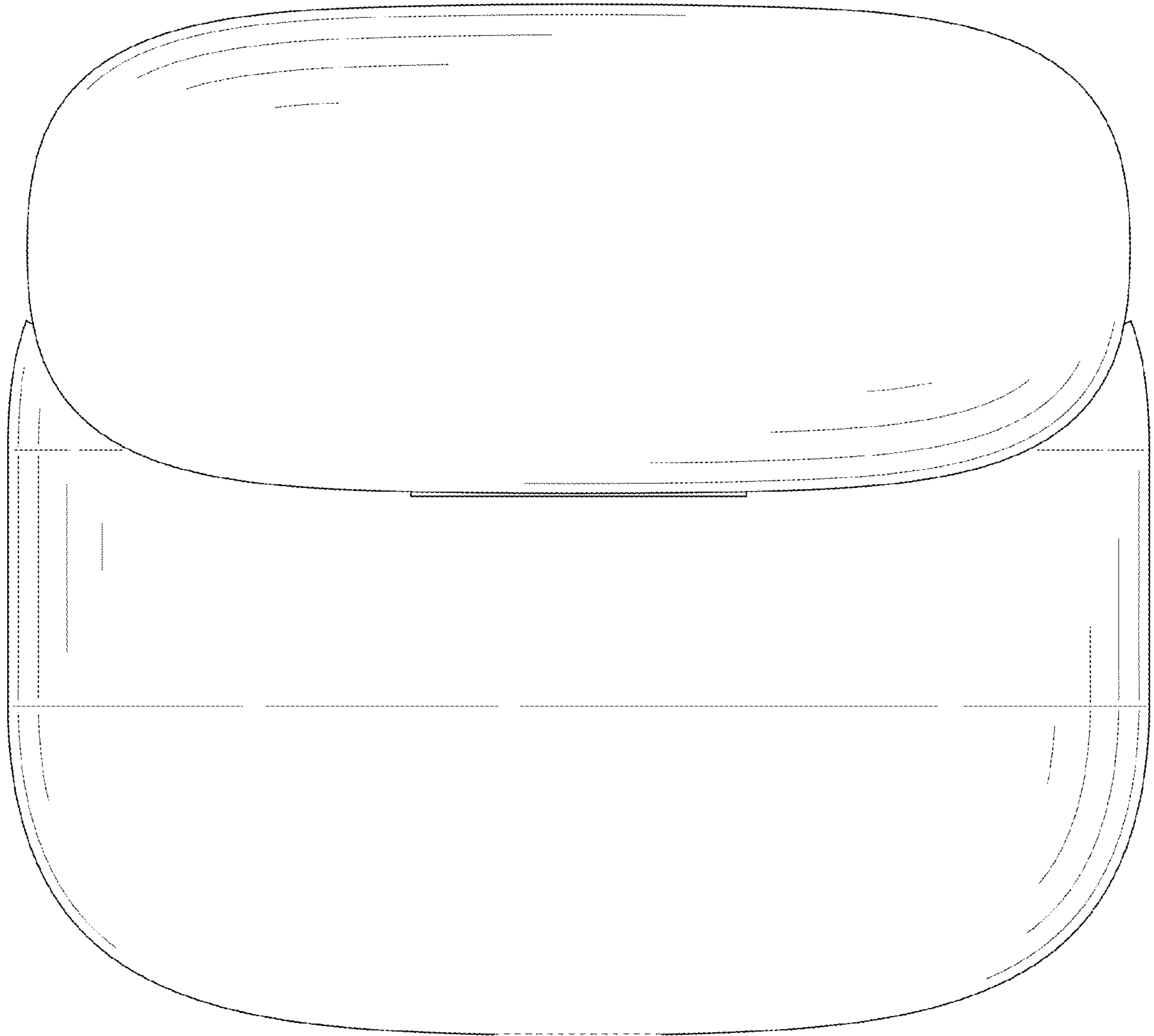


FIG. 11

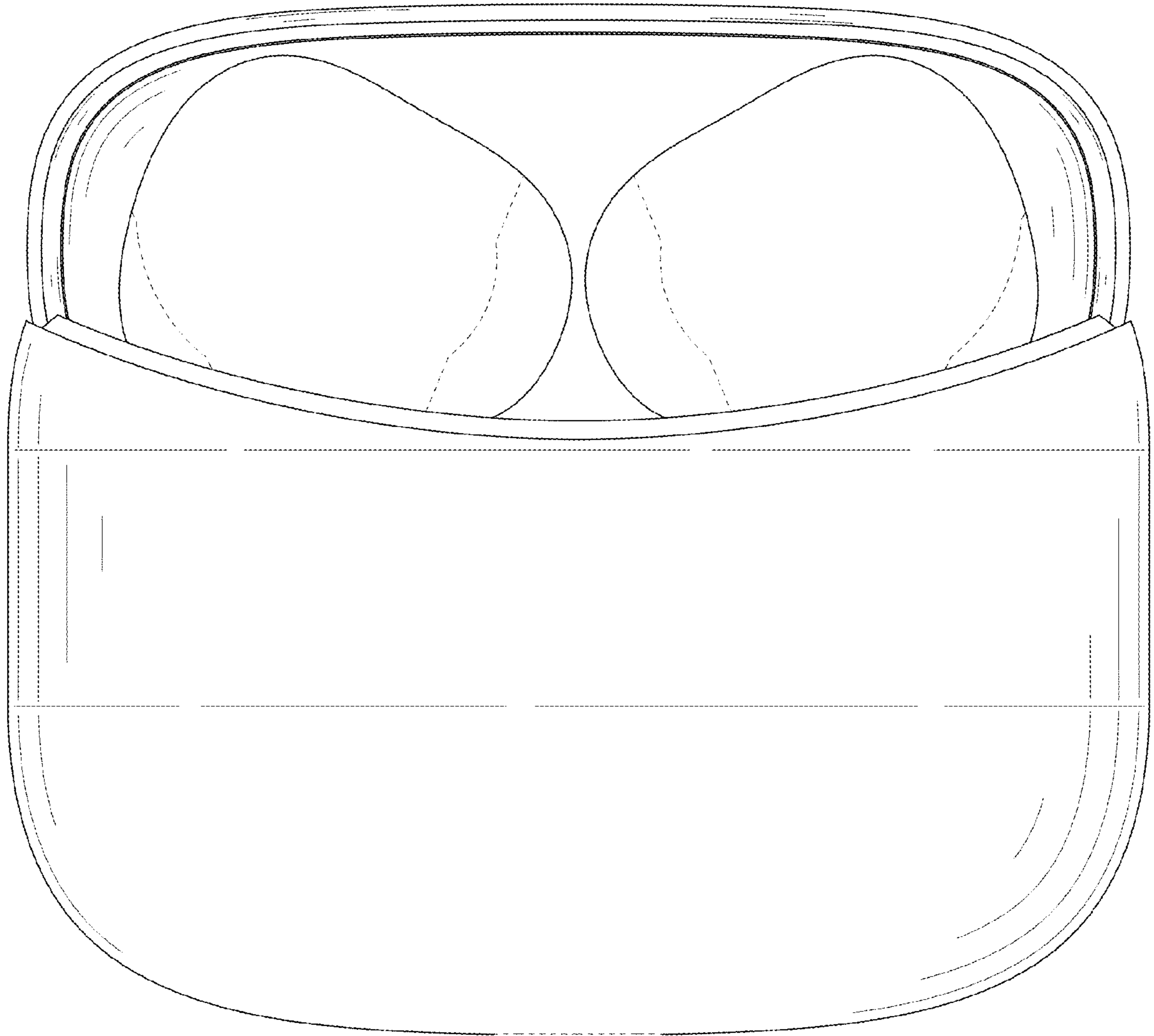


FIG. 12

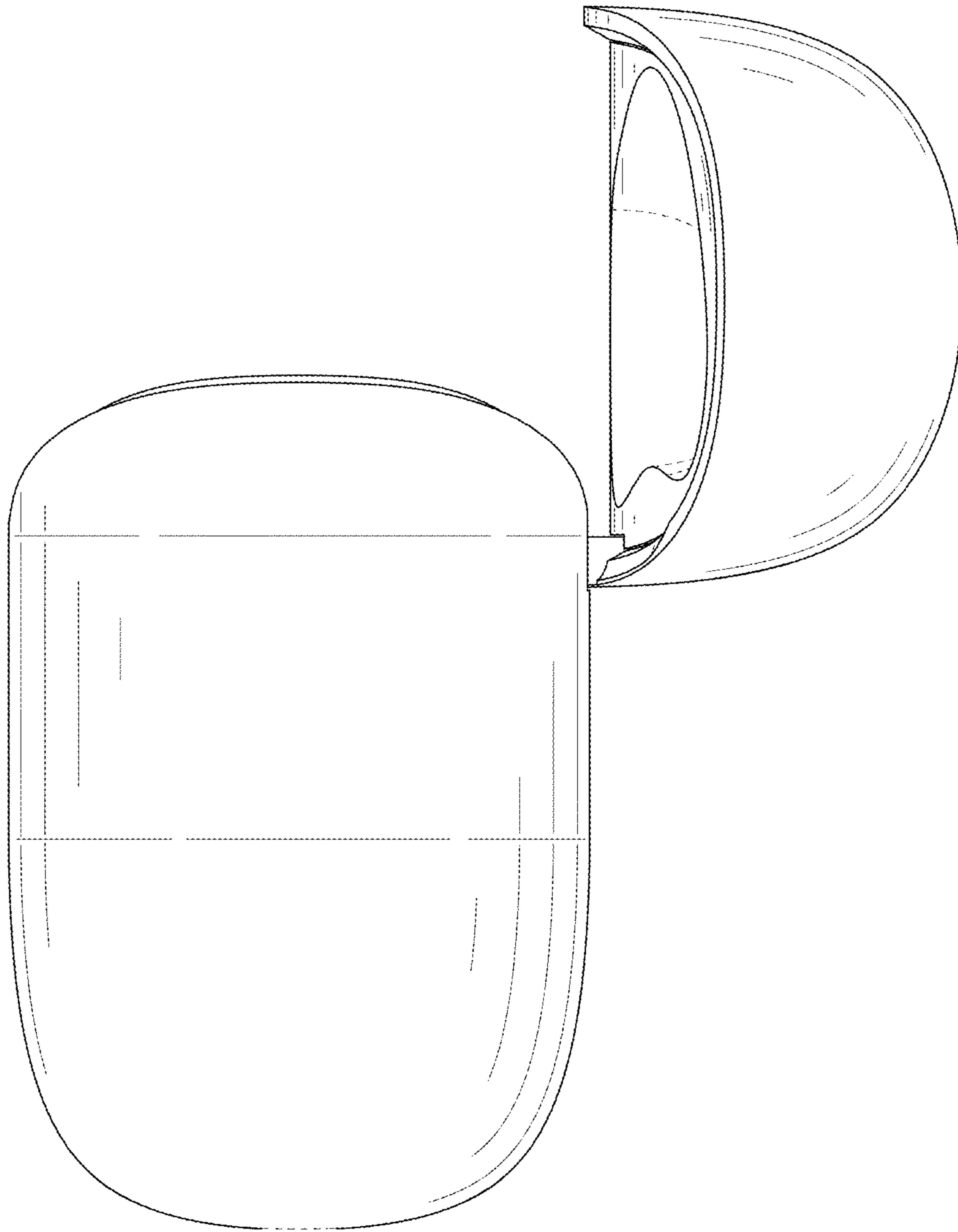


FIG. 13

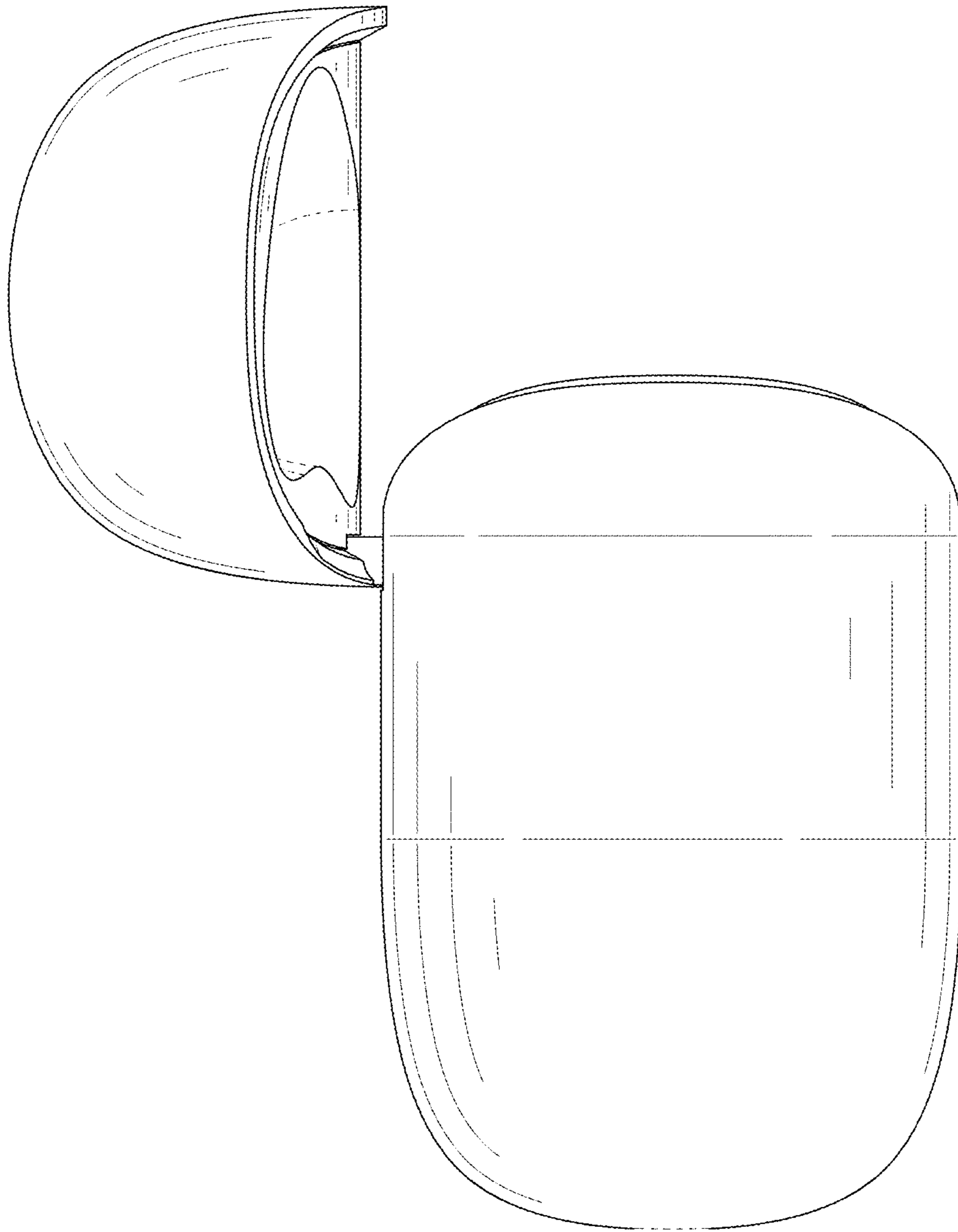


FIG. 14

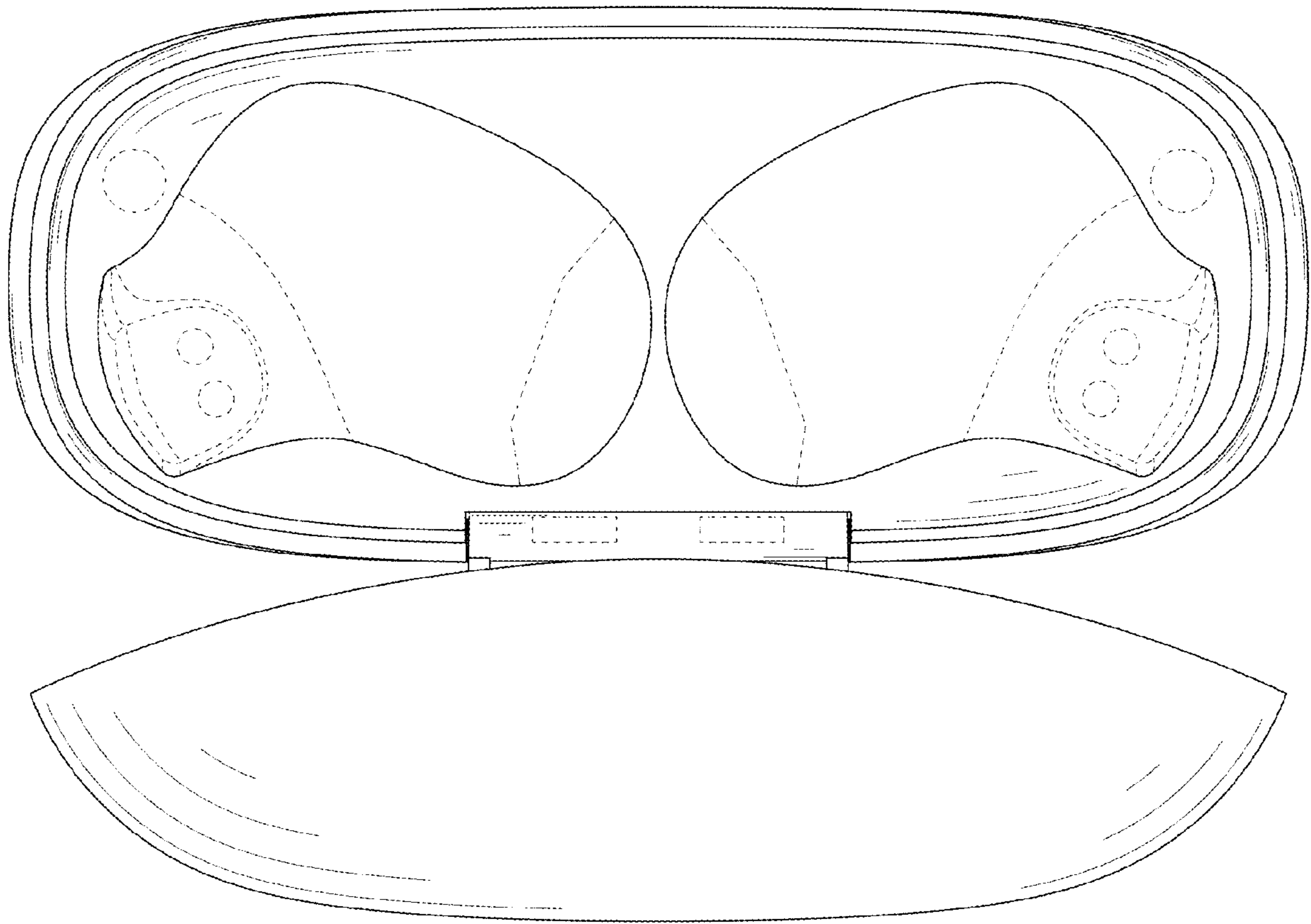


FIG. 15

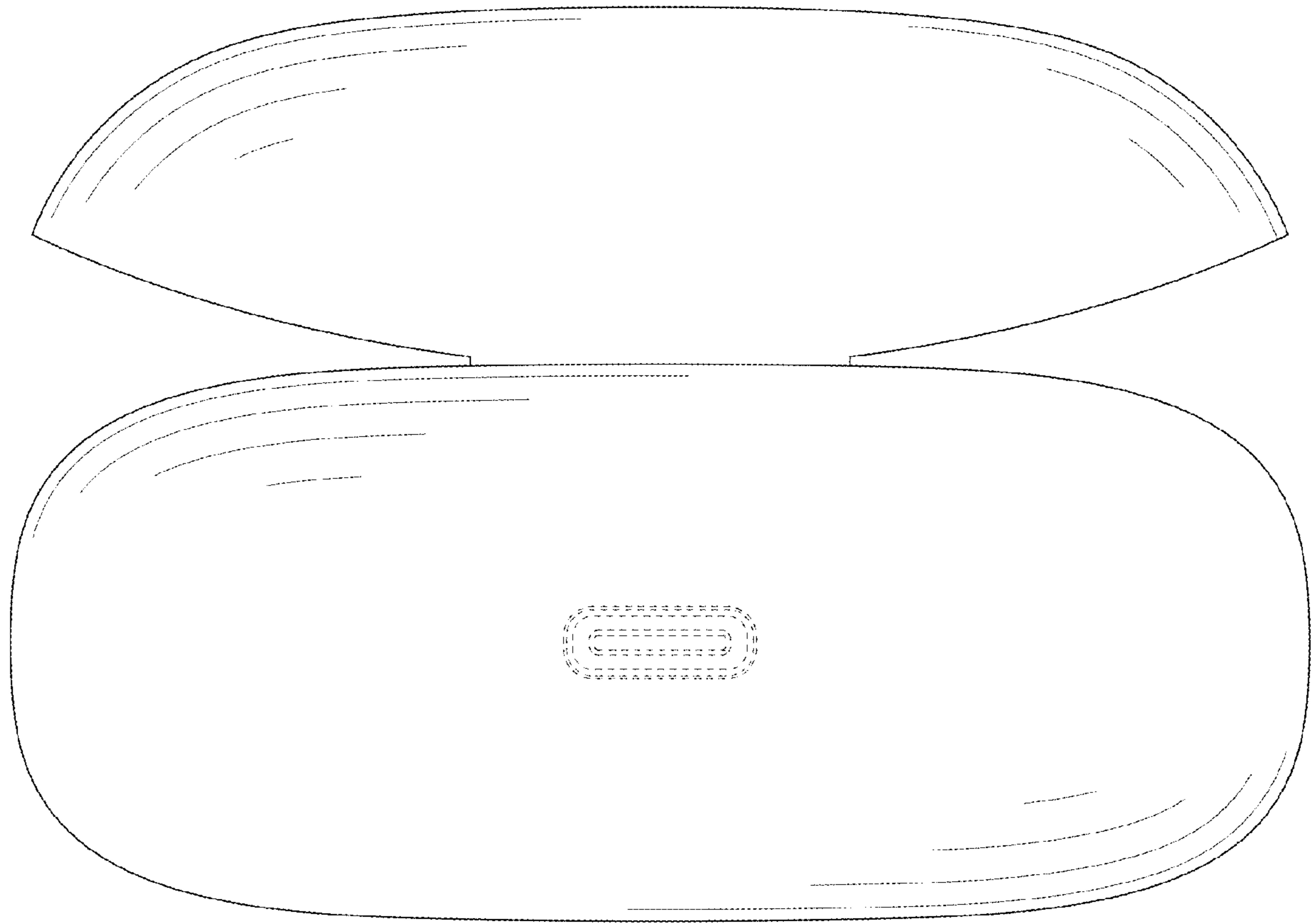


FIG. 16

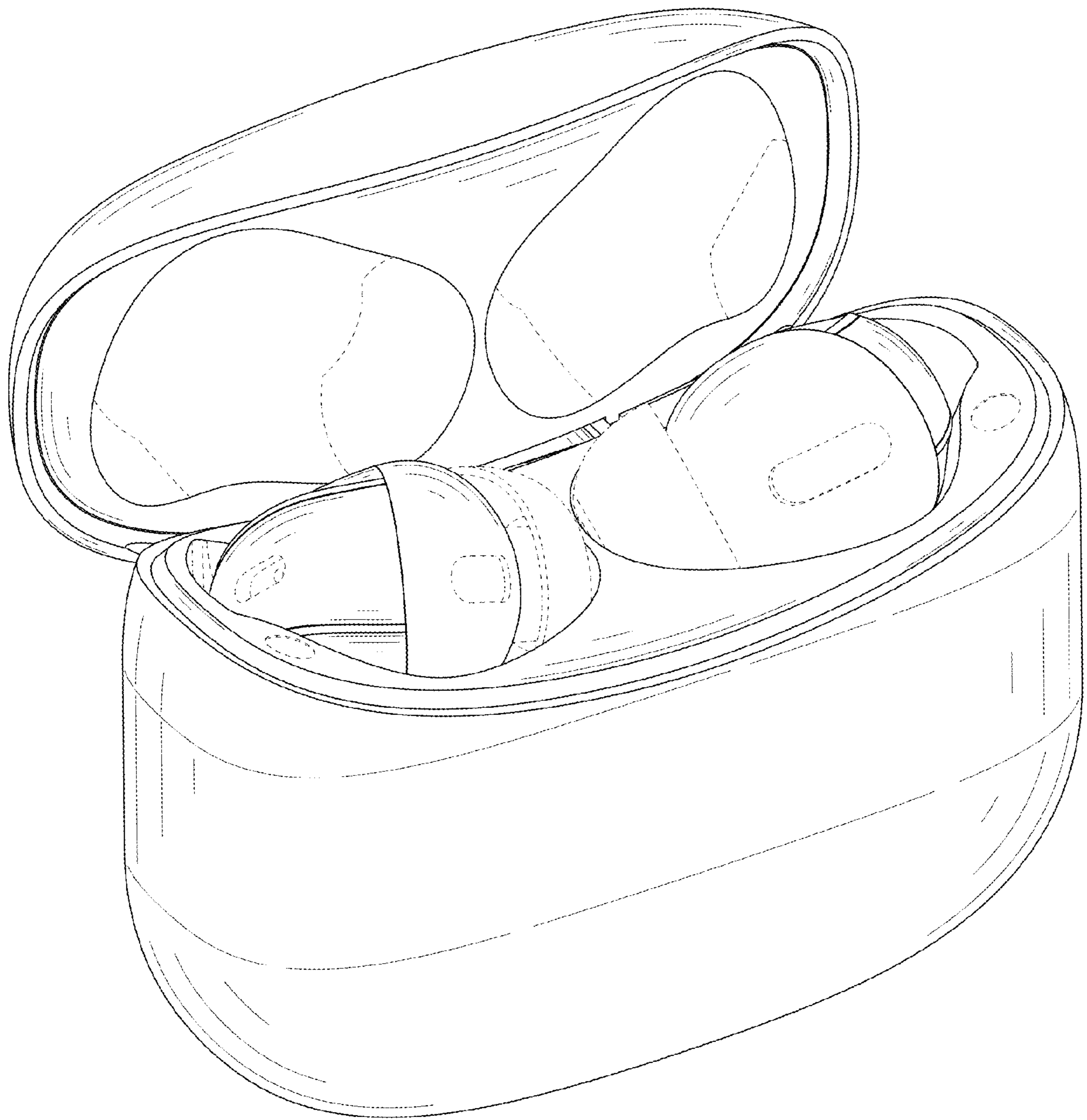


FIG. 17

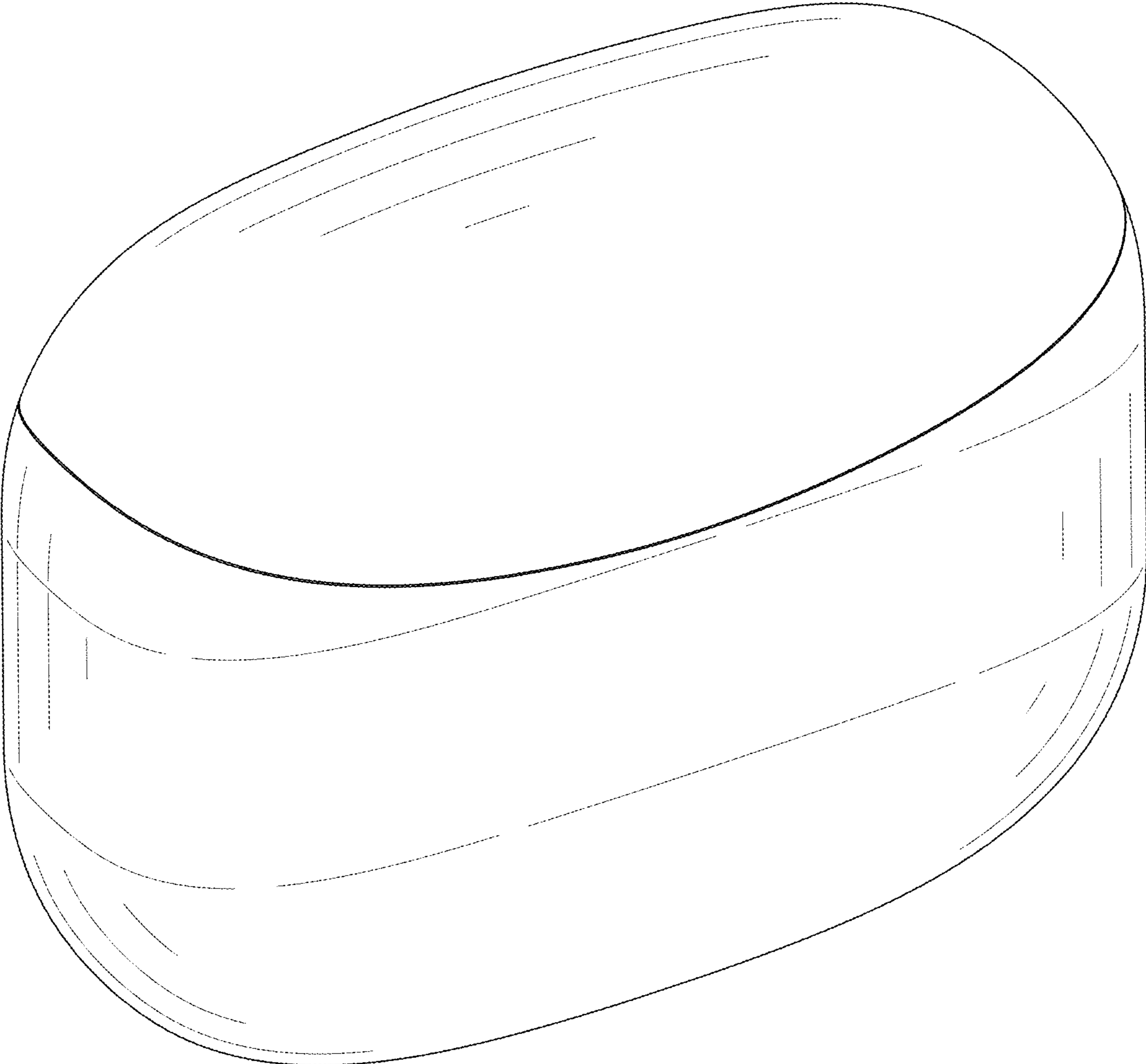


FIG. 18