



US00D953302S

(12) **United States Design Patent**
Zhang et al.

(10) **Patent No.:** **US D953,302 S**
(45) **Date of Patent:** **** May 31, 2022**

(54) **WIRELESS EARPHONE**

FOREIGN PATENT DOCUMENTS

(71) Applicant: **Ugreen Group Limited**, Shenzhen (CN)

CN 305859744 * 6/2020
CN 306071439 * 9/2020

(Continued)

(72) Inventors: **Qingsen Zhang**, Shenzhen (CN);
Junling Chen, Shenzhen (CN); **Yuchi Wang**, Shenzhen (CN)

Primary Examiner — Paula Allen Greene

(57) **CLAIM**

The ornamental design for a wireless earphone, as shown and described.

(**) Term: **15 Years**

DESCRIPTION

(21) Appl. No.: **29/746,820**

(22) Filed: **Aug. 18, 2020**

(51) **LOC (13) Cl.** **14-01**

(52) **U.S. Cl.**
USPC **D14/223**

(58) **Field of Classification Search**
USPC D14/223, 205; D24/174; 128/864–866;
381/380, 381, 322, 328; 455/90.3, 575.1,
455/569.1
CPC H04R 1/10; H04R 25/00; H04R 25/02;
H04R 1/1066; H04R 1/1016; H04R
5/033; H04R 5/0335; H04R 1/1083;
H04R 1/1091; H04R 1/1058

See application file for complete search history.

FIG. 1 is a first perspective view of the first embodiment of a wireless earphone showing my new design;
FIG. 2 is a second perspective view of the first embodiment thereof;
FIG. 3 is a front view of the first, embodiment thereof;
FIG. 4 is a back view of the first embodiment thereof;
FIG. 5 is a left side view of the first embodiment thereof;
FIG. 6 is a right side view of the first embodiment thereof;
FIG. 7 is a top view of the first embodiment thereof;
FIG. 8 is a bottom view of the first embodiment thereof;
FIG. 9 is a first perspective view of the second embodiment of a wireless earphone showing my new design;
FIG. 10 is a second perspective view of the second embodiment thereof;
FIG. 11 is a front view of the second embodiment thereof;
FIG. 12 is a back view of the second embodiment thereof;
FIG. 13 is a left side view of the second embodiment thereof;
FIG. 14 is a right side view of the second embodiment thereof;
FIG. 15 is a top view of the second embodiment thereof;
and,
FIG. 16 is a bottom view of the second embodiment thereof.
The broken lines shown in the drawings depict portions of the wireless earphone in which the design is embodied that form no part of the claimed design.

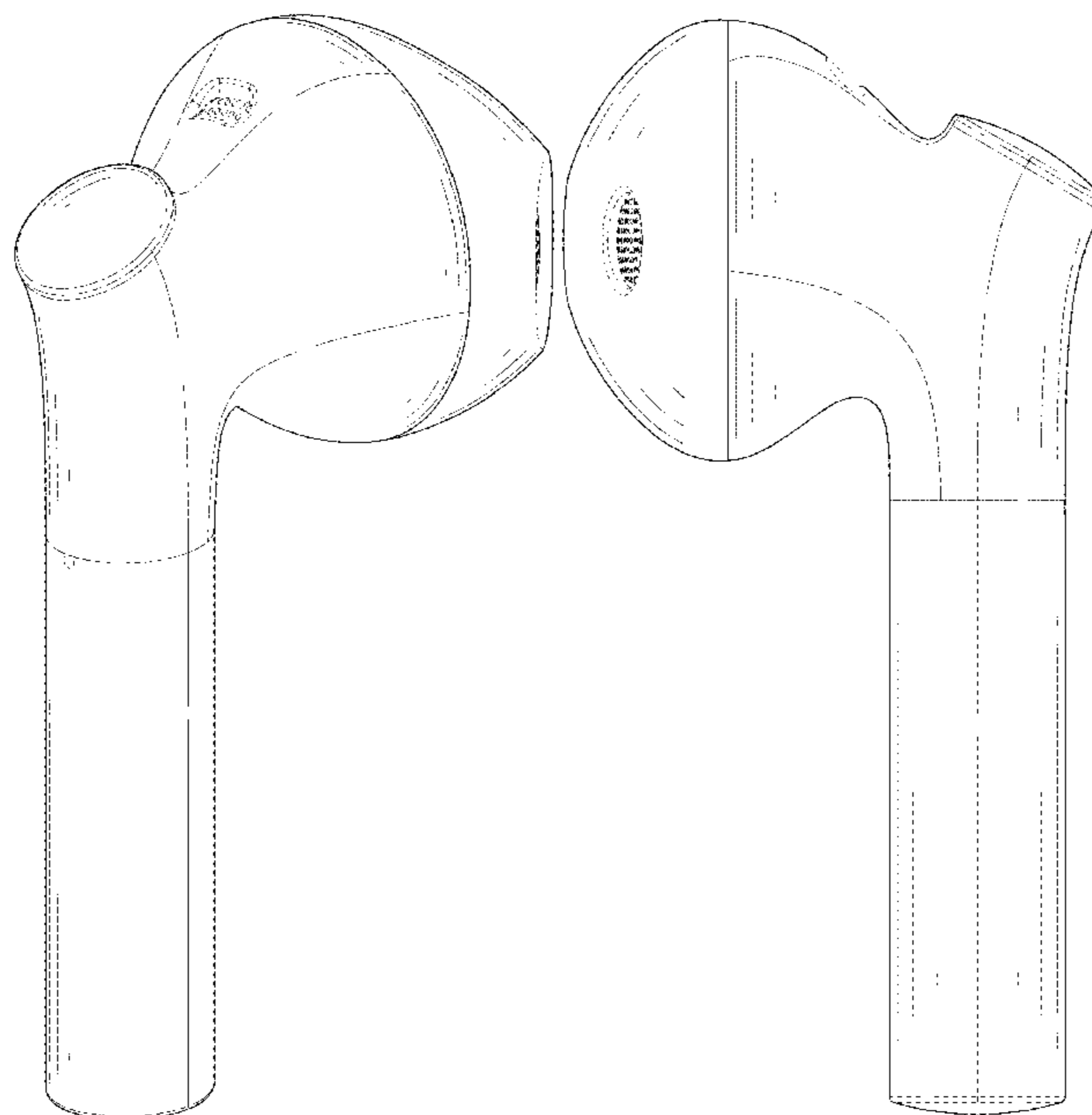
(56) **References Cited**

U.S. PATENT DOCUMENTS

D784,962 S * 4/2017 Yang D14/223
D801,314 S * 10/2017 Akana D14/223
D817,933 S * 5/2018 Liu D14/223
D822,009 S * 7/2018 Matoba D14/223
D830,336 S * 10/2018 Cai D14/205
D830,345 S * 10/2018 Cai D14/223
D831,619 S * 10/2018 Matoba D14/223

(Continued)

1 Claim, 16 Drawing Sheets



(56)

References Cited

U.S. PATENT DOCUMENTS

D832,824 S * 11/2018 Kim D14/223
 D847,125 S * 4/2019 Akana D14/206
 D847,794 S * 5/2019 Guo D14/223
 D848,979 S * 5/2019 Kim D14/223
 D848,980 S * 5/2019 Kim D14/223
 D848,983 S * 5/2019 Kim D14/223
 D853,995 S * 7/2019 Cai D14/223
 D861,647 S * 10/2019 Chen D14/223
 D863,260 S * 10/2019 Zheng D14/223
 D863,266 S * 10/2019 Kim D14/223
 D864,165 S * 10/2019 Roberts D14/223
 D864,919 S * 10/2019 Bonahoom D14/223
 D865,720 S * 11/2019 Deng D14/223
 D869,445 S * 12/2019 Hu D14/223
 D872,711 S * 1/2020 Hu D14/223
 D878,336 S * 3/2020 Shiwaku D14/223
 D878,337 S * 3/2020 Yang D14/223
 D883,260 S * 5/2020 Hu D14/223
 D883,960 S * 5/2020 Du D14/223
 D885,373 S * 5/2020 Lundback D14/223
 D887,396 S * 6/2020 Wang D14/223
 D888,691 S * 6/2020 Liu D14/223
 D889,436 S * 7/2020 Zhang D14/206

D889,439 S * 7/2020 Hsieh D14/223
 D889,440 S * 7/2020 Yan D14/223
 D890,138 S * 7/2020 Peng D14/223
 D890,724 S * 7/2020 Li D14/223
 D892,771 S * 8/2020 Zhao D14/223
 D902,181 S * 11/2020 Maeda D14/223
 D904,347 S * 12/2020 Yamamoto D14/223
 D918,178 S * 5/2021 Chen D14/223
 D918,179 S * 5/2021 Zhao D14/223
 D940,690 S * 1/2022 Zhang D14/223
 D940,691 S * 1/2022 Zhang D14/223
 2012/0237074 A1 * 9/2012 Aase H04R 1/1058
 29/858
 2017/0164087 A1 * 6/2017 Kurtz H04R 1/1016
 2019/0373354 A1 * 12/2019 Sondergaard H04R 1/1016
 2020/0015000 A1 * 1/2020 Shiwaku H04R 1/1016
 2020/0196047 A1 * 6/2020 Irii H04R 7/16
 2020/0296499 A1 * 9/2020 Chen H04R 1/1016
 2021/0152910 A1 * 5/2021 Llewelyn H04L 51/046

FOREIGN PATENT DOCUMENTS

CN 307068294 * 1/2022
 EM 008727382-0001 * 10/2021

* cited by examiner

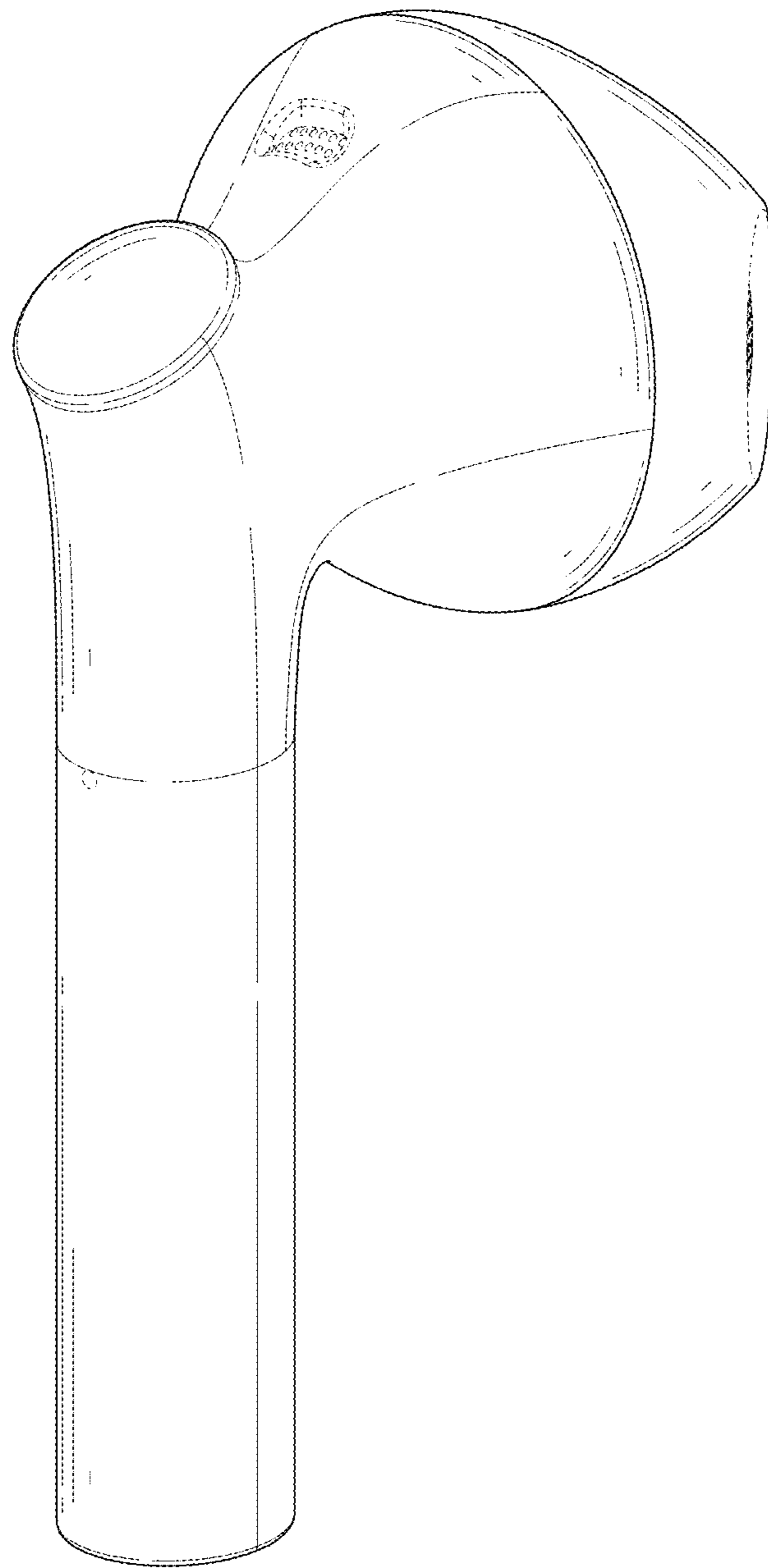


FIG. 1

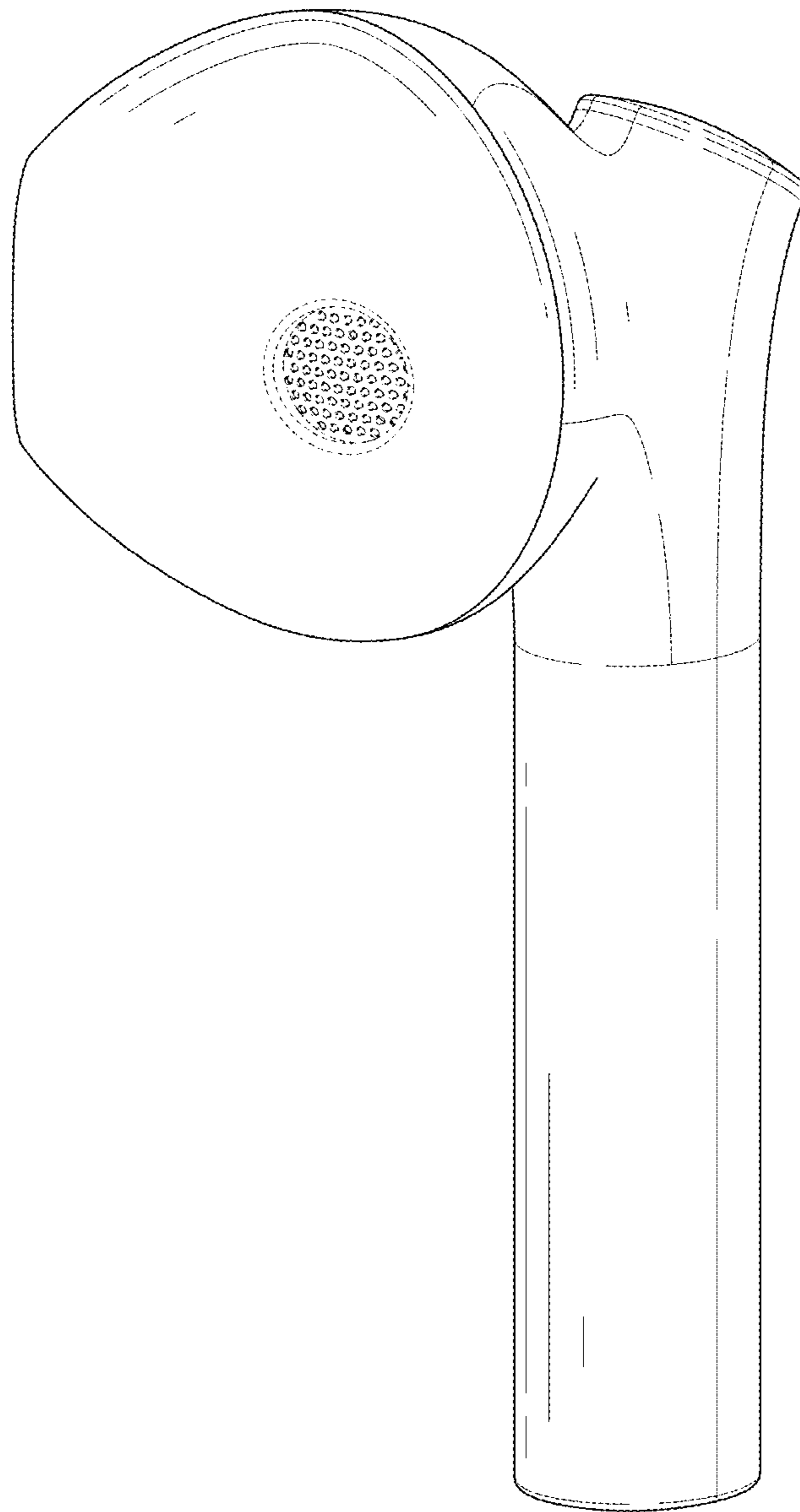


FIG. 2

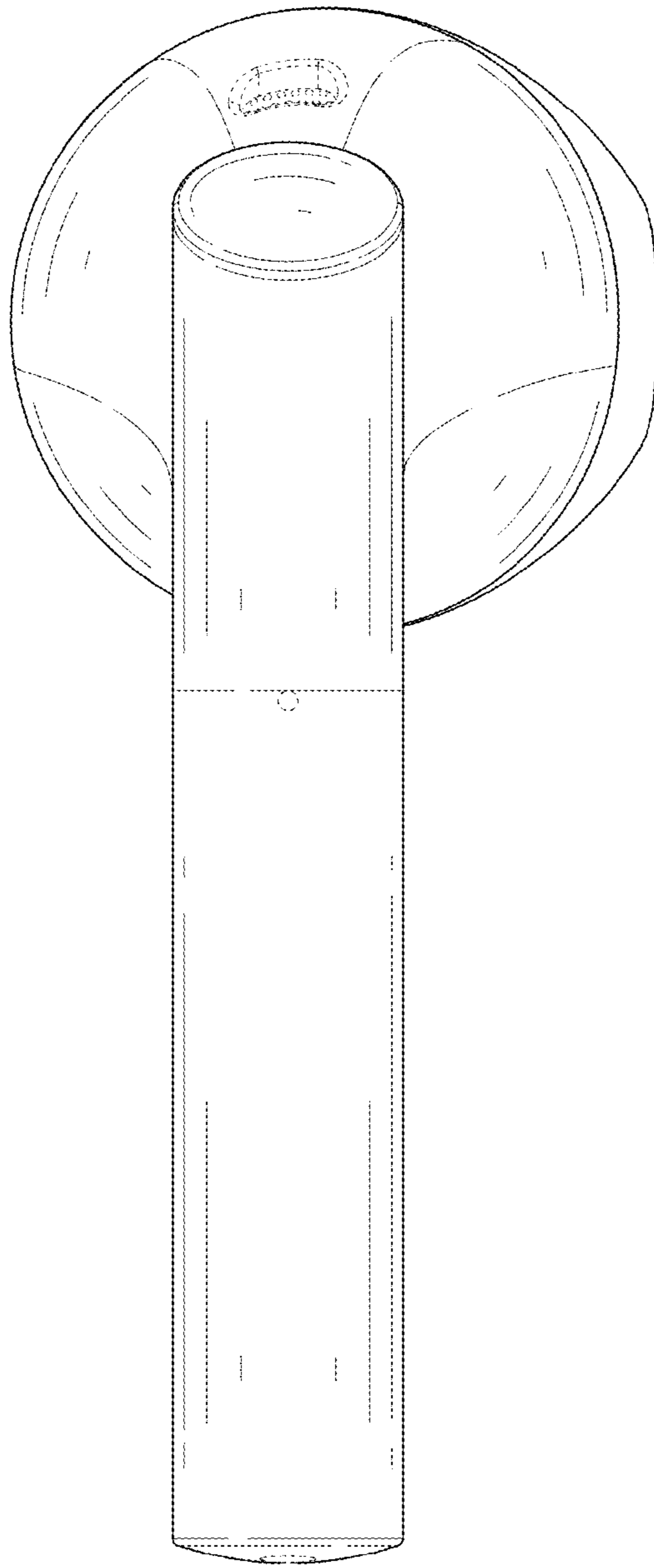


FIG. 3

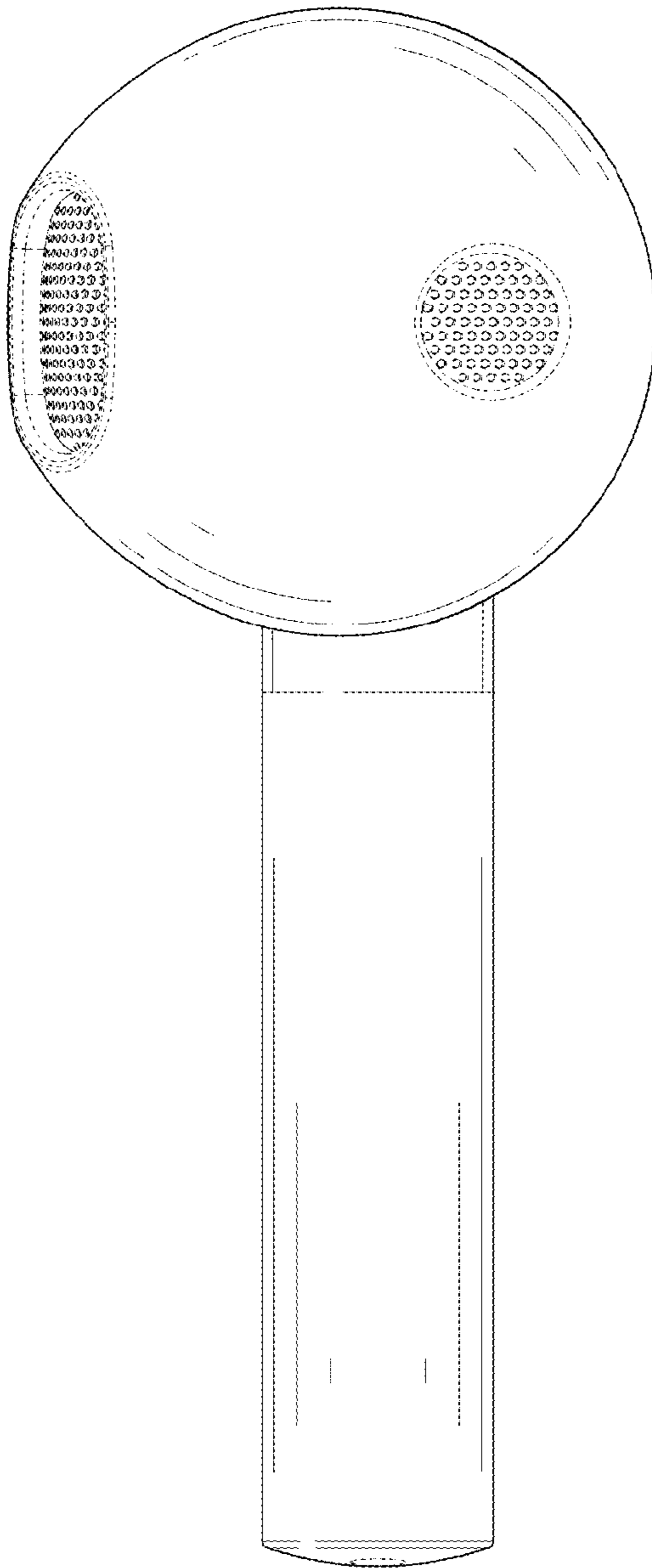


FIG. 4

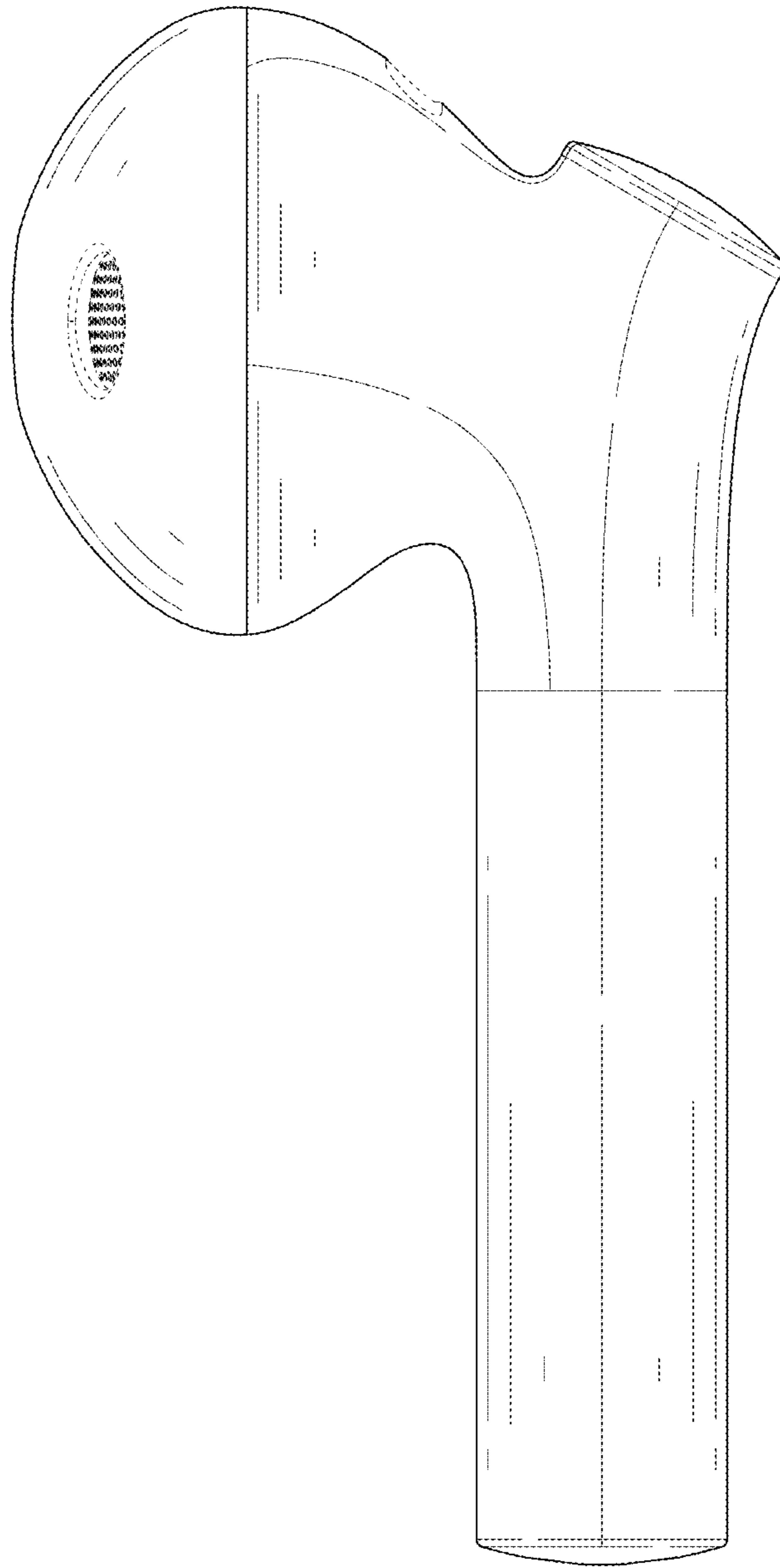


FIG. 5

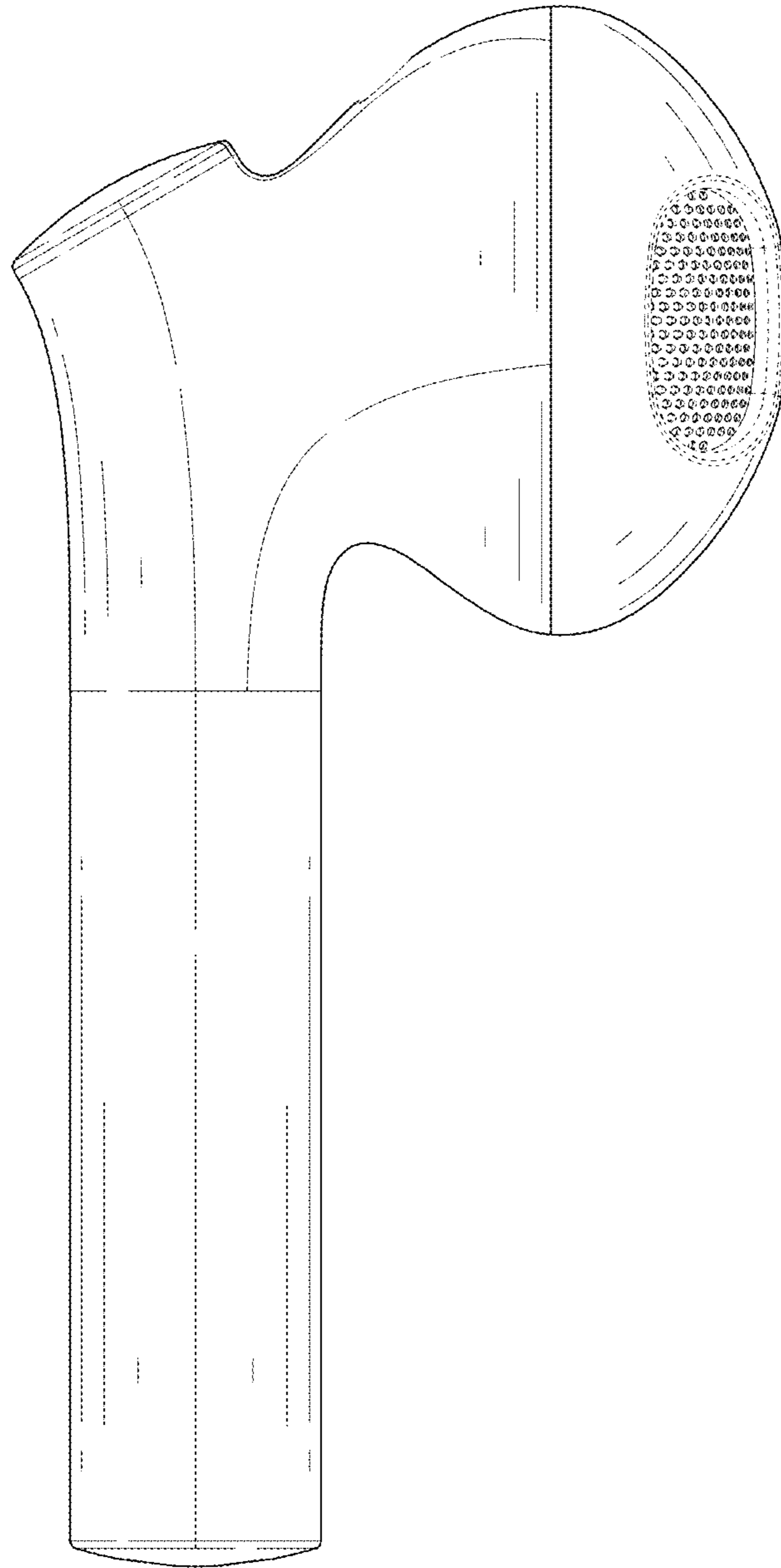


FIG. 6

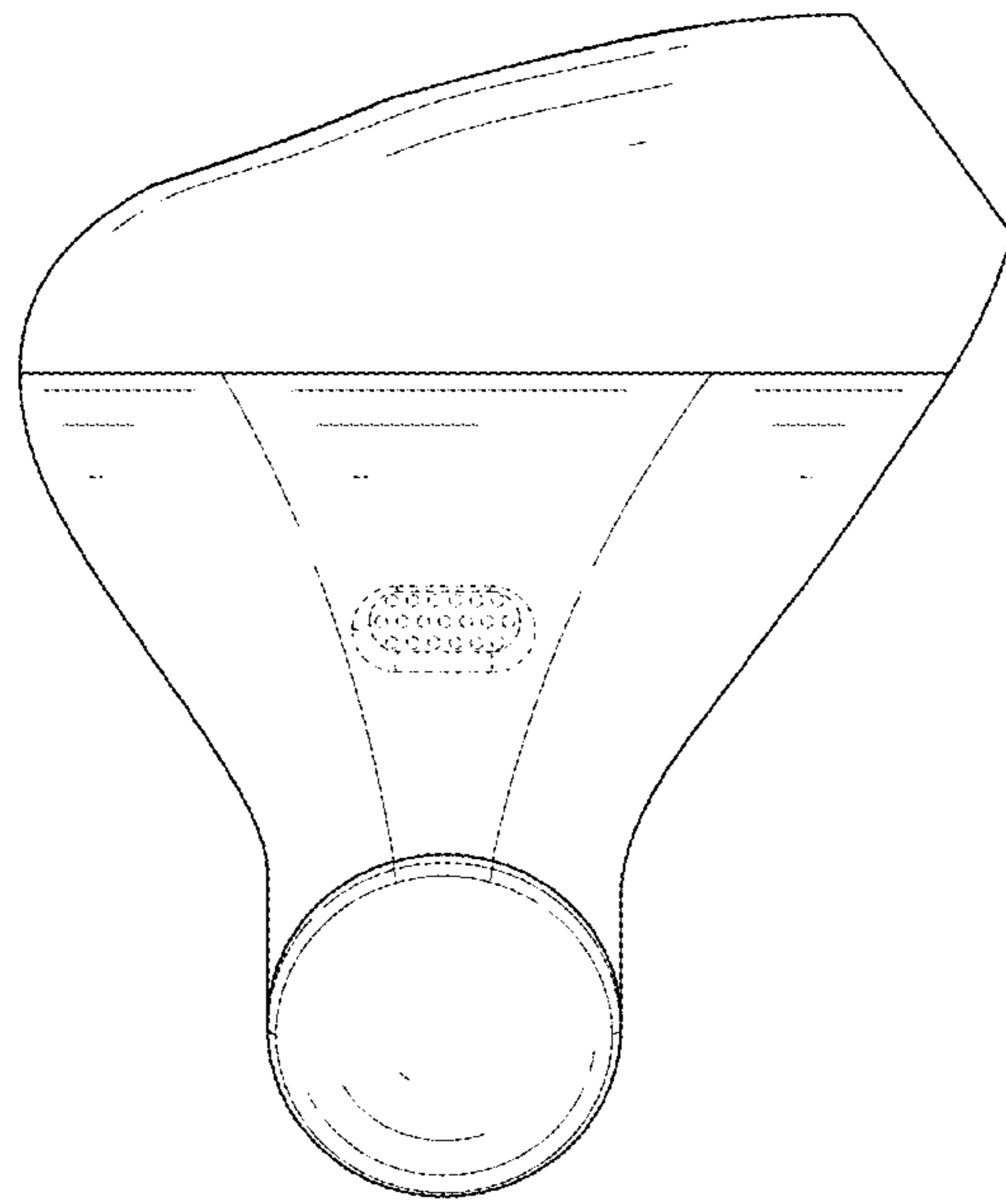


FIG. 7

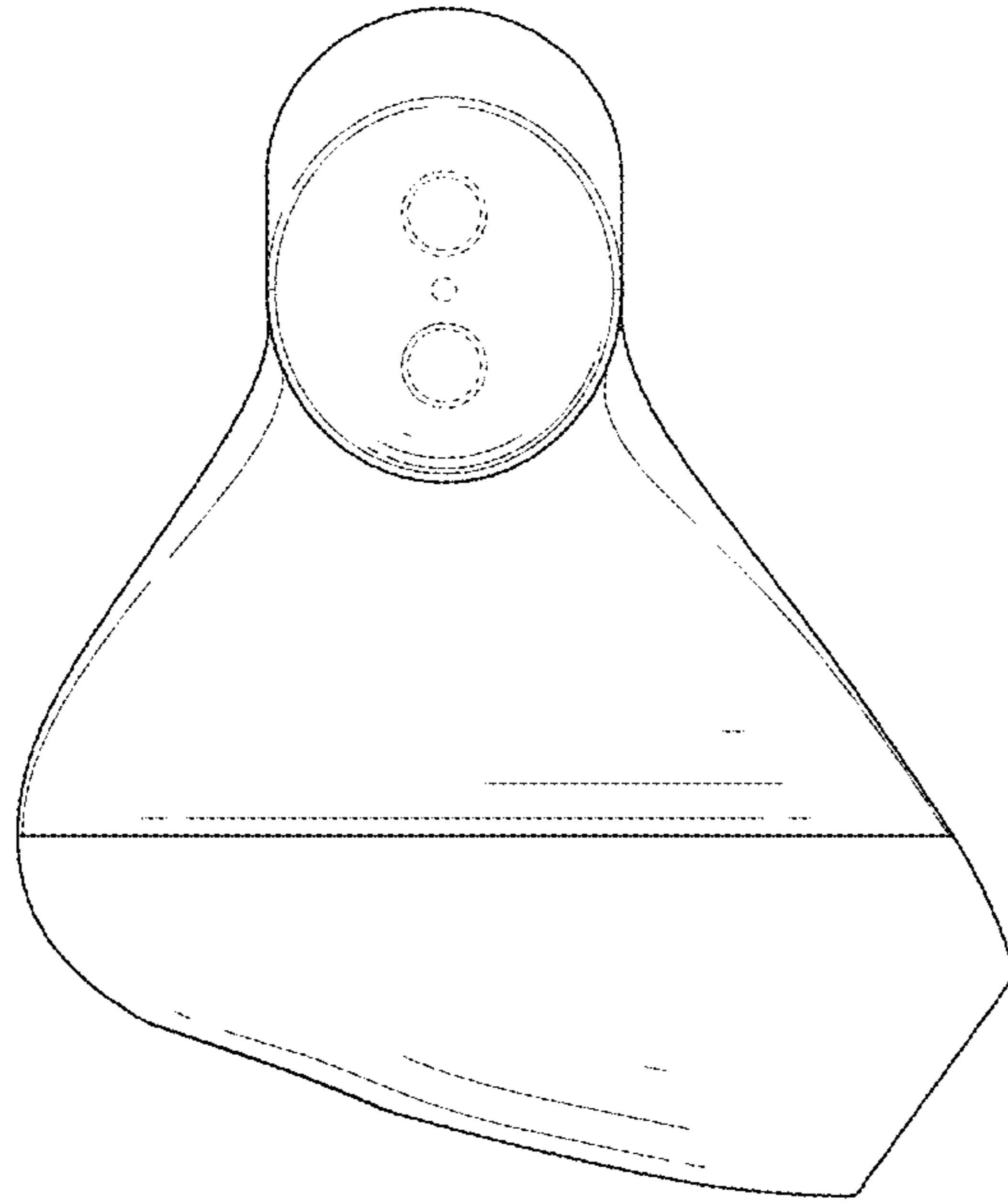


FIG. 8

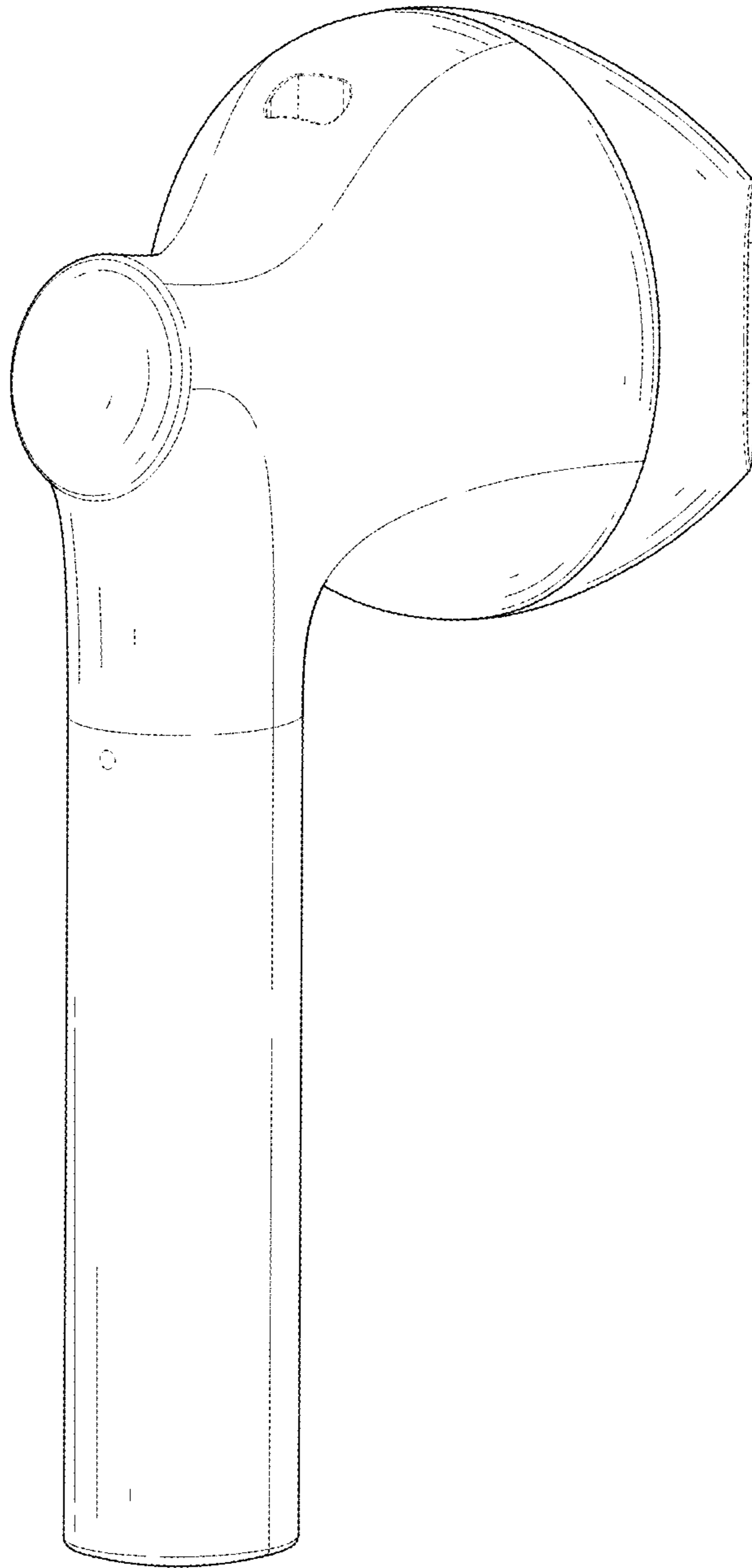


FIG. 9

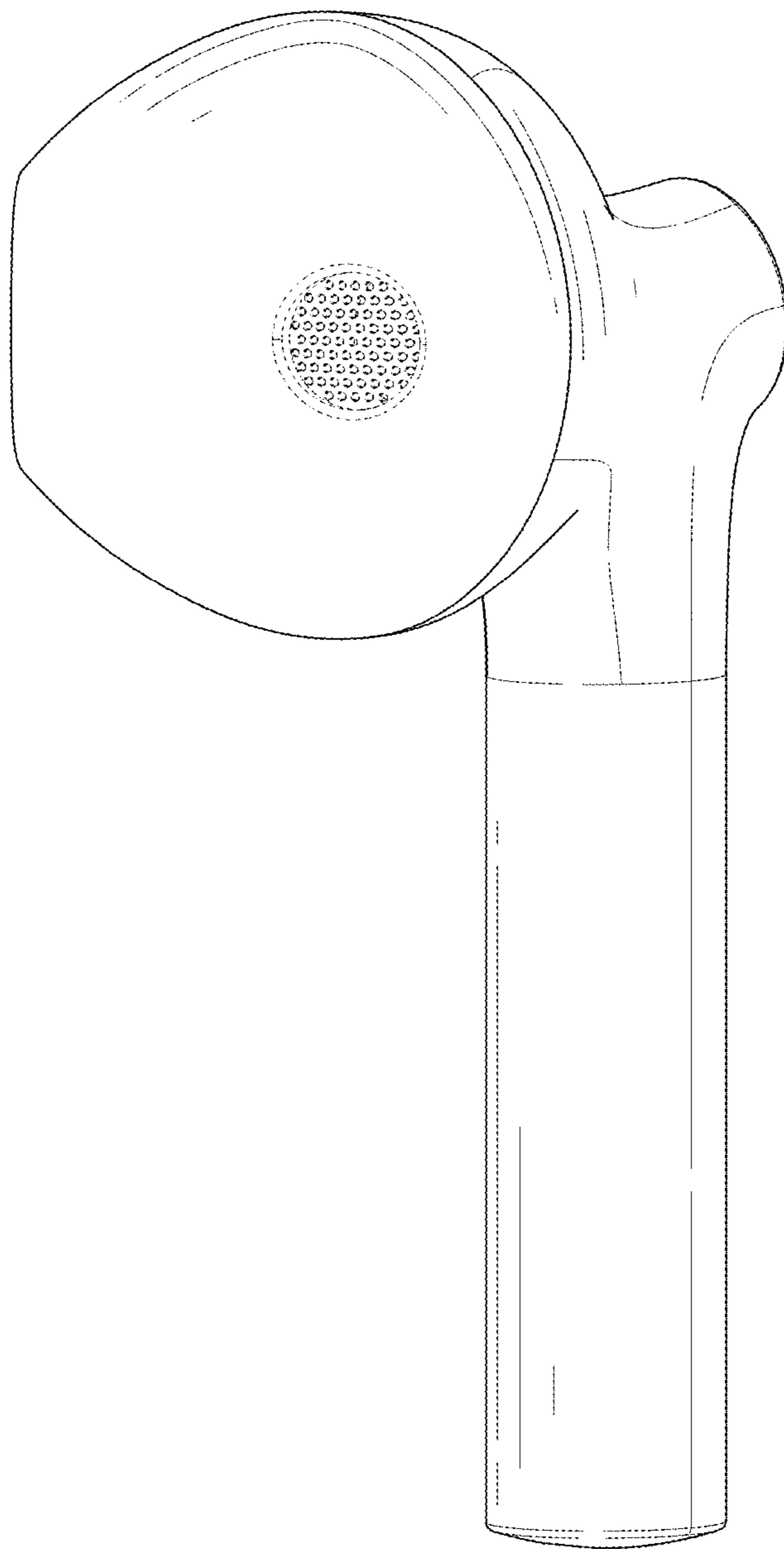


FIG. 10

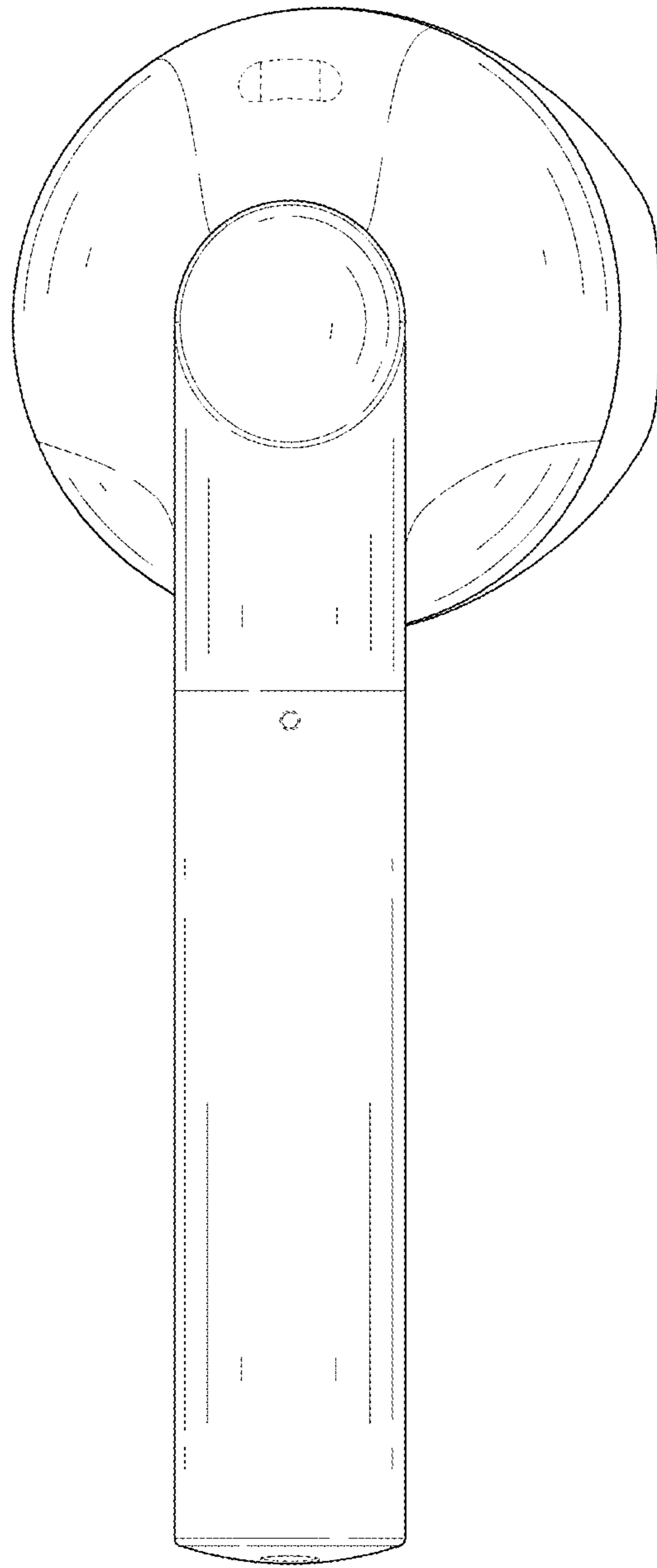


FIG. 11

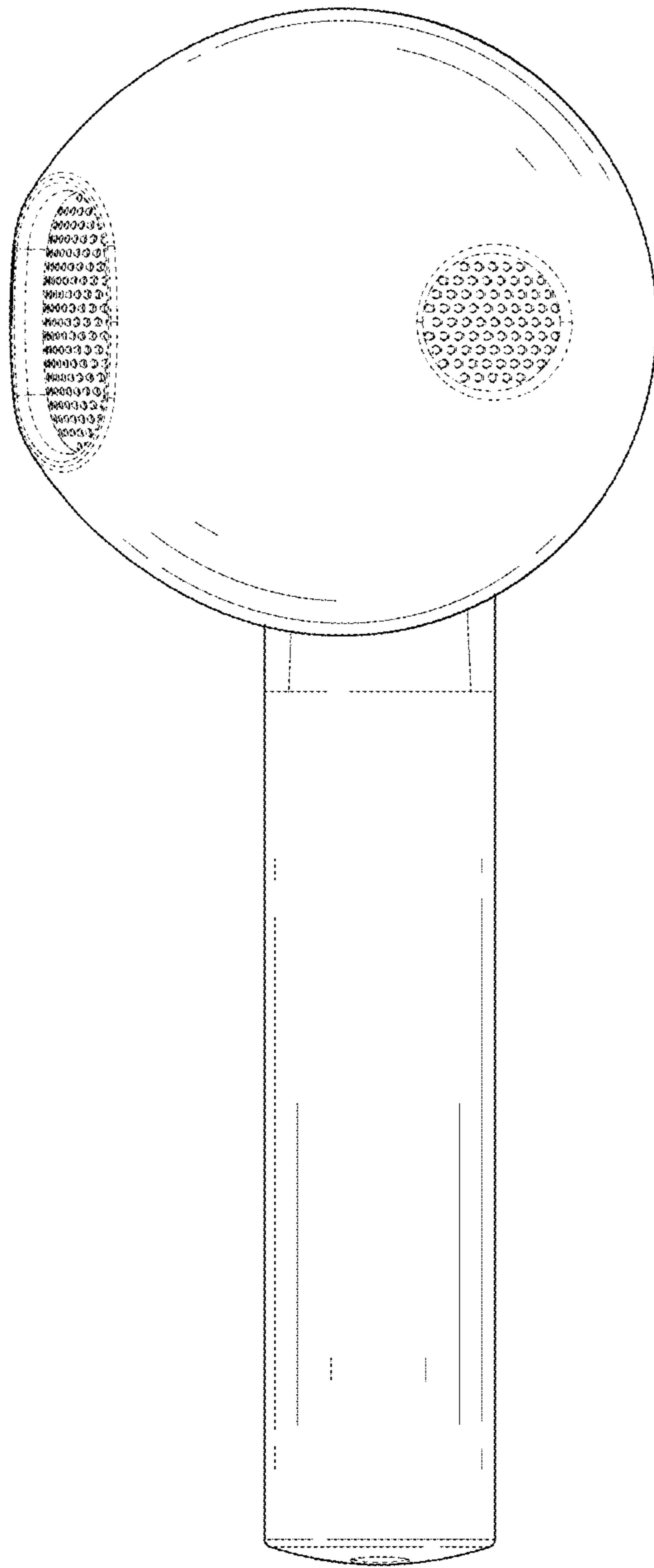


FIG. 12

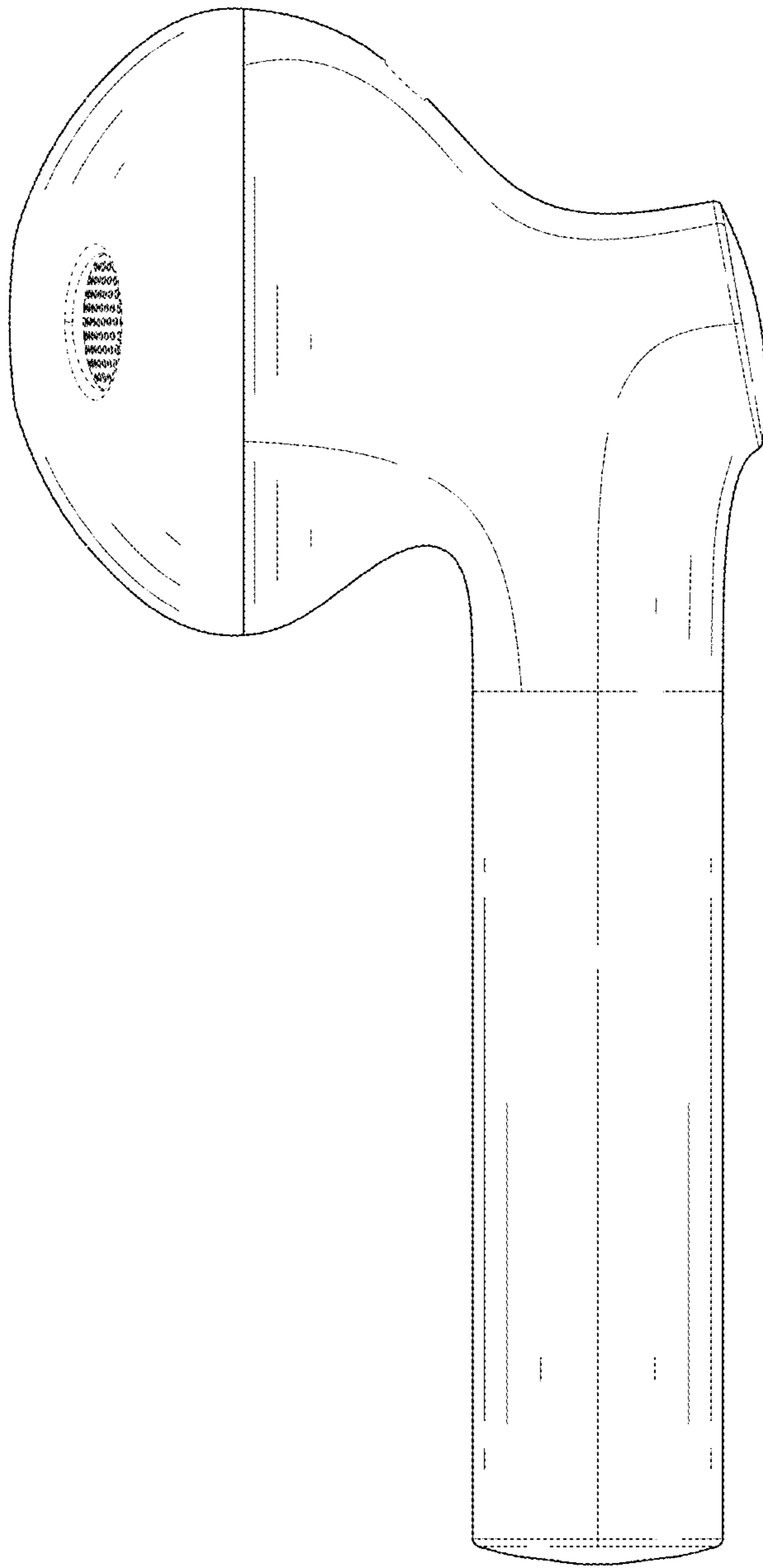


FIG. 13

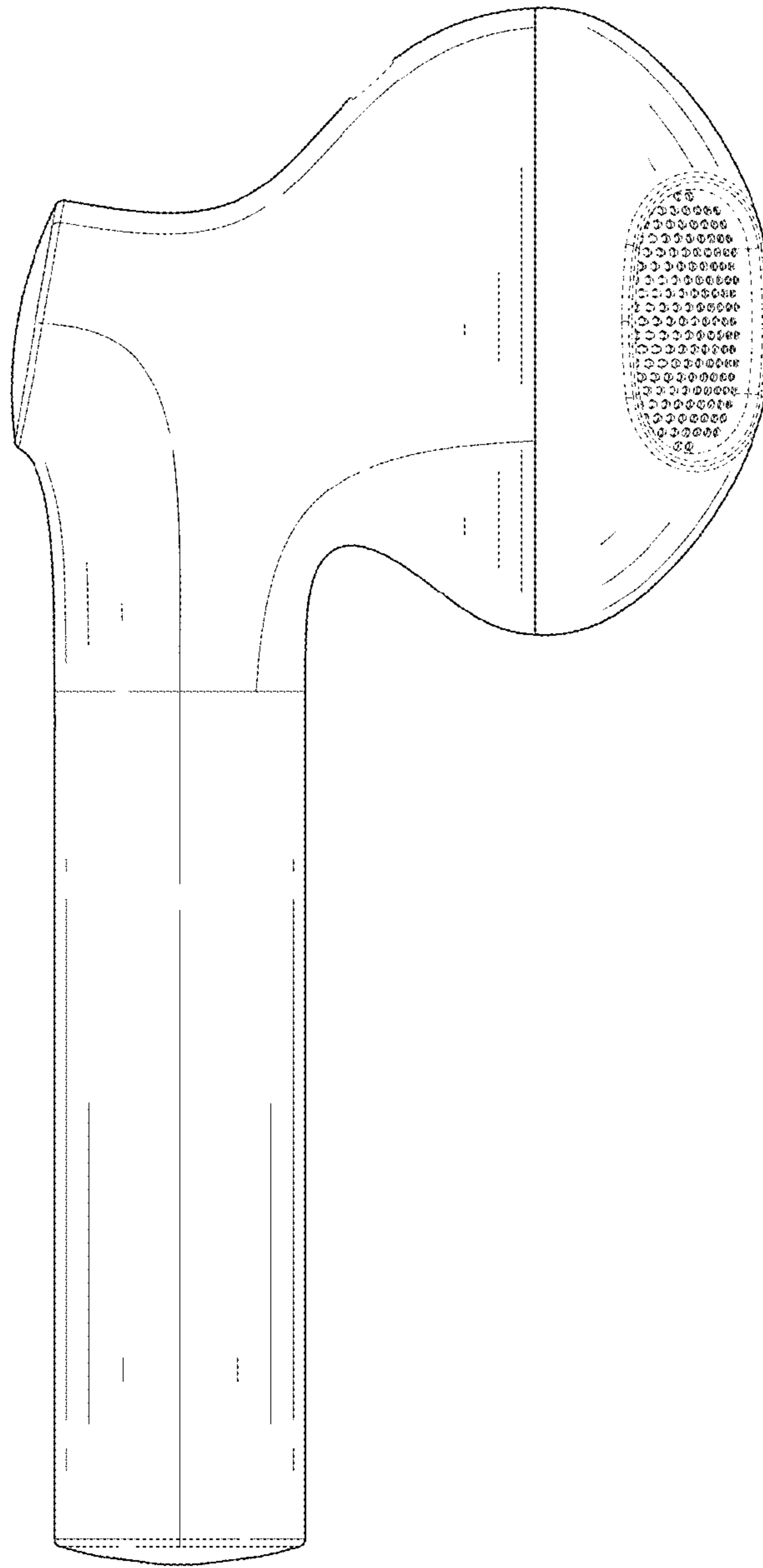


FIG. 14

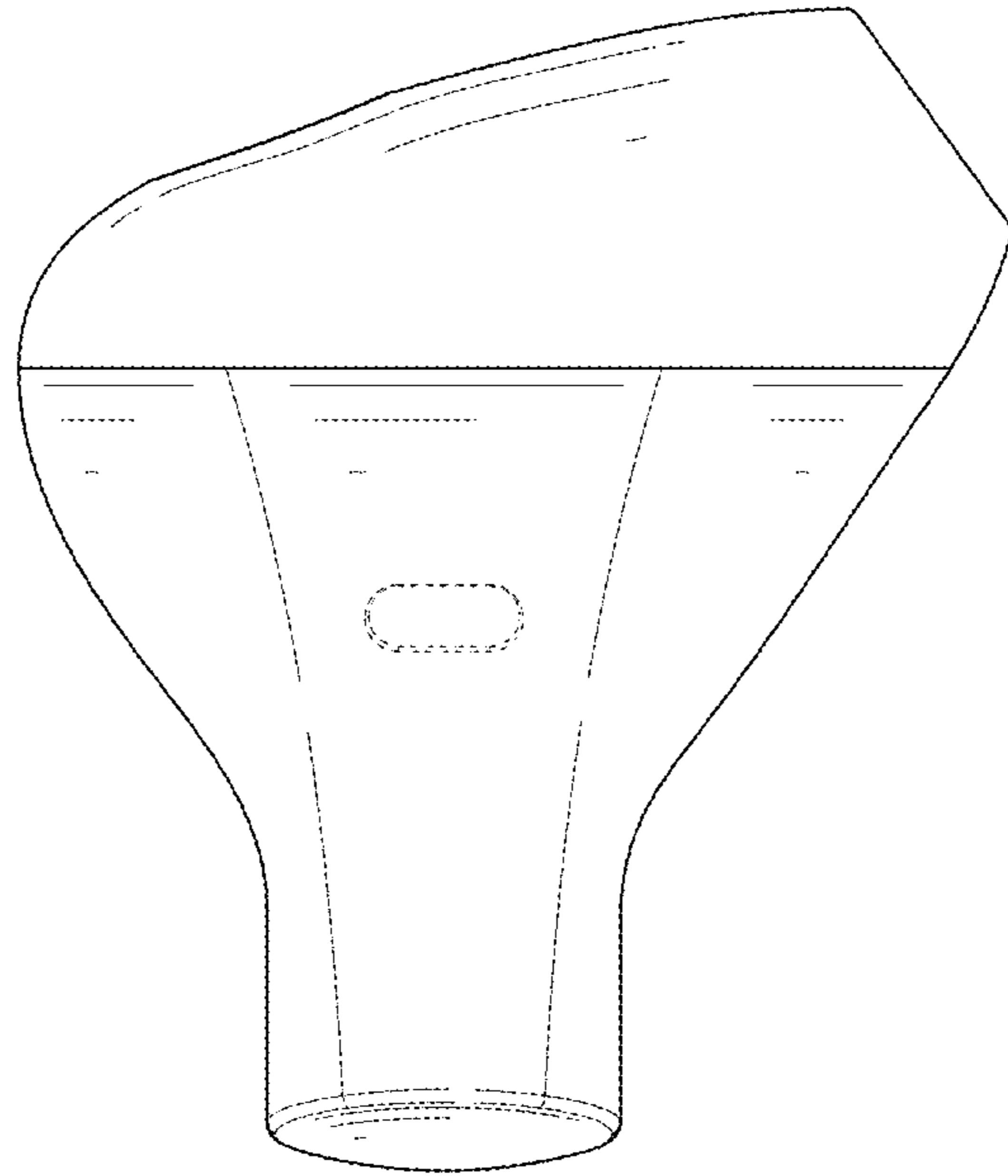


FIG. 15

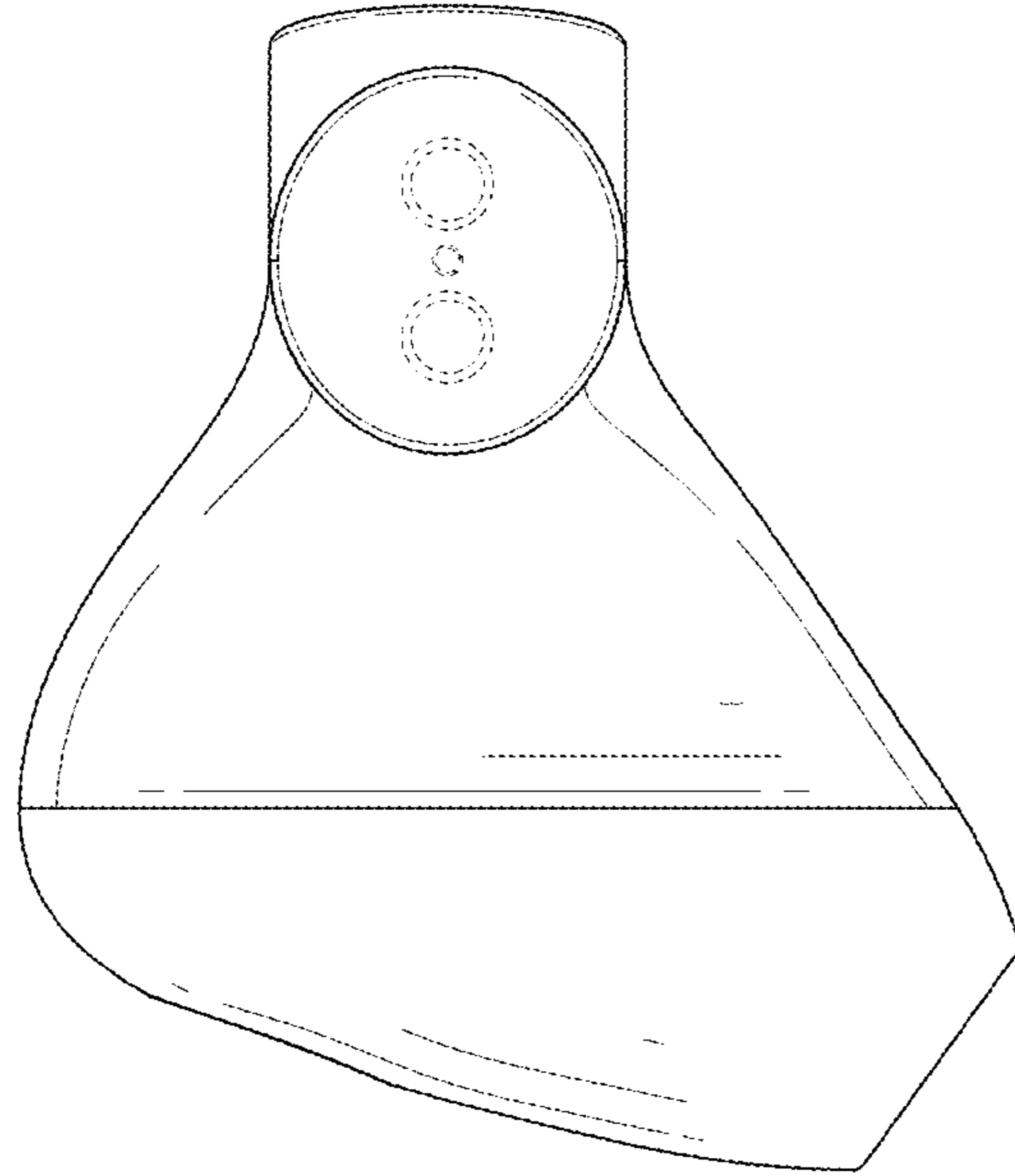


FIG. 16