



US00D953300S

(12) **United States Design Patent**
Li

(10) **Patent No.:** **US D953,300 S**

(45) **Date of Patent:** **** May 31, 2022**

(54) **EARPHONES**

(71) Applicant: **Shenzhen NearbyExpress Technology Development Company Limited**,
Shenzhen (CN)

(72) Inventor: **He-Tian Li**, Shenzhen (CN)

(73) Assignee: **Shenzhen NearbyExpress Technology Development Company Limited**,
Shenzhen (CN)

(**) Term: **15 Years**

(21) Appl. No.: **29/715,370**

(22) Filed: **Dec. 2, 2019**

(30) **Foreign Application Priority Data**

Oct. 18, 2019 (CN) 201930569839.0

(51) **LOC (13) Cl.** **14-01**

(52) **U.S. Cl.**
USPC **D14/223**

(58) **Field of Classification Search**
USPC D14/223, 205; D24/174; 128/864, 865,
128/866; 381/380, 381; 455/90.3, 575.1,
455/569.1
CPC H04R 1/10; H04R 25/00; H04R 25/02;
H04R 1/1016; H04R 1/1066; H04R
5/033; H04R 5/0335; H04R 1/1058;
H04R 1/1091
See application file for complete search history.

(56) **References Cited**

U.S. PATENT DOCUMENTS

D499,397 S * 12/2004 Hlas D14/223
D554,109 S * 10/2007 Ledbetter D14/223
D555,152 S * 11/2007 Wang D14/223
D566,099 S * 4/2008 Komiyama D14/206
D572,242 S * 7/2008 Yang D14/205

D583,804 S * 12/2008 Mahler D14/223
D627,765 S * 11/2010 Zheng D14/223
D641,738 S * 7/2011 Perez D14/223
D662,493 S * 6/2012 Chen D14/223
D666,581 S * 9/2012 Perez D14/223
D666,996 S * 9/2012 Hardi D14/223
D671,531 S * 11/2012 Kim D14/223
D673,531 S * 1/2013 Lee D14/223
D681,016 S * 4/2013 Ishinabe D14/224
D693,796 S * 11/2013 Birger D14/223
D695,721 S * 12/2013 Thompson D14/223
D707,206 S * 6/2014 Akana H04R 1/10
D711,857 S * 8/2014 Burgett D14/223
D718,284 S * 11/2014 Shibusawa D14/223

(Continued)

FOREIGN PATENT DOCUMENTS

CN 306382272 * 3/2021
CN 306495086 * 4/2021

(Continued)

Primary Examiner — Paula Allen Greene
(74) *Attorney, Agent, or Firm* — ScienBiziP, P.C.

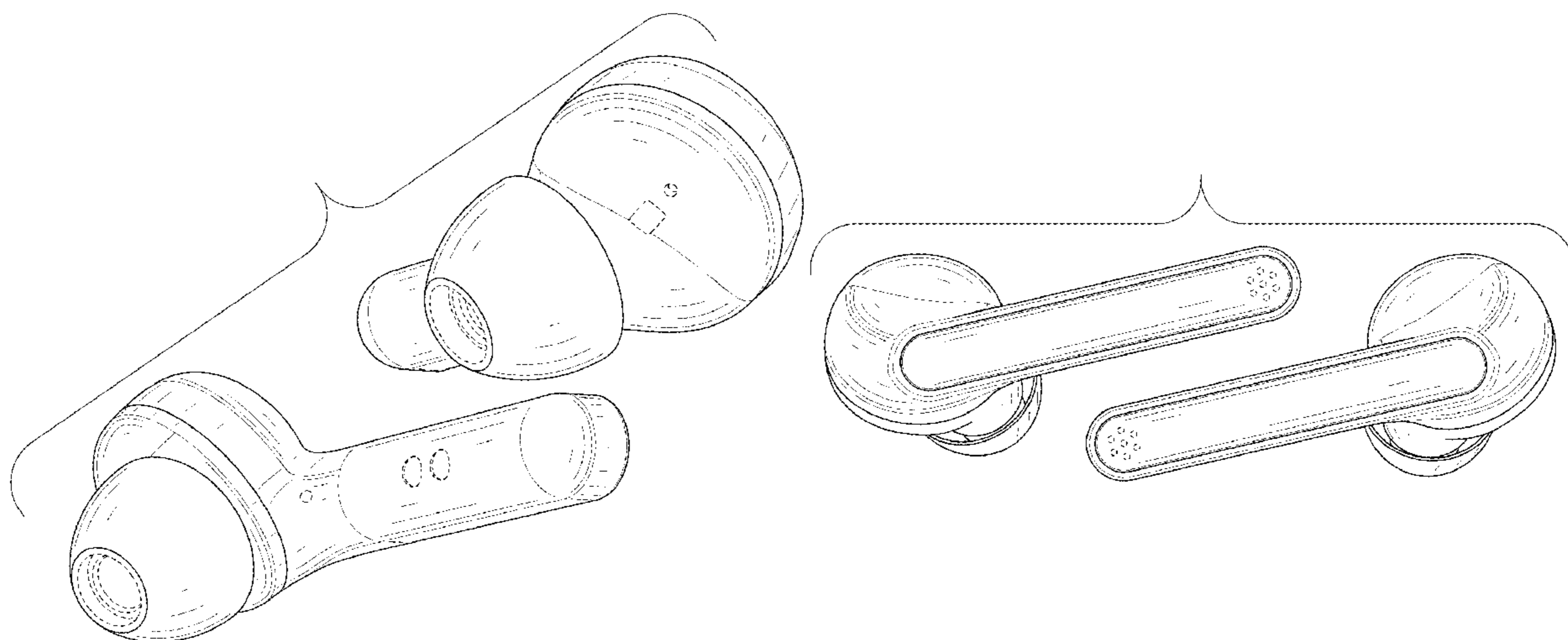
(57) **CLAIM**

The ornamental design for earphones, as shown and described.

DESCRIPTION

FIG. 1 is a top, front, left side perspective view of earphones, showing my design.
FIG. 2 is a front elevation view thereof.
FIG. 3 is a rear elevation view thereof.
FIG. 4 is a left side elevation view thereof.
FIG. 5 is a right side elevation view thereof.
FIG. 6 is a top plan view thereof; and,
FIG. 7 is a bottom plan view thereof.
The broken line depict portions of the earphones that form no part of the claimed design.

1 Claim, 7 Drawing Sheets



(56)

References Cited

U.S. PATENT DOCUMENTS

D728,553 S * 5/2015 Kim D14/250
 D730,876 S * 6/2015 Dahlberg D14/223
 D732,008 S * 6/2015 Akana H04R 1/10
 D733,101 S * 6/2015 Pi D14/223
 D733,689 S * 7/2015 Narita D14/223
 D738,864 S * 9/2015 Lee D14/223
 D741,287 S * 10/2015 Harata D14/205
 D757,682 S * 5/2016 Perez D14/205
 D760,202 S * 6/2016 Hsieh D14/223
 D761,760 S * 7/2016 Poulsen D14/205
 D770,412 S * 11/2016 Son D14/205
 D784,962 S * 4/2017 Yang D14/223
 D803,184 S * 11/2017 Loh Jun Kern D14/205
 D820,809 S * 6/2018 Akana D14/205
 D821,362 S * 6/2018 Vaclavik D14/223
 D832,824 S * 11/2018 Kim D14/223
 D847,125 S * 4/2019 Akana D14/223
 D847,794 S * 5/2019 Guo D14/223
 D848,981 S * 5/2019 Kim D14/223
 D848,982 S * 5/2019 Kim D14/223
 D848,983 S * 5/2019 Kim D14/223
 D853,995 S * 7/2019 Cai D14/223
 D861,647 S * 10/2019 Chen D14/223
 D863,262 S * 10/2019 Roberts D14/223
 D864,165 S * 10/2019 Roberts D14/223
 D864,169 S * 10/2019 Min D14/223
 D869,445 S * 12/2019 Hu D14/223
 D878,337 S * 3/2020 Yang D14/223
 D882,553 S * 4/2020 Wu D14/223
 D883,260 S * 5/2020 Hu D14/223
 D888,691 S * 6/2020 Liu D14/223
 D889,437 S * 7/2020 Ando D14/223
 D890,138 S * 7/2020 Peng D14/223
 D890,724 S * 7/2020 Li D14/223
 D893,462 S * 8/2020 Liu D14/223
 D894,875 S * 9/2020 Zhao D14/223
 D895,579 S * 9/2020 Yang D14/223
 D895,582 S * 9/2020 Wu D14/223
 D896,206 S * 9/2020 Xu D14/223
 D896,207 S * 9/2020 He D14/223
 D900,065 S * 10/2020 Distefano D14/223

D901,457 S * 11/2020 Zhang D14/223
 D904,351 S * 12/2020 Zhang D14/223
 D905,018 S * 12/2020 Zhu D14/223
 D905,020 S * 12/2020 Du D14/223
 D906,297 S * 12/2020 Akana D14/223
 D906,299 S * 12/2020 Luo D14/223
 D907,008 S * 1/2021 Yao D14/223
 D907,606 S * 1/2021 Lin D14/223
 D910,600 S * 2/2021 Zhang D14/223
 D916,684 S * 4/2021 Fang D14/223
 D918,182 S * 5/2021 Chen D14/223
 D921,615 S * 6/2021 Wu D14/223
 D924,209 S * 7/2021 Wu D14/223
 D929,379 S * 8/2021 Woo D14/223
 D929,380 S * 8/2021 Park D14/223
 D931,838 S * 9/2021 Deng D14/223
 D934,839 S * 11/2021 Zhong D14/223
 2012/0237074 A1 * 9/2012 Aase H04R 1/1075
 381/380
 2012/0275635 A1 * 11/2012 Chen H04R 1/1075
 381/380
 2013/0004011 A1 * 1/2013 Hayashida H04R 1/345
 381/380
 2013/0343595 A1 * 12/2013 Zorkendorfer H04R 1/1016
 381/380
 2015/0382100 A1 * 12/2015 Azmi H04R 1/1016
 381/380
 2017/0164087 A1 * 6/2017 Kurtz H04R 1/105
 2017/0195773 A1 * 7/2017 Morris H04R 1/1075
 2019/0373354 A1 * 12/2019 Sondergaard H01R 13/562
 2020/0068283 A1 * 2/2020 Chou H04R 1/1075
 2020/0252715 A1 * 8/2020 Zhou H04R 1/1041

FOREIGN PATENT DOCUMENTS

CN 306531508 * 5/2021
 CN 306587478 * 6/2021
 CN 306647242 * 6/2021
 EM 007065123-0003 * 10/2019
 GB 9008057400-0002 * 7/2020
 JP D1660248 * 5/2020
 JP D1687970 * 5/2021

* cited by examiner

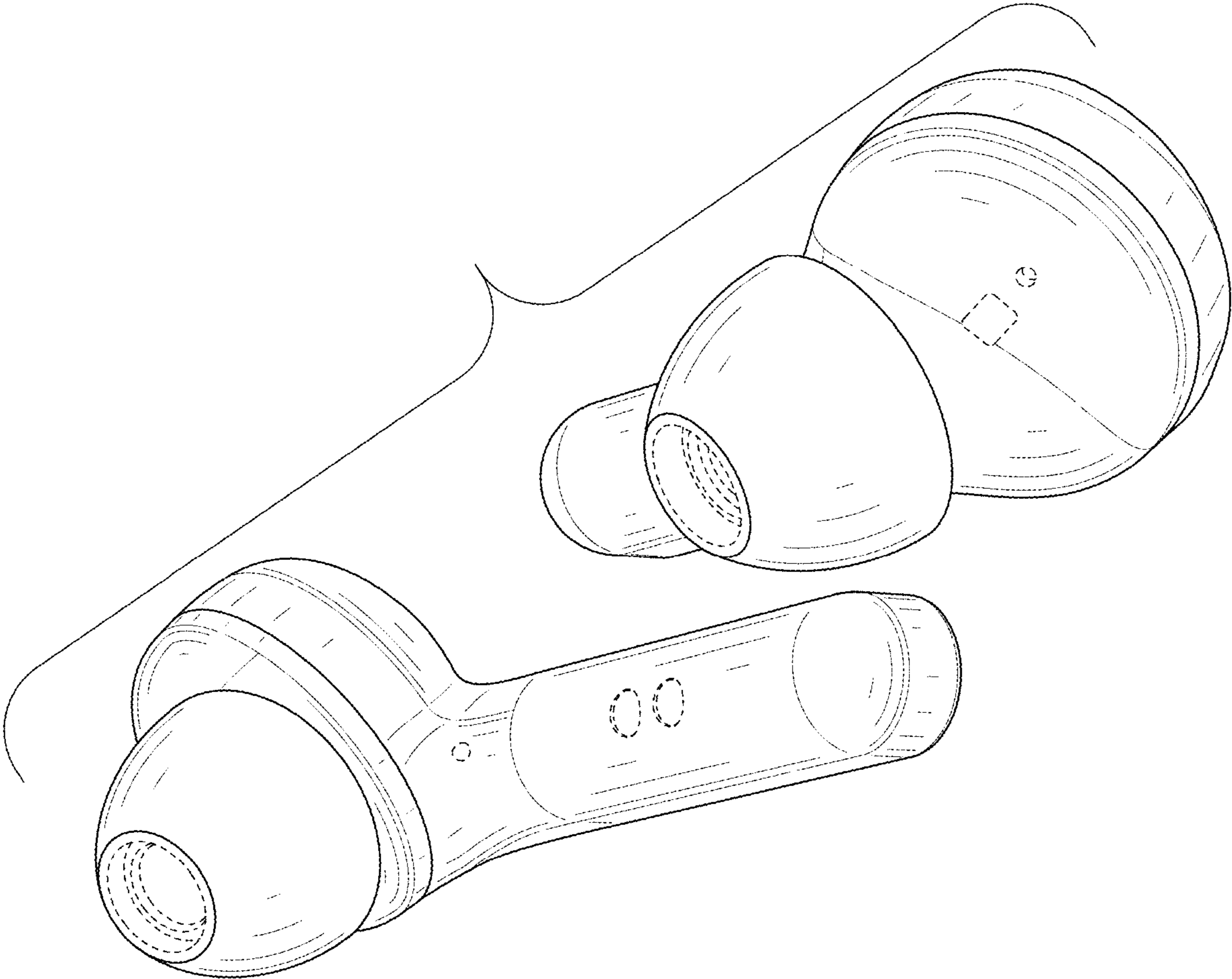


FIG. 1

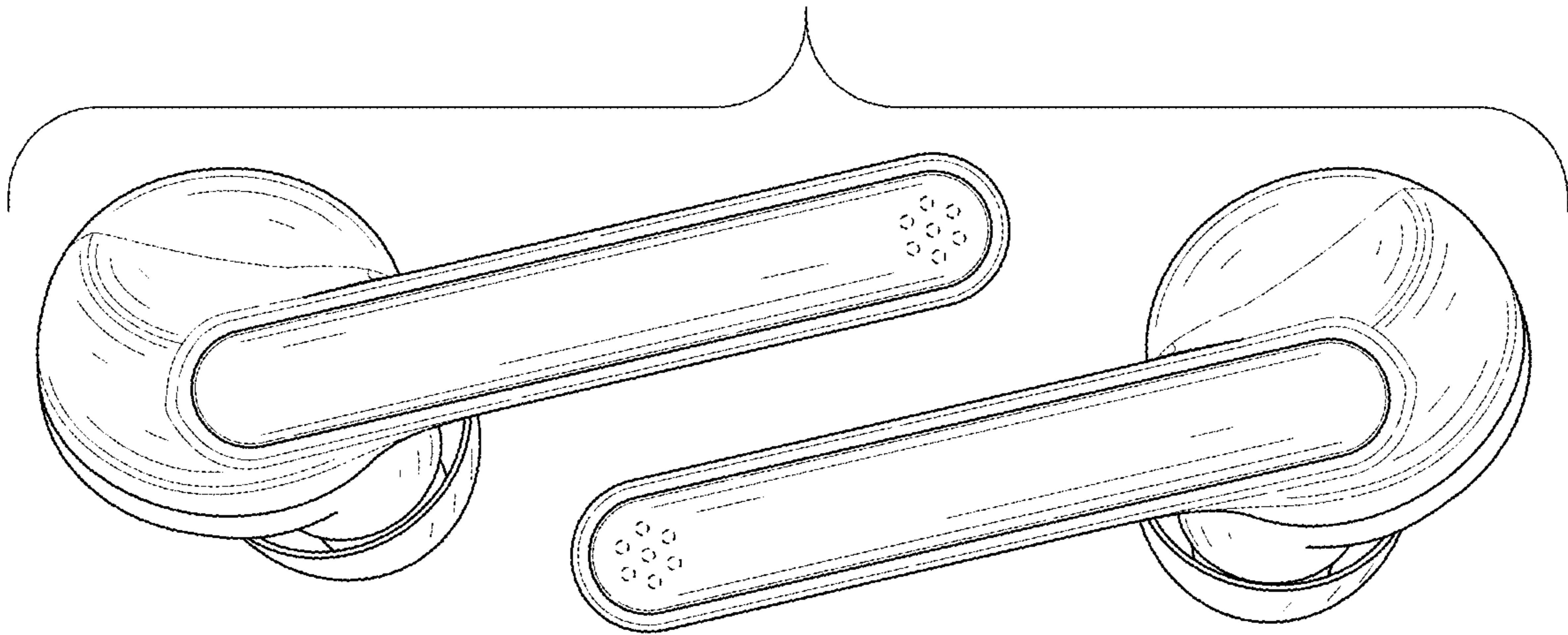


FIG. 2

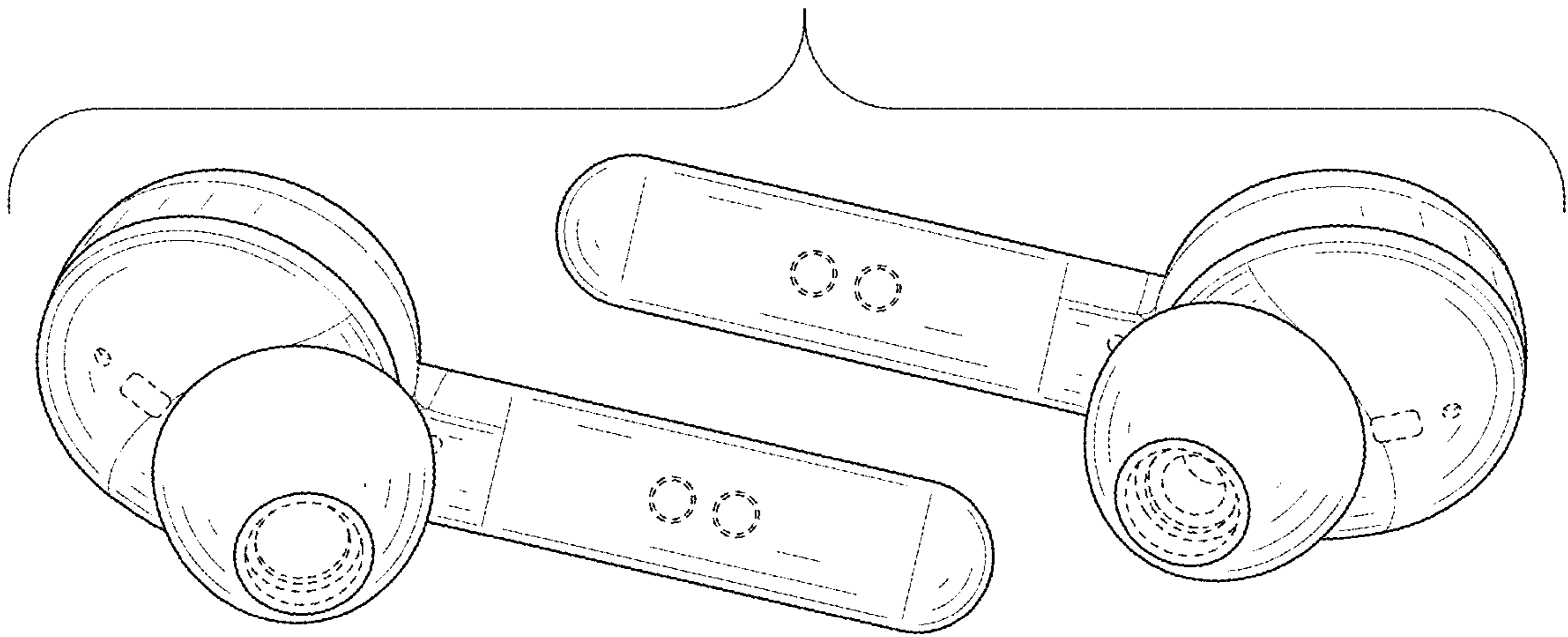


FIG. 3

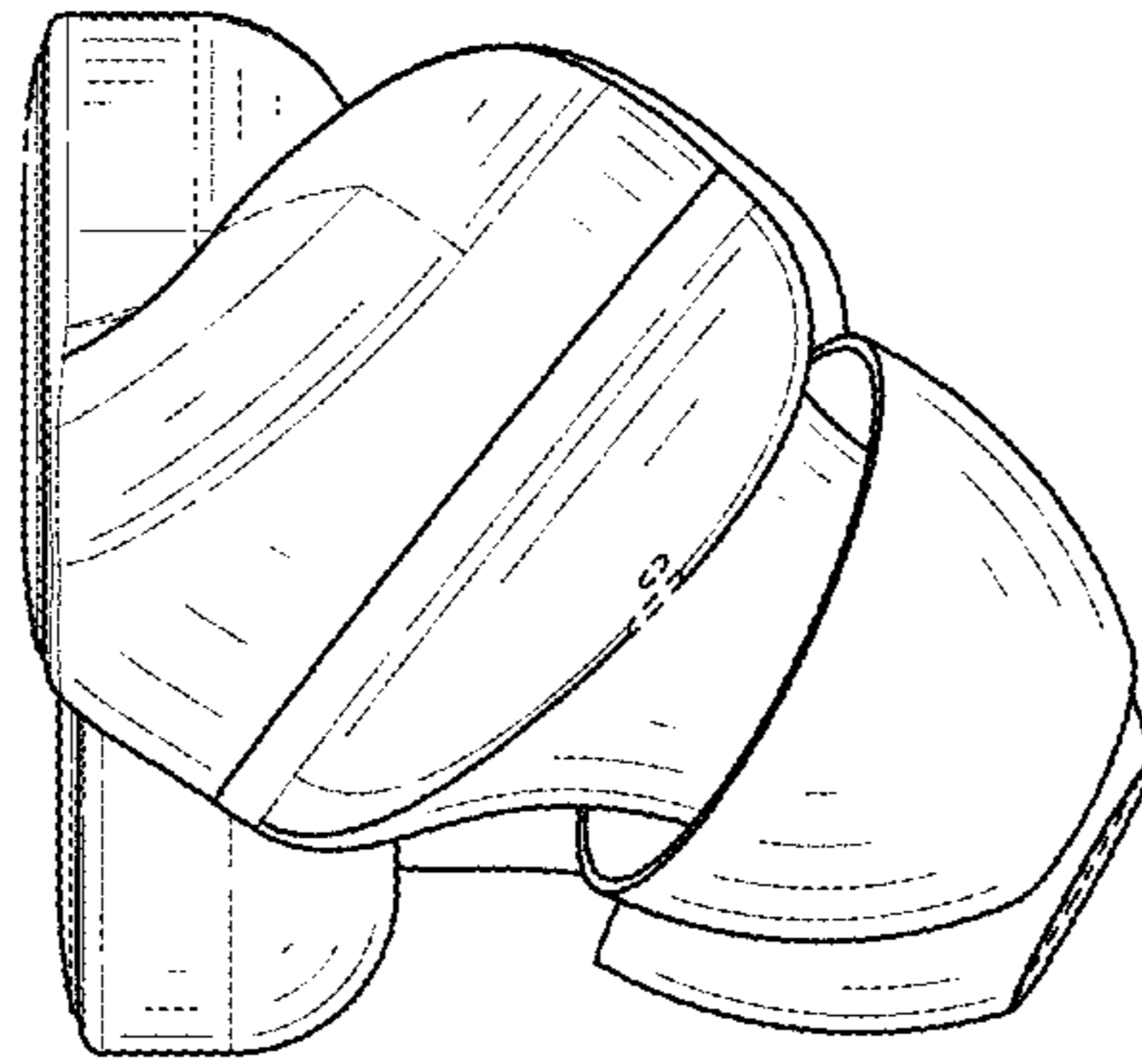


FIG. 4

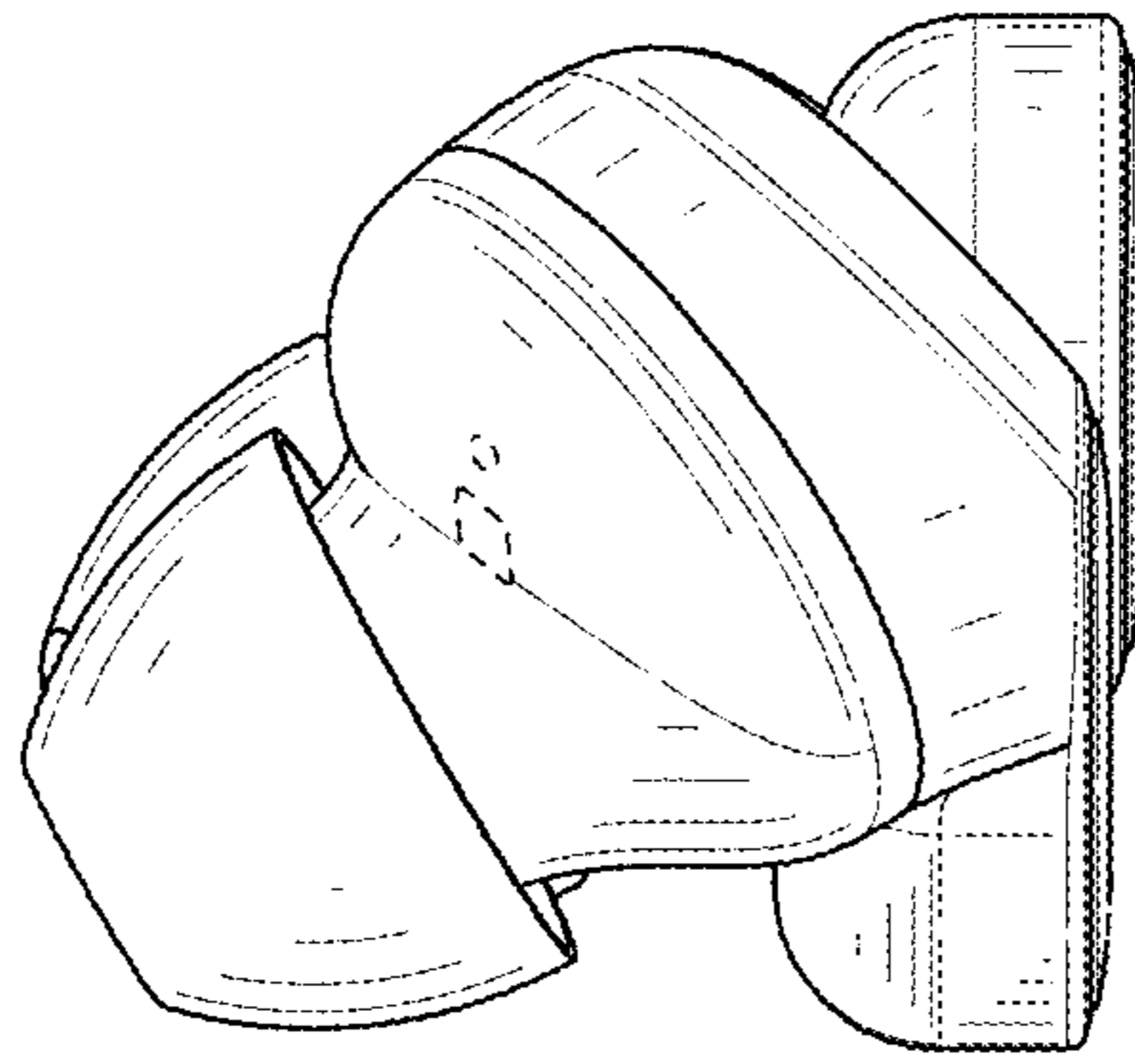


FIG. 5

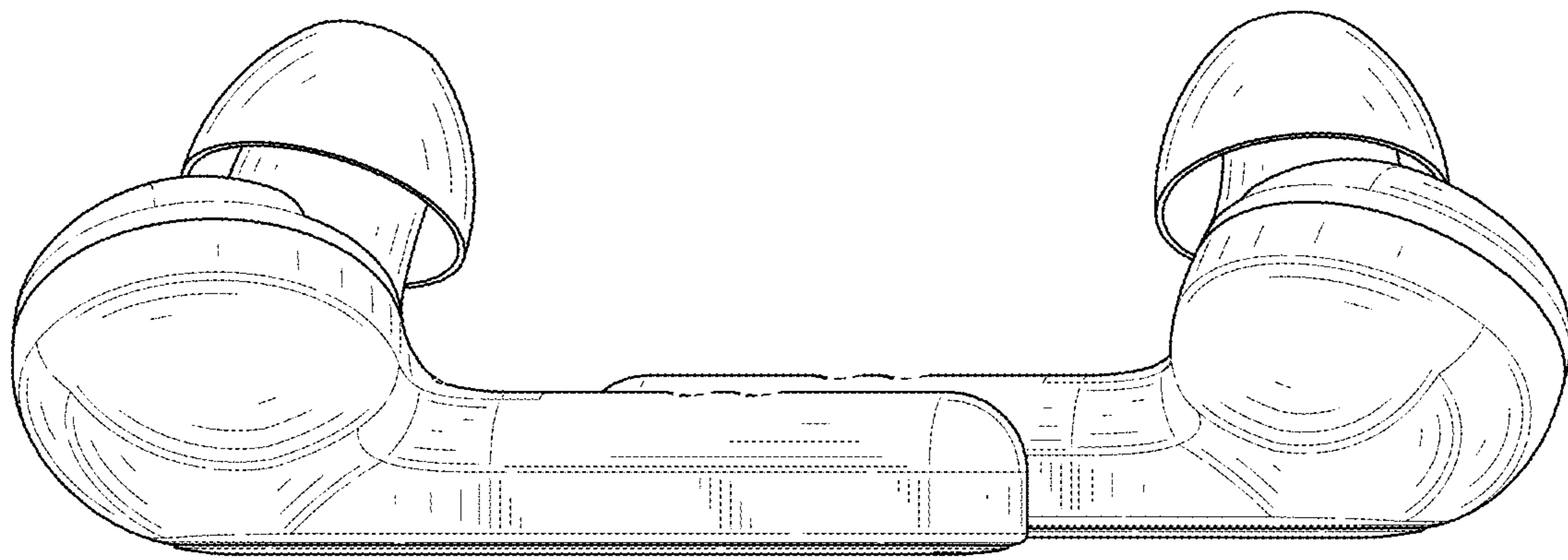


FIG. 6

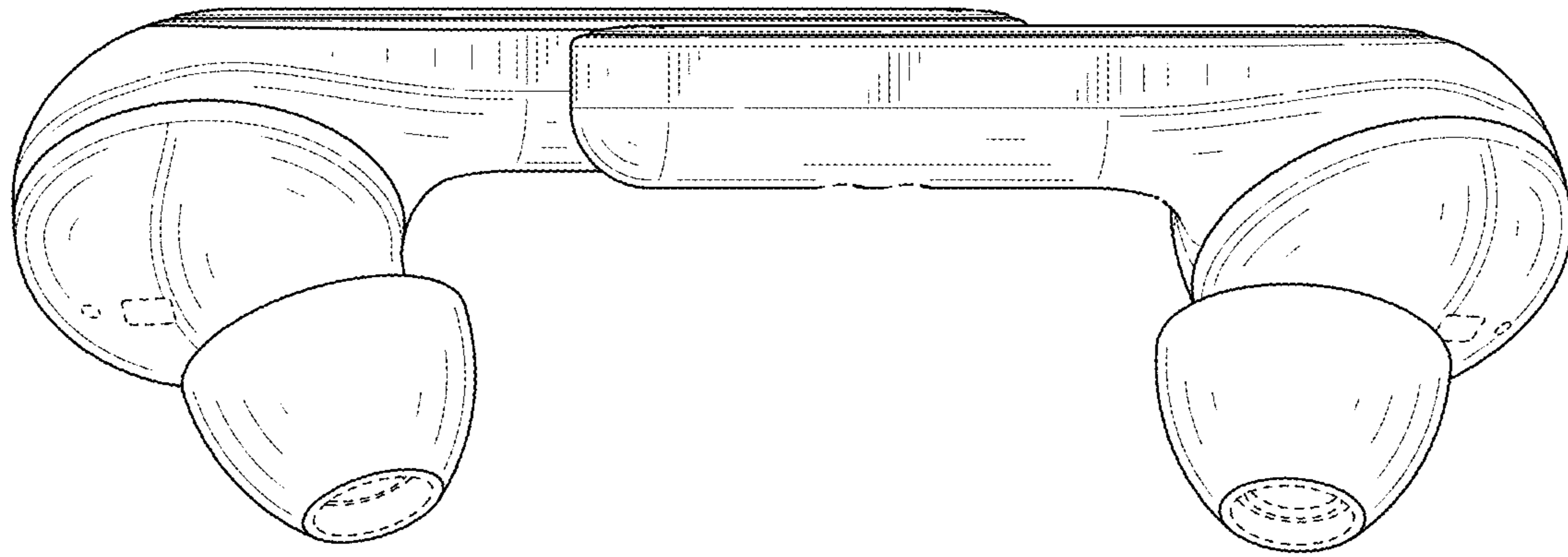


FIG. 7