



US00D953298S

(12) **United States Design Patent**
Zheng et al.

(10) **Patent No.: US D953,298 S**

(45) **Date of Patent: ** May 31, 2022**

(54) **REMOTE CONTROLLER**

(71) Applicant: **Shenzhen Skoe Technology Co., Ltd.**,
Shenzhen (CN)

(72) Inventors: **Caijian Zheng**, Shenzhen (CN);
Wenzhen Ouyang, Shenzhen (CN);
Xiyuan Lin, Shenzhen (CN)

(**) Term: **15 Years**

(21) Appl. No.: **29/744,199**

(22) Filed: **Jul. 28, 2020**

(51) **LOC (13) Cl. 14-03**

(52) **U.S. Cl.**
USPC **D14/218**

(58) **Field of Classification Search**
USPC D14/218; D13/168
CPC .. A47C 31/008; A61G 13/02; G07C 9/00944;
G08C 17/00; G08C 17/02; H04B 1/202;
H01H 9/02; H01H 9/0214; H01H 9/0235;
H01H 9/0242

See application file for complete search history.

(56) **References Cited**

U.S. PATENT DOCUMENTS

D379,816 S *	6/1997	Laituri	D14/218
D398,588 S *	9/1998	Pinardi	D10/104.1
D463,788 S *	10/2002	Smith	D14/218
D509,480 S *	9/2005	Li	D13/168
D512,027 S *	11/2005	Sarasjoki	D13/168
D527,712 S *	9/2006	Indio da Costa	D13/168
D557,347 S *	12/2007	Nishimoto	D14/496
D697,057 S *	1/2014	Kwon	D14/218
9,589,457 B1 *	3/2017	Wengreen	G08C 23/04
D828,337 S *	9/2018	Li	D14/218
D849,147 S *	5/2019	Strahle	D21/333
D851,632 S *	6/2019	Smith	D14/218

D929,964 S *	9/2021	Bhagavatula	D14/218
2014/0092011 A1 *	4/2014	De Foras	G06F 3/017 345/157
2016/0136313 A1 *	5/2016	Nguyen	A61L 2/24 315/76

(Continued)

FOREIGN PATENT DOCUMENTS

CN	304940064	* 12/2018
CN	305586768	* 2/2020

(Continued)

OTHER PUBLICATIONS

Suddenlink Universal Remote Control . . . , available at amazon.com, announced Year 2019 [online], [site visited Dec. 28, 2021], Internet URL: https://www.amazon.com/dp/B07VXRNYD1/ref=cm_sw_em_r_mt_dp_TCMQ62JGNBD4YBADMTSH (Year: 2019).*

(Continued)

Primary Examiner — Daniel J Domino
Assistant Examiner — Samina Vieth

(57) **CLAIM**

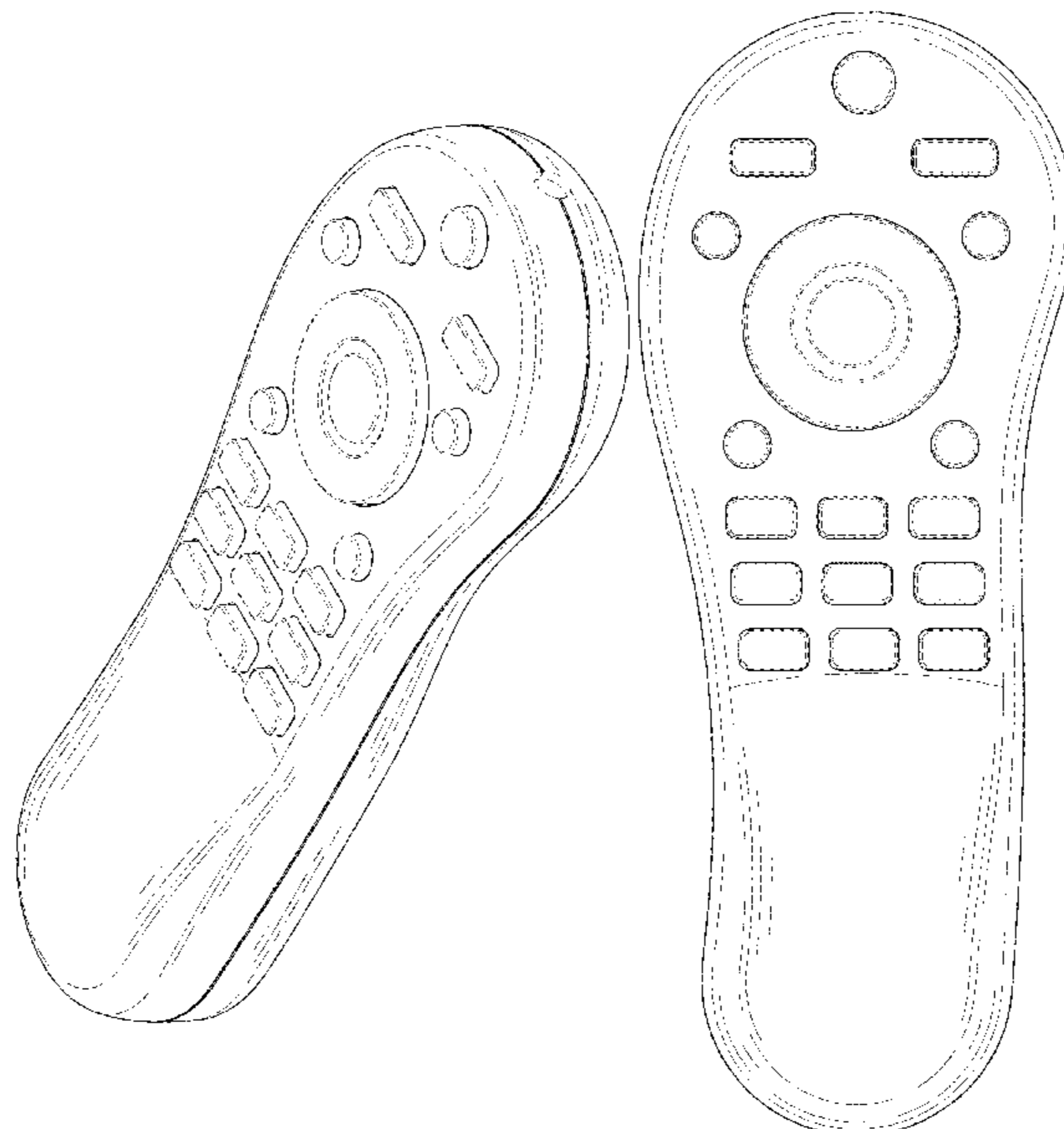
The ornamental design for a remote controller, as shown and described.

DESCRIPTION

FIG. 1 is a first perspective view of a remote controller showing our new design;
FIG. 2 is a second perspective view thereof;
FIG. 3 is a front view thereof;
FIG. 4 is a back view thereof;
FIG. 5 is a left side view thereof;
FIG. 6 is a right side view thereof;
FIG. 7 is a top view thereof; and,
FIG. 8 is a bottom view thereof.

The broken lines shown in the drawings depict portions of the remote controller in which the design is embodied that form no part of the claimed design.

1 Claim, 8 Drawing Sheets



(56)

References Cited

U.S. PATENT DOCUMENTS

2017/0030562 A1* 2/2017 Odom F21V 33/0052
2018/0350535 A1* 12/2018 Maier H01H 13/70

FOREIGN PATENT DOCUMENTS

CN 306746162 * 8/2021
CN 306964465 * 11/2021

OTHER PUBLICATIONS

Reversible Wall/Hand-Held Remote . . . , available at homedepot.com, oldest review date Nov. 28, 2018, [site visited Dec. 28, 2021], Internet URL: <https://www.homedepot.com/p/Monte-Carlo-Reversible-Wall-Hand-Held-Remote-Transmitter-Accessory-CT150/302348643#ratings-and-reviews> (Year: 2018).*

DIRECTV 4336303112 . . . , available at amazon.com, announced Year 2017 [online], [site visited Dec. 28, 2021], Internet URL: https://www.amazon.com/dp/B07889DGLD/ref=cm_sw_em_r_mt_dp_S3JSWY8Y13KB2BWSACDK (Year: 2019).*

TiVo VOX Remote . . . , available at amazon.com, announced Year 2017 [online], [site visited Dec. 28, 2021], Internet URL: <https://www.amazon.com/TiVo-VOX-Remote-BOLT/dp/B07634QZPL> (Year: 2017).*

* cited by examiner

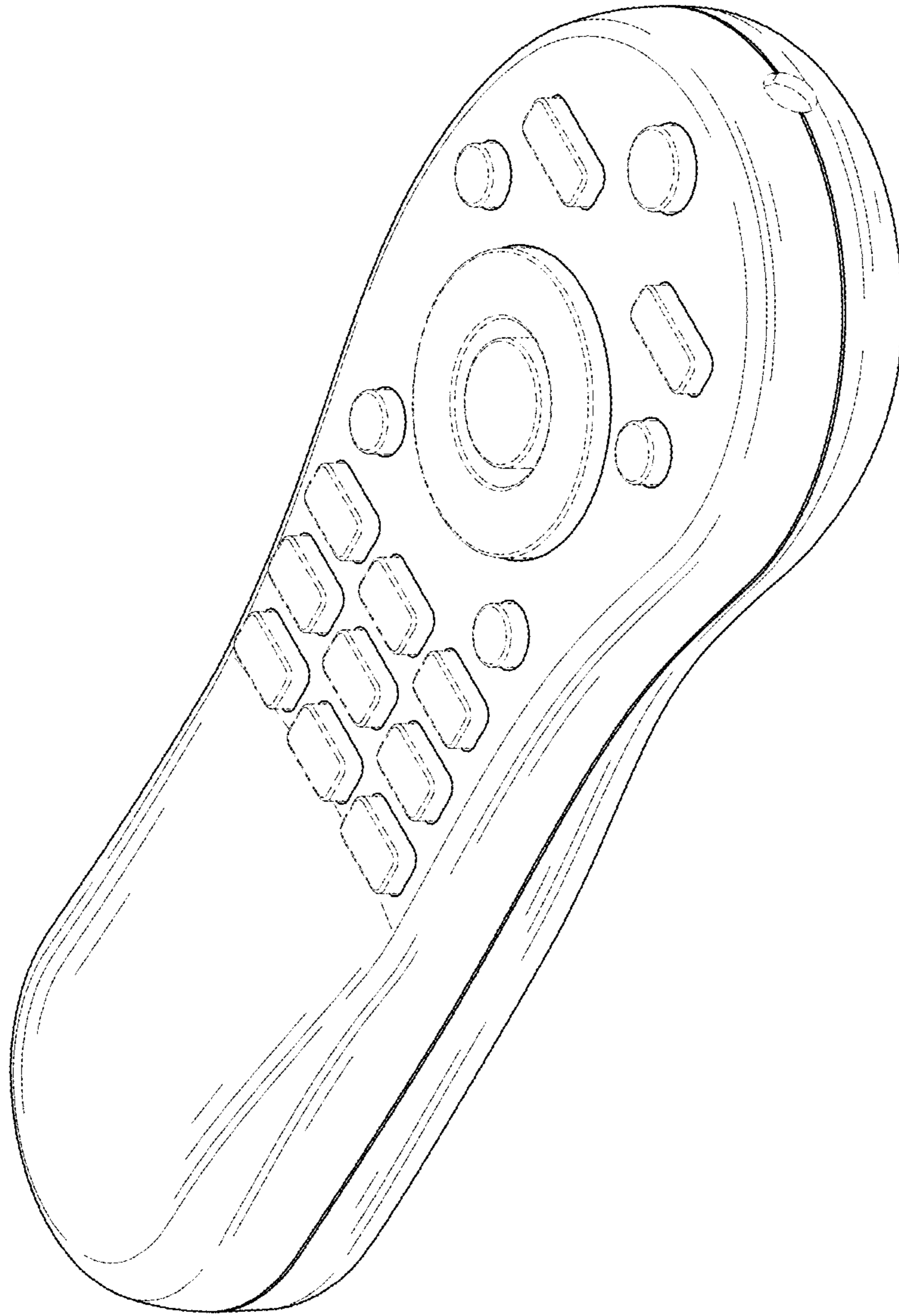


FIG. 1

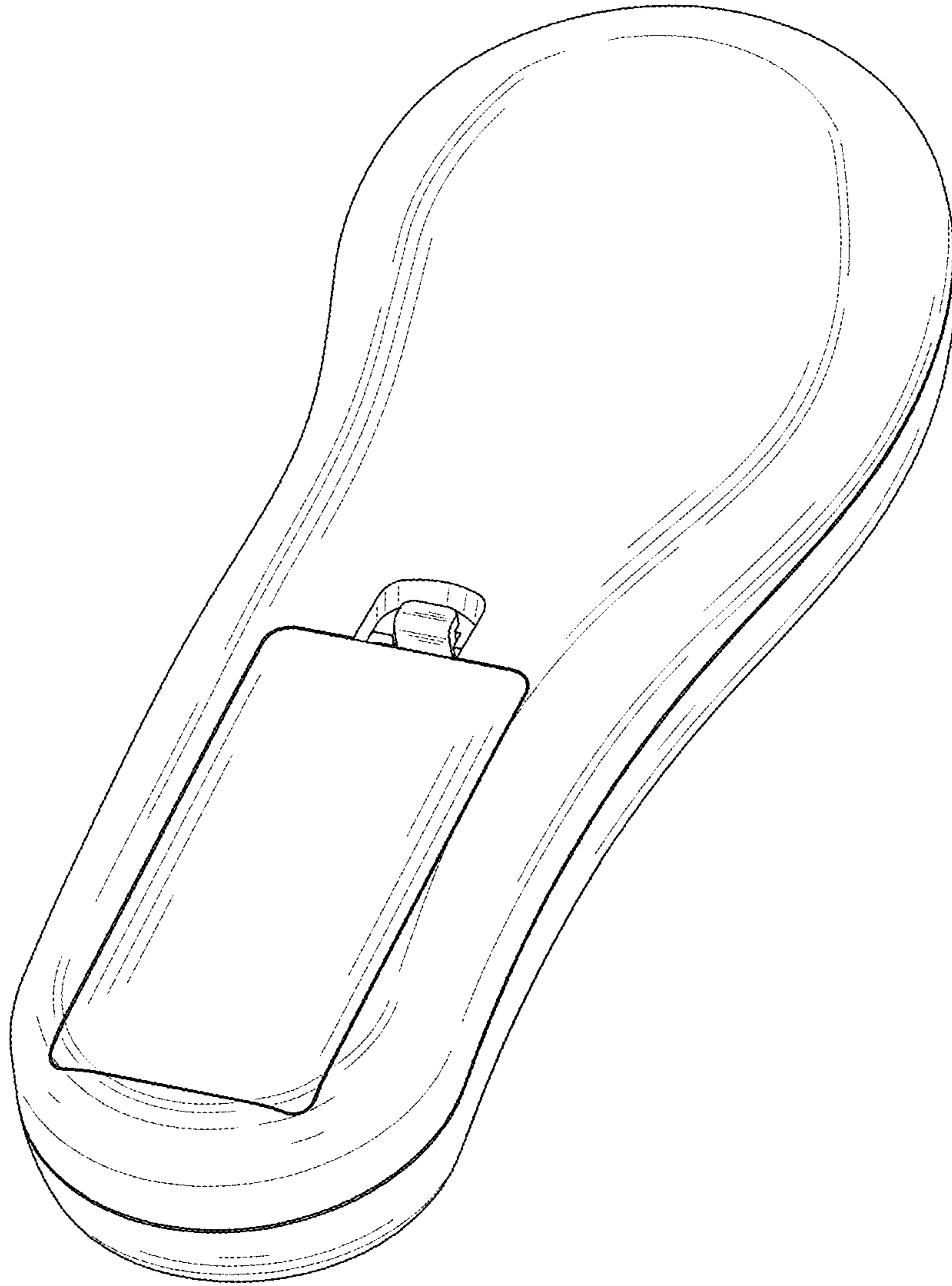


FIG. 2

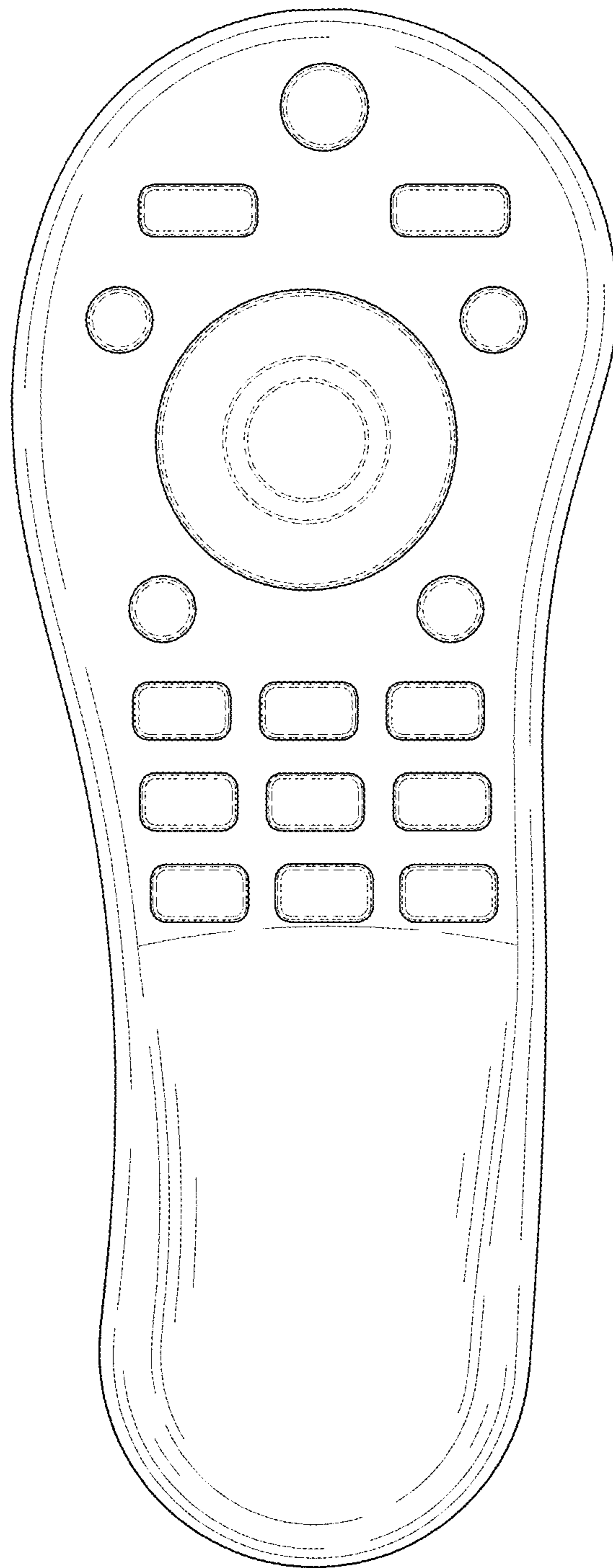


FIG. 3

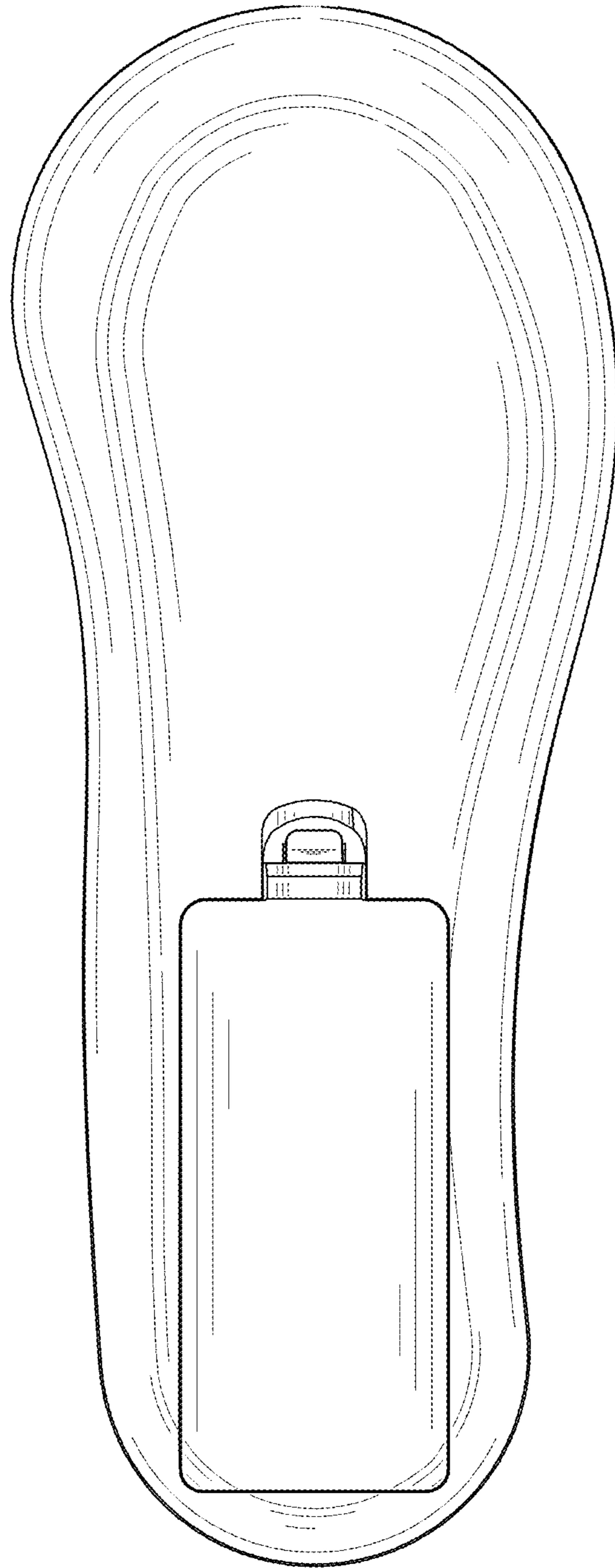


FIG. 4

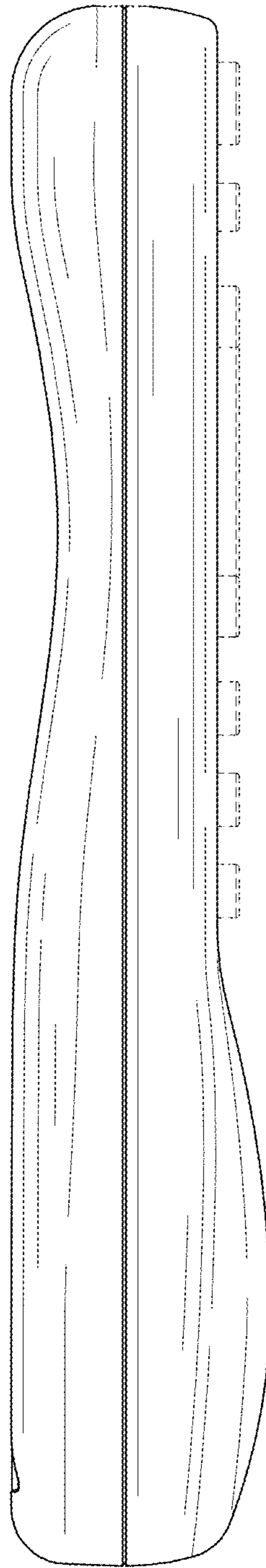


FIG. 5

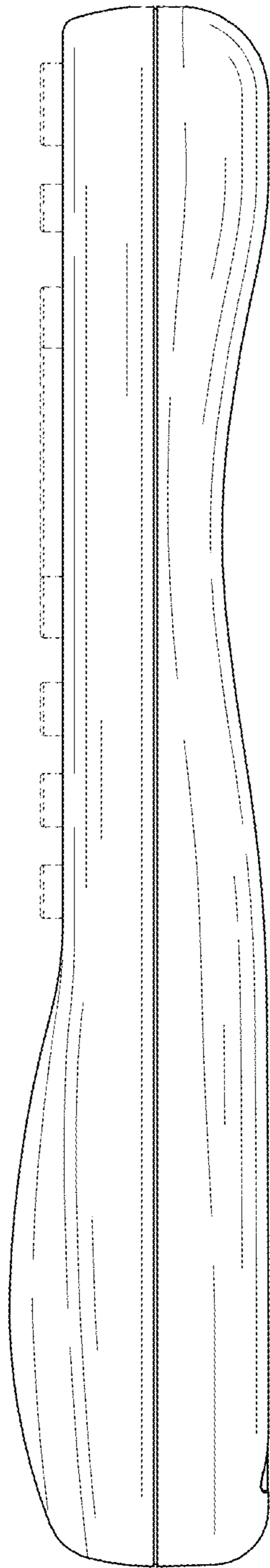


FIG. 6

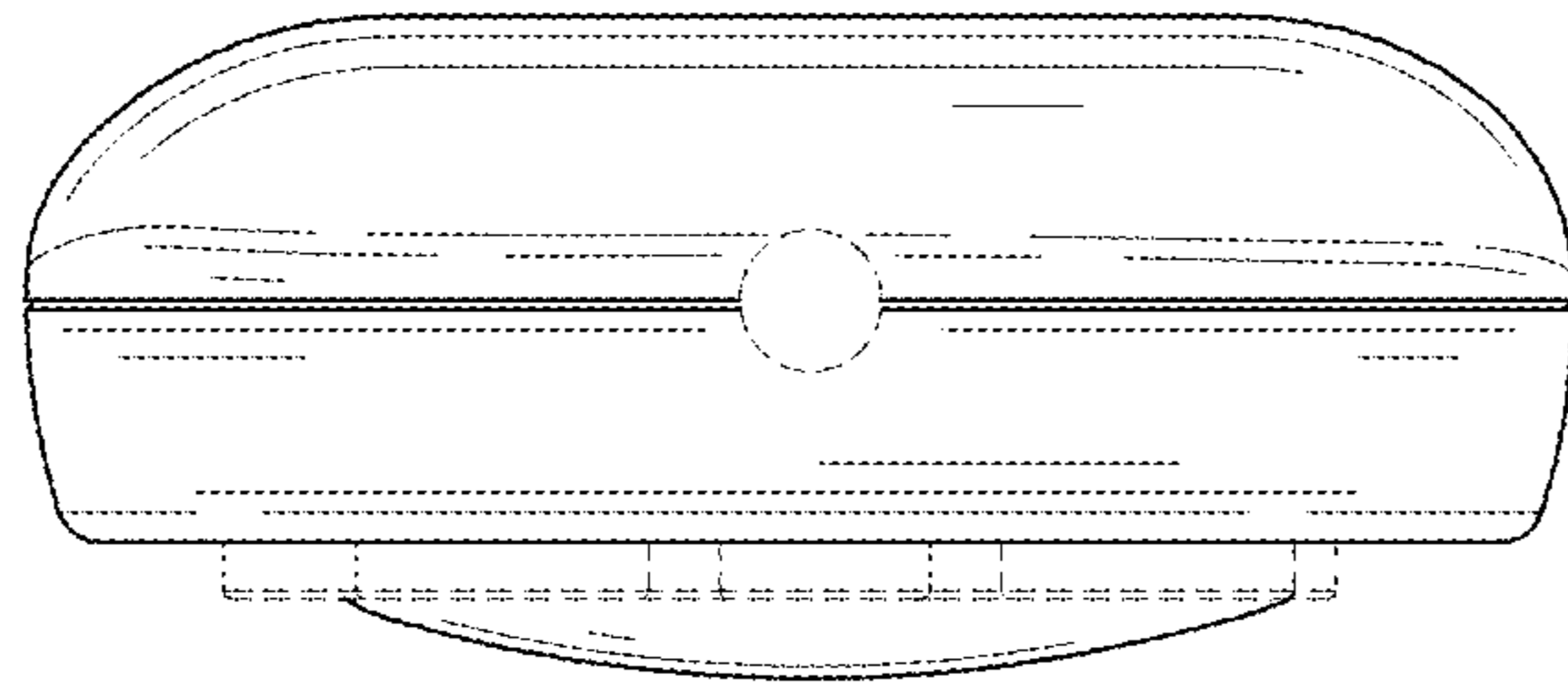


FIG. 7

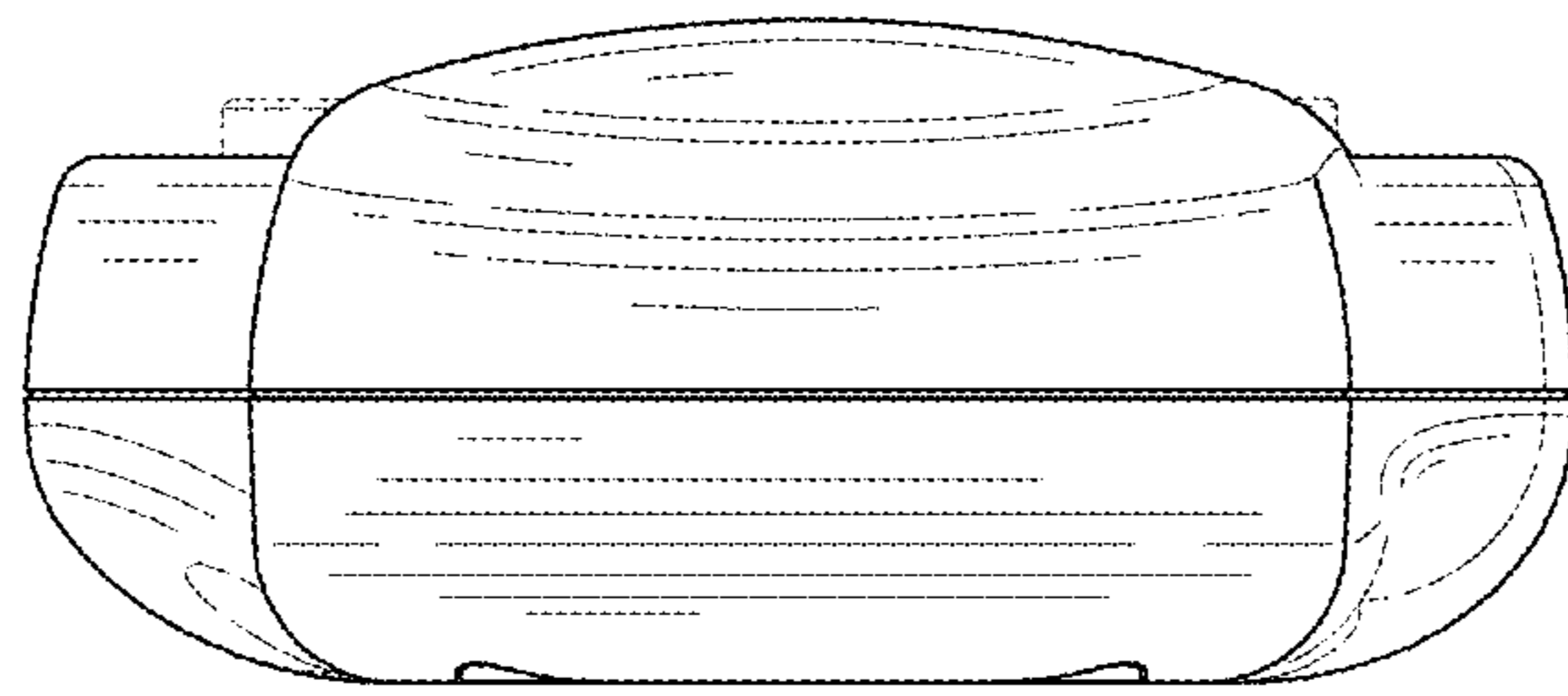


FIG. 8