



US00D953295S

(12) **United States Design Patent** (10) **Patent No.:** **US D953,295 S**
Dolezel et al. (45) **Date of Patent:** **** May 31, 2022**

(54) **SENSOR ENCLOSURE**

FOREIGN PATENT DOCUMENTS

(71) Applicant: **THE RAYMOND CORPORATION**,
Greene, NY (US)

CN 305858668 * 6/2020
EM 006929816-0001 * 1/2020

(Continued)

(72) Inventors: **Keith F. Dolezel**, Franklin, NY (US);
Gregory W. Smiley, Greene, NY (US)

OTHER PUBLICATIONS

(73) Assignee: **The Raymond Corporation**, Greene,
NY (US)

Magene Outdoor/Indoor Speed/Cadence . . . , available in Amazon.
com, customer review oldest Jan. 11, 2020 [online], [site visited
Dec. 27, 2021], Available from the internet URL: [https://www.
amazon.com/Magene-Cycling-Cadence-Buletooth-Wireless/dp/
B08252X8VS/ref=cm_cr_ar_p_d_product_top?ie=UTF8](https://www.amazon.com/Magene-Cycling-Cadence-Buletooth-Wireless/dp/B08252X8VS/ref=cm_cr_ar_p_d_product_top?ie=UTF8) (Year: 2020).*

(**) Term: **15 Years**

(21) Appl. No.: **29/685,636**

Primary Examiner — Daniel J Domino

Assistant Examiner — Samina Vieth

(22) Filed: **Mar. 29, 2019**

(74) *Attorney, Agent, or Firm* — Quarles & Brady LLP

(51) **LOC (13) Cl.** **14-03**

(57) **CLAIM**

(52) **U.S. Cl.**

The ornamental design for a sensor enclosure, as shown and
described.

USPC **D14/217**

(58) **Field of Classification Search**

DESCRIPTION

USPC D14/241, 217, 223, 206, 155, 159, 218;
D10/281, 53, 56, 96

CPC H01H 9/0242; H01H 9/025
See application file for complete search history.

FIG. 1 is an isometric view of a front, bottom, and left side
of an ornamental design for a sensor enclosure;

FIG. 2 is a front elevational view of the sensor enclosure of
FIG. 1;

FIG. 3 is a rear elevational view of the sensor enclosure of
FIG. 1;

(56) **References Cited**

U.S. PATENT DOCUMENTS

D309,584 S * 7/1990 Krishnamurthy D10/81
D451,496 S * 12/2001 Leon D14/191
D460,450 S * 7/2002 Goto D14/356
D506,859 S * 6/2005 Ryan D34/35
D676,599 S * 2/2013 Davidson D26/139
D741,737 S * 10/2015 Feng D10/96
D778,265 S * 2/2017 Parfitt D14/218
D804,452 S * 12/2017 Parfitt D14/218
D819,472 S * 6/2018 Lanham D10/96
D872,603 S * 1/2020 Fushida D10/81
D886,445 S * 6/2020 Hyun D3/201
D909,894 S * 2/2021 Jastrzebski D10/56
D926,164 S * 7/2021 Petros D14/230

FIG. 4 is a right side elevational view of the sensor enclosure
of FIG. 1;

FIG. 5 is a left side elevational view of the sensor enclosure
of FIG. 1;

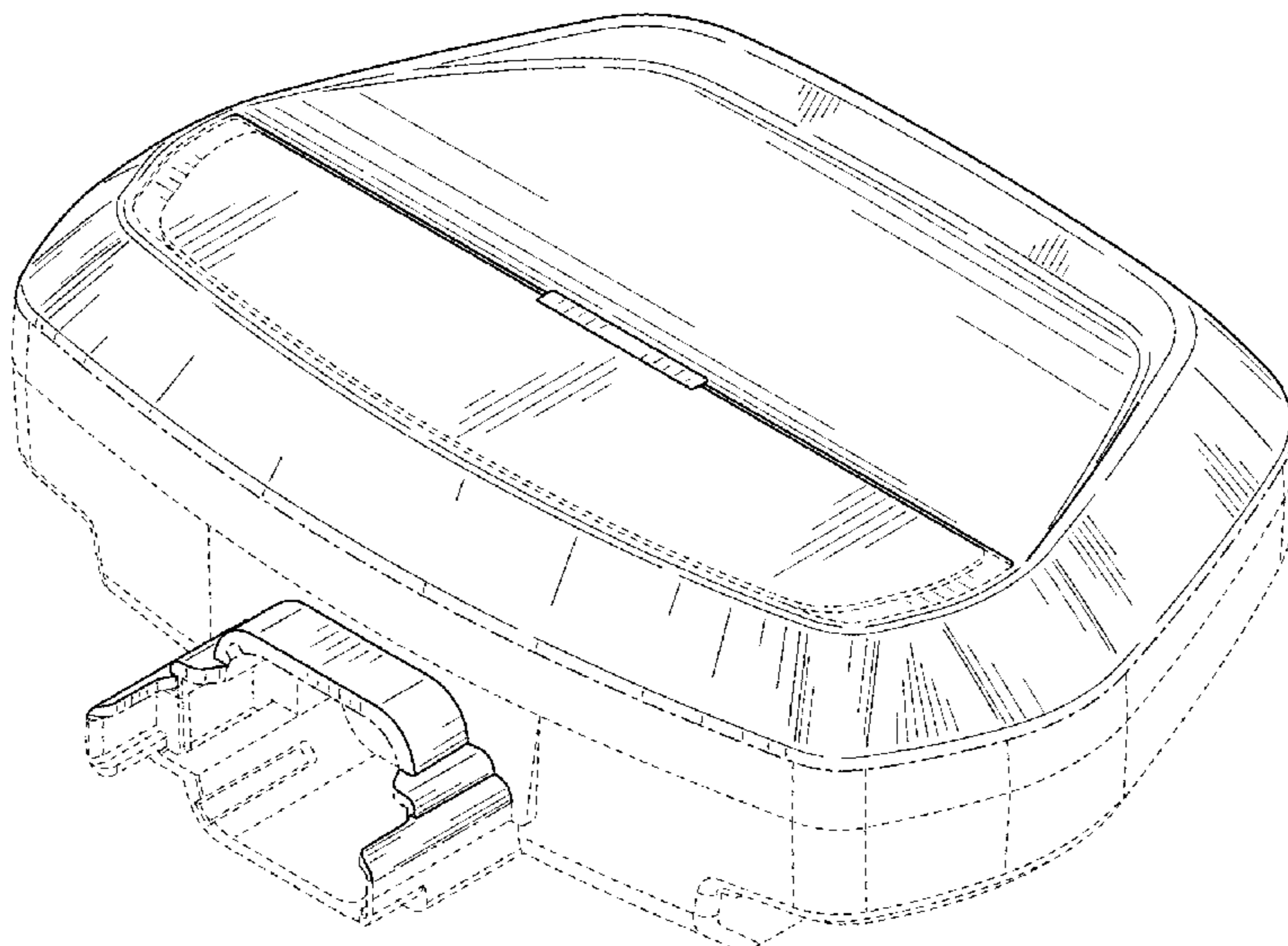
FIG. 6 is a top plan view of the sensor enclosure of FIG. 1;
and,

FIG. 7 is a bottom plan view of the sensor enclosure of FIG.
1.

The dash-dash-dash lines are included for the purpose of
illustrating portions that form no part of the claimed design.
The dash-dot-dash lines showing boundary lines form no
part of the claimed design.

(Continued)

1 Claim, 5 Drawing Sheets



(56)

References Cited

U.S. PATENT DOCUMENTS

D935,180 S * 11/2021 Zhang D3/300
2014/0183017 A1* 7/2014 Warner H01H 9/0066
200/5 A
2015/0001846 A1* 1/2015 Griffin F16L 23/0286
285/368

FOREIGN PATENT DOCUMENTS

EM 008160709-0003 * 11/2020
GB 9008160709-0001 * 9/2020

* cited by examiner

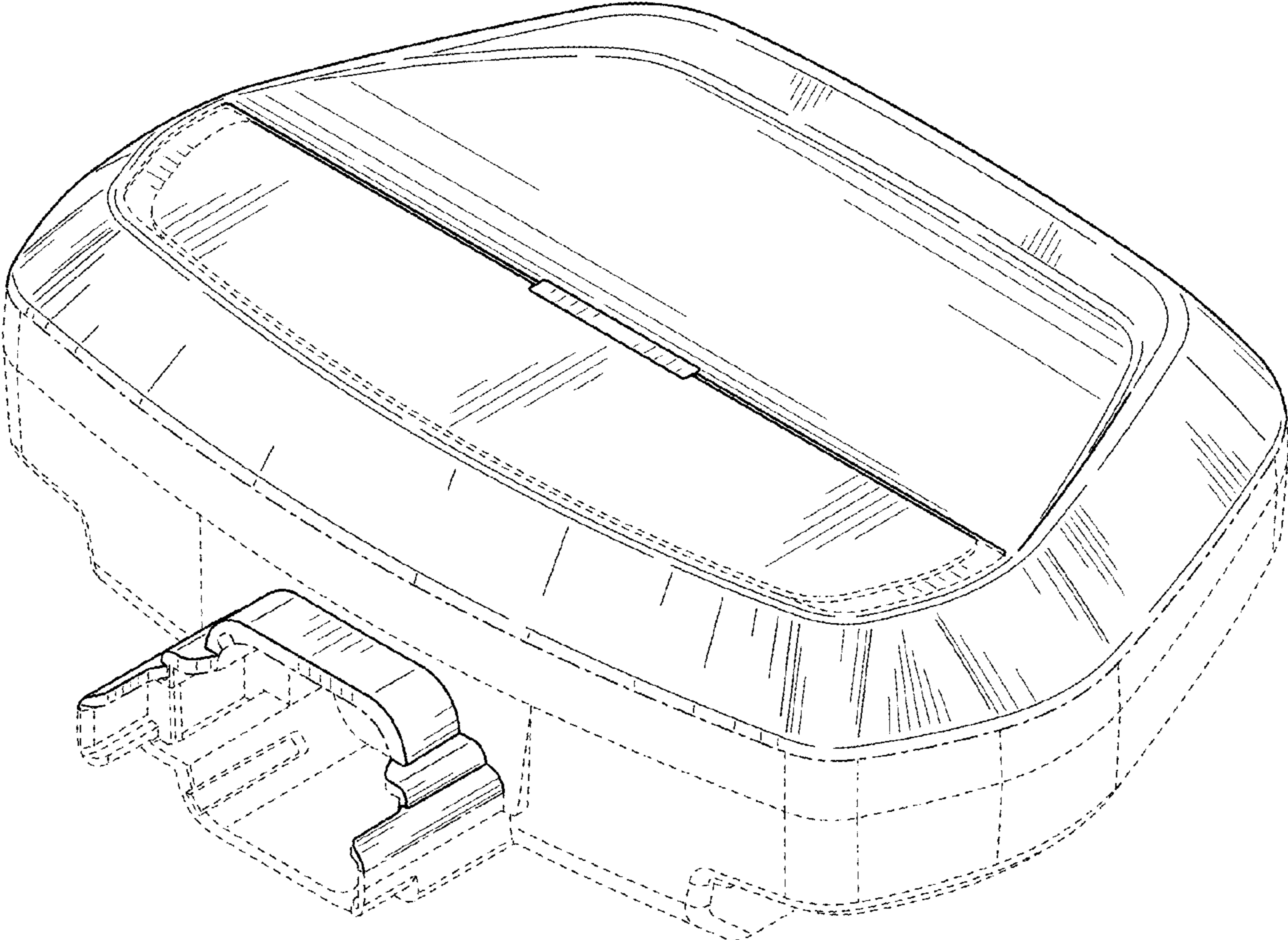


FIG. 1

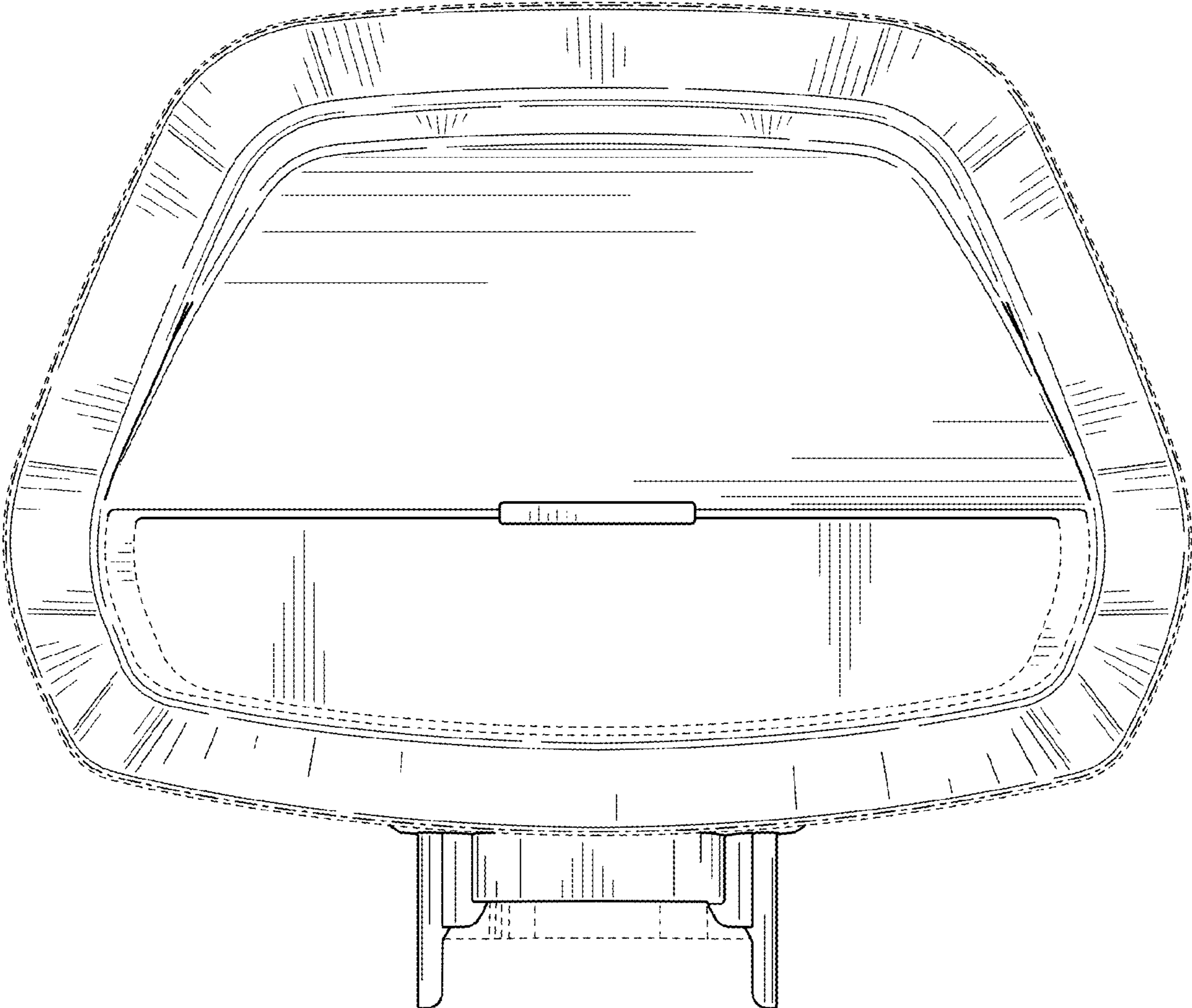


FIG. 2

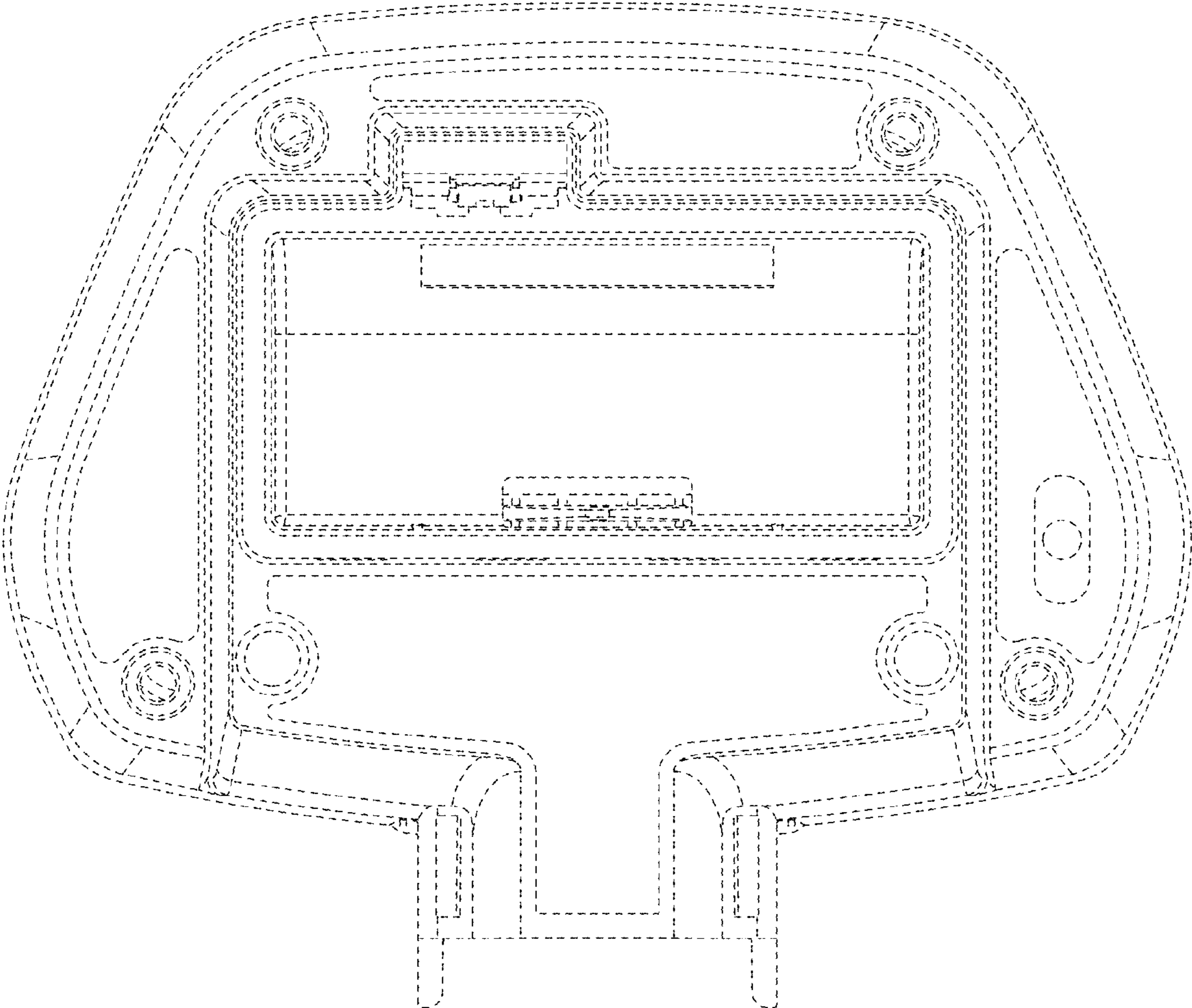


FIG. 3

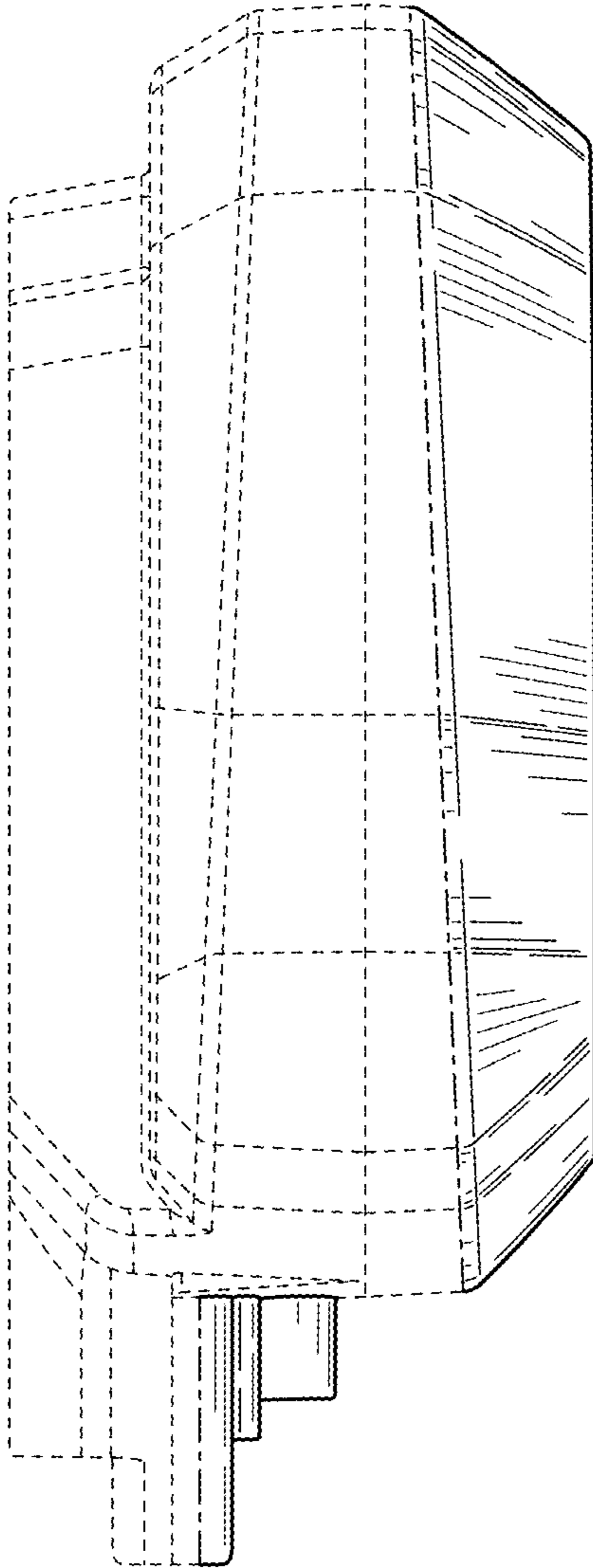


FIG. 4

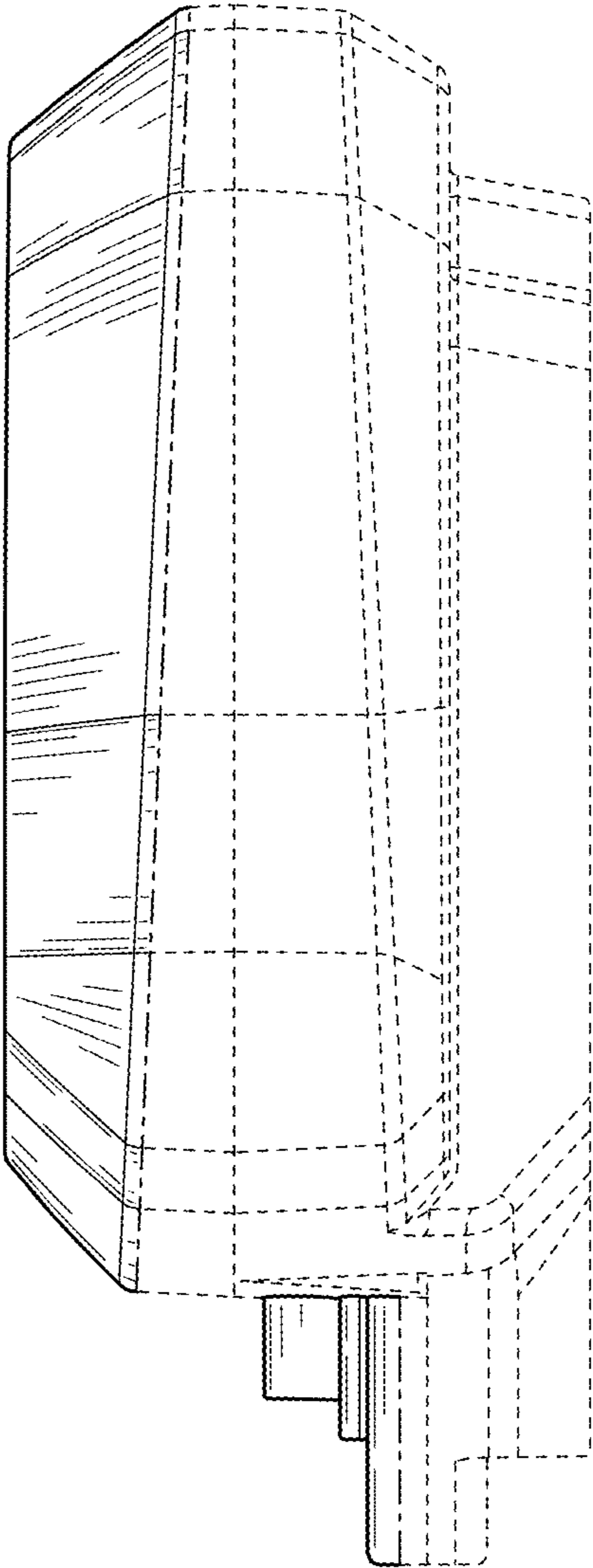


FIG. 5

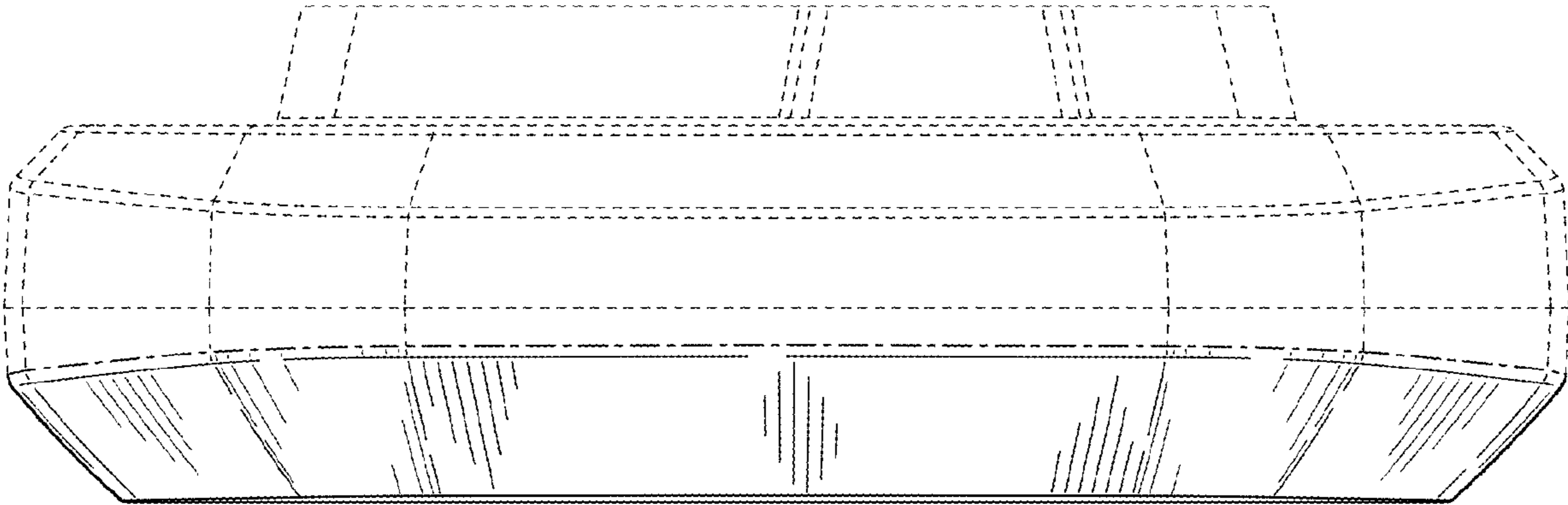


FIG. 6

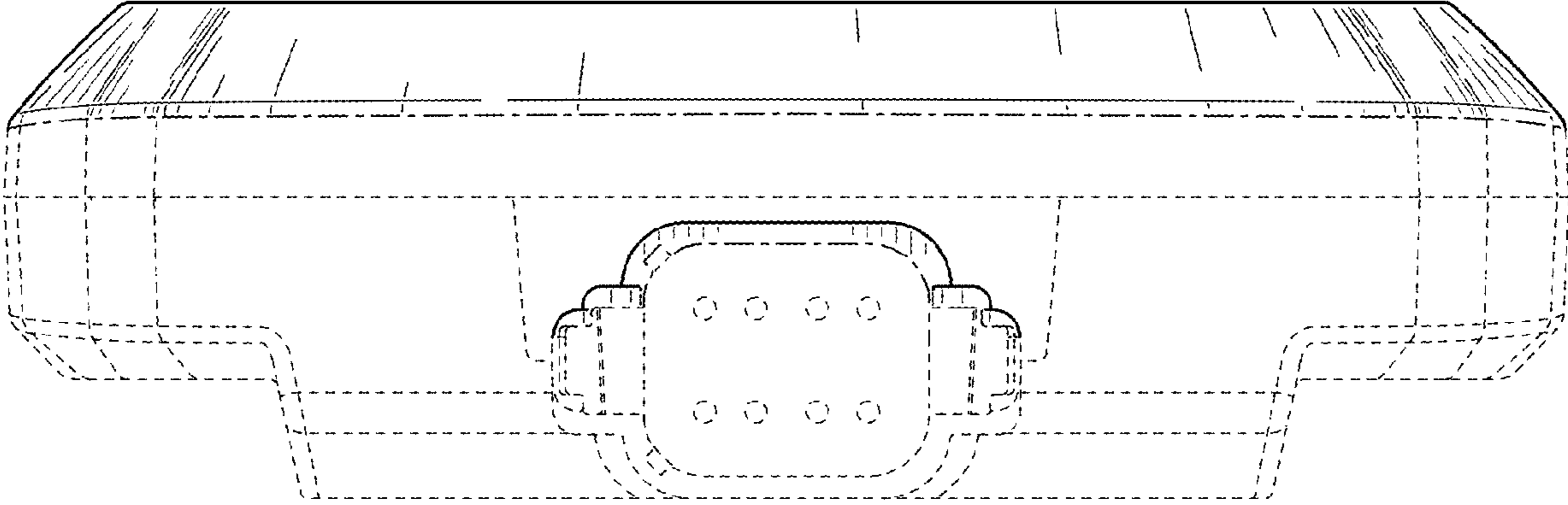


FIG. 7