



US00D953294S

(12) **United States Design Patent**  
**Susterman**

(10) **Patent No.:** **US D953,294 S**  
(45) **Date of Patent:** **\*\* May 31, 2022**

- (54) **VEHICLE SPEAKER ENCLOSURE**
- (71) Applicant: **Spirit, LLC**, Miami Gardens, FL (US)
- (72) Inventor: **Alberto Susterman**, Miami Gardens, FL (US)
- (73) Assignee: **Spirit LLC**, Miami Gardens, FL (US)
- (\*\*) Term: **15 Years**
- (21) Appl. No.: **29/722,276**
- (22) Filed: **Jan. 28, 2020**
- (51) **LOC (13) Cl.** ..... **14-01**
- (52) **U.S. Cl.**  
USPC ..... **D14/216**; D14/204
- (58) **Field of Classification Search**  
USPC ..... D14/204, 170-172, 188, 496, 219, 224,  
D14/194-196, 207-217, 221-222;  
D12/195, 190, 192, 196  
CPC ..... H04R 1/02; H04R 1/023; H04R 1/021;  
H04R 1/026; H04R 1/028; H04R 1/403;  
H04R 1/2803; H04R 1/025; H04R 1/323;  
H04R 1/2834; H04R 5/02; H04R 9/06;  
H04R 2201/021; H04R 2400/00; H04R  
2400/11; H04R 2499/11; B60R 11/0217;  
G06F 1/1688; H04S 3/00; H04S 7/30;  
G10K 9/22  
See application file for complete search history.

- 4,917,212 A \* 4/1990 Iwaya ..... B60R 11/0217  
181/141
- 5,979,590 A \* 11/1999 Telmos ..... H04R 1/025  
181/141
- 6,226,927 B1 \* 5/2001 Bertolini ..... B60R 11/0217  
181/150
- D448,334 S \* 9/2001 Williams ..... D12/195
- D469,421 S \* 1/2003 Stickle ..... D14/204
- 6,614,913 B1 \* 9/2003 Allen ..... H04R 1/025  
181/150
- D563,390 S \* 3/2008 Vafiadis ..... D14/188
- D699,221 S \* 2/2014 Miyawaki ..... D14/216
- D763,824 S \* 8/2016 Kaplan ..... D14/215
- D808,925 S \* 1/2018 Kaplan ..... D14/215
- D900,787 S \* 11/2020 Molina ..... D14/215

\* cited by examiner

*Primary Examiner* — Ramzi Almatrahi  
(74) *Attorney, Agent, or Firm* — Bay State IP, LLC

(57) **CLAIM**

The ornamental design for a vehicle speaker enclosure, as shown and described.

**DESCRIPTION**

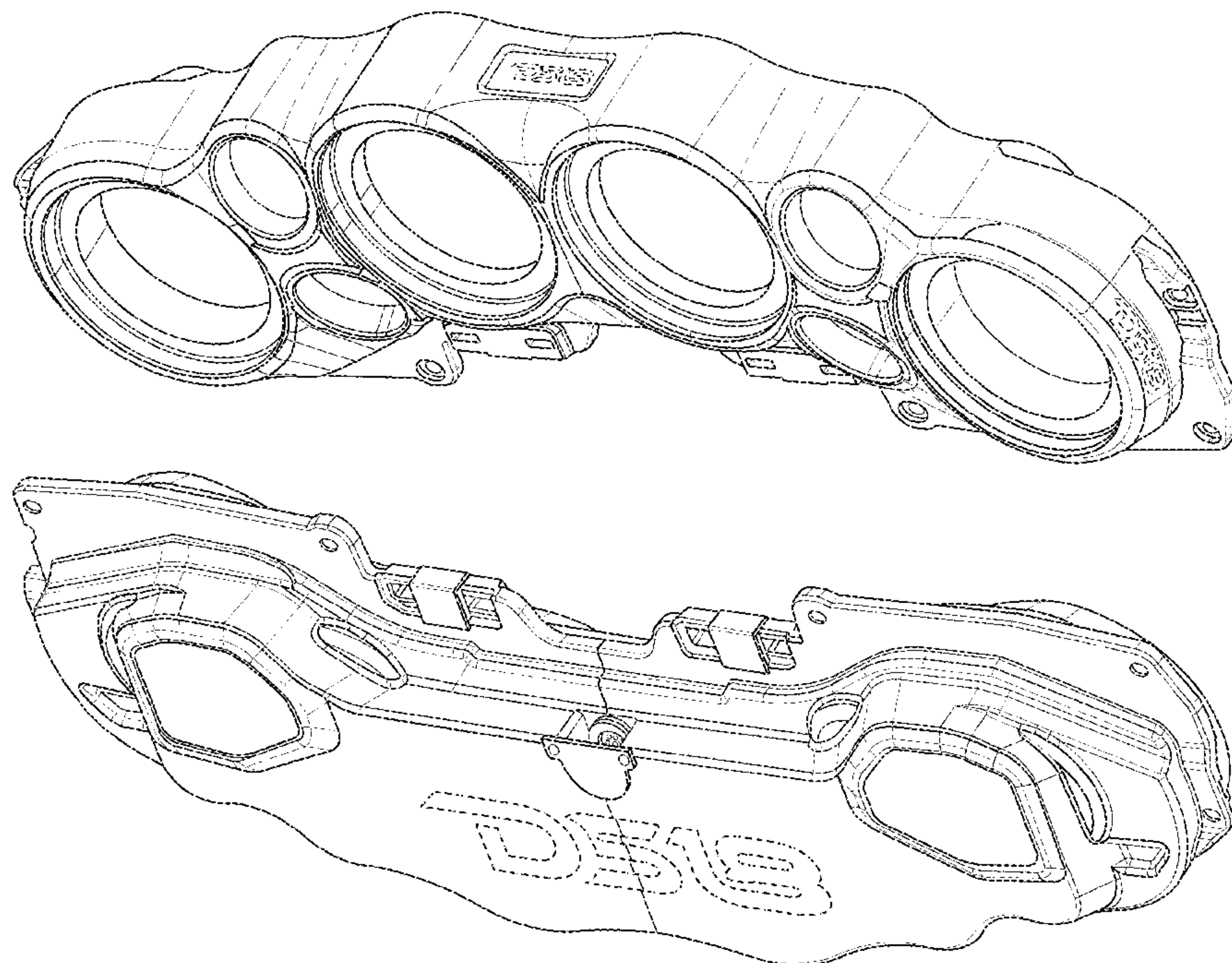
FIG. 1 is a top view of a vehicle speaker enclosure showing my new design;  
FIG. 2 is a front view thereof;  
FIG. 3 is a bottom view thereof;  
FIG. 4 is a left side view thereof;  
FIG. 5 is a right side view thereof;  
FIG. 6 is a bottom perspective view thereof; and,  
FIG. 7 is a top perspective view thereof.  
The broken lines depict portions of the vehicle speaker enclosure that form no part of the claimed design.

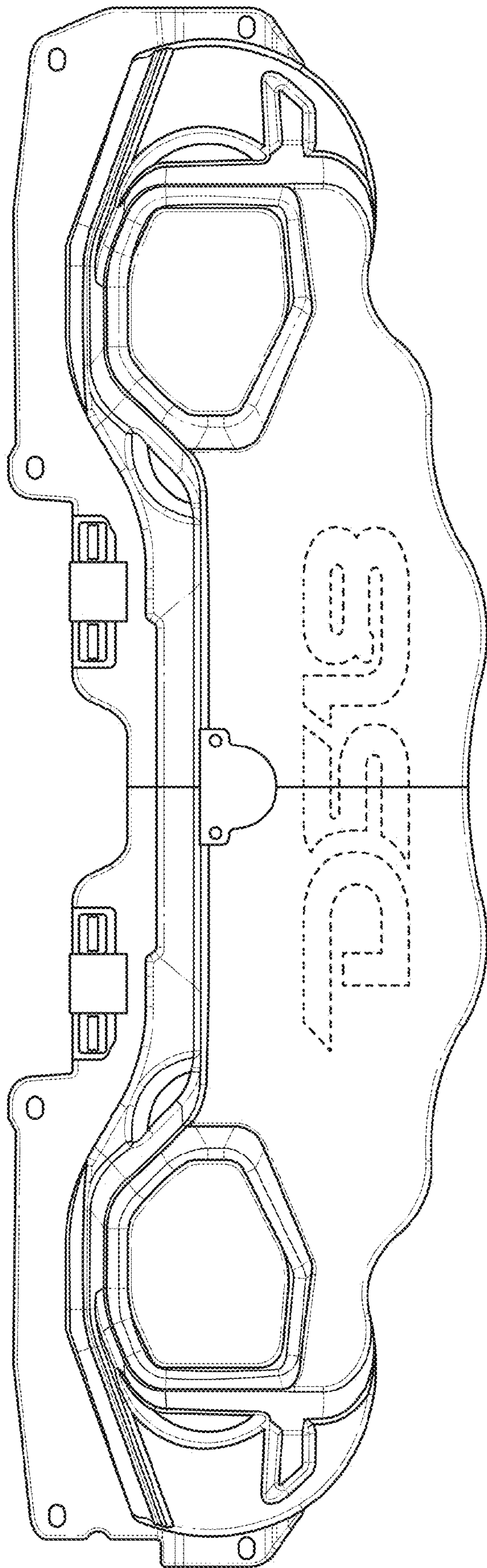
**1 Claim, 7 Drawing Sheets**

(56) **References Cited**

U.S. PATENT DOCUMENTS

- 4,597,470 A \* 7/1986 Takagi ..... B60R 11/0217  
181/141
- 4,905,860 A \* 3/1990 Kurihara ..... B60R 11/0217  
220/675





*Fig. 1*

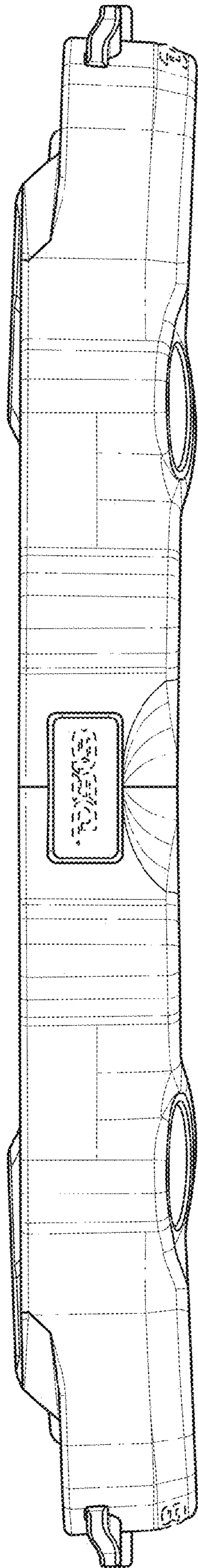


Fig. 2



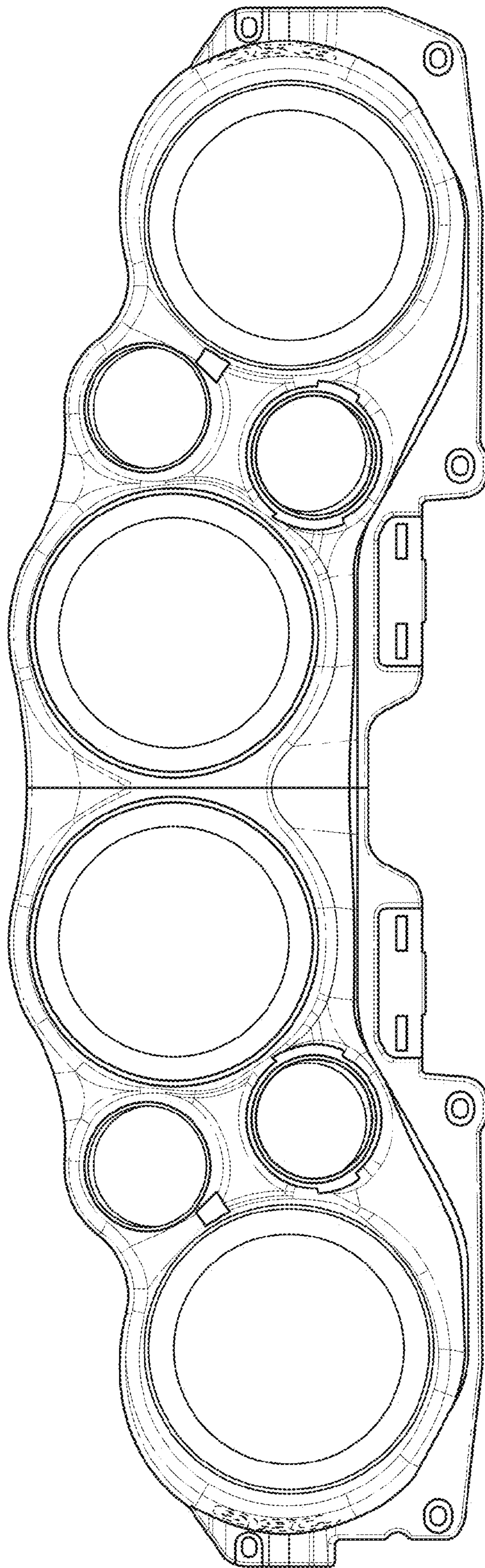


Fig. 3

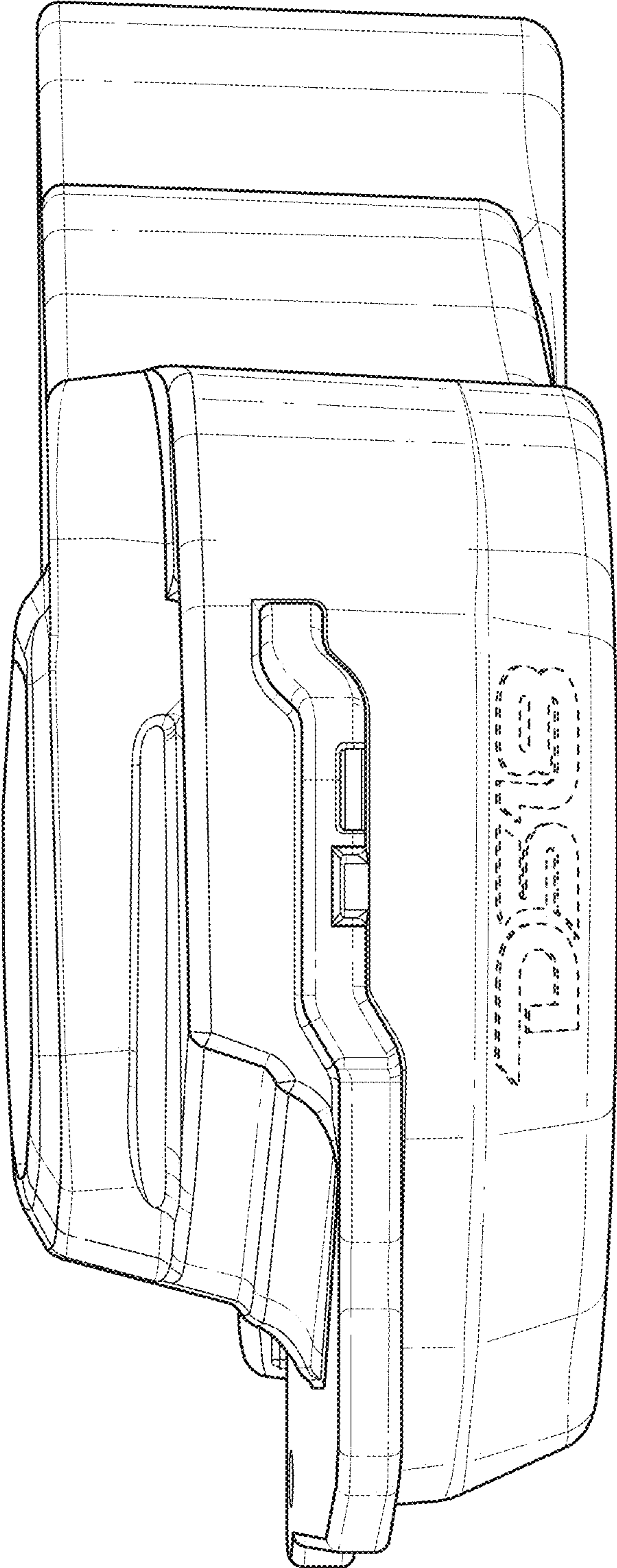


Fig. 4

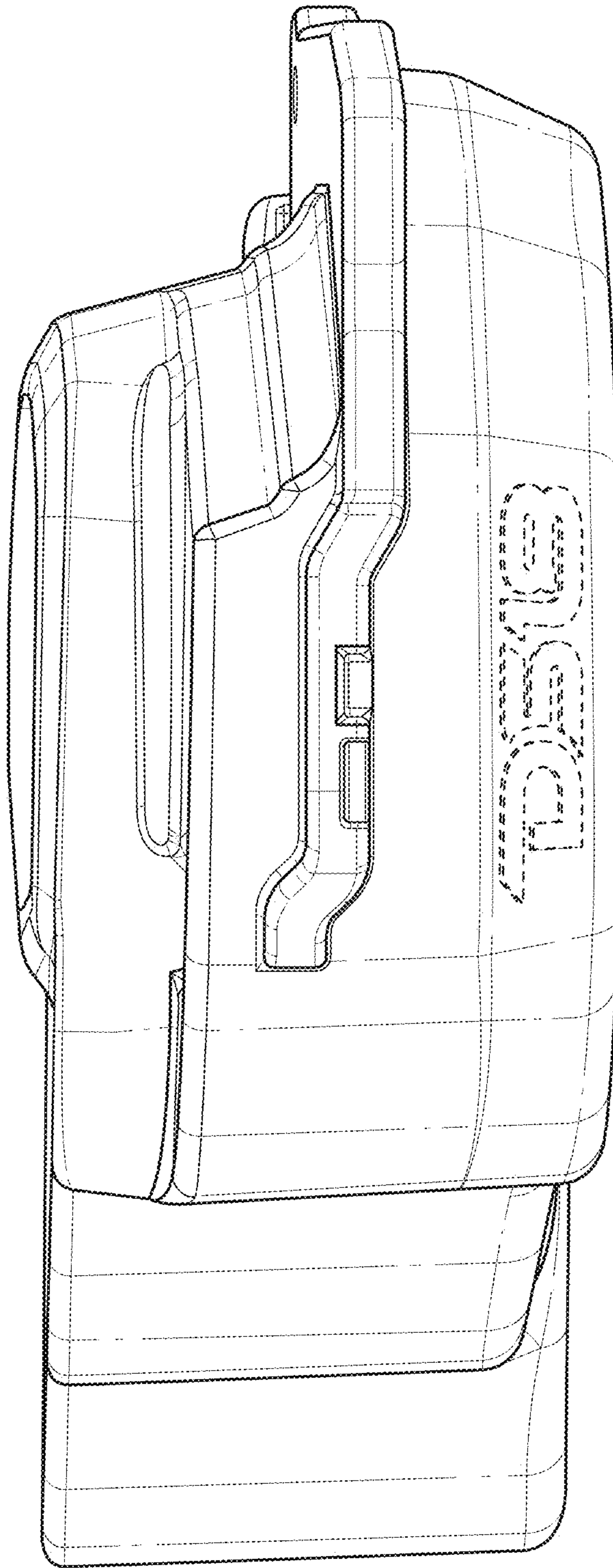


Fig. 5



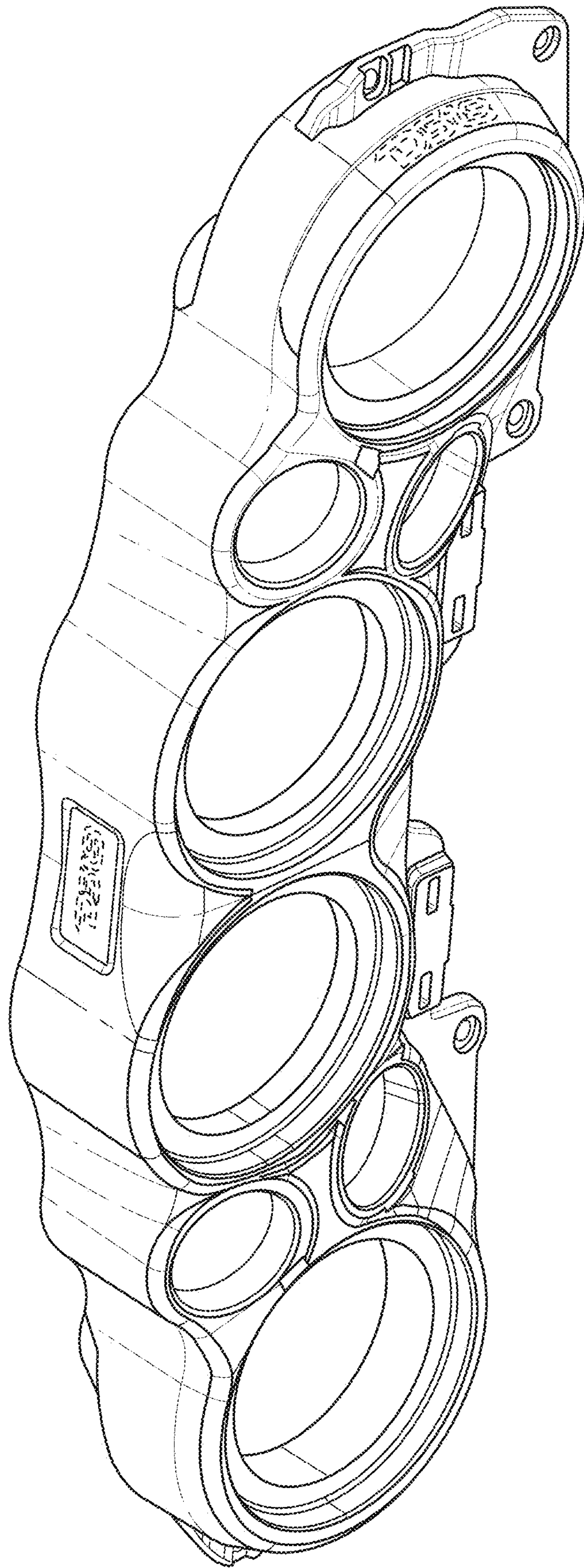


Fig. 6

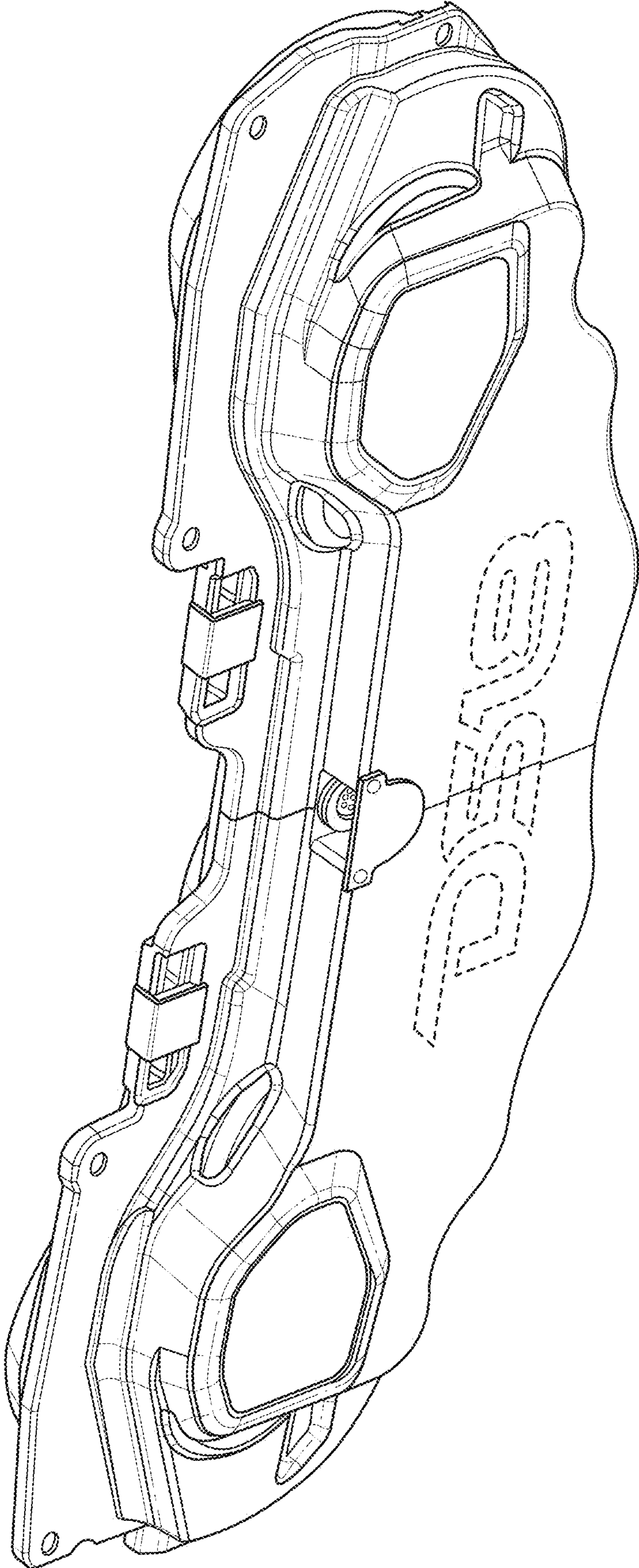


Fig. 7