



US00D953292S

(12) **United States Design Patent**
Zhang

(10) **Patent No.:** **US D953,292 S**

(45) **Date of Patent:** **** May 31, 2022**

(54) **HEADSET**

(71) Applicant: **Caiqiang Zhang**, Guangdong (CN)

(72) Inventor: **Caiqiang Zhang**, Guangdong (CN)

(**) Term: **15 Years**

(21) Appl. No.: **29/796,915**

(22) Filed: **Jun. 28, 2021**

(30) **Foreign Application Priority Data**

Jun. 7, 2021 (EM) 008568950-0001

(51) **LOC (13) Cl.** **14-01**

(52) **U.S. Cl.**

USPC **D14/206**; D14/226

(58) **Field of Classification Search**

USPC D14/206, 226, 188, 192, 225; D29/112;
2/209; 381/380, 381, 374; 455/90.3,
455/575.1, 569.1; 362/105, 106

CPC H04R 25/00; H04R 25/02; H04R 1/1066;
H04R 1/1016; H04R 5/033; H04R
5/0335; H04R 19/04; H04R 11/04; H04R
1/1008; G09G 5/00; G02B 27/017

See application file for complete search history.

(56) **References Cited**

U.S. PATENT DOCUMENTS

- D321,879 S * 11/1991 Emmerling D14/188
- D411,200 S * 6/1999 Almqvist D29/112
- D439,574 S * 3/2001 Katayama D14/203.5
- D467,895 S * 12/2002 Hirano D14/192
- D491,163 S * 6/2004 Green D14/205
- 7,106,873 B1 * 9/2006 Harrison H04R 25/48
381/381
- D530,306 S * 10/2006 Wang D14/188
- D538,261 S * 3/2007 Taylor D14/205
- D541,255 S * 4/2007 Taylor D14/205
- D583,800 S * 12/2008 Jaakkola D14/205

- D592,182 S * 5/2009 Sanguinetti D14/205
 - D592,640 S * 5/2009 Tkachuk D14/205
 - D637,176 S * 5/2011 Brunner D14/205
 - D641,727 S * 7/2011 Krauss D14/206
 - D673,519 S * 1/2013 Tan D14/205
 - D691,582 S * 10/2013 Nguyen H04S 1/005
D14/205
 - D691,984 S * 10/2013 Wang D14/205
 - 8,767,996 B1 * 7/2014 Lin H04R 3/12
381/370
 - D722,302 S * 2/2015 Lee D14/205
- (Continued)

FOREIGN PATENT DOCUMENTS

- CN 306278857 * 1/2021
- CN 306350598 * 2/2021

(Continued)

Primary Examiner — Paula Allen Greene

(57) **CLAIM**

The ornamental design for a headset, as shown and described.

DESCRIPTION

FIG. 1 is a front, right, and top perspective view of a headset, showing my design.

FIG. 2 is a rear, left, and bottom perspective view thereof.

FIG. 3 is a front elevation view thereof.

FIG. 4 is a rear elevation view thereof.

FIG. 5 is a left side elevation view thereof.

FIG. 6 is a right side elevation view thereof.

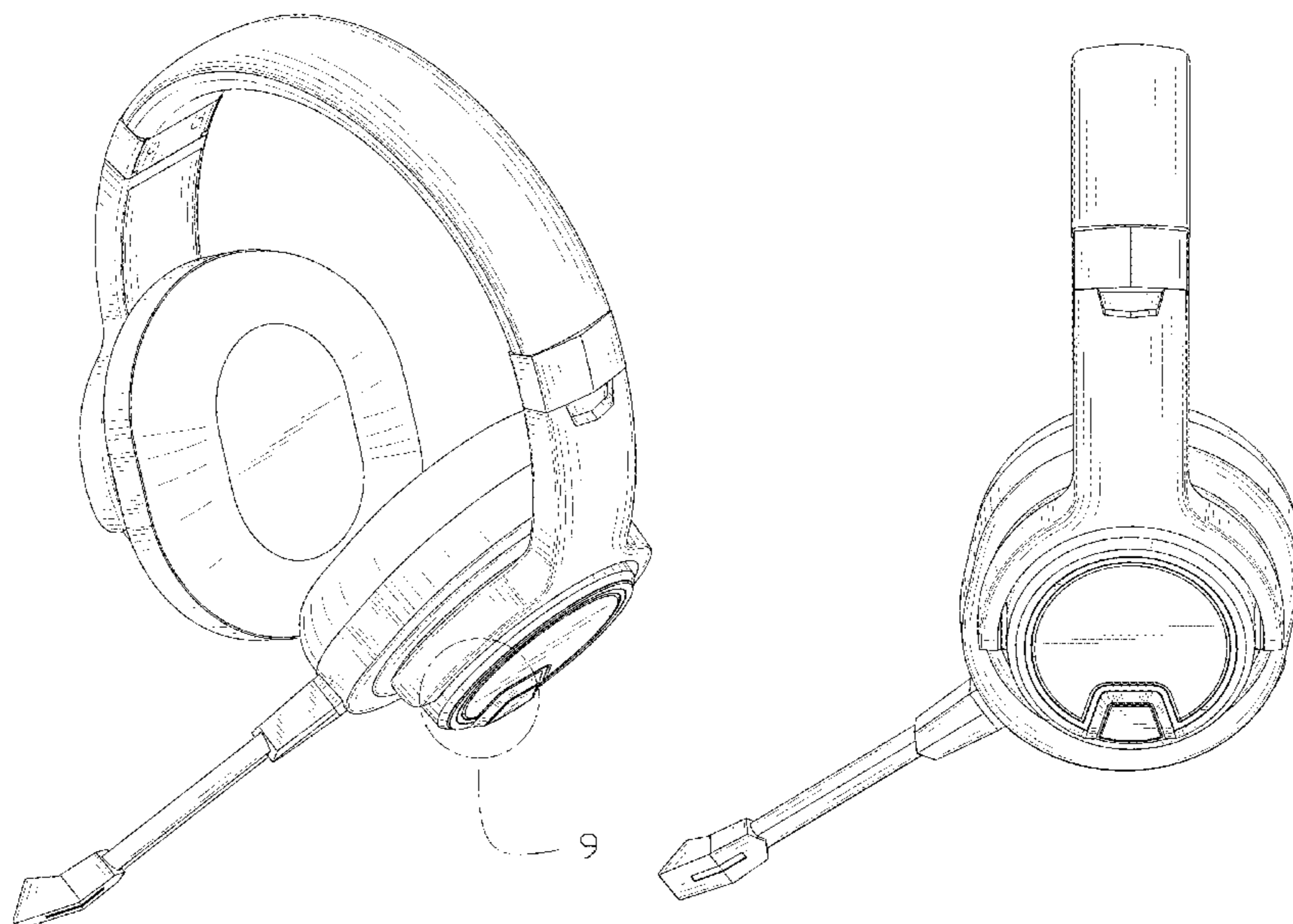
FIG. 7 is a top plan view thereof.

FIG. 8 is a bottom plan view thereof; and,

FIG. 9 is a partial enlarged view of an area labeled 9 in FIG. 1 comprising an right part.

The dot-dash-dot broken lines encircling portions of the headset in FIG. 1 and illustrated in the enlarged view of FIG. 9 form no part of the claimed design.

1 Claim, 9 Drawing Sheets



(56)

References Cited

U.S. PATENT DOCUMENTS

D740,256 S * 10/2015 Carr D14/206
 D741,286 S * 10/2015 Brennwald D14/205
 D778,258 S * 2/2017 Hsu D14/205
 D812,588 S * 3/2018 Levine D14/225
 D815,614 S * 4/2018 Tzeng D14/206
 D830,993 S * 10/2018 Petersen D14/205
 D832,813 S * 11/2018 Levine D14/205
 D836,084 S * 12/2018 Xie D14/205
 D838,687 S * 1/2019 Wu D14/205
 D840,370 S * 2/2019 Kelly D14/205
 D840,373 S * 2/2019 Lee D14/206
 D841,617 S * 2/2019 Mei D14/205
 D856,967 S * 8/2019 Tang D14/206
 D856,968 S * 8/2019 Tang D14/206
 D856,970 S * 8/2019 Tang D14/206
 D857,656 S * 8/2019 Ipsen D14/206
 D864,155 S * 10/2019 Liu D14/206
 D864,156 S * 10/2019 Liu D14/206
 D868,734 S * 12/2019 Wang D14/206
 D875,067 S * 2/2020 Tsubone D14/205
 D883,949 S * 5/2020 Hu D14/205
 D888,008 S * 6/2020 Yook D14/205
 D889,402 S * 7/2020 Lim D13/108
 D893,454 S * 8/2020 Li D14/206

D899,402 S * 10/2020 Shen D14/206
 D901,436 S * 11/2020 Peng D14/205
 D905,001 S * 12/2020 Enqvist D14/205
 D908,663 S * 1/2021 Tamamura D14/205
 D920,283 S 5/2021 Levine et al.
 D922,983 S 6/2021 Fustino et al.
 D931,831 S * 9/2021 Liu D14/206
 D935,440 S * 11/2021 Liu D14/206
 D935,441 S * 11/2021 Liu D14/206
 D940,100 S * 1/2022 Xie D14/206
 D941,802 S * 1/2022 He D14/206
 D941,803 S * 1/2022 He D14/206
 2009/0003616 A1 * 1/2009 Kleinschmidt H04R 1/1066
 381/374
 2010/0040252 A1 * 2/2010 Thompson H04R 1/083
 381/375
 2011/0194721 A1 * 8/2011 Schmidt H04R 1/1066
 381/370
 2016/0286019 A1 * 9/2016 Broadley H04M 1/72409
 2018/0268834 A1 * 9/2018 Krasnov G10L 21/003
 2019/0394554 A1 * 12/2019 Lee H01M 50/105

FOREIGN PATENT DOCUMENTS

CN 306991967 * 12/2021
 EM 008568950-0001 * 6/2021

* cited by examiner



FIG. 1



FIG. 2



FIG. 3



FIG. 4

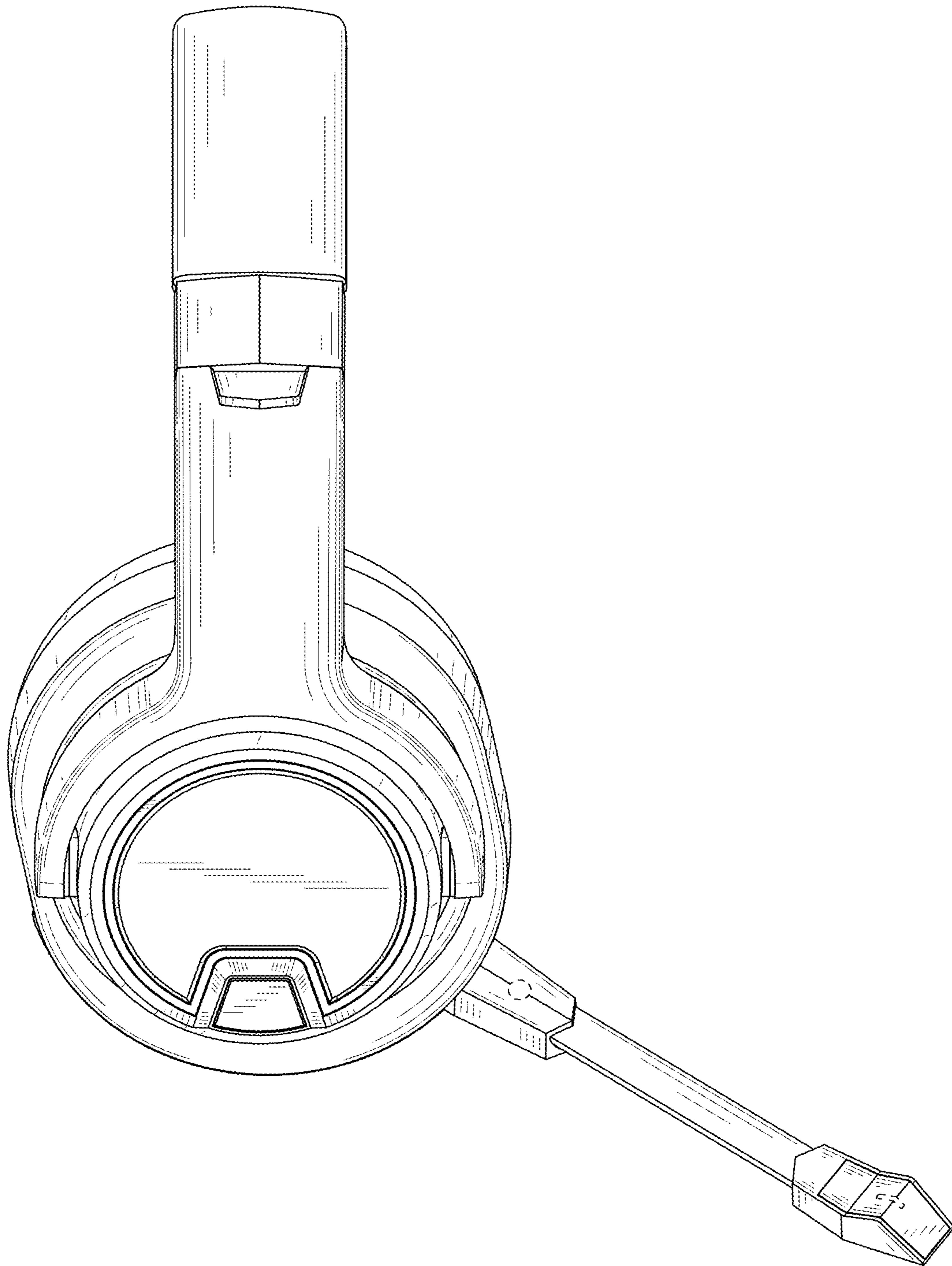


FIG. 5

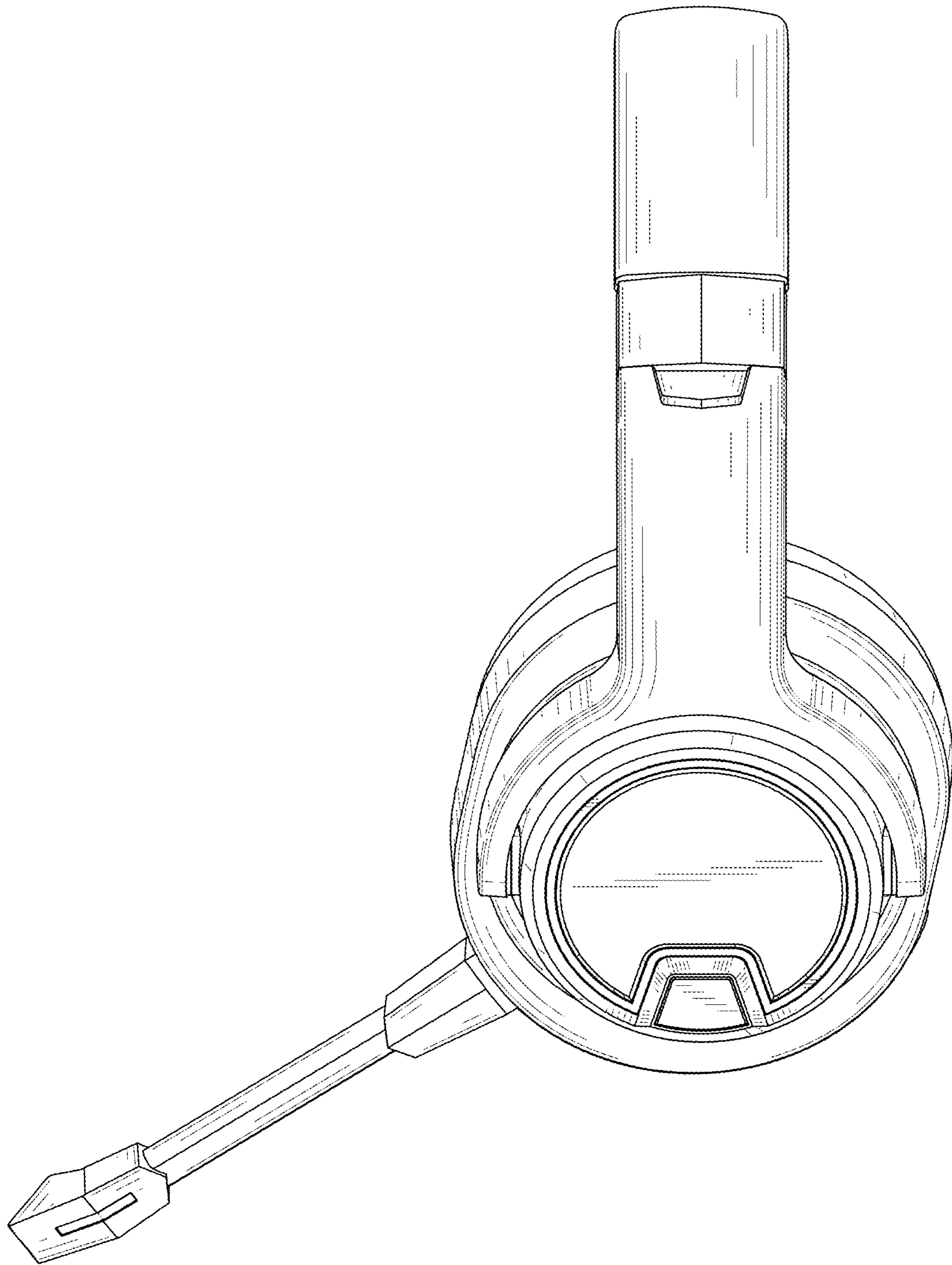


FIG. 6

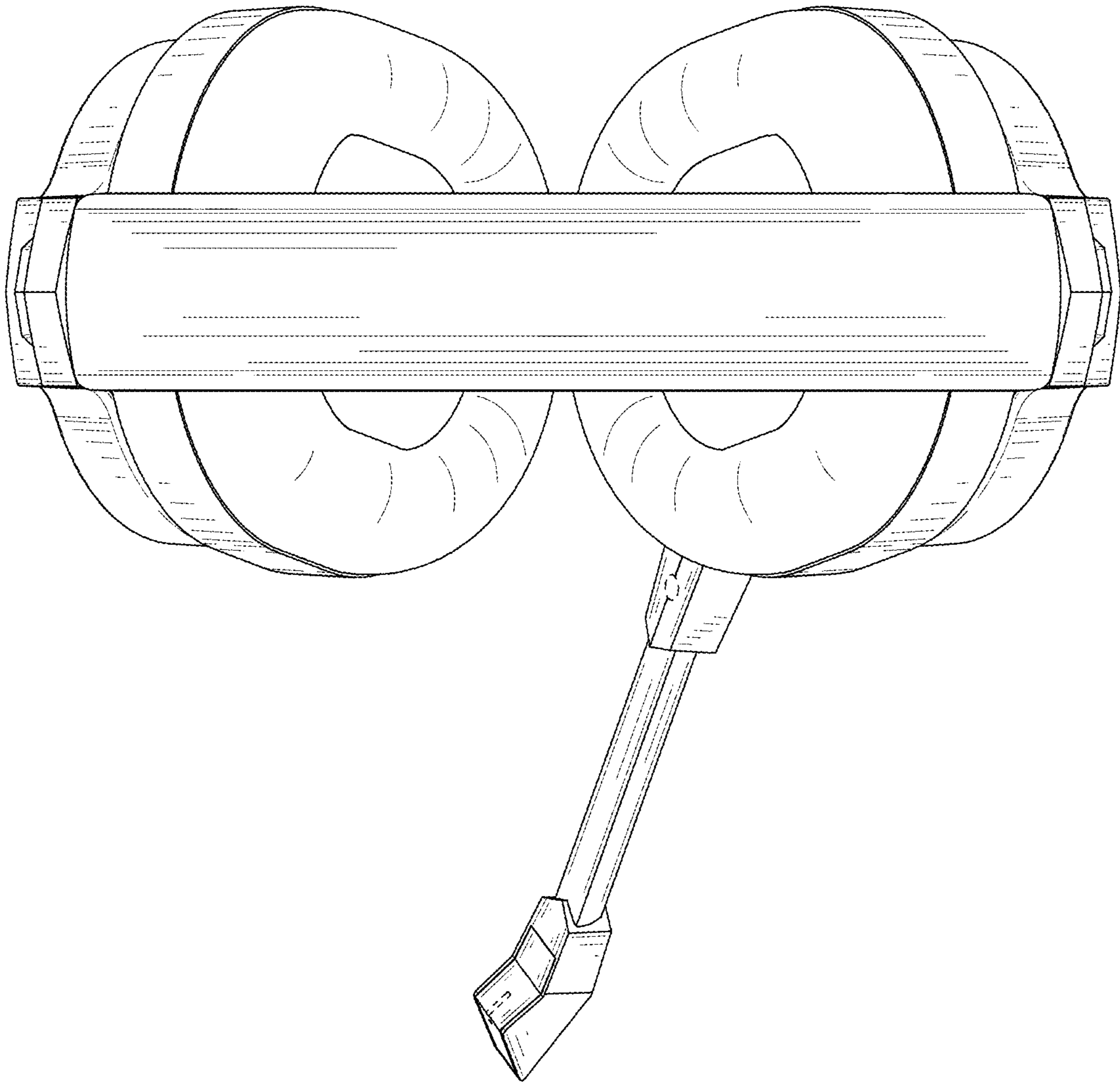


FIG. 7

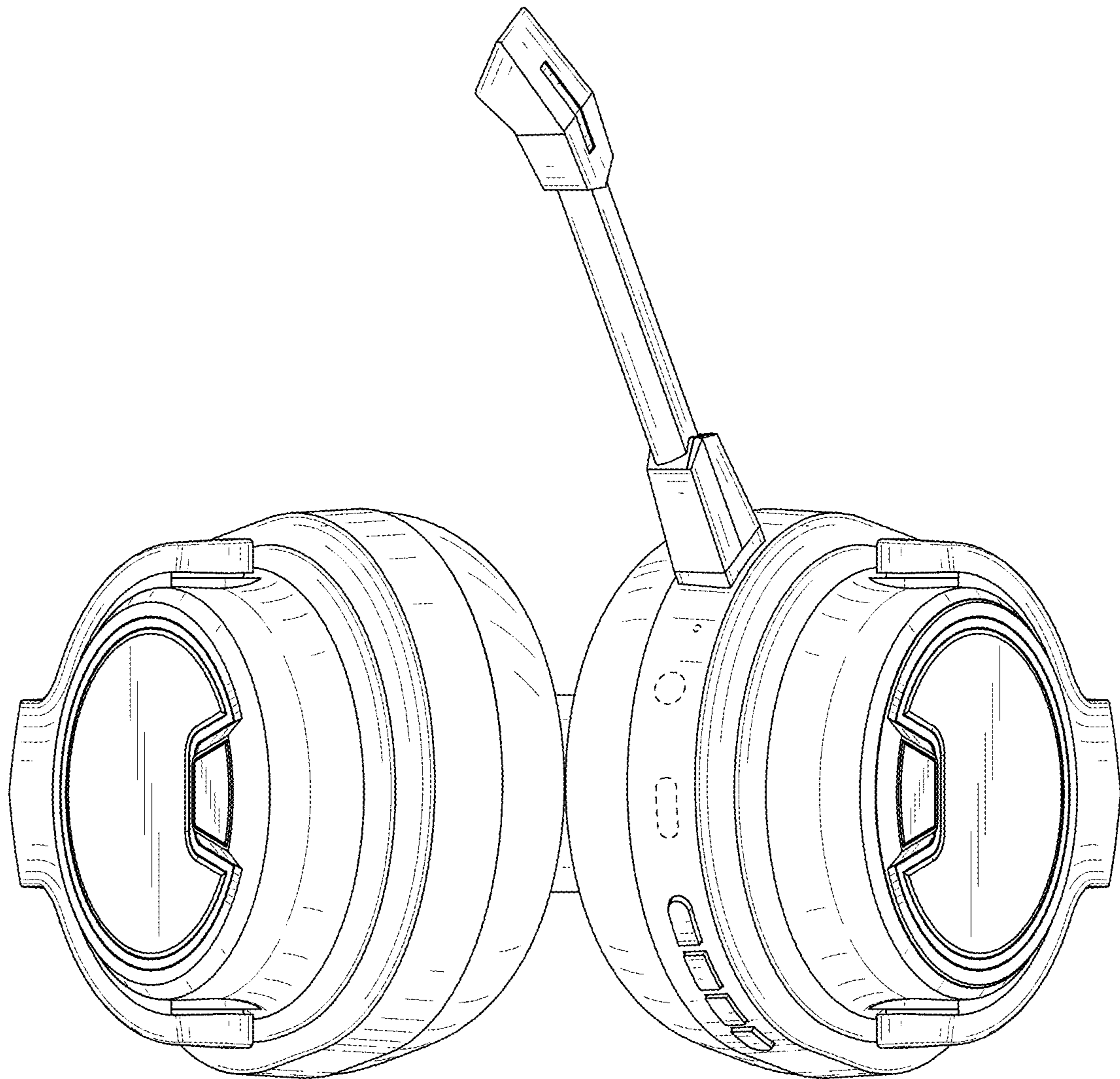


FIG. 8

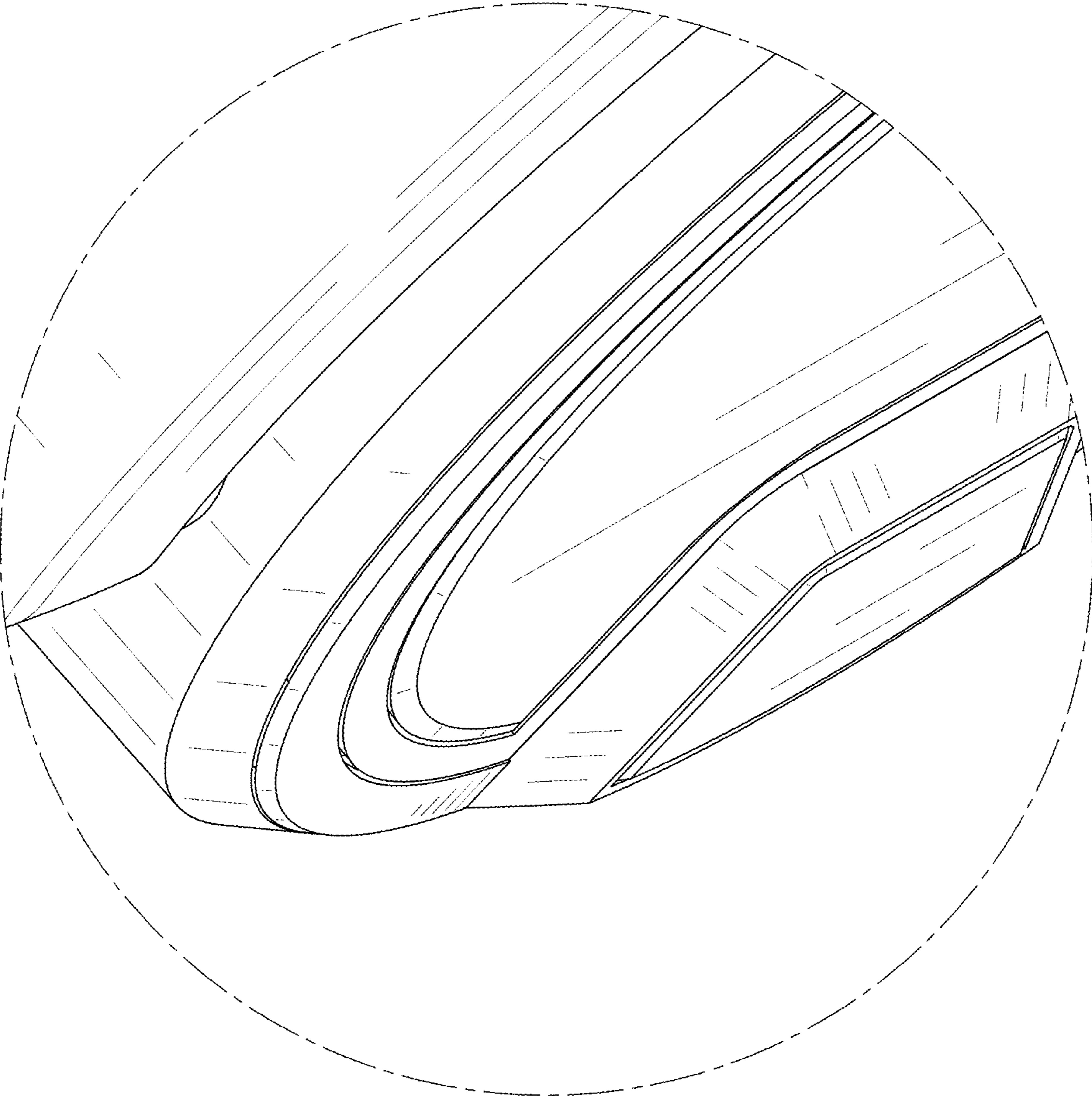


FIG. 9