



US00D953291S

(12) **United States Design Patent**  
**Mao et al.**

(10) **Patent No.:** **US D953,291 S**

(45) **Date of Patent:** **\*\* May 31, 2022**

(54) **EARPHONE**

(71) Applicant: **SHENZHEN SHOKZ CO., LTD.**,  
Shenzhen (CN)

(72) Inventors: **Xinnan Mao**, Shenzhen (CN); **Dan Hu**,  
Shenzhen (CN); **Yonggen Wang**,  
Shenzhen (CN); **Zhiqing Liu**, Shenzhen  
(CN)

(73) Assignee: **SHENZHEN SHOKZ CO., LTD.**,  
Shenzhen (CN)

(\*\*) Term: **15 Years**

(21) Appl. No.: **29/746,285**

(22) Filed: **Aug. 13, 2020**

(51) **LOC (13) Cl.** ..... **14-01**

(52) **U.S. Cl.**  
USPC ..... **D14/206; D14/226**

(58) **Field of Classification Search**  
USPC ..... D14/206, 205, 226, 188, 192, 223;  
D29/112; 2/209; 381/380, 381, 74, 370,  
381/374; 455/90.3, 575.1, 569.1  
CPC ..... H04R 25/00; H04R 25/02; H04R 1/1066;  
H04R 1/1016; H04R 5/033; H04R  
5/0335; H04R 1/10; H04R 1/105; H04R  
11/02; H04R 9/06  
See application file for complete search history.

(56) **References Cited**

**U.S. PATENT DOCUMENTS**

2,641,327 A \* 6/1953 Balmer ..... H04R 1/105  
181/129  
D318,669 S \* 7/1991 Nakayama ..... D14/205  
D321,879 S \* 11/1991 Emmerling ..... D14/192  
D337,587 S \* 7/1993 Nakayama ..... D14/205  
D368,716 S \* 4/1996 Shudo ..... D14/205  
D371,558 S \* 7/1996 Yoshizawa ..... D14/205

5,625,171 A \* 4/1997 Marshall ..... H04R 1/1058  
181/130  
D421,014 S \* 2/2000 Smith ..... D14/205  
D426,880 S \* 6/2000 Leight ..... D14/223  
D452,492 S \* 12/2001 Mori ..... D14/223  
D458,245 S \* 6/2002 Masuda ..... D14/192  
D460,752 S \* 7/2002 Gerdom ..... D14/222  
D471,176 S \* 3/2003 Suzuki ..... D14/205  
D549,215 S \* 8/2007 Lee ..... D14/206  
D550,202 S \* 9/2007 Meier ..... D14/206  
D557,685 S \* 12/2007 Lee ..... D14/205  
D559,831 S \* 1/2008 Lee ..... D14/205  
D575,268 S \* 8/2008 Christopher ..... D14/205  
D579,442 S \* 10/2008 Kim ..... D14/205  
D587,678 S \* 3/2009 Yuyama ..... D14/205  
D604,269 S \* 11/2009 Choe ..... D14/205  
D617,308 S \* 6/2010 Nousiainen ..... D14/205

(Continued)

**FOREIGN PATENT DOCUMENTS**

CN 303403539 \* 10/2015  
CN 306686832 \* 7/2021

(Continued)

*Primary Examiner* — Paula Allen Greene

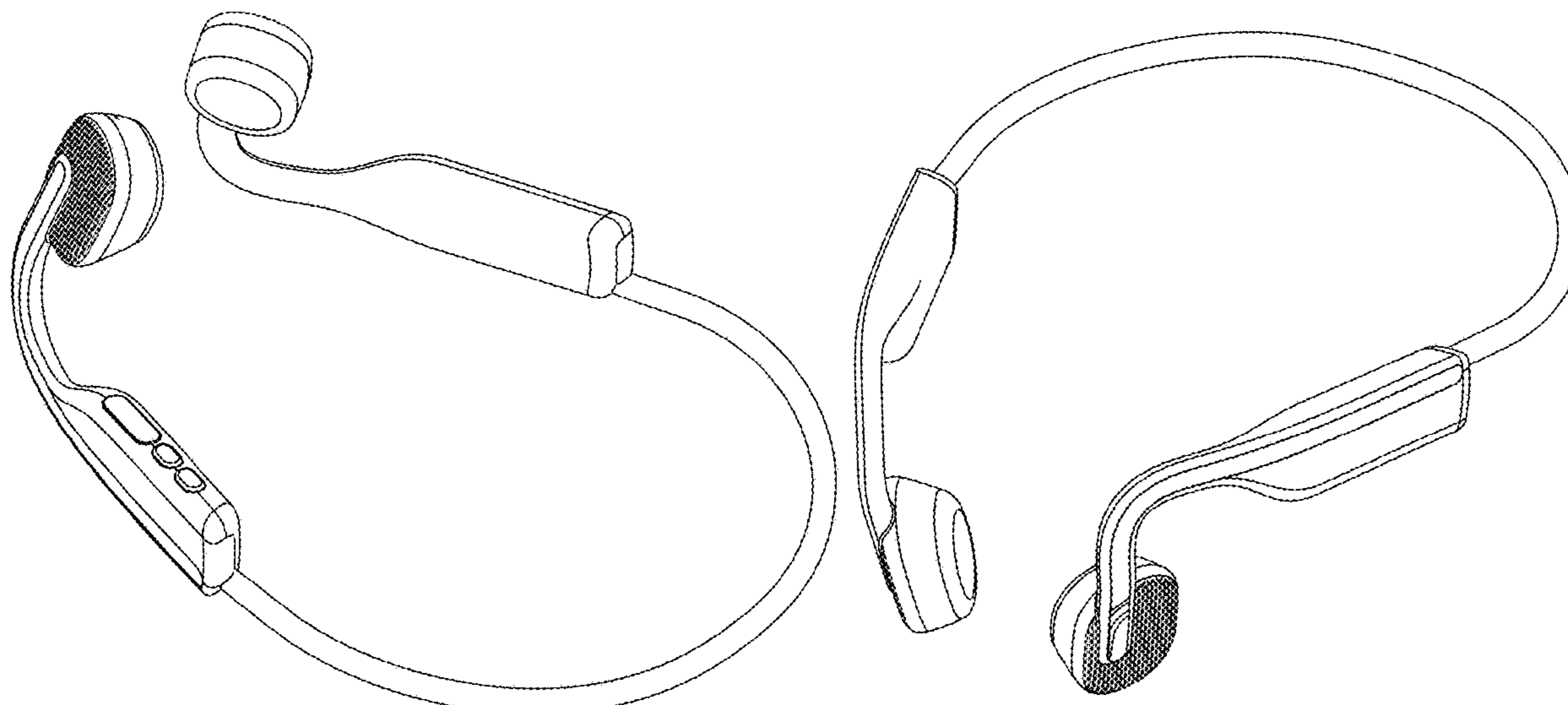
(57) **CLAIM**

The ornamental design for an earphone, as shown and described.

**DESCRIPTION**

FIG. 1 is a first perspective view of an earphone showing my design;  
FIG. 2 is a second perspective view thereof;  
FIG. 3 is a third perspective view thereof;  
FIG. 4 is a front view thereof;  
FIG. 5 is a rear view thereof;  
FIG. 6 is a left side view thereof;  
FIG. 7 is a right side view thereof;  
FIG. 8 is a top view thereof; and,  
FIG. 9 is a bottom plan view thereof.

**1 Claim, 8 Drawing Sheets**



(56)

References Cited

U.S. PATENT DOCUMENTS

D623,627 S \* 9/2010 Alden ..... D14/205  
 D653,234 S \* 1/2012 Lee ..... D14/205  
 D669,881 S \* 10/2012 Clements ..... D14/205  
 D671,523 S \* 11/2012 Daniel ..... D14/206  
 D678,858 S \* 3/2013 Feng ..... D14/205  
 D706,745 S \* 6/2014 Nakagawa ..... H04R 1/1066  
 D14/205  
 D707,199 S \* 6/2014 Ceyress ..... H04R 1/10  
 D14/205  
 D716,759 S \* 11/2014 Ha ..... D14/205  
 D717,765 S \* 11/2014 Rausch ..... D14/205  
 D721,673 S \* 1/2015 Park ..... D14/205  
 D740,785 S \* 10/2015 Chen ..... D14/205  
 D756,958 S \* 5/2016 Lee ..... D14/205  
 D756,959 S \* 5/2016 Lee ..... D14/205  
 D763,821 S \* 8/2016 Leopardi ..... D14/205  
 D766,869 S \* 9/2016 Lee ..... D14/205  
 D771,587 S \* 11/2016 Iwane ..... D14/205  
 D790,501 S \* 6/2017 Wang ..... D14/205  
 D790,502 S \* 6/2017 Qi ..... D14/205  
 D791,100 S \* 7/2017 Chen ..... D14/205  
 D810,719 S \* 2/2018 Nagamine ..... D14/205  
 D823,279 S \* 7/2018 Chen ..... D14/205  
 D829,190 S \* 9/2018 Bullen ..... D14/205  
 D851,060 S \* 6/2019 Lu ..... D14/205  
 D851,623 S \* 6/2019 Zhang ..... D14/205  
 D853,351 S \* 7/2019 Ott ..... D14/205  
 D875,710 S \* 2/2020 Bailey ..... D14/205

D883,252 S \* 5/2020 Tong ..... D14/205  
 D895,571 S \* 9/2020 Li ..... D14/205  
 D906,281 S \* 12/2020 Zhang ..... D14/205  
 D907,002 S \* 1/2021 Zhang ..... D14/205  
 D909,996 S \* 2/2021 Zhang ..... D14/223  
 D912,644 S \* 3/2021 Liu ..... D14/205  
 D915,345 S \* 4/2021 Zhang ..... D14/205  
 D919,592 S \* 5/2021 Trought ..... D14/205  
 D926,726 S \* 8/2021 Zhang ..... D14/205  
 11,197,084 B2 \* 12/2021 Li ..... H04R 1/1008  
 2001/0010727 A1 \* 8/2001 Urwyler ..... H04R 1/1033  
 381/384  
 2014/0185837 A1 \* 7/2014 Kunimoto ..... H04R 1/1075  
 381/151  
 2015/0146880 A1 \* 5/2015 Boni ..... H04R 1/1008  
 381/74  
 2017/0127167 A1 \* 5/2017 Zheng ..... H04R 1/105  
 2017/0223445 A1 \* 8/2017 Bullen ..... G06F 3/165  
 2019/0075389 A1 \* 3/2019 Jan ..... H04R 1/1041  
 2019/0222911 A1 \* 7/2019 Alwicker ..... H04R 1/08  
 2020/0084531 A1 \* 3/2020 Mainini ..... H04R 1/1016  
 2021/0014595 A1 \* 1/2021 Li ..... H04R 1/023  
 2021/0021939 A1 \* 1/2021 Olah ..... H04R 1/1041  
 2021/0076123 A1 \* 3/2021 Zhang ..... H04R 1/06

FOREIGN PATENT DOCUMENTS

CN 306824741 \* 9/2021  
 EM 008109847-0001 \* 8/2020  
 GB 9008109847-0001 \* 8/2020

\* cited by examiner

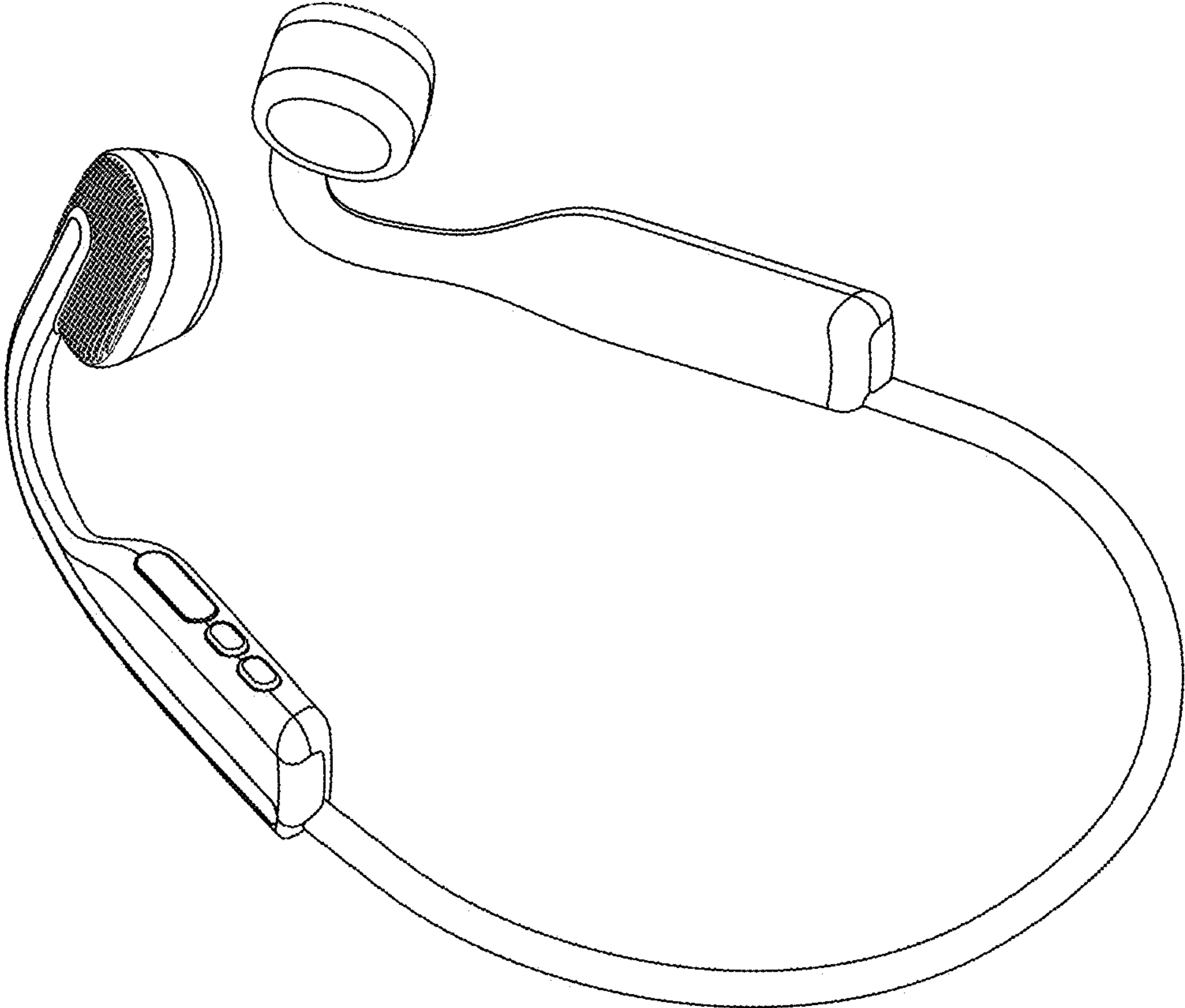


FIG. 1

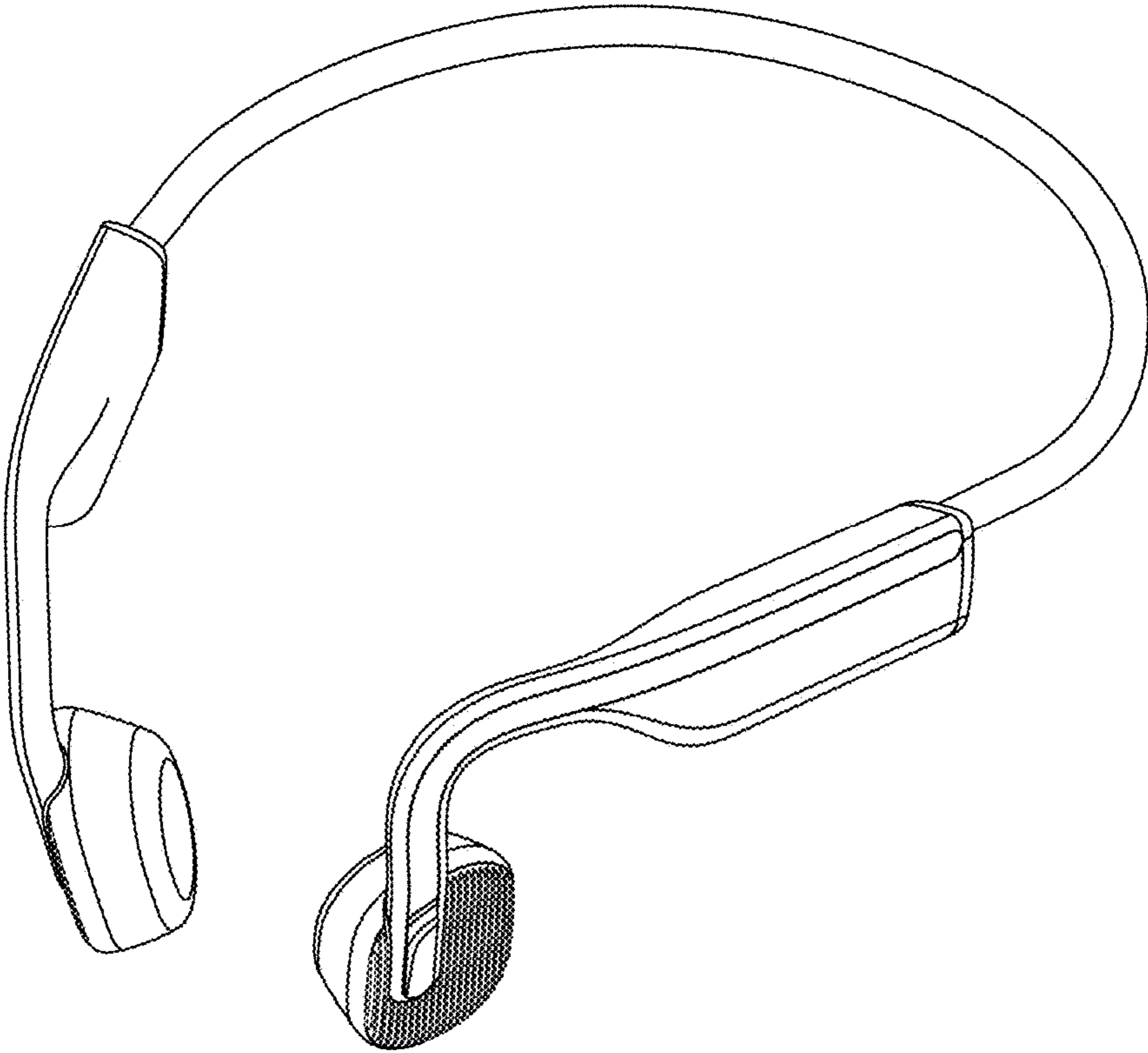


FIG. 2

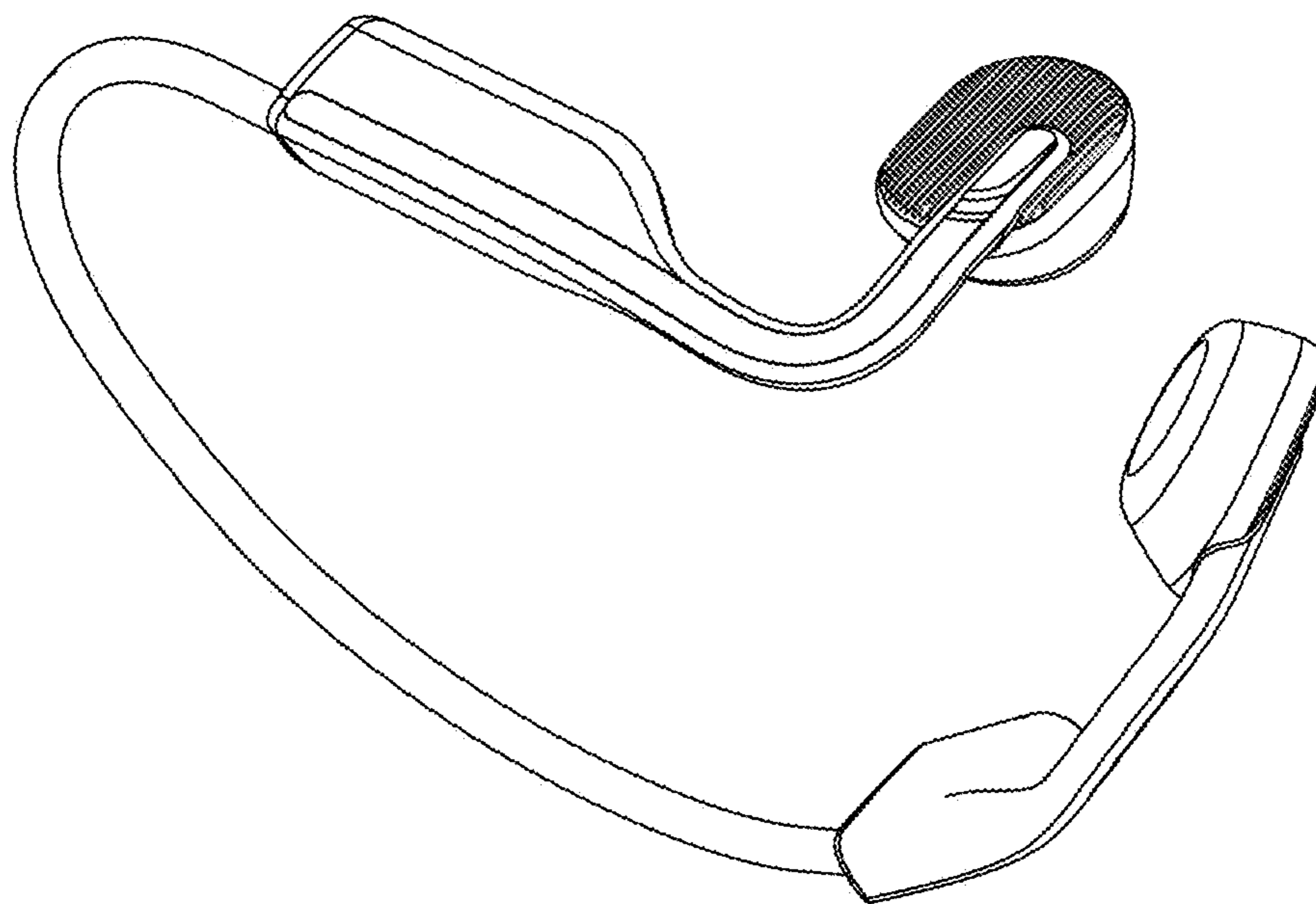


FIG. 3

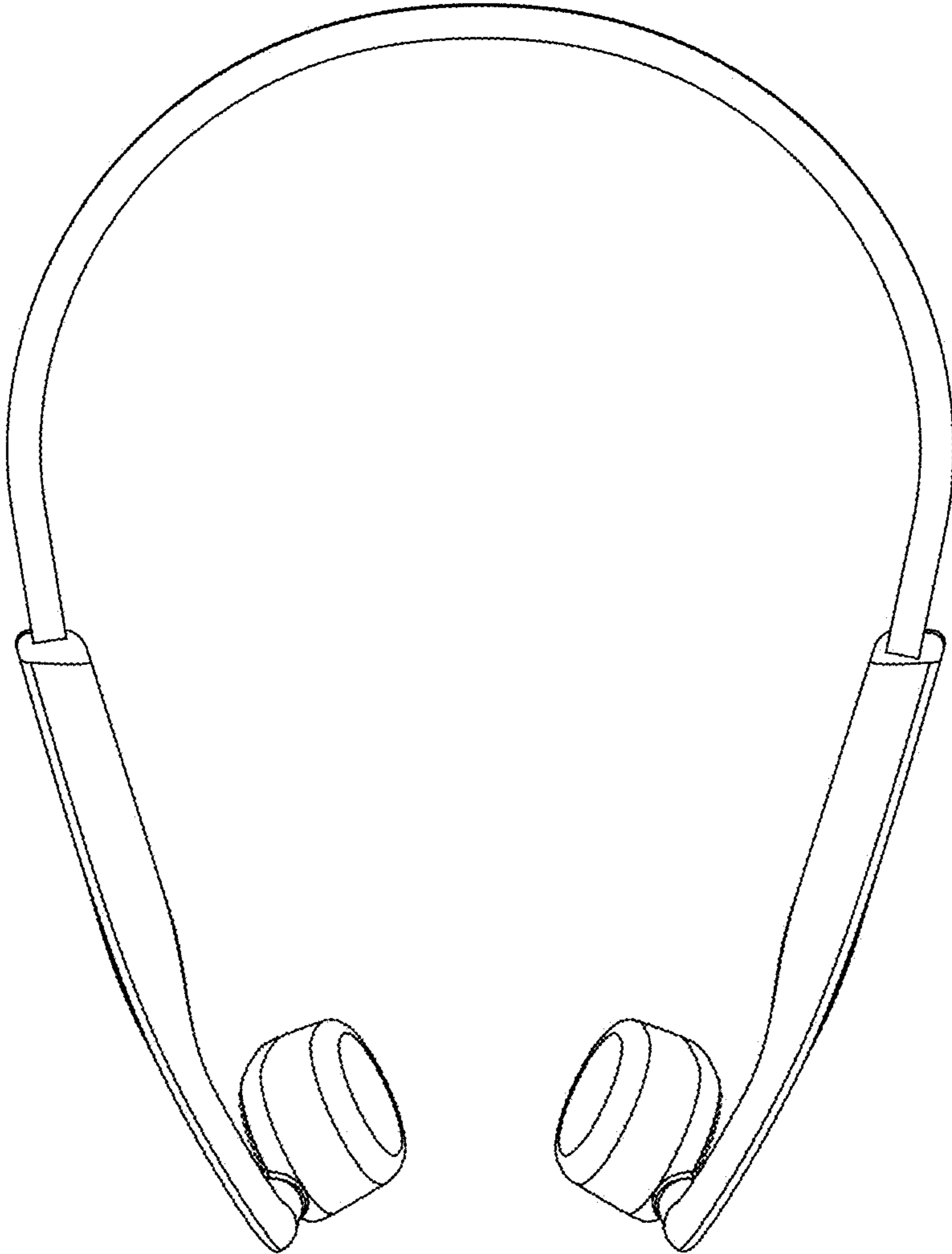


FIG. 4



FIG. 5

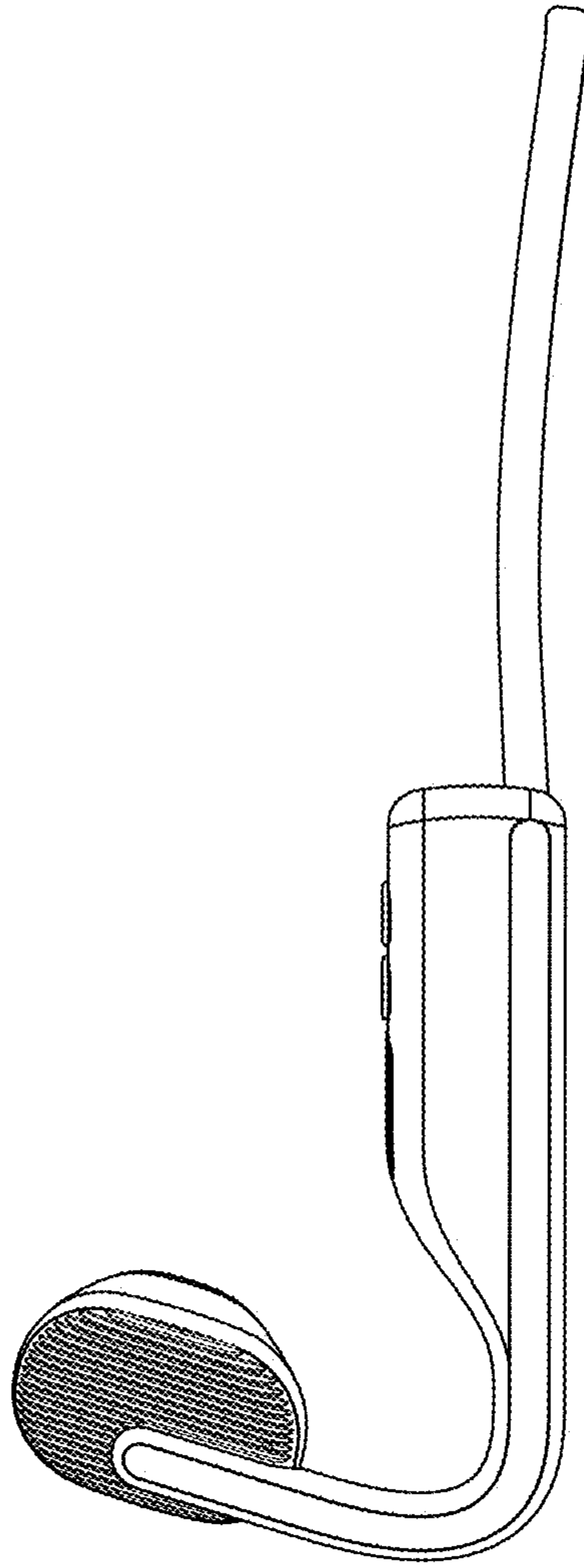


FIG. 6



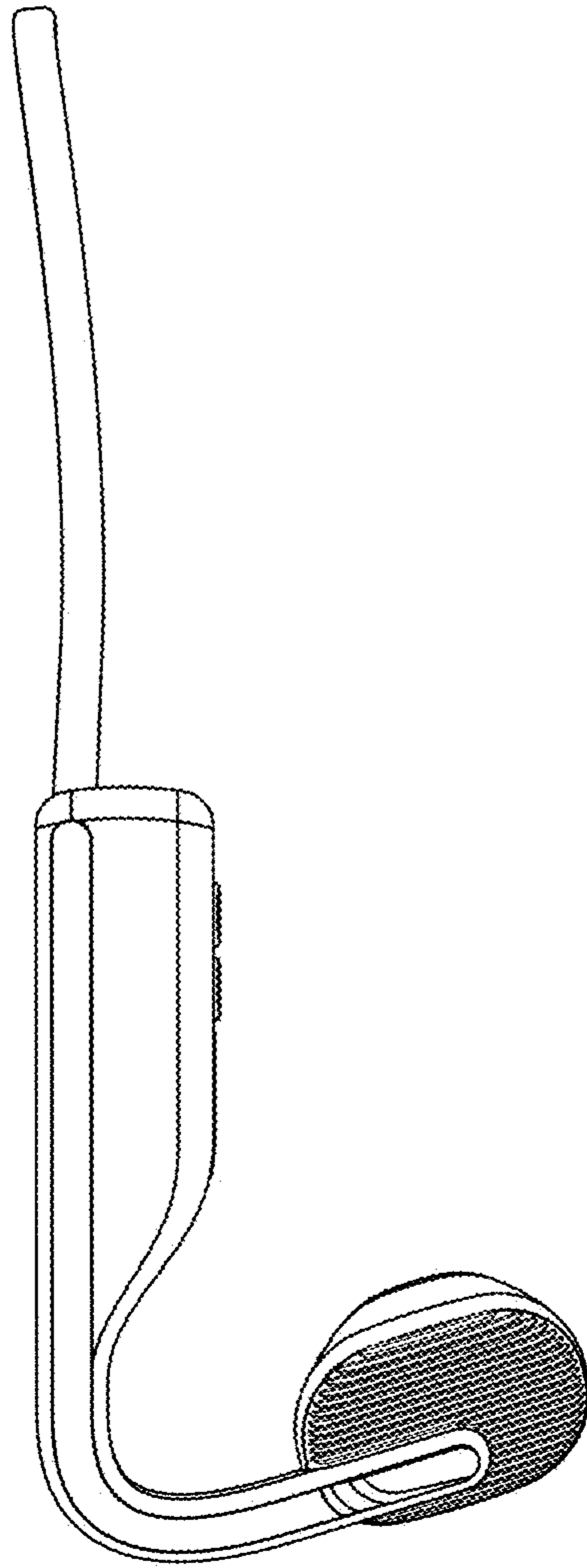


FIG. 7

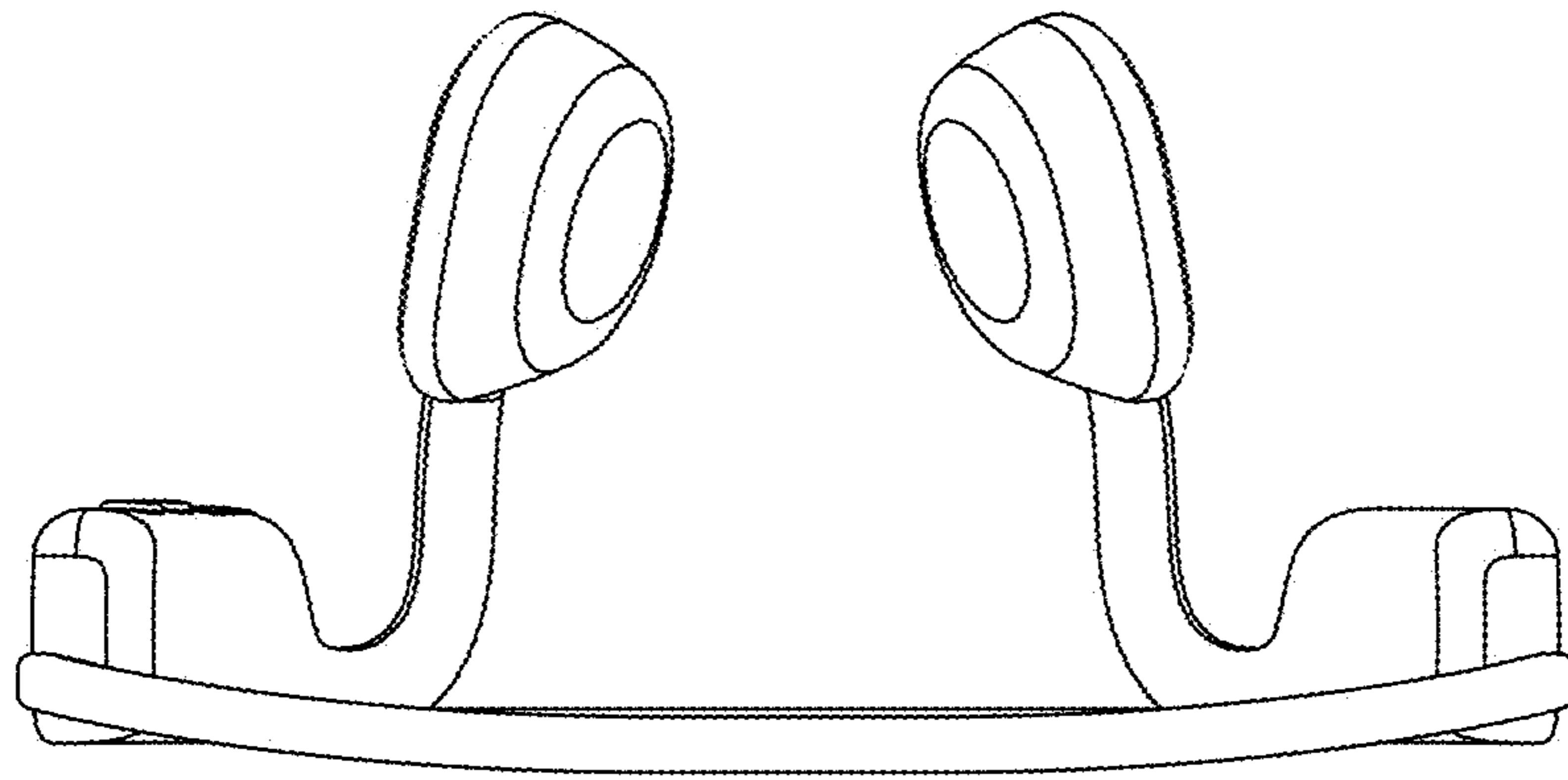


FIG. 8

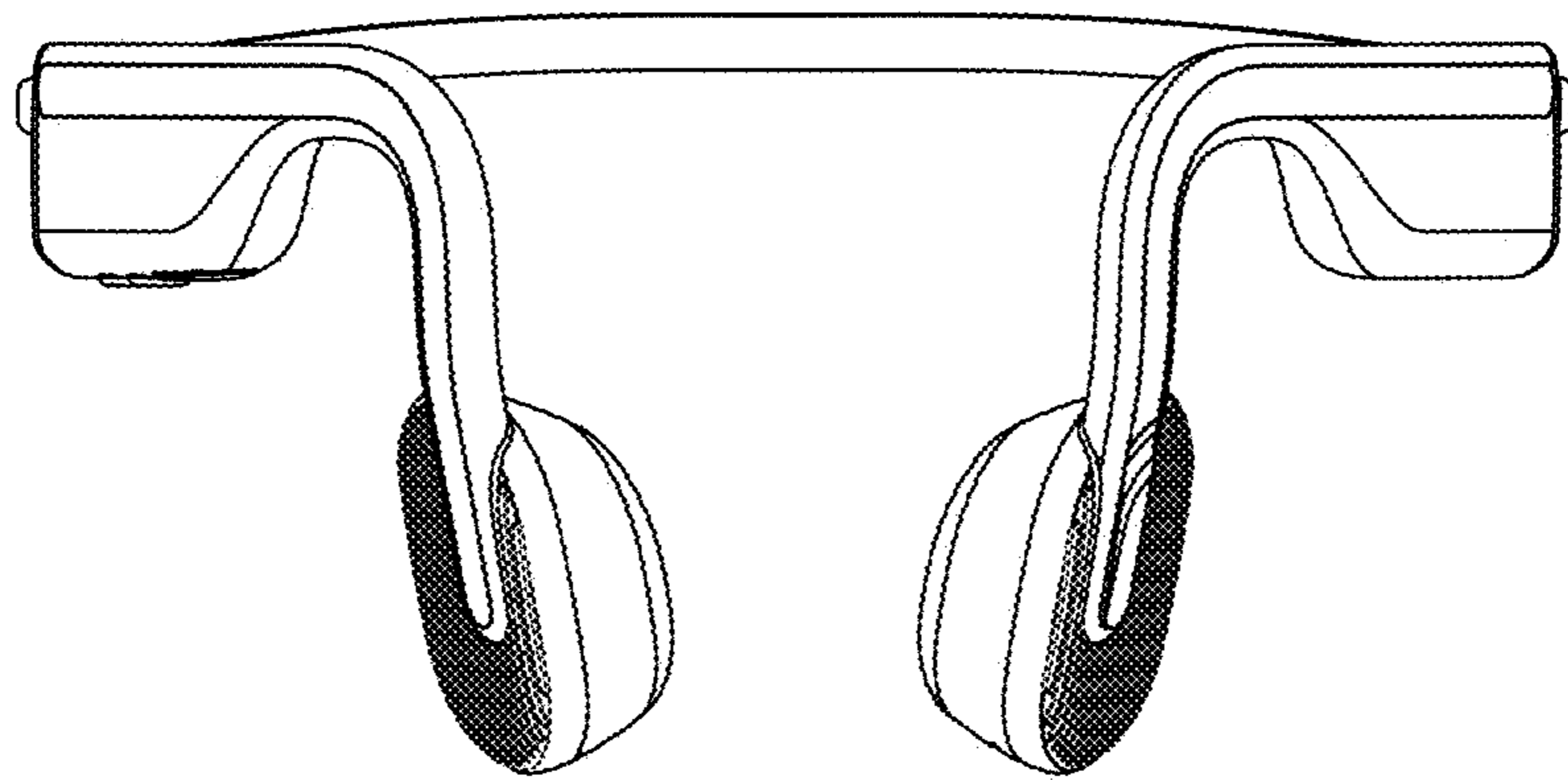


FIG. 9