



US00D953290S

(12) **United States Design Patent** (10) **Patent No.:** **US D953,290 S**  
**Liu** (45) **Date of Patent:** **\*\* May 31, 2022**

(54) **EARPHONE**  
(71) Applicant: **Beijun Liu**, Guangdong (CN)  
(72) Inventor: **Beijun Liu**, Guangdong (CN)  
(73) Assignee: **ZhongTian DingSheng (Shenzhen) Industry Co., Ltd**, Shenzhen (CN)  
(\*\*) Term: **15 Years**  
(21) Appl. No.: **29/740,495**  
(22) Filed: **Jul. 4, 2020**  
(51) **LOC (13) Cl.** ..... **14-01**  
(52) **U.S. Cl.**  
USPC ..... **D14/205**; D14/206  
(58) **Field of Classification Search**  
USPC ..... D14/205, 206, 226, 188, 192; D29/112;  
2/209; D28/41; 132/275; 362/105;  
381/380, 381, 370  
CPC ..... F21V 21/084; F21V 33/00; G02B 27/01;  
G02B 27/017; H04R 25/00; H04R 25/02;  
H04R 1/1066; H04R 1/1016; H04R  
5/033; H04R 5/0335; H04R 1/02; H04R  
1/10; H04R 1/1041; H04R 9/06  
See application file for complete search history.

(56) **References Cited**  
U.S. PATENT DOCUMENTS  
D342,947 S \* 1/1994 Totsuka ..... D14/205  
D418,509 S \* 1/2000 Zeitman ..... D14/205  
6,295,366 B1 \* 9/2001 Haller ..... H04R 5/0335  
379/430  
6,449,806 B1 \* 9/2002 Engelhard ..... H04R 5/0335  
381/376  
D651,586 S \* 1/2012 Lee ..... D14/205  
D656,480 S \* 3/2012 McManigal ..... D14/205  
D659,672 S \* 5/2012 Lee ..... D14/205  
D672,744 S \* 12/2012 Scarpa ..... D14/205  
D691,111 S \* 10/2013 Lee ..... D14/206

D723,509 S \* 3/2015 Garland ..... D14/205  
D724,561 S \* 3/2015 Ko ..... D14/205  
D727,278 S \* 4/2015 Solomon ..... D14/205  
9,036,849 B2 \* 5/2015 Thompson ..... H04R 1/083  
381/370  
D734,736 S \* 7/2015 Jin ..... D14/206  
D739,843 S \* 9/2015 Daniel ..... D14/205  
D745,859 S \* 12/2015 Kiuchi ..... D14/205  
D769,219 S \* 10/2016 Ohmachi ..... D14/205  
D778,258 S \* 2/2017 Hsu ..... D14/205  
D841,620 S \* 2/2019 Liu ..... D14/206  
D845,927 S \* 4/2019 Wang ..... D14/206  
D851,063 S \* 6/2019 Deng ..... D14/206  
D856,967 S \* 8/2019 Tang ..... D14/206  
D856,968 S \* 8/2019 Tang ..... D14/206  
(Continued)

**FOREIGN PATENT DOCUMENTS**

CN 306941733 \* 11/2021  
CN 307191723 \* 3/2022  
(Continued)

*Primary Examiner* — Paula Allen Greene  
(74) *Attorney, Agent, or Firm* — Justin Lampel

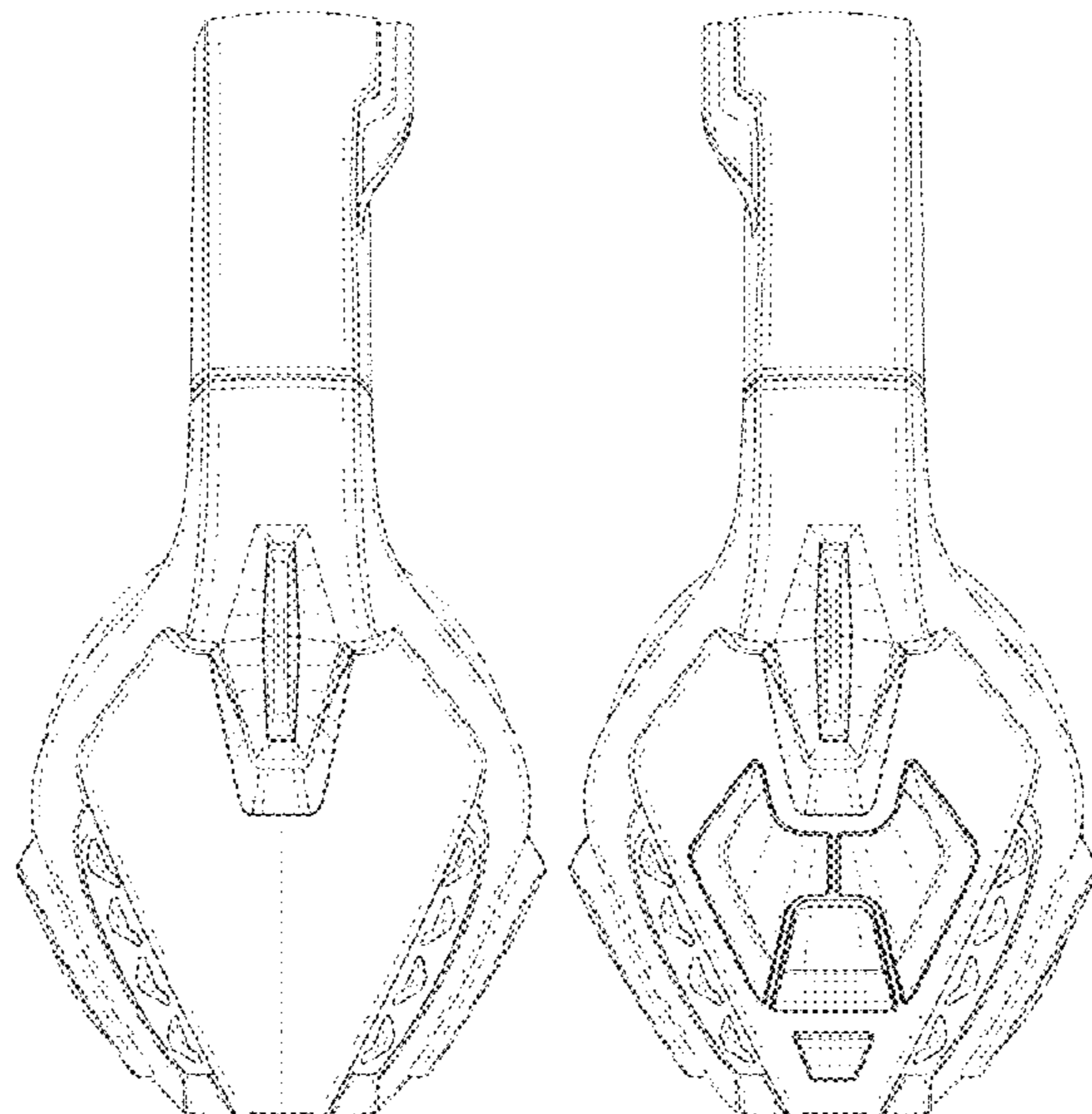
(57) **CLAIM**

The ornamental design for earphone, as shown and described.

**DESCRIPTION**

FIG. 1 is a front elevational view thereof;  
FIG. 2 is a rear elevational view thereof;  
FIG. 3 is a left side view thereof;  
FIG. 4 is a right side view thereof;  
FIG. 5 is a top plan view thereof.  
FIG. 6 is a bottom plan view thereof; and,  
FIG. 7 is a perspective view of a earphone showing my new design.  
The broken lines to the earphone form no part of the claimed design

**1 Claim, 6 Drawing Sheets**



(56)

**References Cited**

U.S. PATENT DOCUMENTS

D866,515	S	*	11/2019	Long	.....	D14/206
D870,696	S	*	12/2019	Deng	.....	D14/206
D870,698	S	*	12/2019	Long	.....	D14/206
D876,392	S	*	2/2020	Zhou	.....	D14/206
D883,950	S	*	5/2020	Liu	.....	D14/206
D890,131	S	*	7/2020	Shen	.....	D14/206
D894,869	S	*	9/2020	Tang	.....	D14/206
D904,339	S	*	12/2020	Wang	.....	D14/205
D908,110	S	*	1/2021	Zhou	.....	D14/206
D909,337	S	*	2/2021	Liu	.....	D14/206
D916,681	S	*	4/2021	He	.....	D14/206
D931,831	S	*	9/2021	Liu	.....	D14/206
D935,439	S	*	11/2021	Zheng	.....	D14/206
D935,442	S	*	11/2021	Liu	.....	D14/206
D941,802	S	*	1/2022	He	.....	D14/206
D941,803	S	*	1/2022	He	.....	D14/206
D945,394	S	*	3/2022	Zhu	.....	D14/206
D946,551	S	*	3/2022	Liu	.....	D14/205
2010/0040252	A1	*	2/2010	Thompson	.....	H04R 1/083 381/375
2011/0135134	A1	*	6/2011	Essabar	.....	H04R 1/1033 381/374
2011/0194721	A1	*	8/2011	Schmidt	.....	H04R 1/1066 381/370
2020/0288234	A1	*	9/2020	Fletcher	.....	H04R 1/1066

FOREIGN PATENT DOCUMENTS

EM	008552897-0001	*	5/2021
GB	9004662682-0003	*	1/2018
GB	6125012	*	3/2021

\* cited by examiner



FIG.1



FIG.2

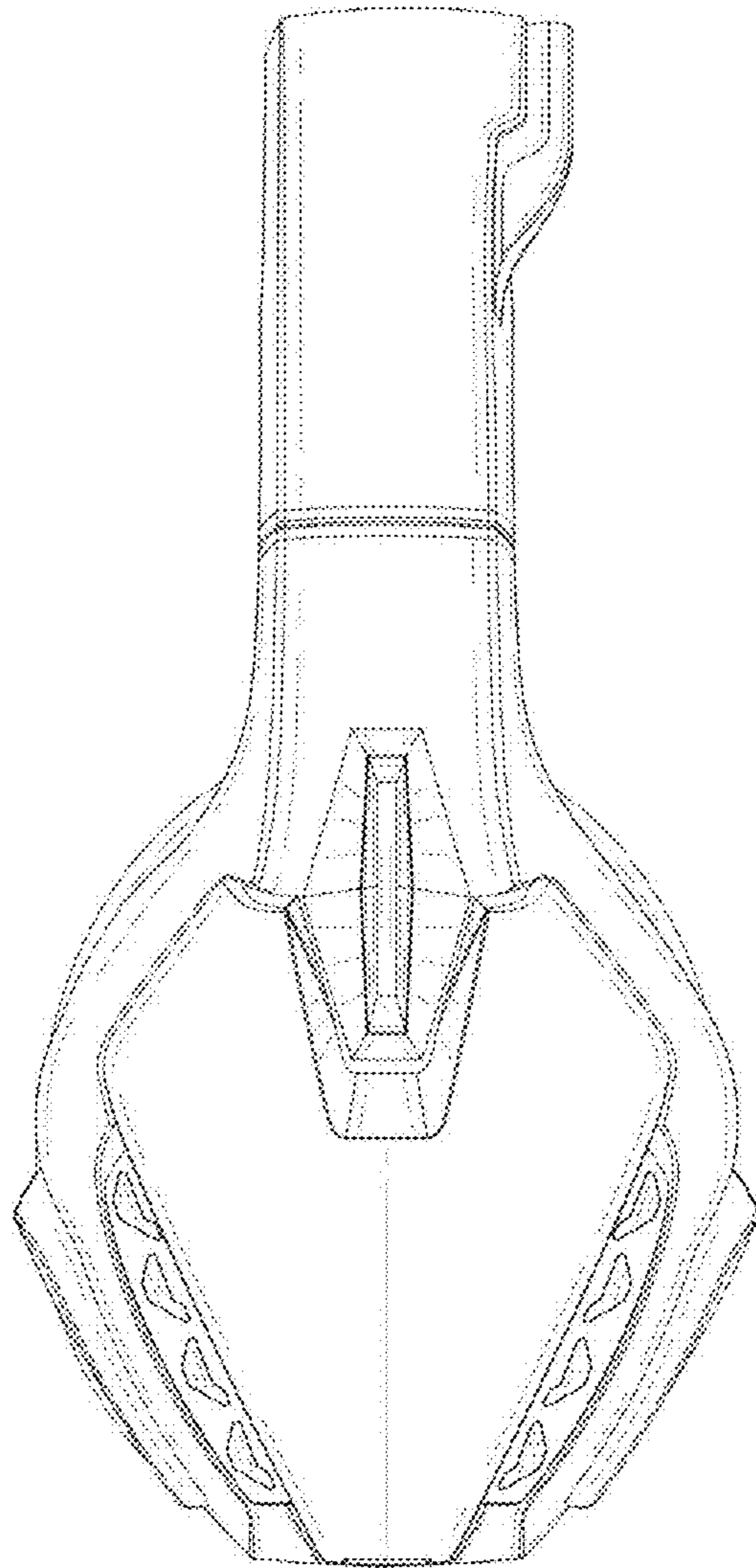


FIG.3

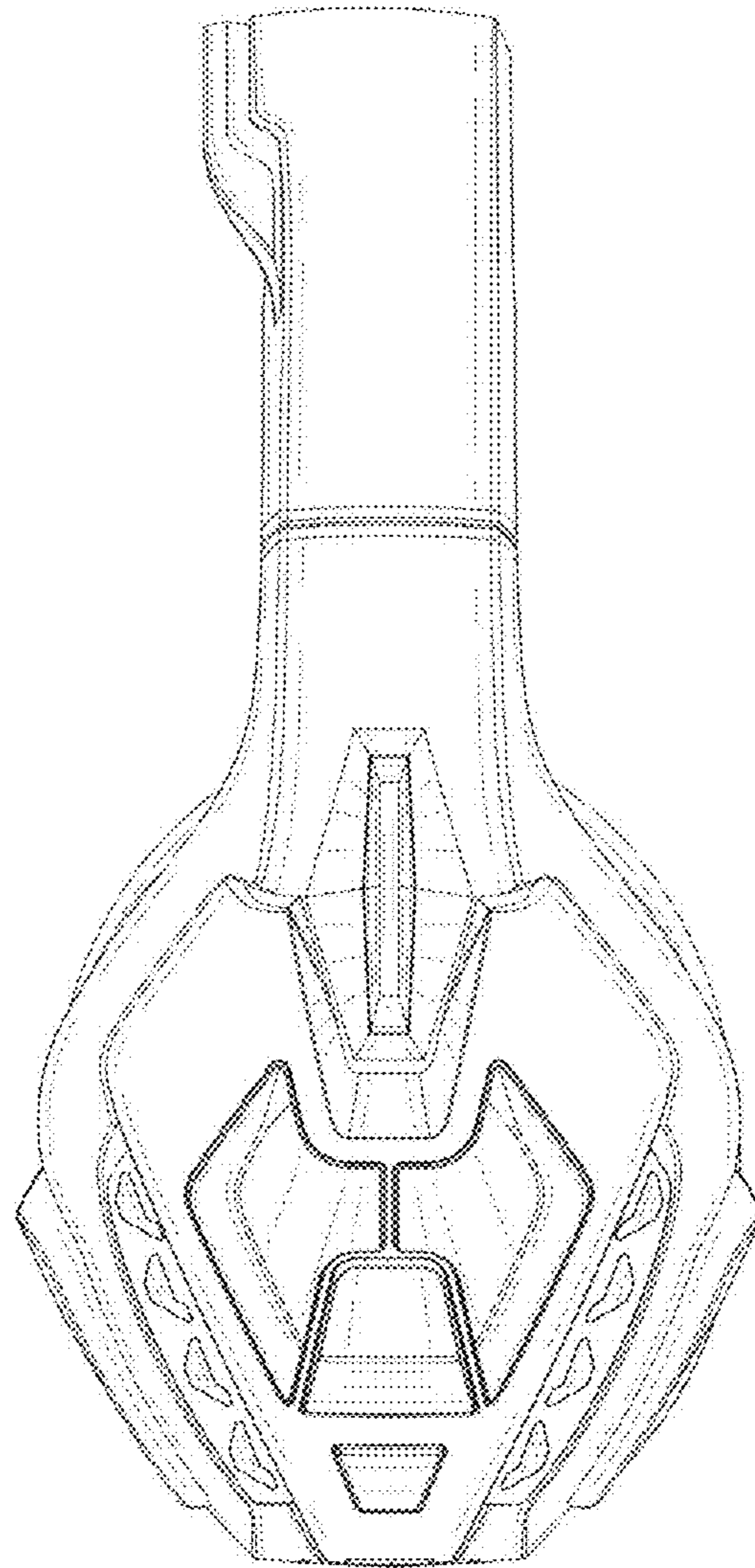


FIG.4

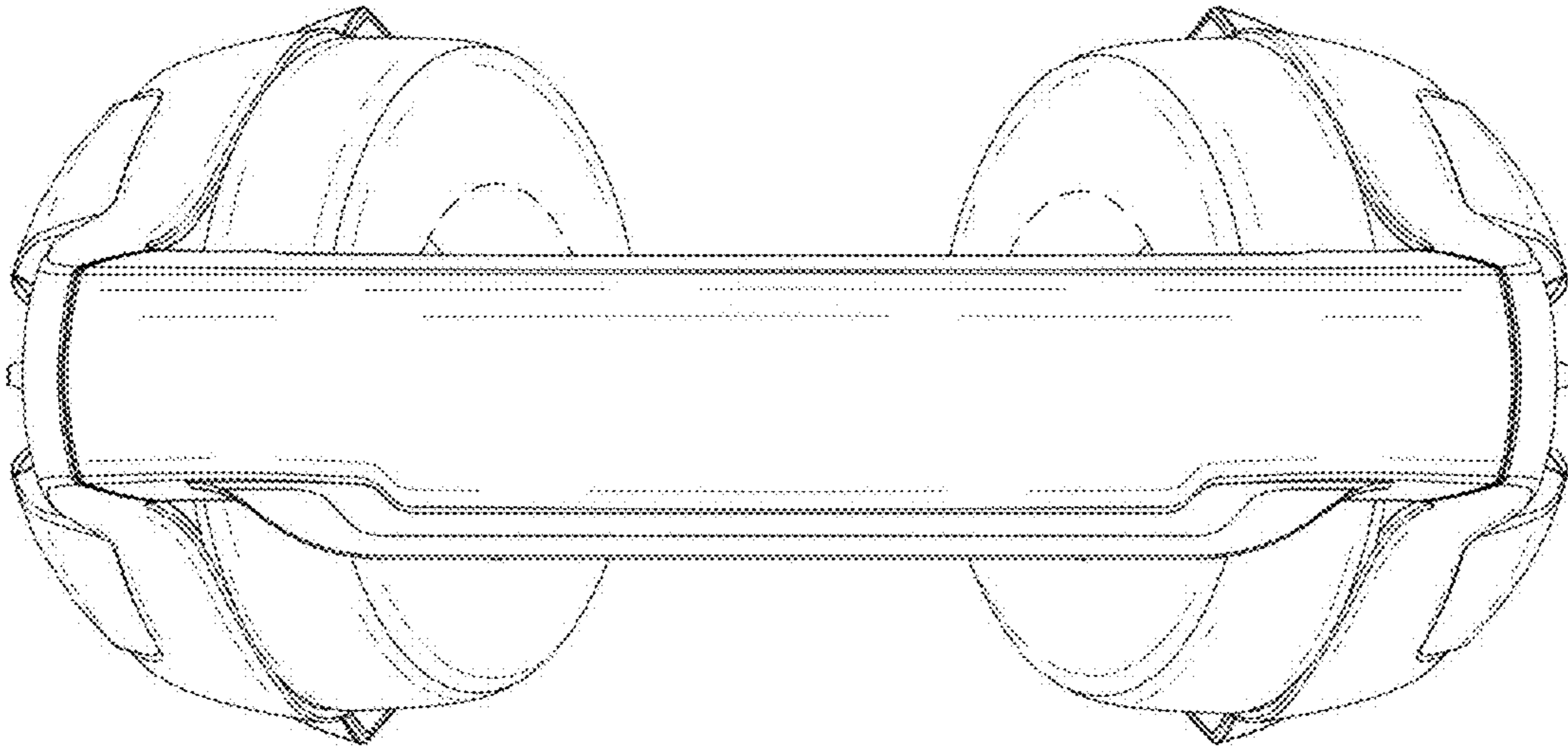


FIG. 5

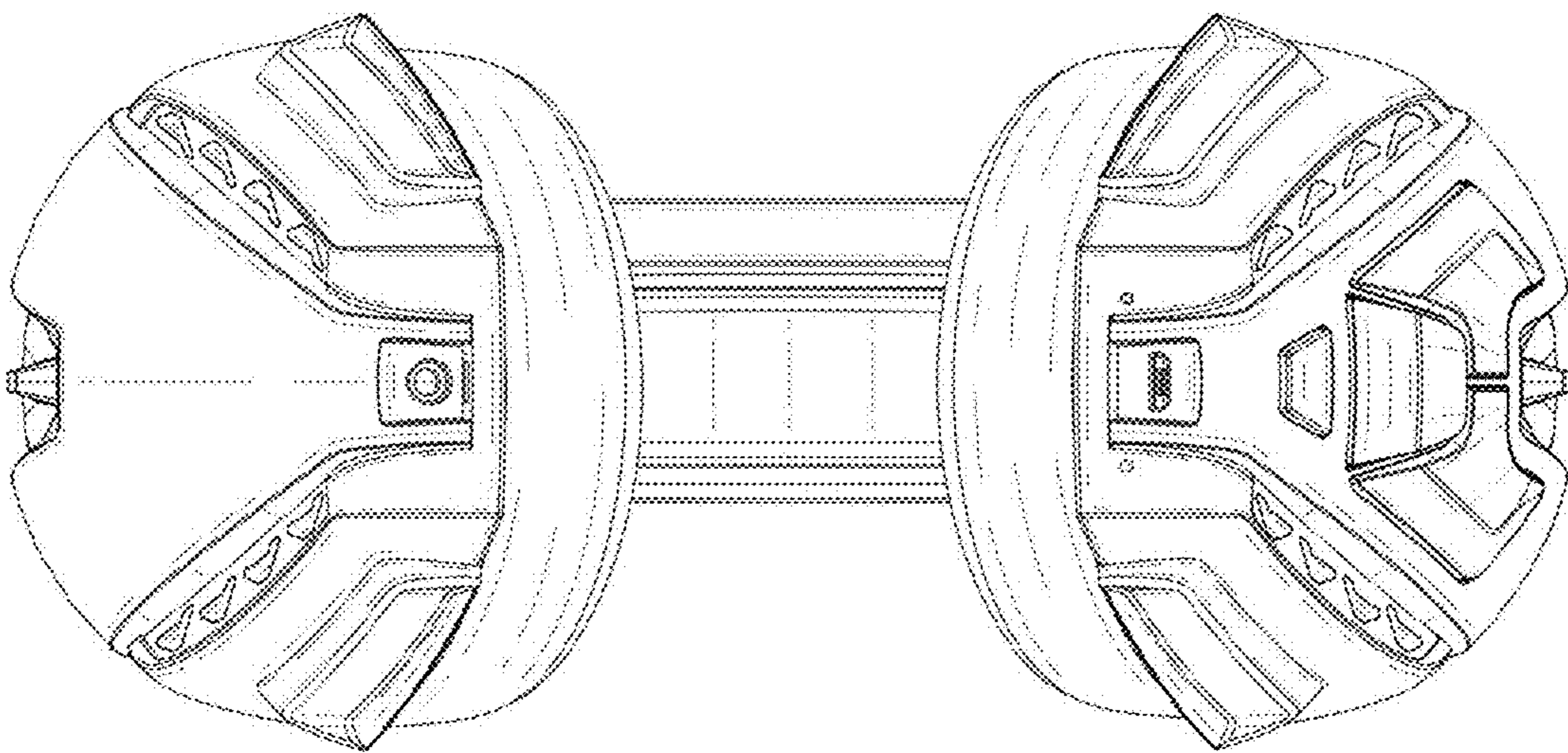


FIG. 6

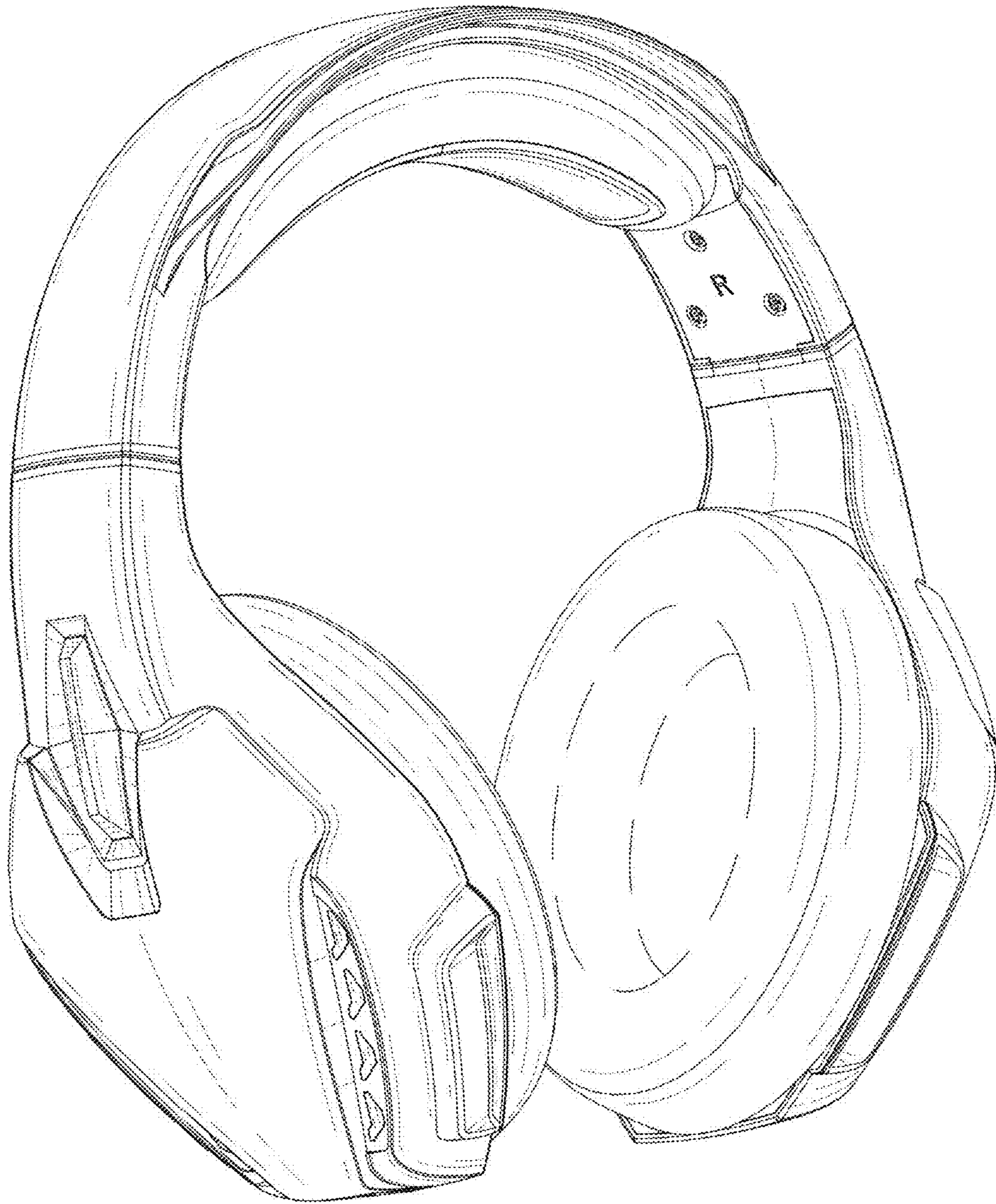


FIG.7